



US00D466598S

(12) **United States Design Patent**  
**Shih-Ying**

(10) **Patent No.:** **US D466,598 S**

(45) **Date of Patent:** **\*\* Dec. 3, 2002**

(54) **CERAMIC FAN HEATER**

(76) Inventor: **Huang Shih-Ying**, 518108 4<sup>th</sup>  
Industrial Zone, Shiyan Town, Baoan  
District, Shenzhen (CN)

(\*\*) Term: **14 Years**

(21) Appl. No.: **29/153,644**

(22) Filed: **Jan. 10, 2002**

(51) **LOC (7) Cl.** ..... **23-03**

(52) **U.S. Cl.** ..... **D23/335**

(58) **Field of Search** ..... D23/314, 328,  
D23/332, 335-341, 378; 126/90 A, 92 A,  
92 B, 92 AC; 312/236; 392/365-9, 375-6,  
352, 434

(56) **References Cited**

**U.S. PATENT DOCUMENTS**

D246,253 S	*	11/1977	Schade	.....	D23/335
D246,254 S	*	11/1977	Schade	.....	D23/335
D328,336 S	*	7/1992	Bertrand	.....	D23/335
5,245,692 A	*	9/1993	Kawai	.....	392/367
D372,523 S	*	8/1996	Radtke, Jr.	.....	D23/328

\* cited by examiner

*Primary Examiner*—B. J. Bullock

(74) *Attorney, Agent, or Firm*—Lackenbach Siegel, LLP

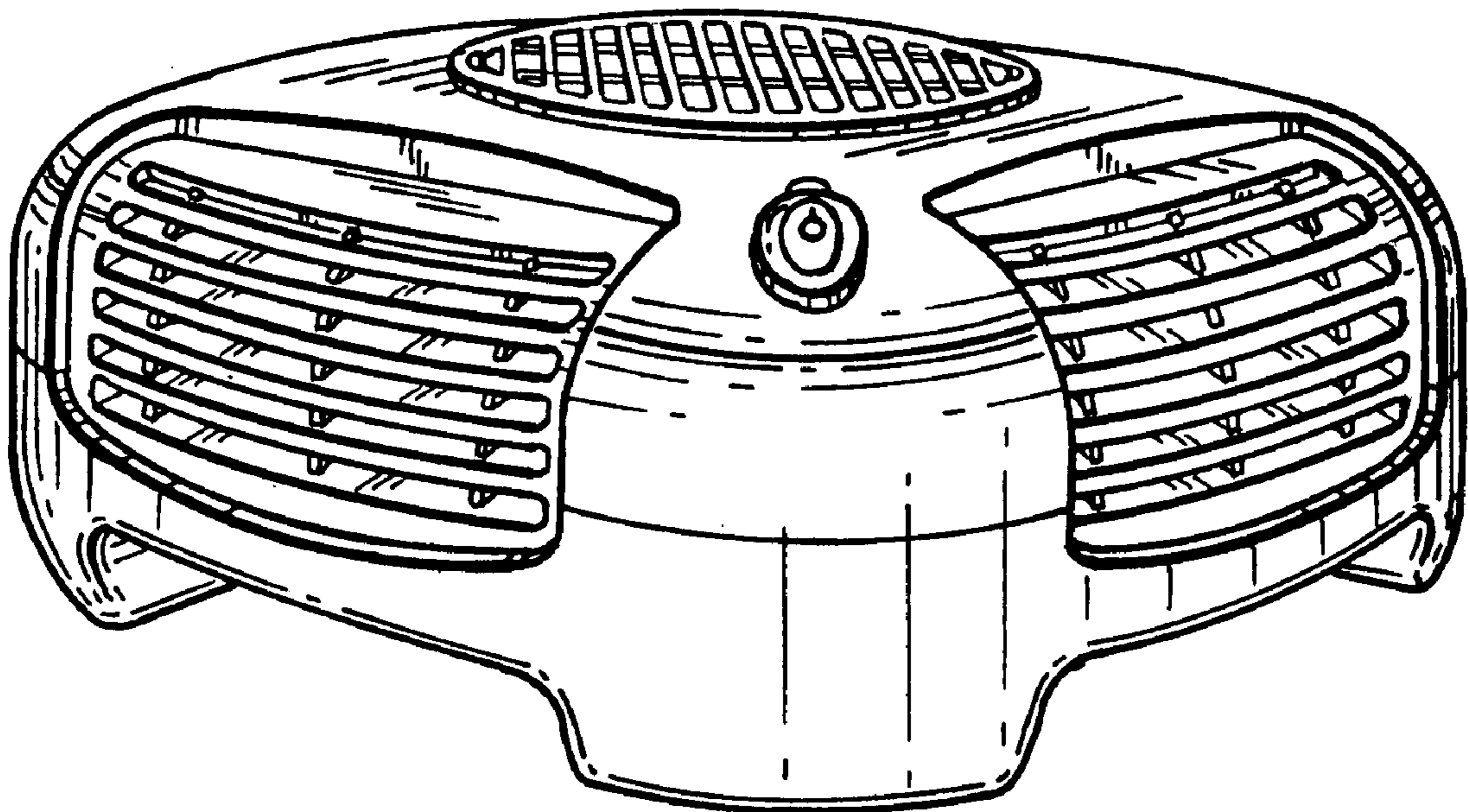
(57) **CLAIM**

The ornamental design for a ceramic fan heater, as shown and described.

**DESCRIPTION**

FIG. 1 is a perspective view of a ceramic fan heater showing my new design;  
 FIG. 2 is a top view of a ceramic fan heater of FIG. 1;  
 FIG. 3 is a front side view of the ceramic fan heater of FIG. 1;  
 FIG. 4 is a right side view of the ceramic fan heater of FIG. 1;  
 FIG. 5 is a back side view of the ceramic fan heater of FIG. 1;  
 FIG. 6 is a left side view of the ceramic fan heater of FIG. 1; and,  
 FIG. 7 is a bottom side view of the ceramic fan heater of FIG. 1.  
 FIGS. 2-7 are shown on an enlarged scale.  
 FIGS. 2-7 are shown on an enlarged scale.

**1 Claim, 3 Drawing Sheets**



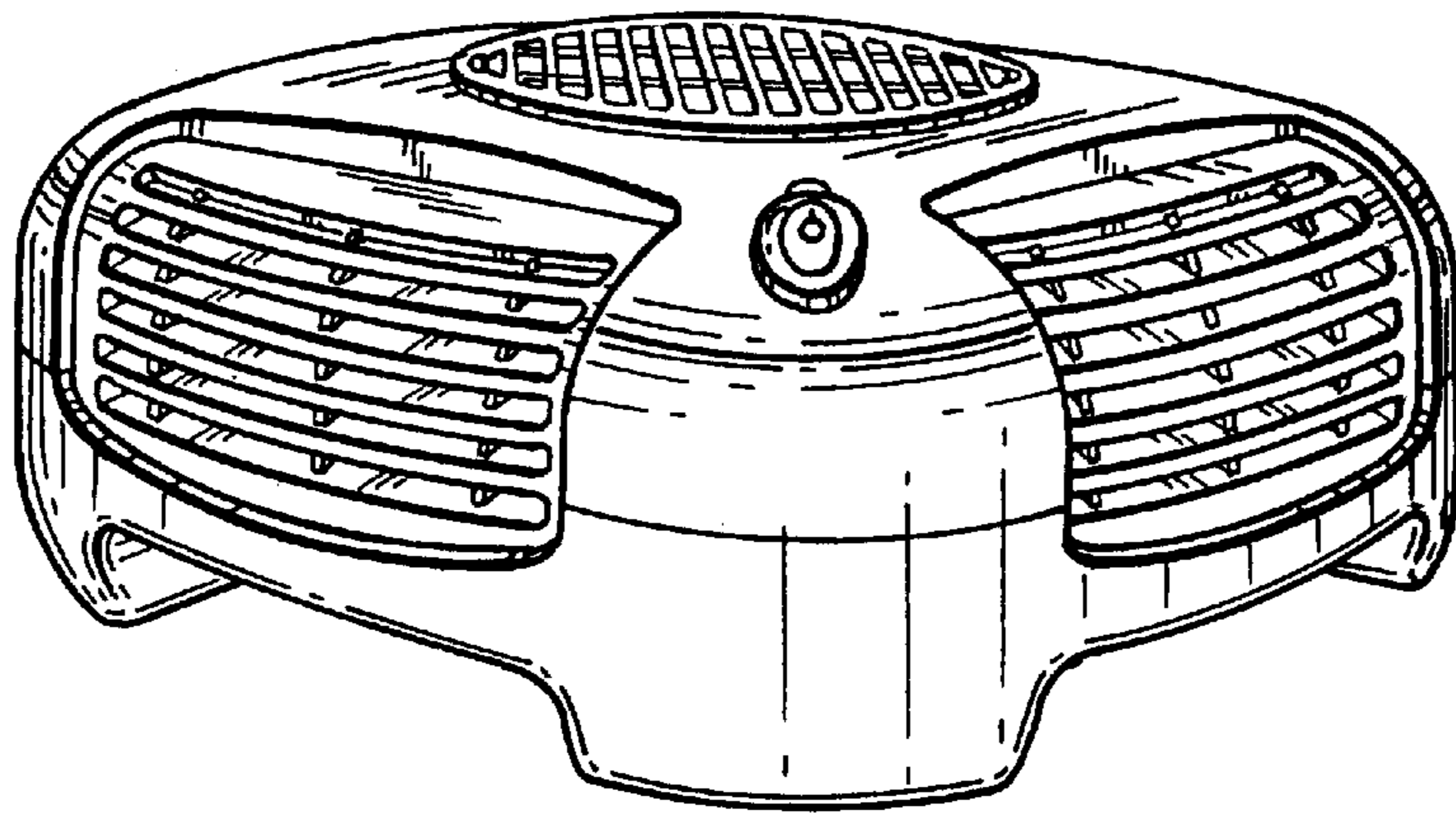


FIG. 1

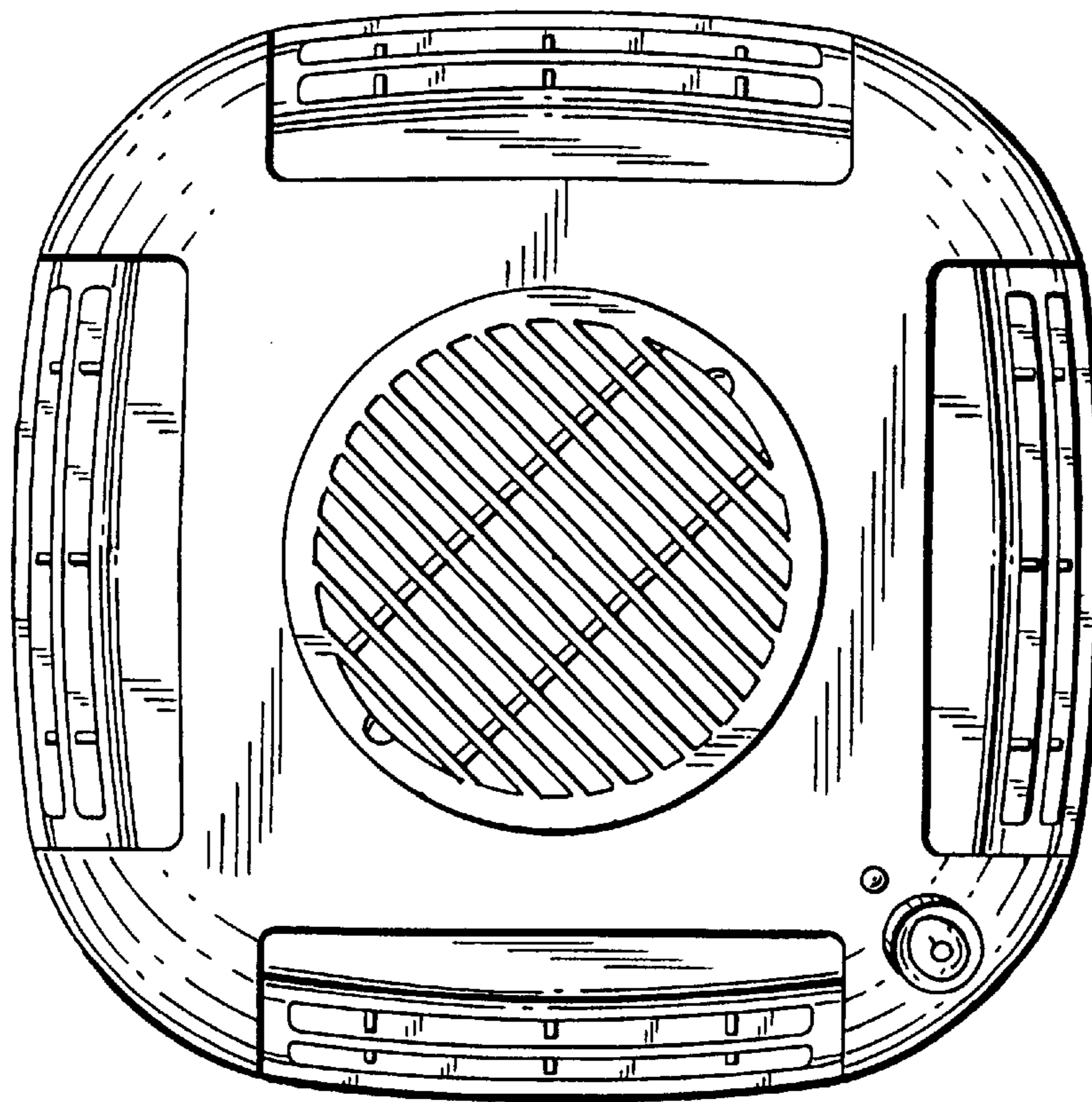


FIG. 2

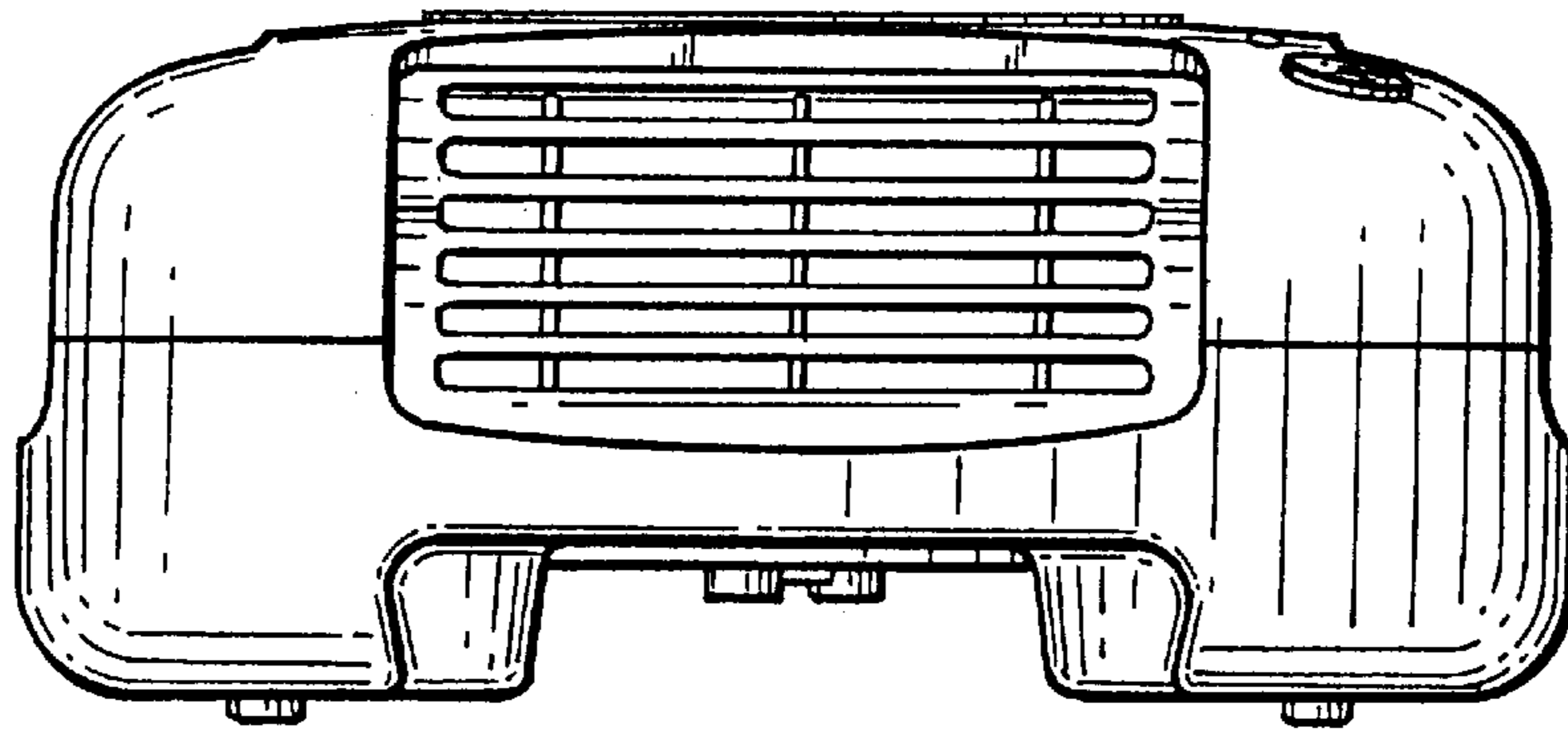


FIG. 3

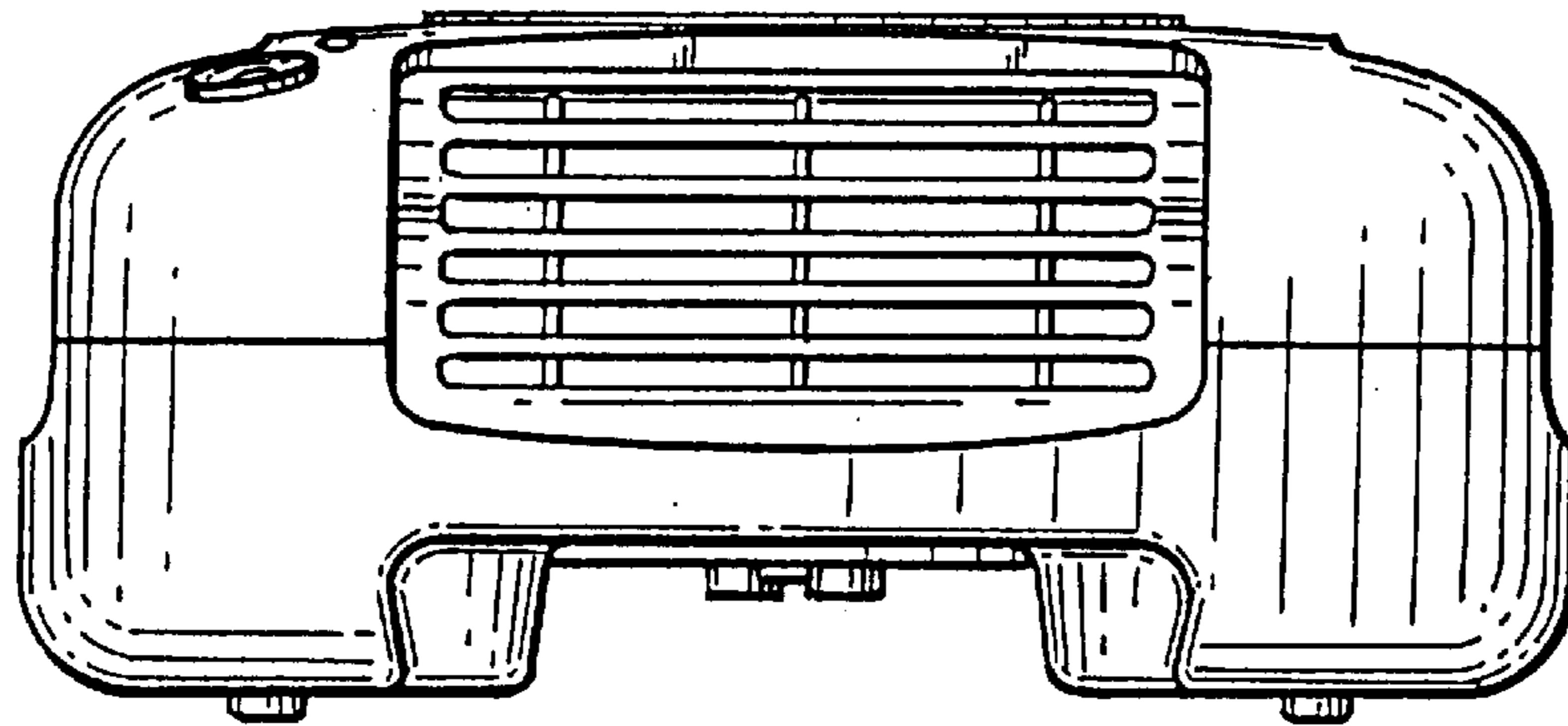


FIG. 4

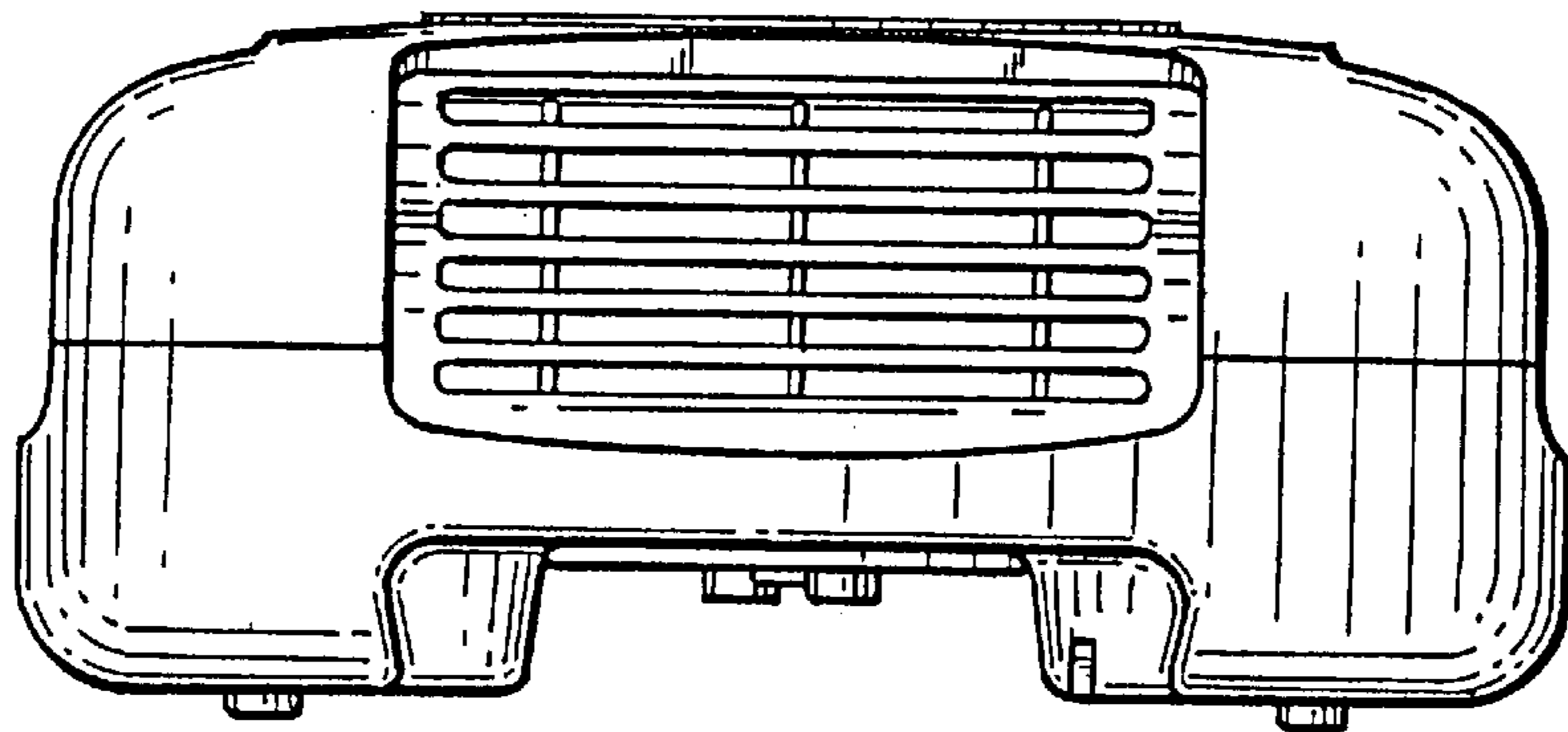


FIG. 5



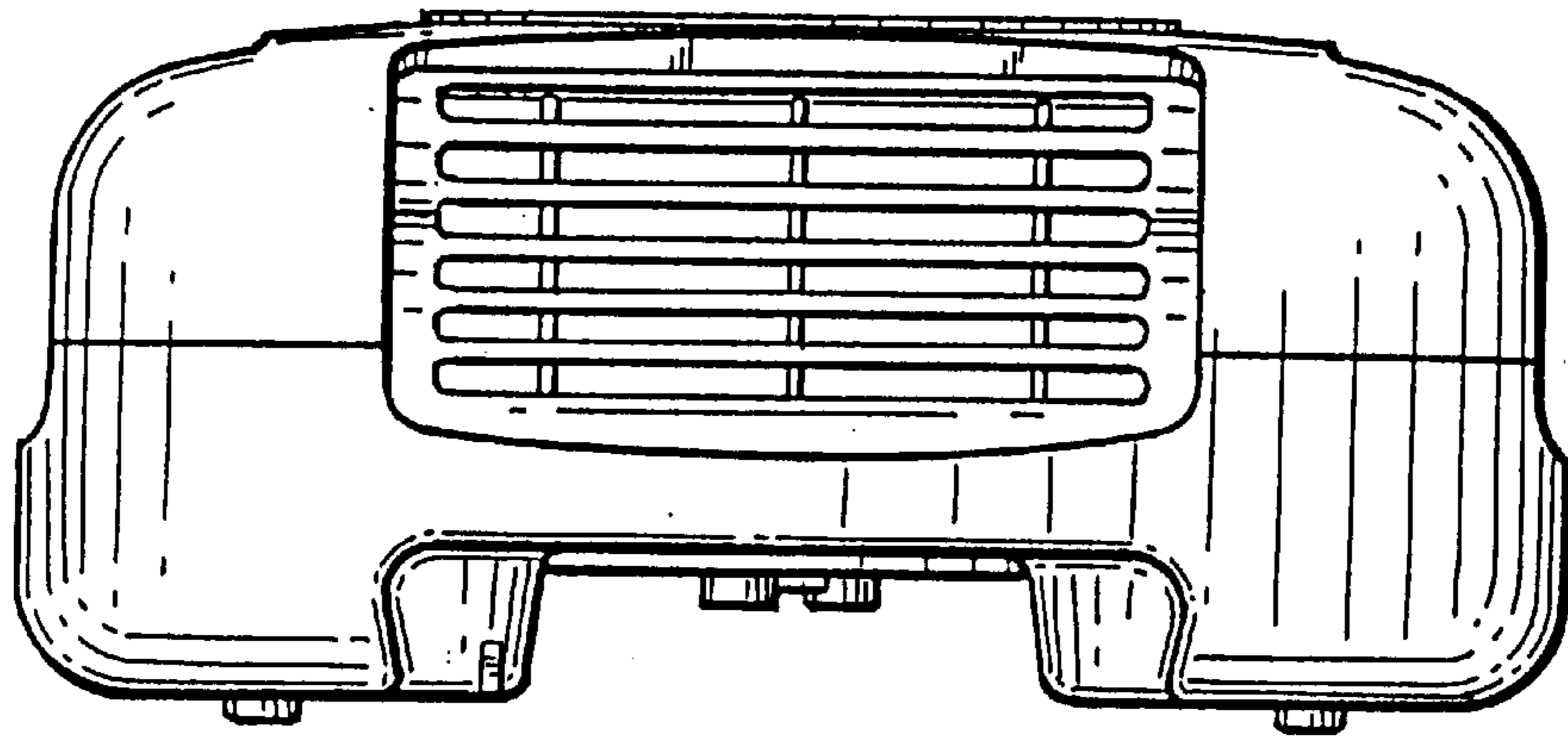


FIG. 6

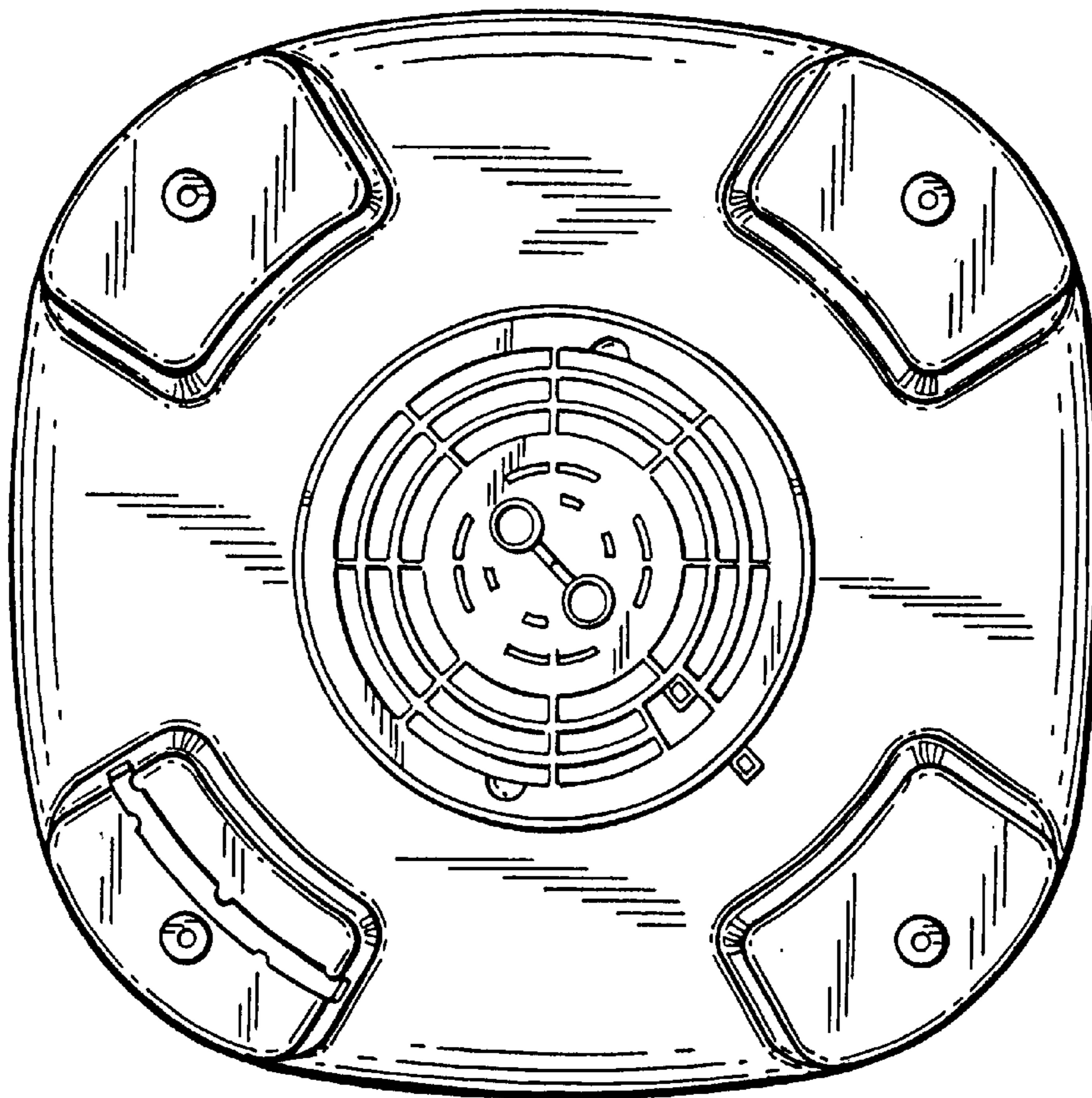


FIG. 7