



US00D466596S

(12) **United States Design Patent**
Stegmeier, Sr. et al.

(10) **Patent No.:** **US D466,596 S**

(45) **Date of Patent:** **** Dec. 3, 2002**

(54) **DECK DRAIN**

(76) Inventors: **William J. Stegmeier, Sr.**, 1111 W. Harris Rd., Arlington, TX (US) 76001;
William J. Stegmeier, Jr., 1111 W. Harris Rd., Arlington, TX (US) 76001

(**) Term: **14 Years**

(21) Appl. No.: **29/152,733**

(22) Filed: **Dec. 19, 2001**

(51) **LOC (7) Cl.** **23-01**

(52) **U.S. Cl.** **D23/267; D23/261; D25/122**

(58) **Field of Search** **D23/267; D25/119, D25/122; 405/119; 4/510, 286, 287, 292; 404/2, 4; 52/11, 12, 302.3**

(56) **References Cited**

U.S. PATENT DOCUMENTS

3,876,322	A	*	4/1975	Deason	404/2
4,490,067	A		12/1984	Dahowski		
4,621,939	A	*	11/1986	Thomann et al.	404/4
4,815,888	A	*	3/1989	Stegmeier	404/4
5,340,234	A	*	8/1994	Rossi et al.	405/119
D377,389	S	*	1/1997	Phillips et al.	D23/261
5,803,662	A	*	9/1998	Gunter	405/119
6,000,881	A		12/1999	Becker et al.		

OTHER PUBLICATIONS

Quaker Plastic Corp.; product catalog, p. 11 (no date).
Mortex Mfg. Co., Inc.; Drain Rite brand promotional literature (no date).
D.F.C. Company; Deck-O-Drain Mark III(R) promotional literature (no date).
NDS; Micro Channel brand promotional literature.

* cited by examiner

Primary Examiner—Robin V. Taylor

(74) *Attorney, Agent, or Firm*—Jeffrey T. Hubbard; Kelly & Hubbard

(57) **CLAIM**

The ornamental design for a deck drain, as shown and described.

DESCRIPTION

FIG. 1 is a perspective view of a deck drain showing the new design wherein the deck drain is an elongated conduit of indefinite length.

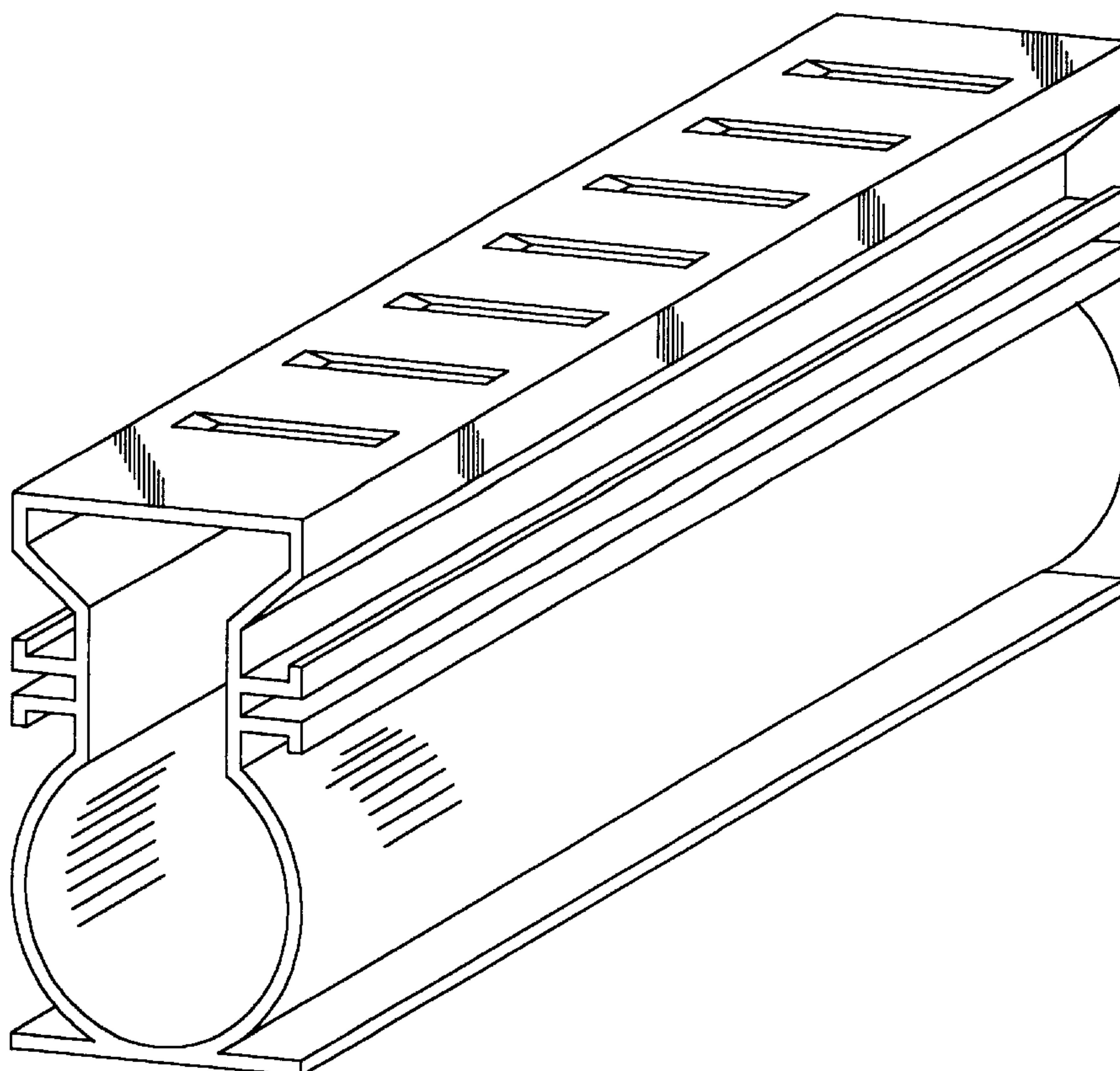
FIG. 2 is a top plan view thereof.

FIG. 3 is a front elevation of the design of FIG. 1, the rear elevation being the mirror image thereof.

FIG. 4 is a right side elevation of the design of FIG. 1, the left side elevation being the mirror image thereof; and,

FIG. 5 is a bottom plan view thereof.

1 Claim, 2 Drawing Sheets



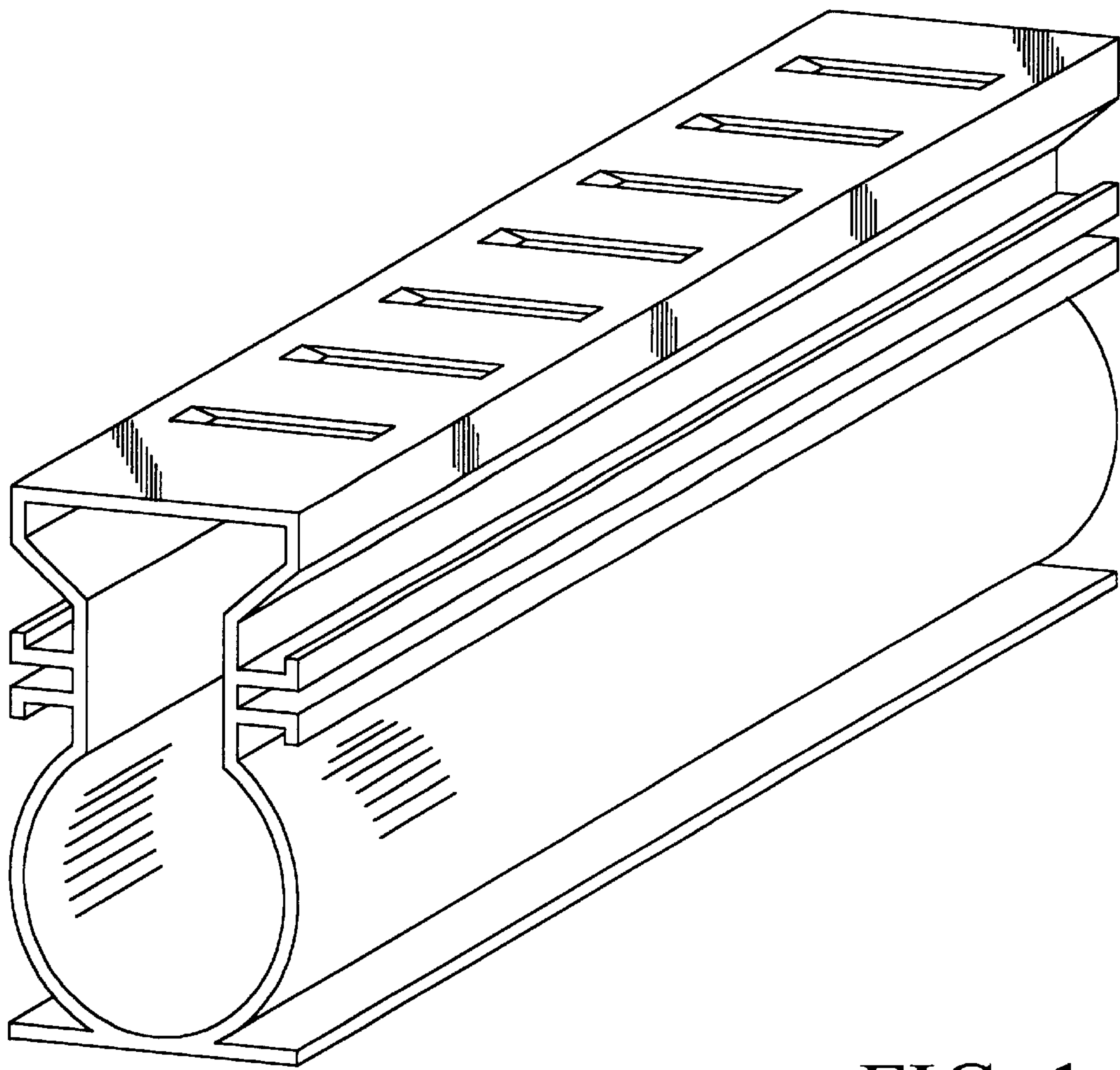


FIG. 1

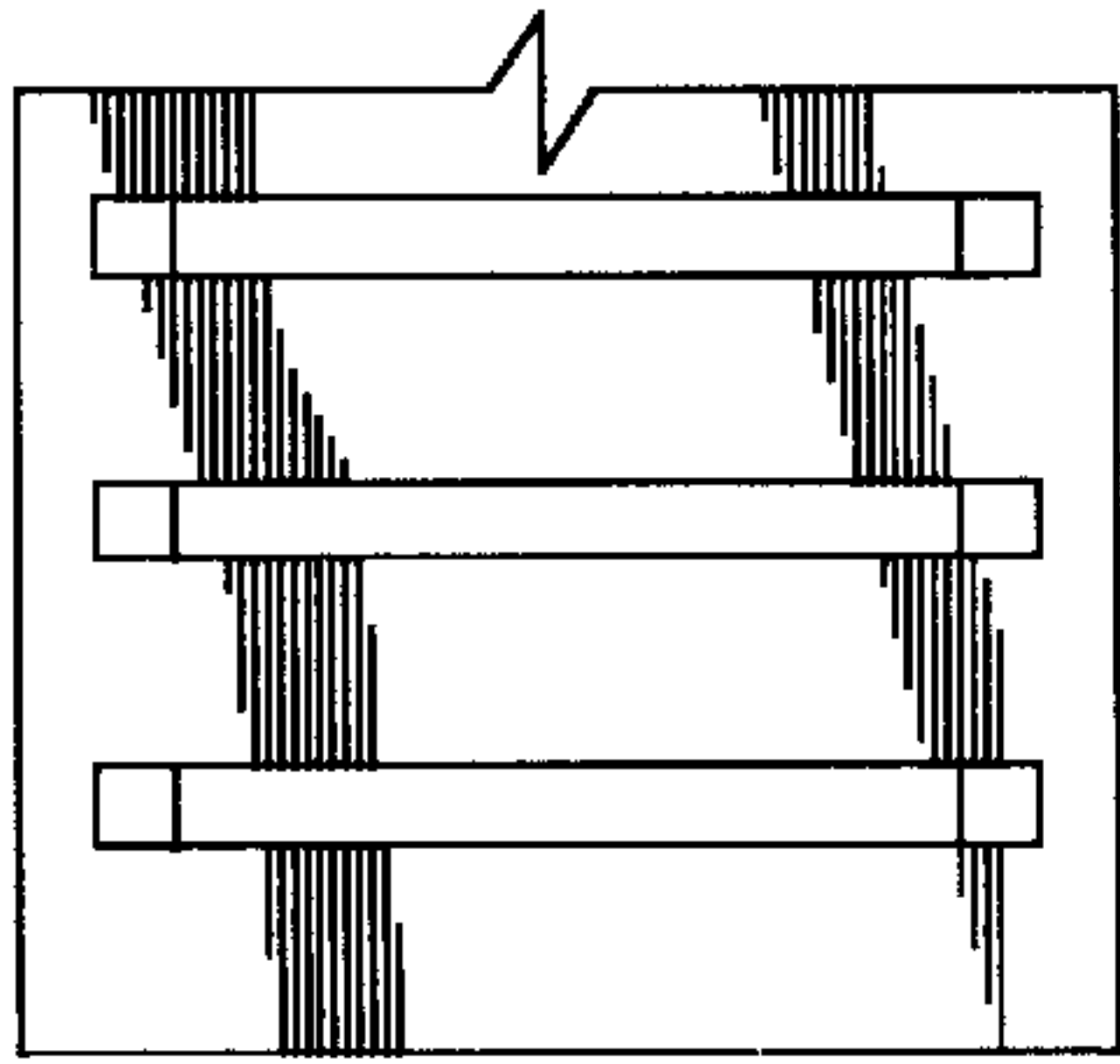


FIG. 2

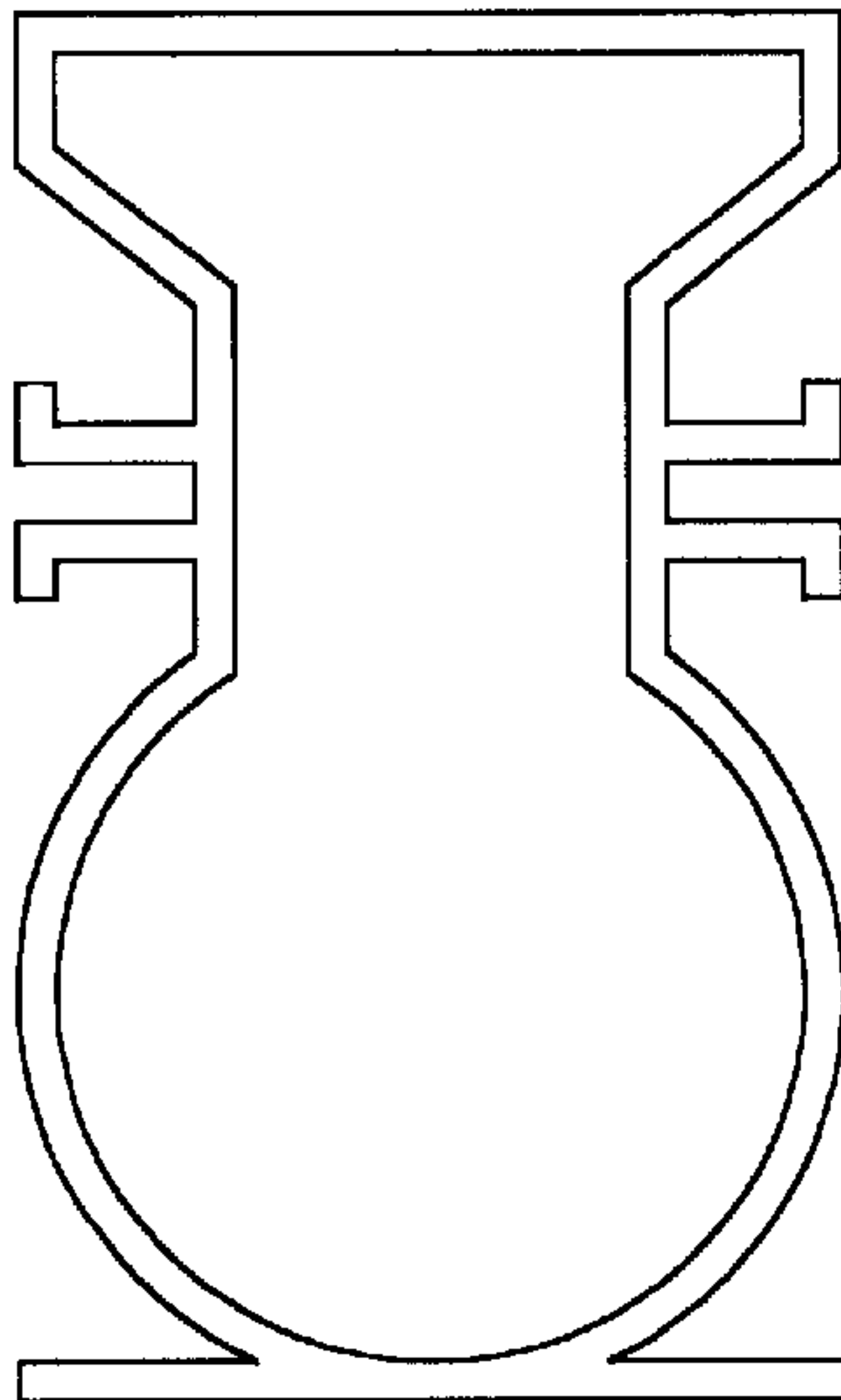


FIG. 3

FIG. 4

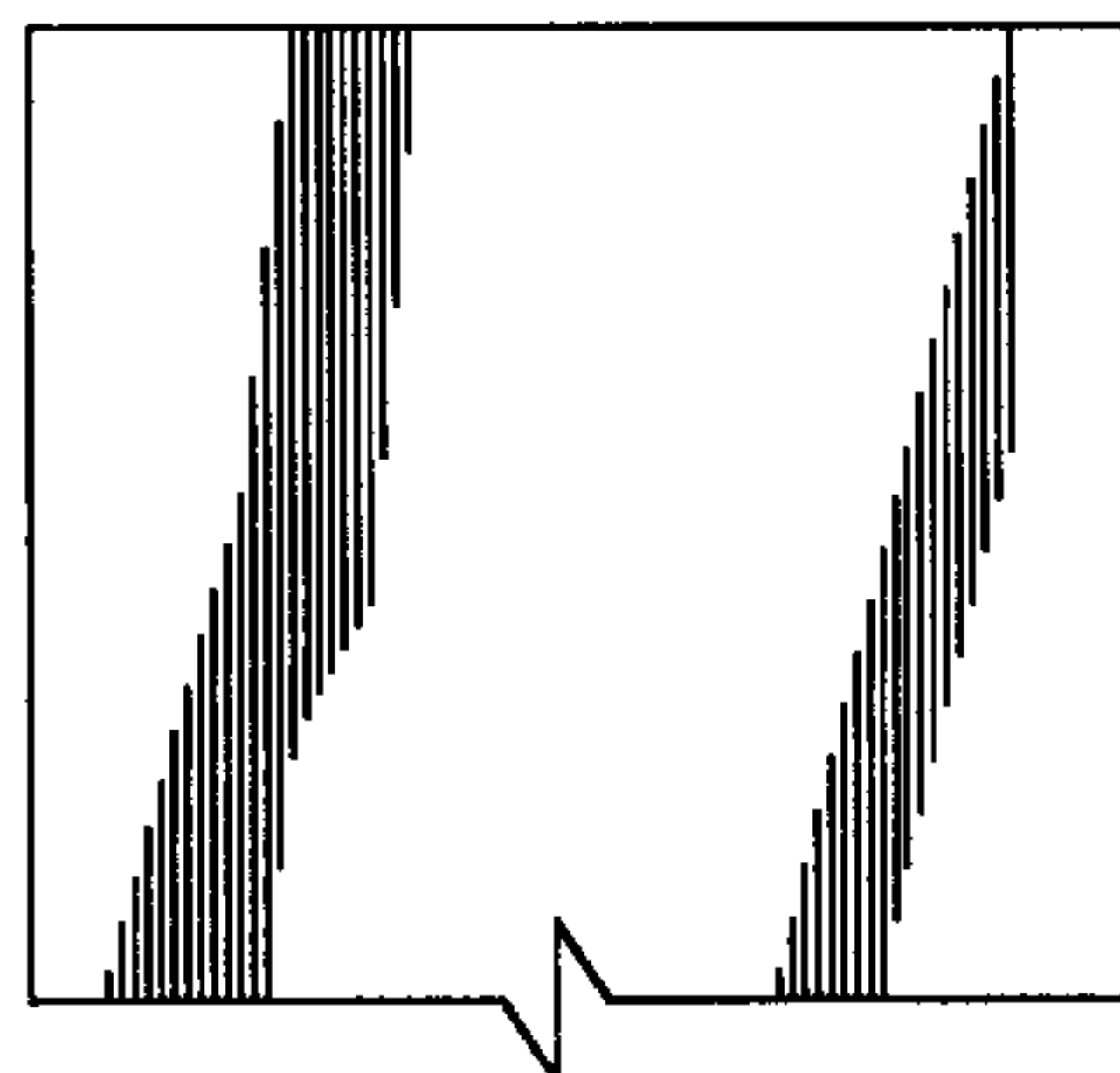
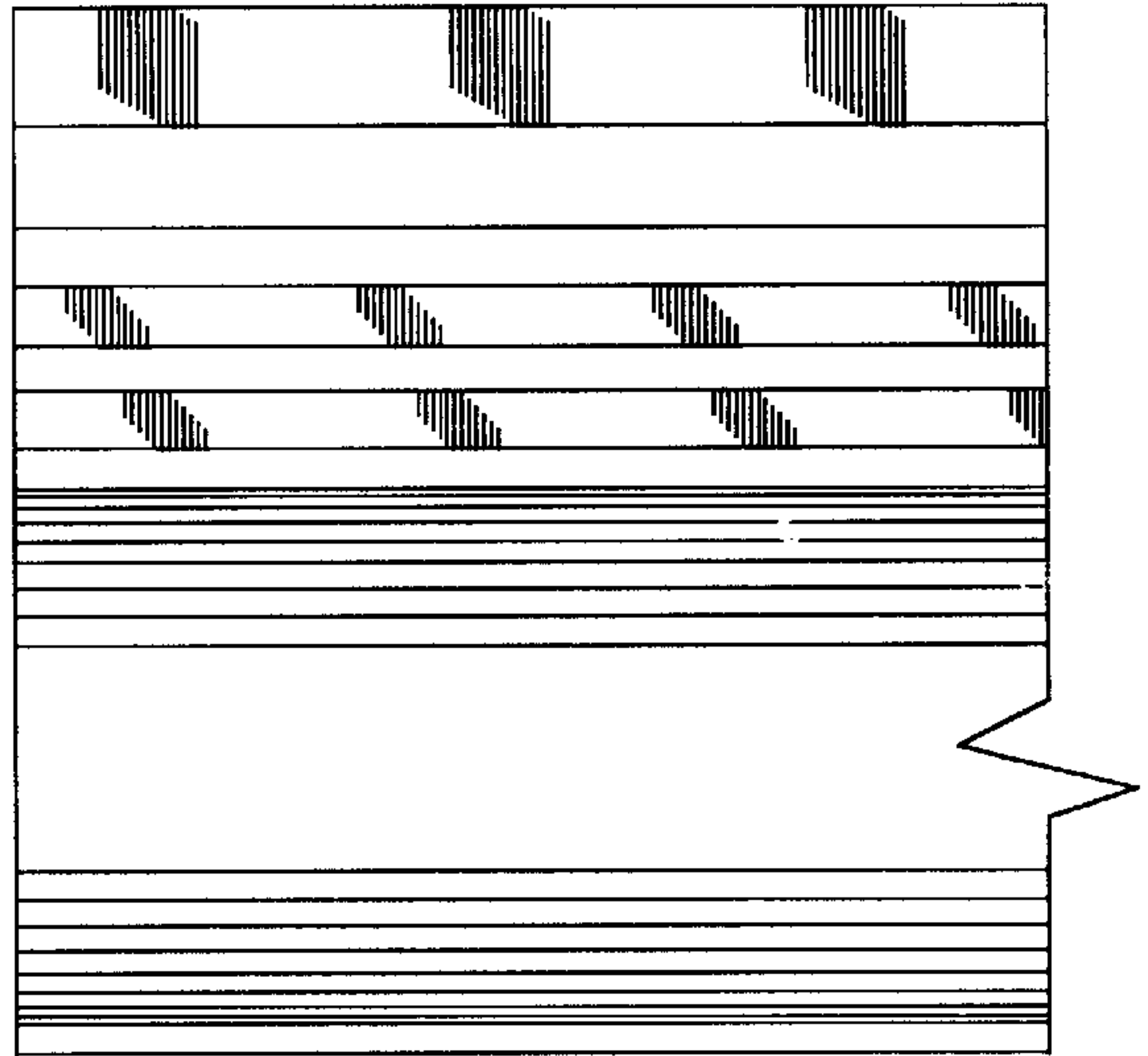


FIG. 5