



US00D466594S

(12) **United States Design Patent** (10) **Patent No.:** **US D466,594 S**
Otero et al. (45) **Date of Patent:** **** Dec. 3, 2002**

(54) **TUB SPOUT**

(75) Inventors: **Federico G. Otero**, Carmel, IN (US);
Judd A. Lord, Carmel, IN (US)

(73) Assignee: **Masco Corporation of Indiana**,
Indianapolis, IN (US)

(**) Term: **14 Years**

(21) Appl. No.: **29/152,004**

(22) Filed: **Dec. 12, 2001**

(51) **LOC (7) Cl.** **23-01**

(52) **U.S. Cl.** **D23/255; D23/257**

(58) **Field of Search** **D23/238, 255,**
D23/257; 4/675, 678; 137/801; 215/175

(56) **References Cited**

U.S. PATENT DOCUMENTS

D218,034 S	*	7/1970	Mongerson et al.	D23/257
D411,874 S	*	7/1999	Ko	D23/255
D424,664 S	*	5/2000	Green et al.	D23/255
6,070,280 A	*	6/2000	Ko	4/678
D428,971 S	*	8/2000	Milrud et al.	D23/255
D442,266 S	*	5/2001	Marinov et al.	D23/257

* cited by examiner

Primary Examiner—Louis S. Zarfaz

Assistant Examiner—Gregory Andoll

(74) *Attorney, Agent, or Firm*—Myron B. Kapustij; Lloyd D. Doigan

(57) **CLAIM**

The ornamental design for a tub spout, as shown and described.

DESCRIPTION

FIG. 1 is a top front perspective view of the tub spout showing our new design;

FIG. 2 is a rear perspective view thereof;

FIG. 3 is a left side elevational view thereof;

FIG. 4 is a top plan view thereof;

FIG. 5 is a right side elevational view thereof;

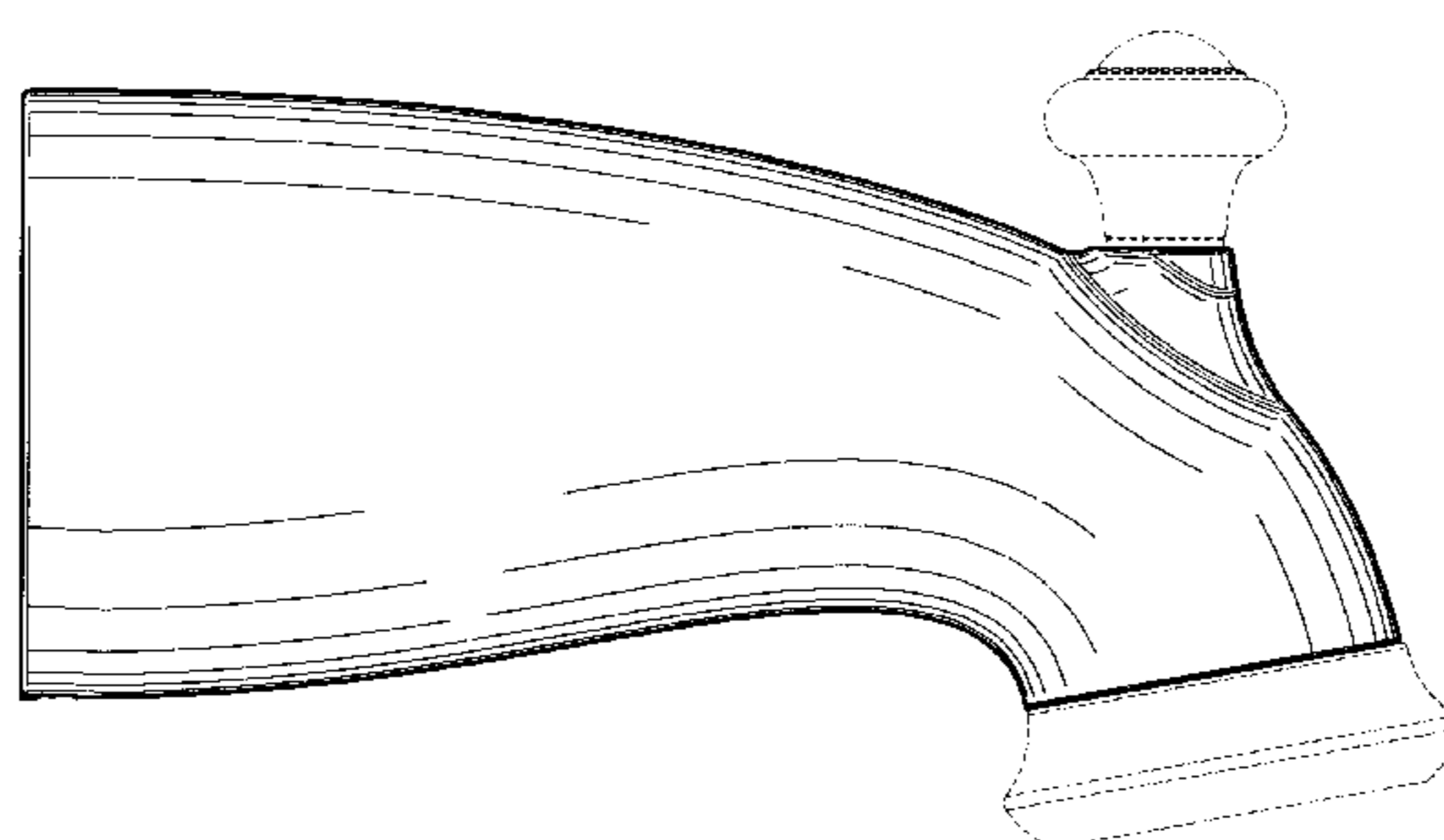
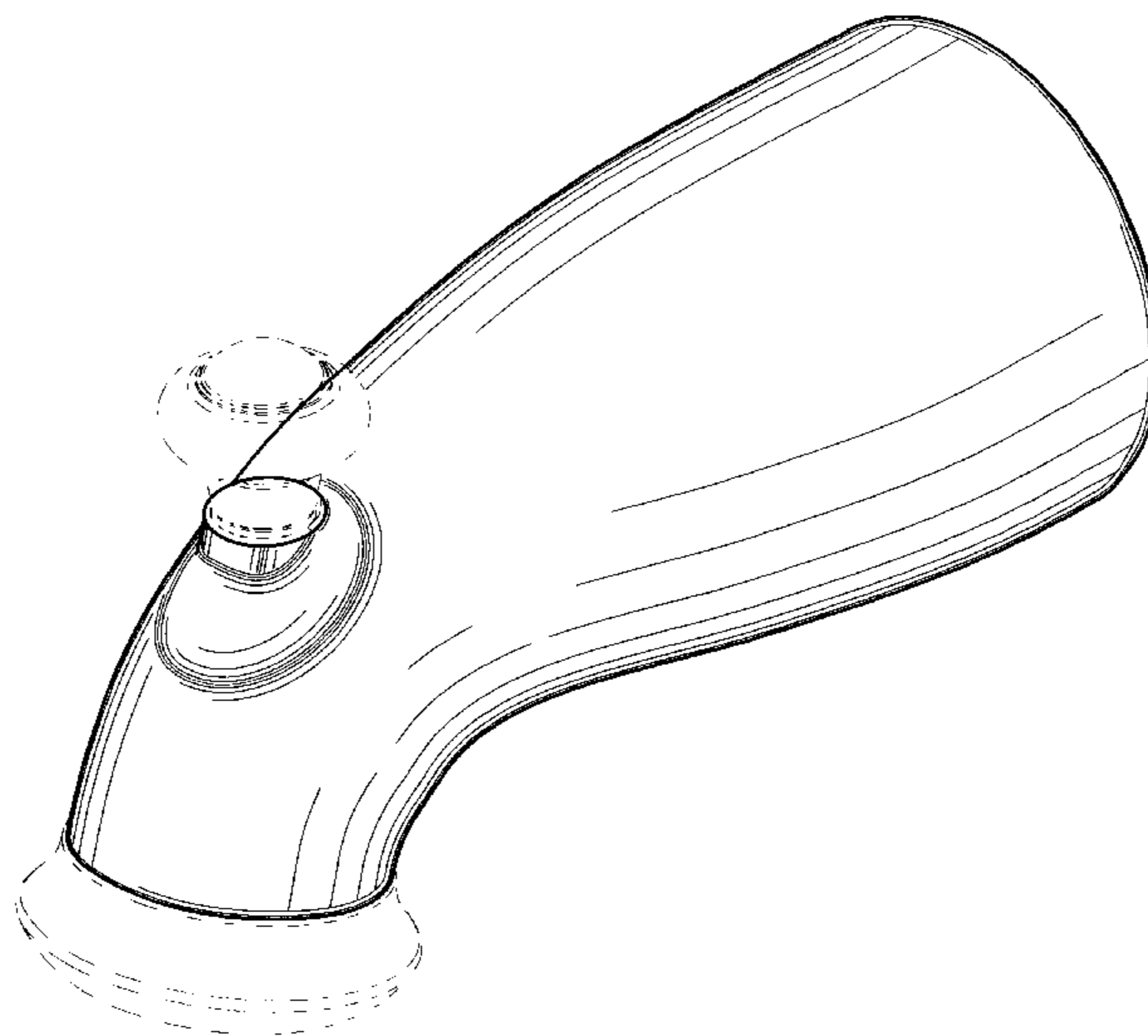
FIG. 6 is a bottom plan view thereof;

FIG. 7 is a front elevational view thereof; and,

FIG. 8 is a rear elevational view thereof.

The broken line showing of the shower selector rod and spout tip in FIGS. 1–8 are for purposes of illustration only and form no part of the claimed design.

1 Claim, 7 Drawing Sheets



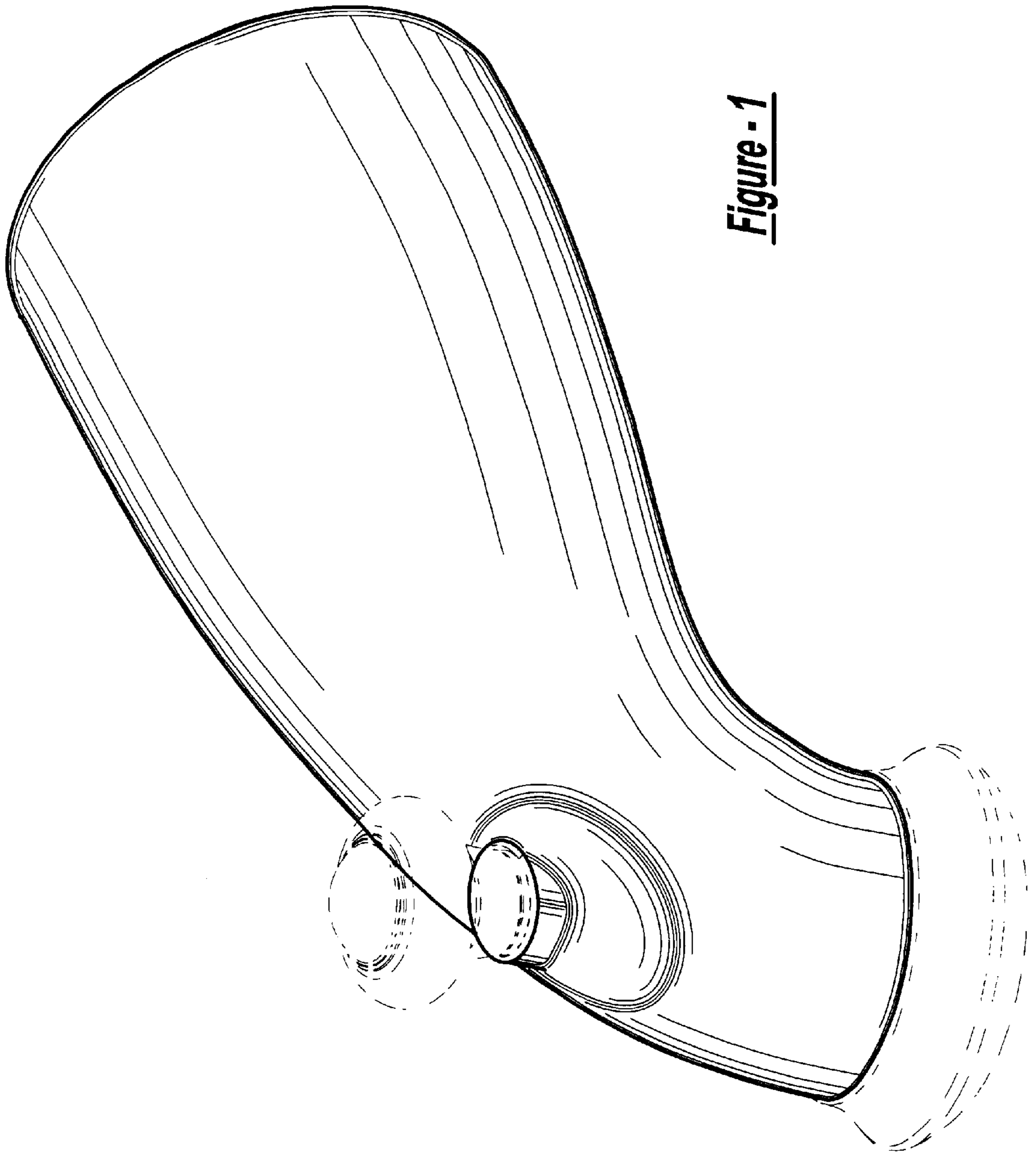


Figure - 1

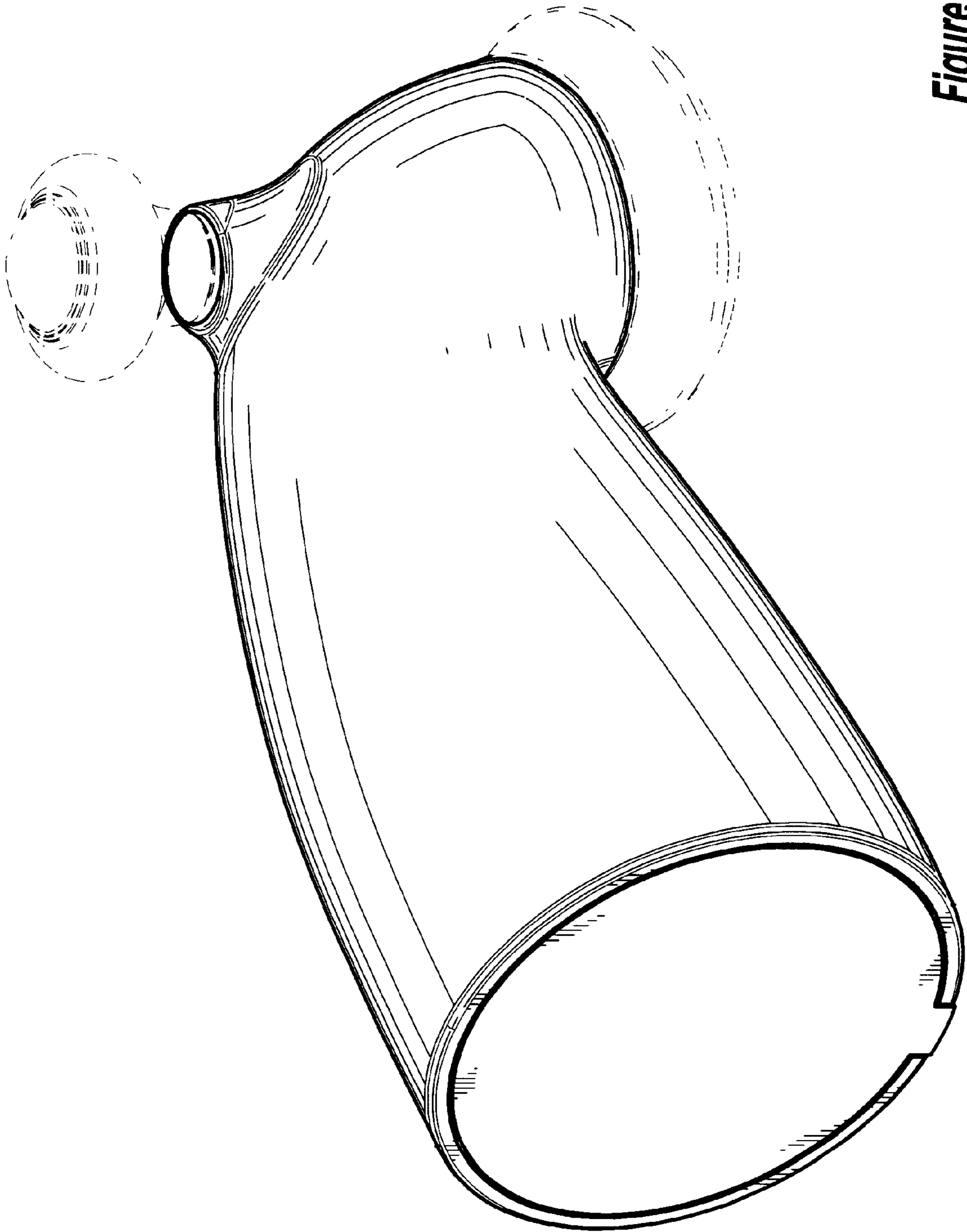


Figure - 2

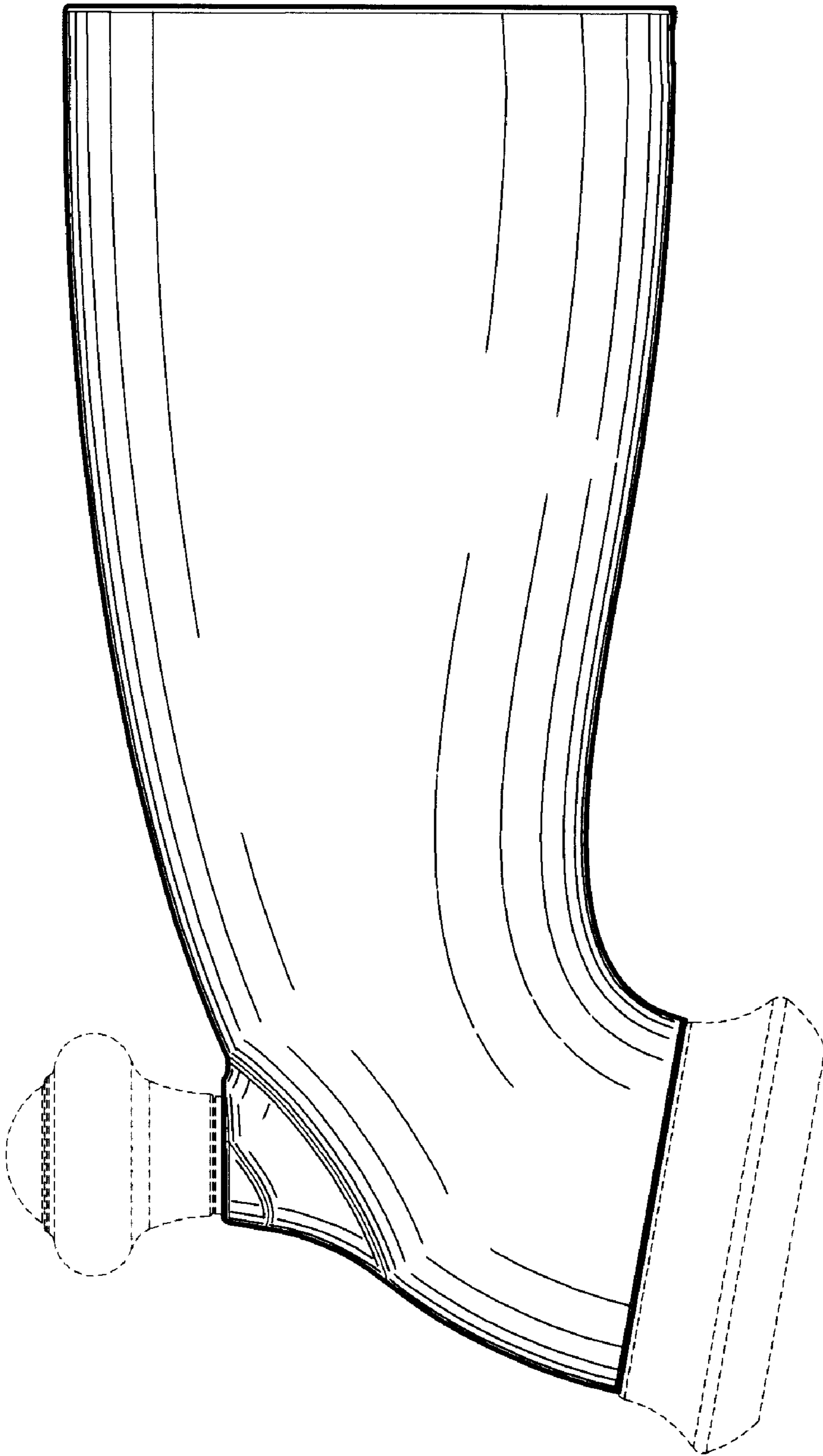


Figure - 3

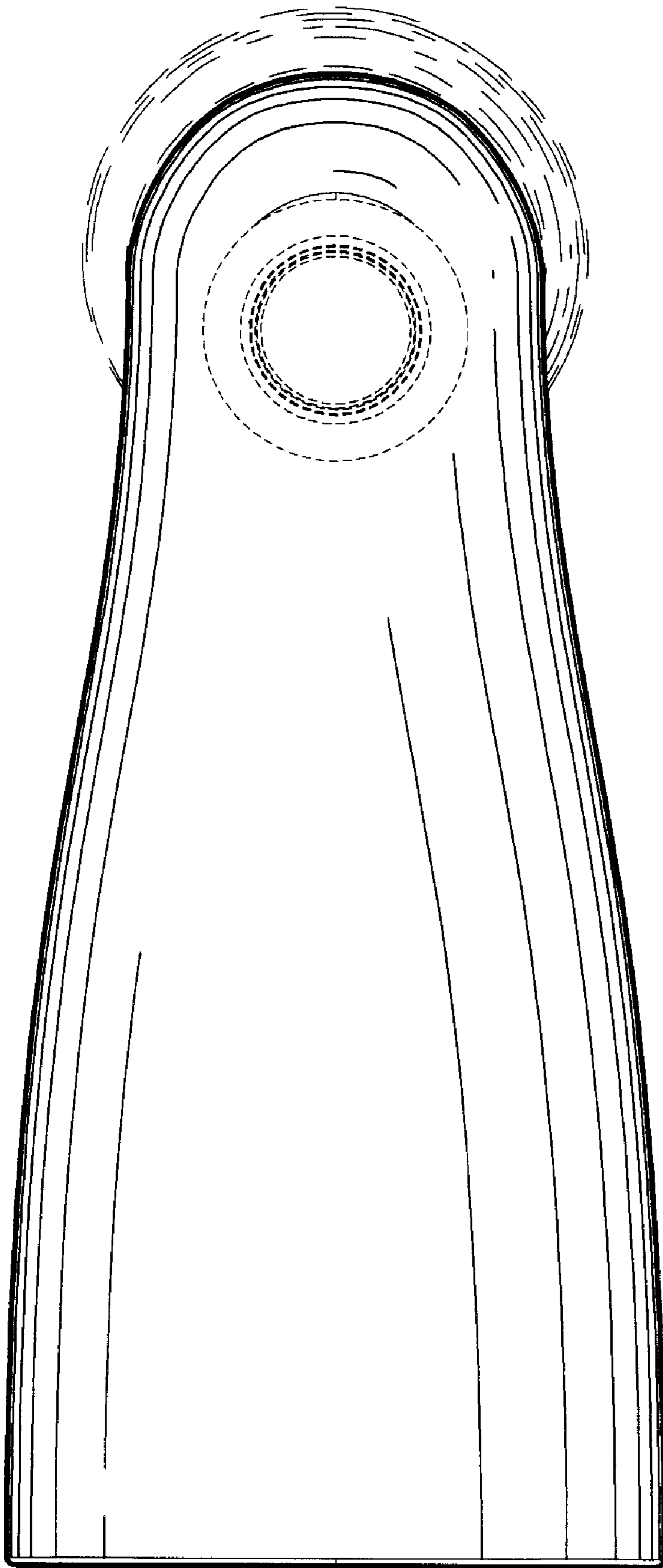


Figure - 4

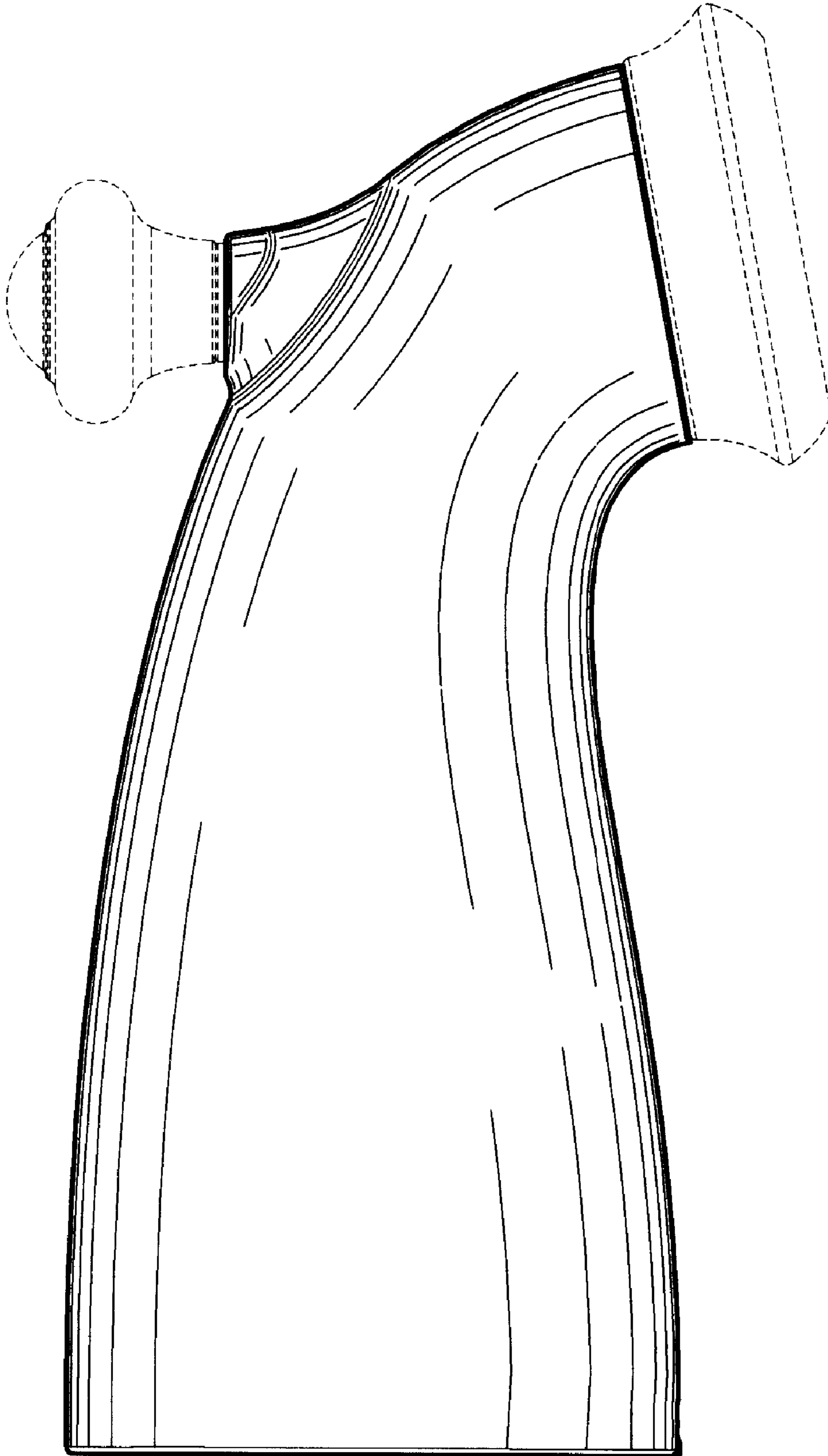


Figure - 5

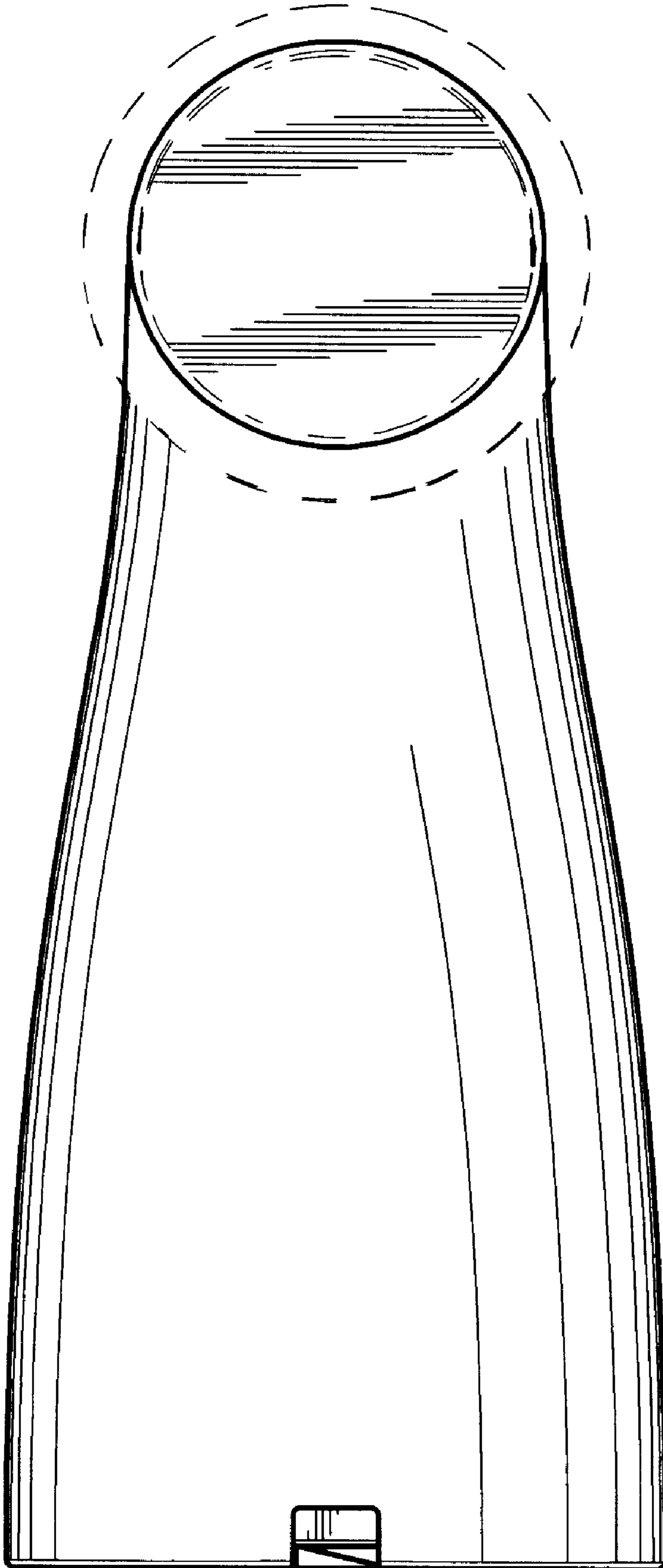


Figure - 6

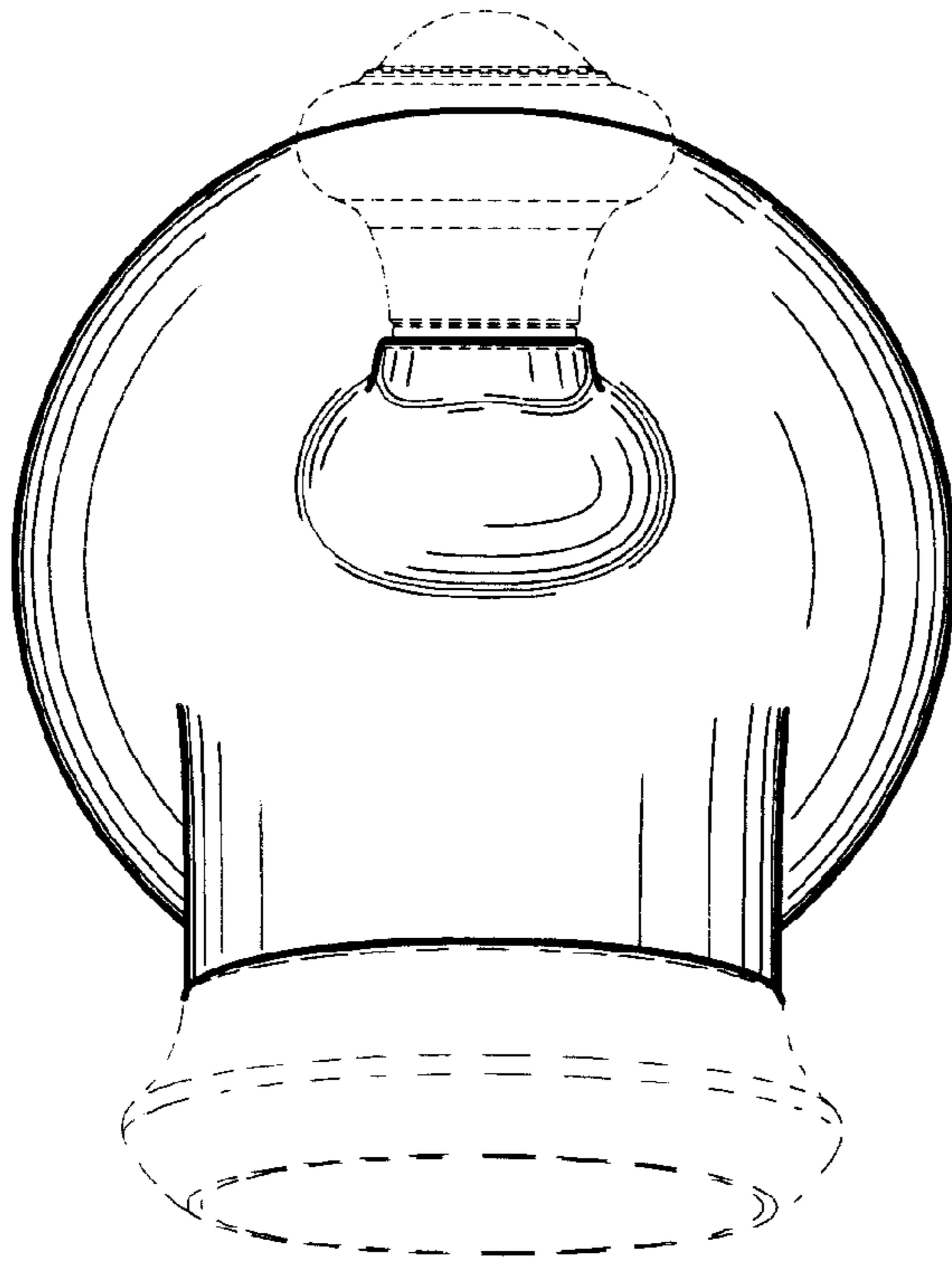


Figure - 7

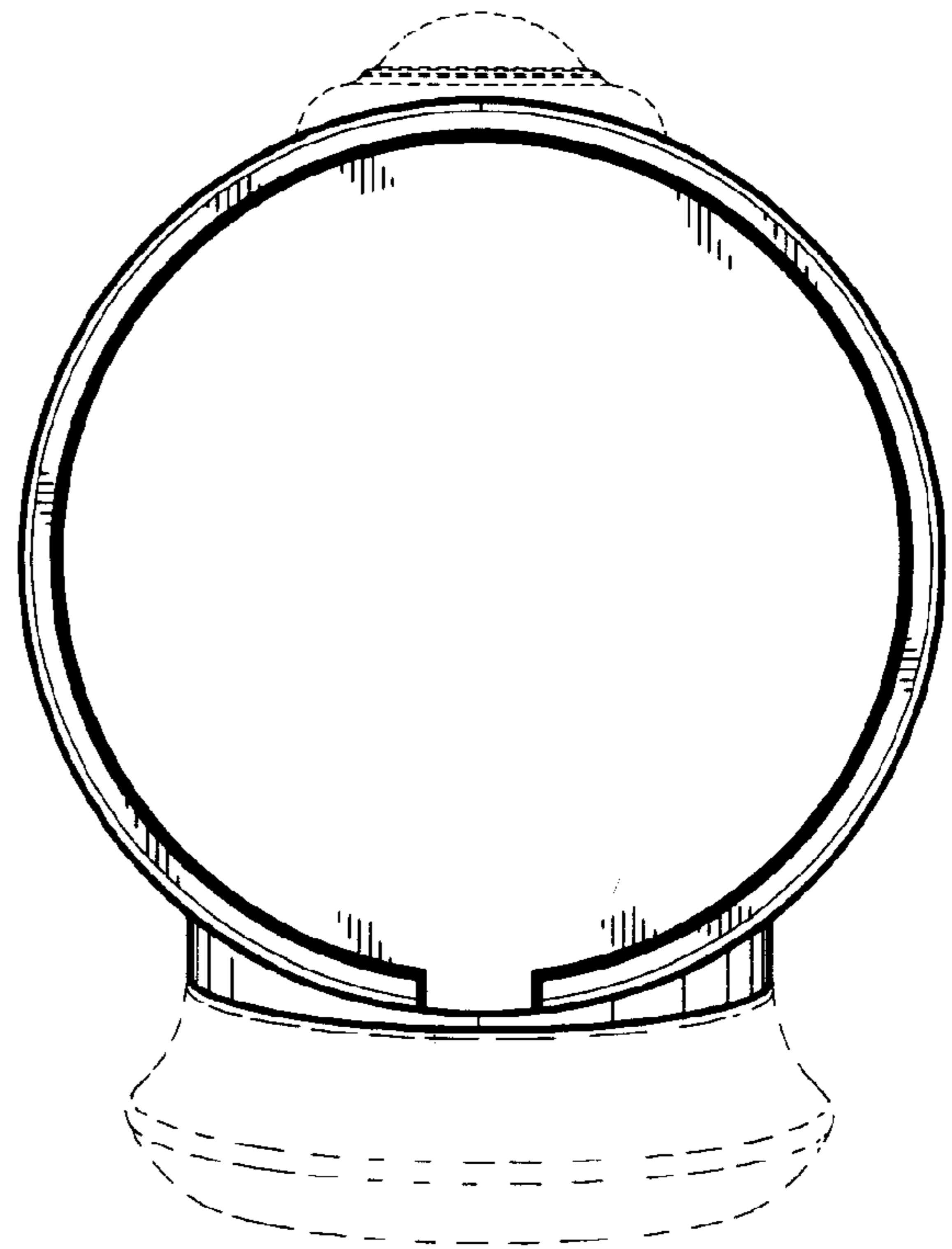


Figure - 8