



US00D466592S

(12) **United States Design Patent**  
**Paul**

(10) **Patent No.:** **US D466,592 S**

(45) **Date of Patent:** **\*\* Dec. 3, 2002**

(54) **FAUCET BODY**

(75) Inventor: **Gary Alan Paul**, Keswick, VA (US)

(73) Assignee: **Paul Decorative Products, Inc.**, New York, NY (US)

(\*\*) Term: **14 Years**

(21) Appl. No.: **29/158,310**

(22) Filed: **Apr. 1, 2002**

(51) **LOC (7) Cl.** ..... **23-01**

(52) **U.S. Cl.** ..... **D23/249; D23/238**

(58) **Field of Search** ..... **D23/238-243, D23/250-257; 4/675-678; 137/801**

(56) **References Cited**

**U.S. PATENT DOCUMENTS**

D277,537 S	*	2/1985	Merl et al. ....	D23/238
D292,730 S	*	11/1987	Belaiche et al. ....	D23/250
D304,255 S	*	10/1989	Lathrop ....	D23/257
D349,326 S	*	8/1994	Bollenbacher ....	D23/238
D417,490 S	*	12/1999	Formgren ....	D23/255

\* cited by examiner

*Primary Examiner*—Louis S. Zarfaz  
*Assistant Examiner*—Gregory Andoll  
(74) *Attorney, Agent, or Firm*—Darby & Darby

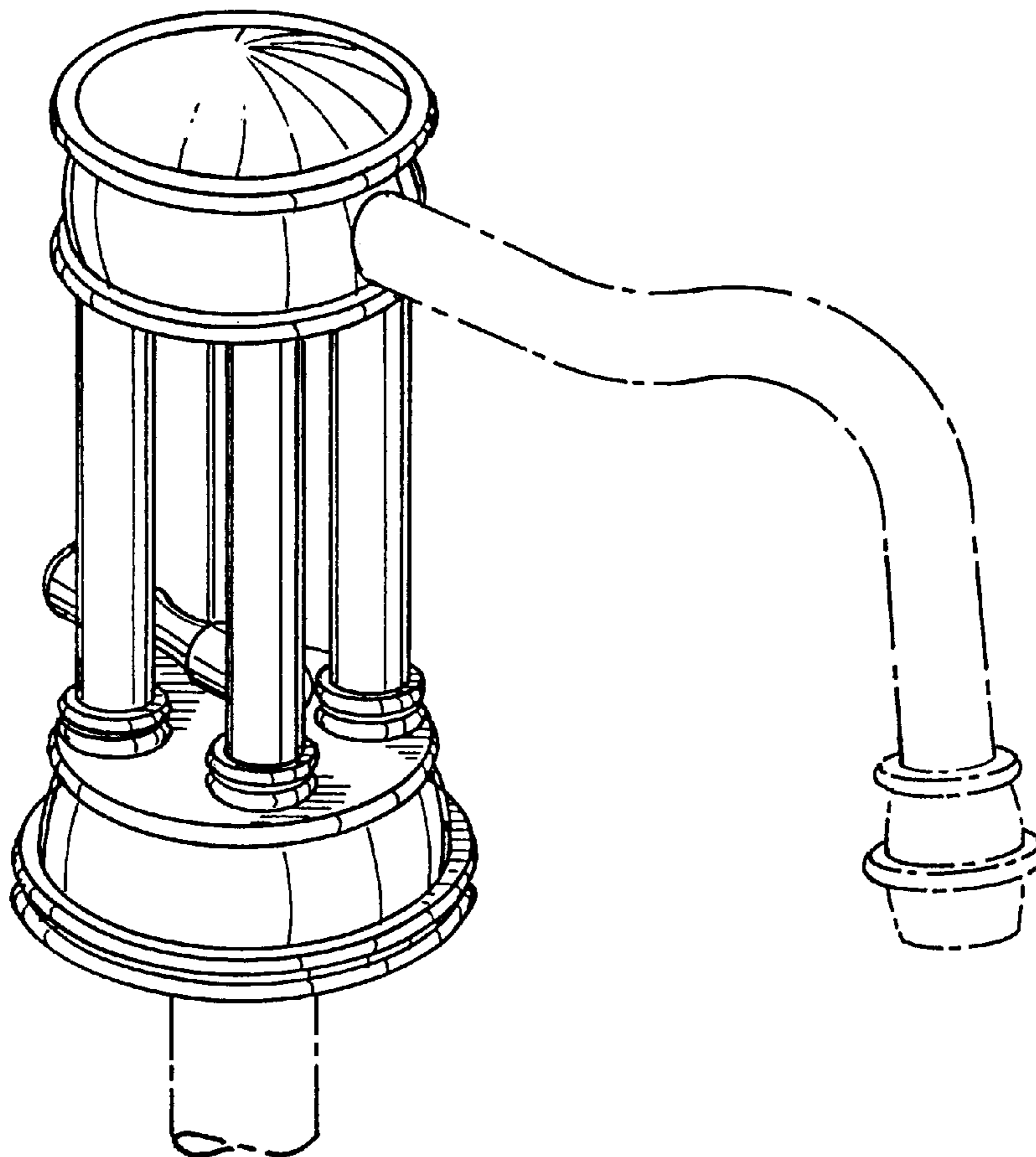
(57) **CLAIM**

The ornamental design for a faucet body, as shown and described.

**DESCRIPTION**

FIG. 1 is a top front perspective view of a faucet body in accordance with my invention;  
FIG. 2 is a front elevational view of the faucet body;  
FIG. 3 is a left side elevational view of the faucet body, the right side being a mirror image thereof;  
FIG. 4 is a rear elevational view of the faucet body;  
FIG. 5 is a top plan view of the faucet body;  
FIG. 6 is a bottom plan view of the faucet body; and,  
FIG. 7 is a left side elevational view of the faucet body with the handle shown in its raised position.  
The broken lines in the Figures are for illustrative purposes only and form no part of the claimed design.

**1 Claim, 3 Drawing Sheets**



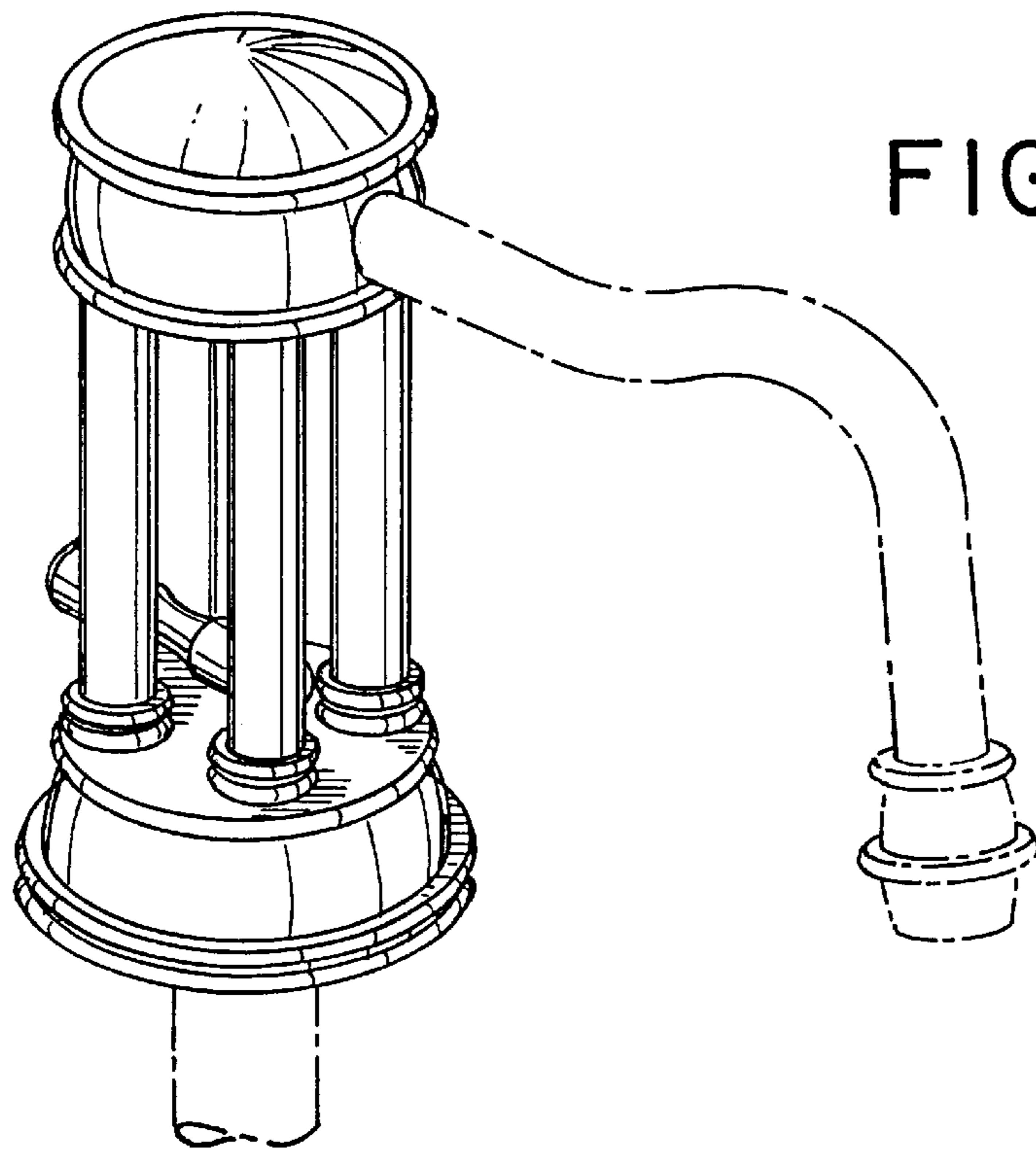


FIG. 1

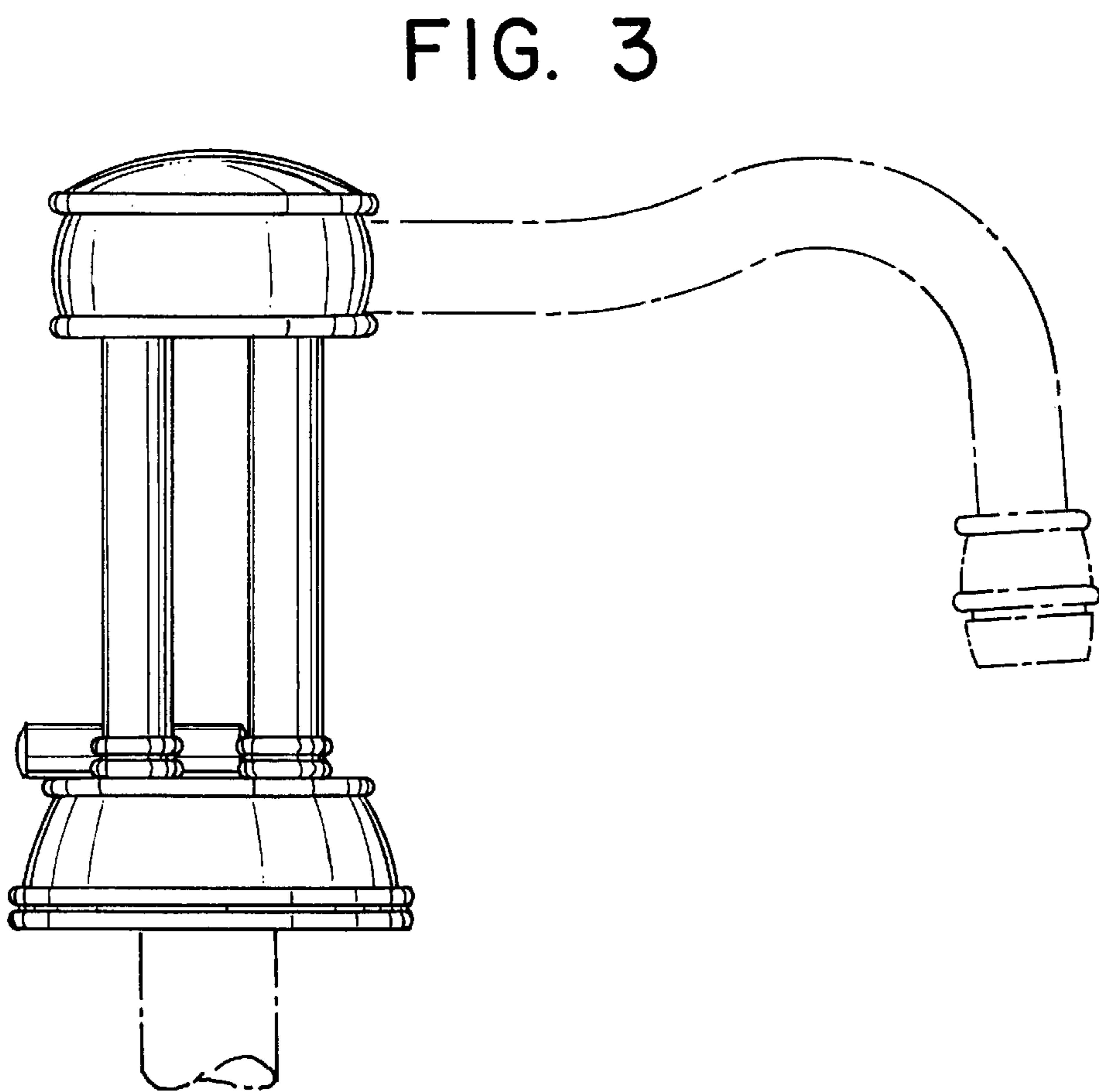


FIG. 3

FIG. 2

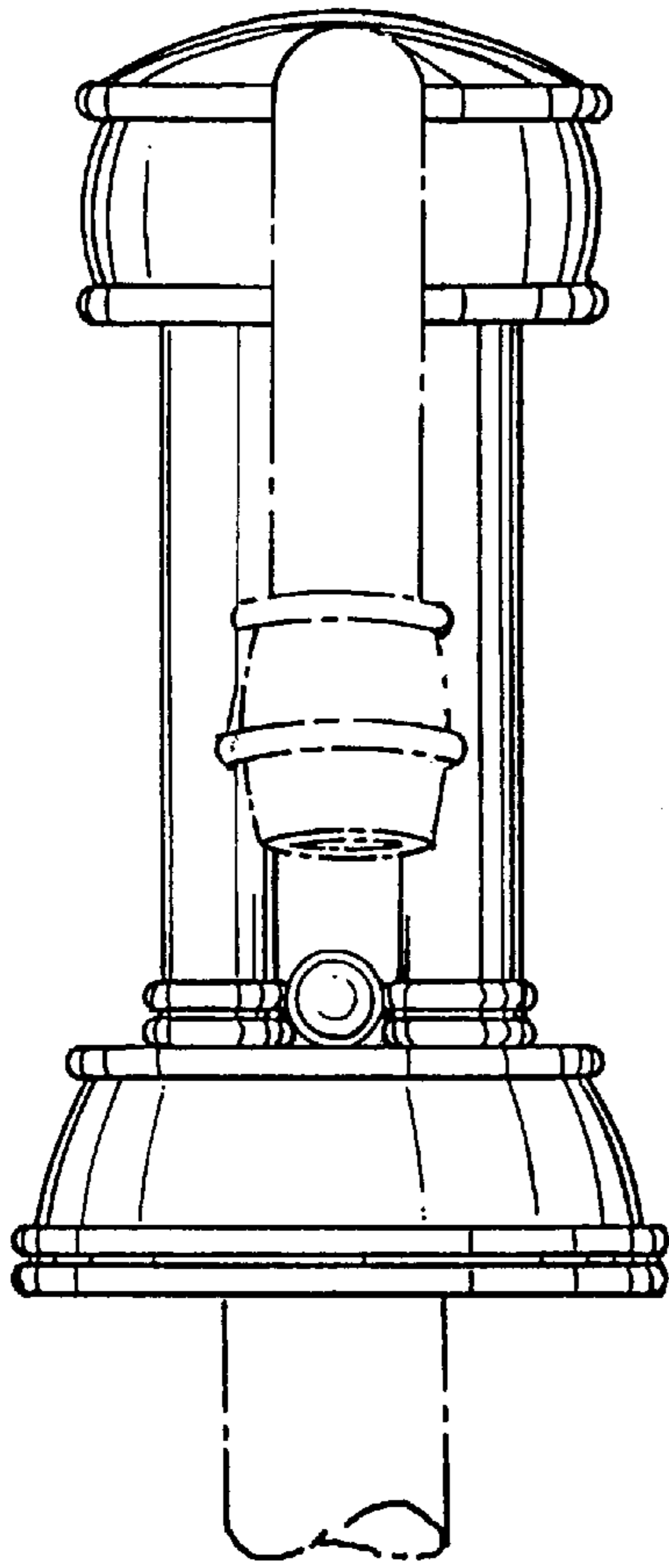


FIG. 4

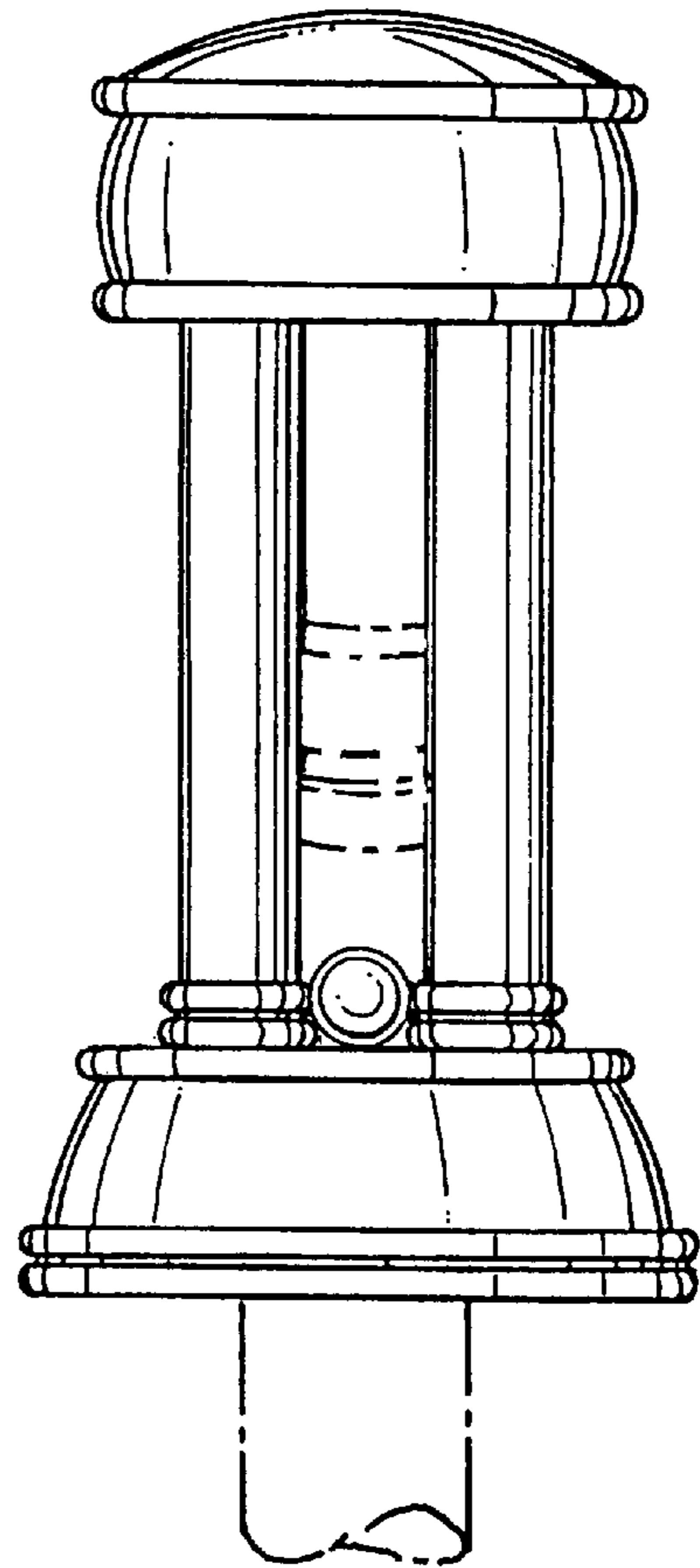


FIG. 5

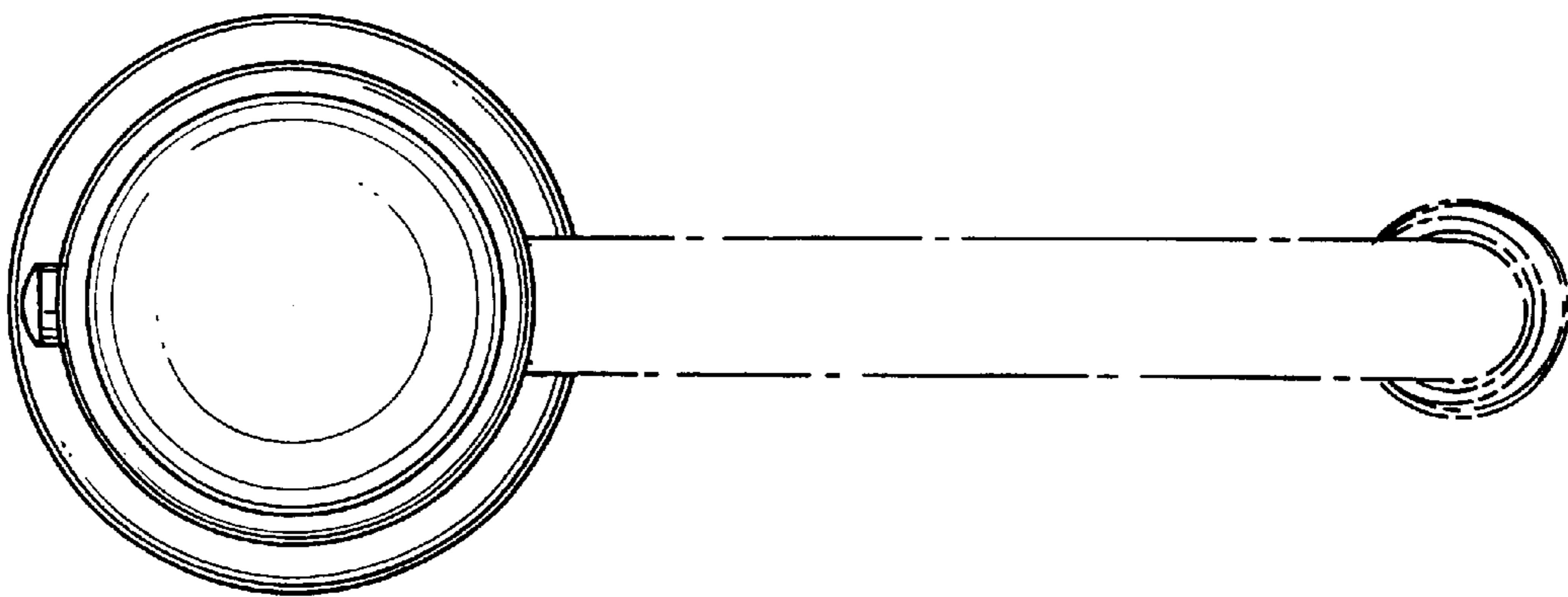


FIG. 6

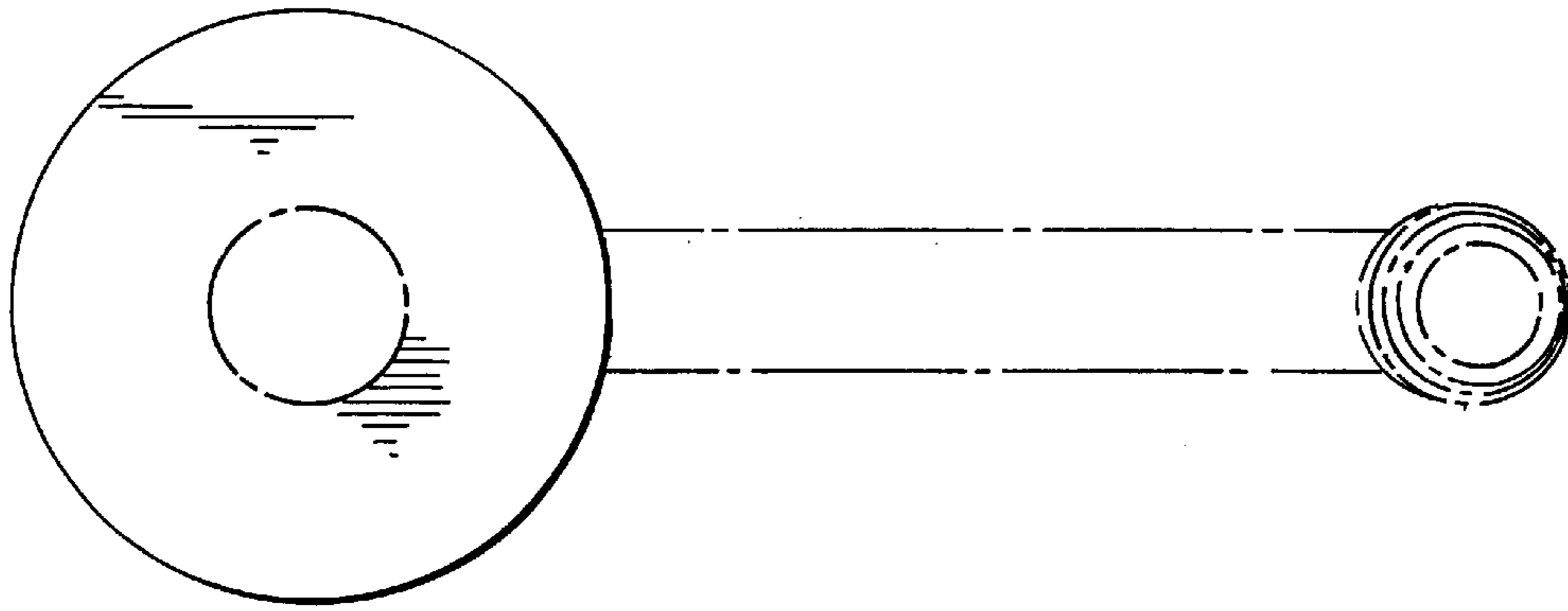


FIG. 7

