

US00D466591S

(12) **United States Design Patent**
Lord

(10) **Patent No.:** **US D466,591 S**

(45) **Date of Patent:** **** Dec. 3, 2002**

(54) **SPOUT HUB**

(75) Inventor: **Judd A. Lord**, Carmel, IN (US)

(73) Assignee: **Masco Corporation of Indiana**,
Indianapolis, IN (US)

(**) Term: **14 Years**

(21) Appl. No.: **29/151,958**

(22) Filed: **Dec. 12, 2001**

(51) **LOC (7) Cl.** **23-01**

(52) **U.S. Cl.** **D23/249**

(58) **Field of Search** D23/238-243,
D23/250-257; 4/675-678; 137/807

(56) **References Cited**

U.S. PATENT DOCUMENTS

D394,492 S	*	5/1998	Nguyen et al.	D23/255
D418,583 S	*	1/2000	Hyde et al.	D23/255
D422,663 S	*	5/2000	Mark et al.	D23/238
D432,215 S	*	10/2000	Spangler	D23/249

* cited by examiner

Primary Examiner—Louis S. Zarfaz

Assistant Examiner—Gregory Andoll

(74) *Attorney, Agent, or Firm*—Myron B. Kapustij; Lloyd D. Doigan

(57) **CLAIM**

The ornamental design for a spout hub, as shown and described.

DESCRIPTION

FIG. 1 is a rear perspective view of the spout hub showing my new design;

FIG. 2 is a front perspective view thereof;

FIG. 3 is a right side elevational view thereof;

FIG. 4 is a rear elevational view thereof;

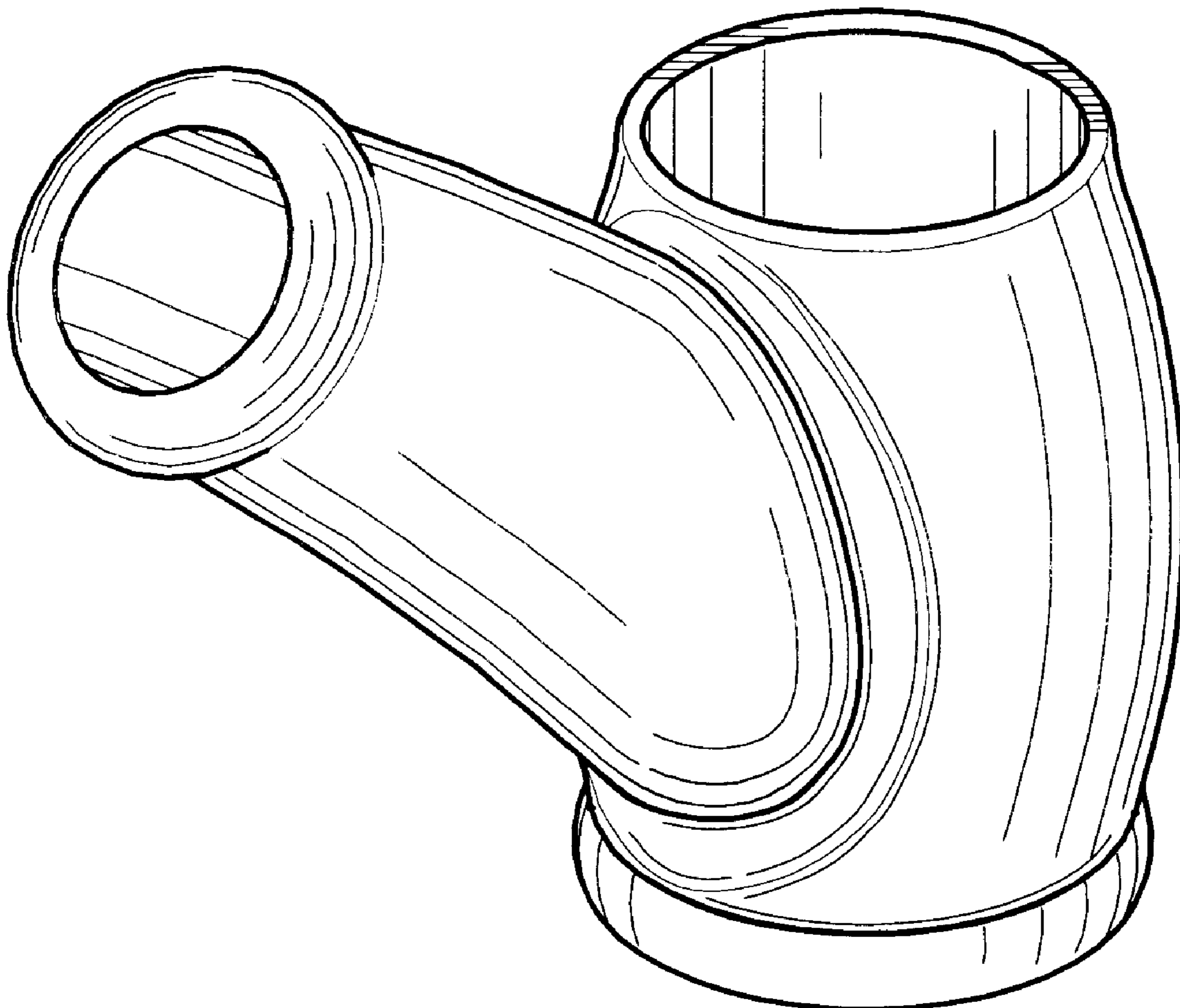
FIG. 5 is a front elevational view thereof;

FIG. 6 is a bottom plan view thereof;

FIG. 7 is a left side elevational view thereof; and,

FIG. 8 is a top plan view thereof.

1 Claim, 4 Drawing Sheets



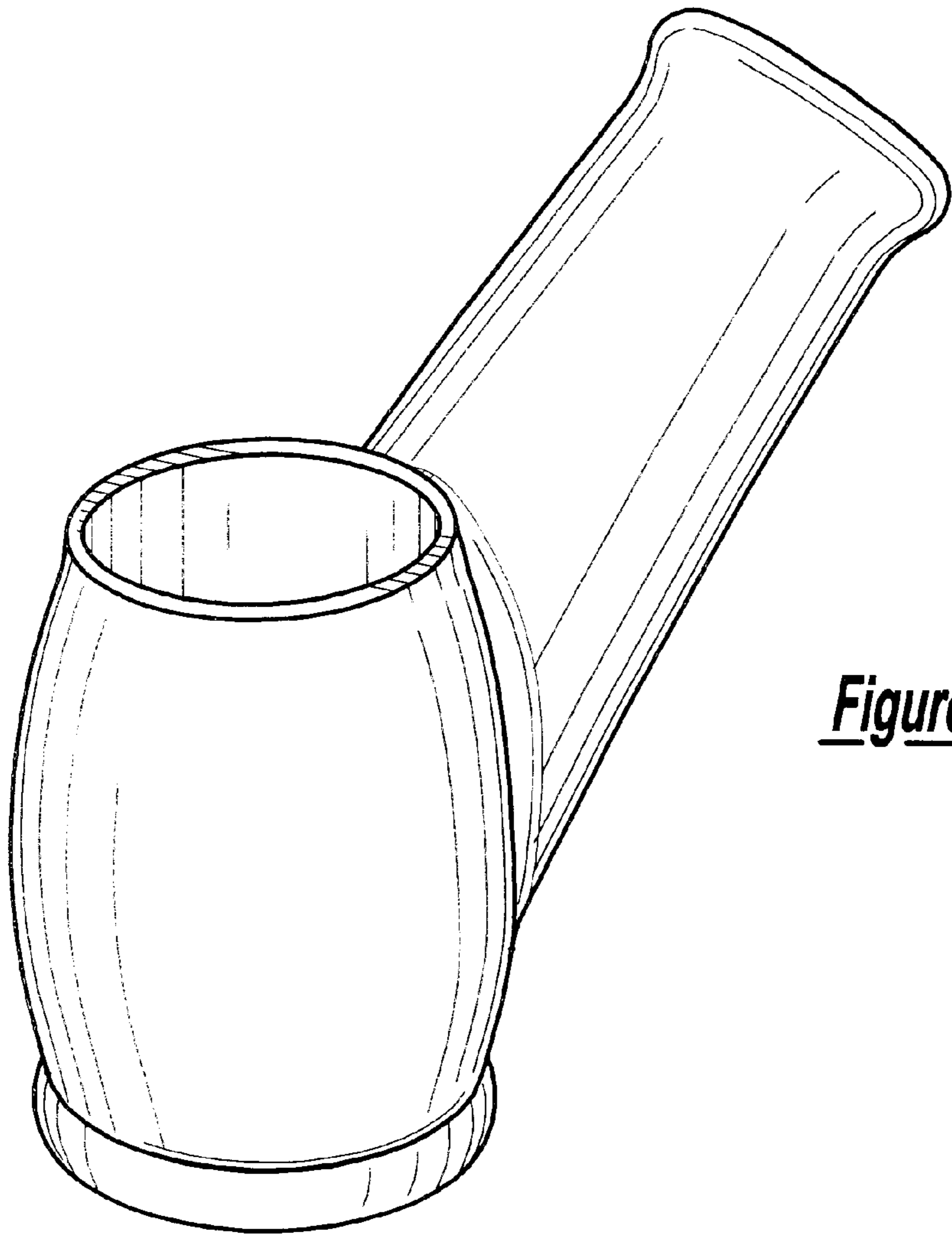


Figure - 1

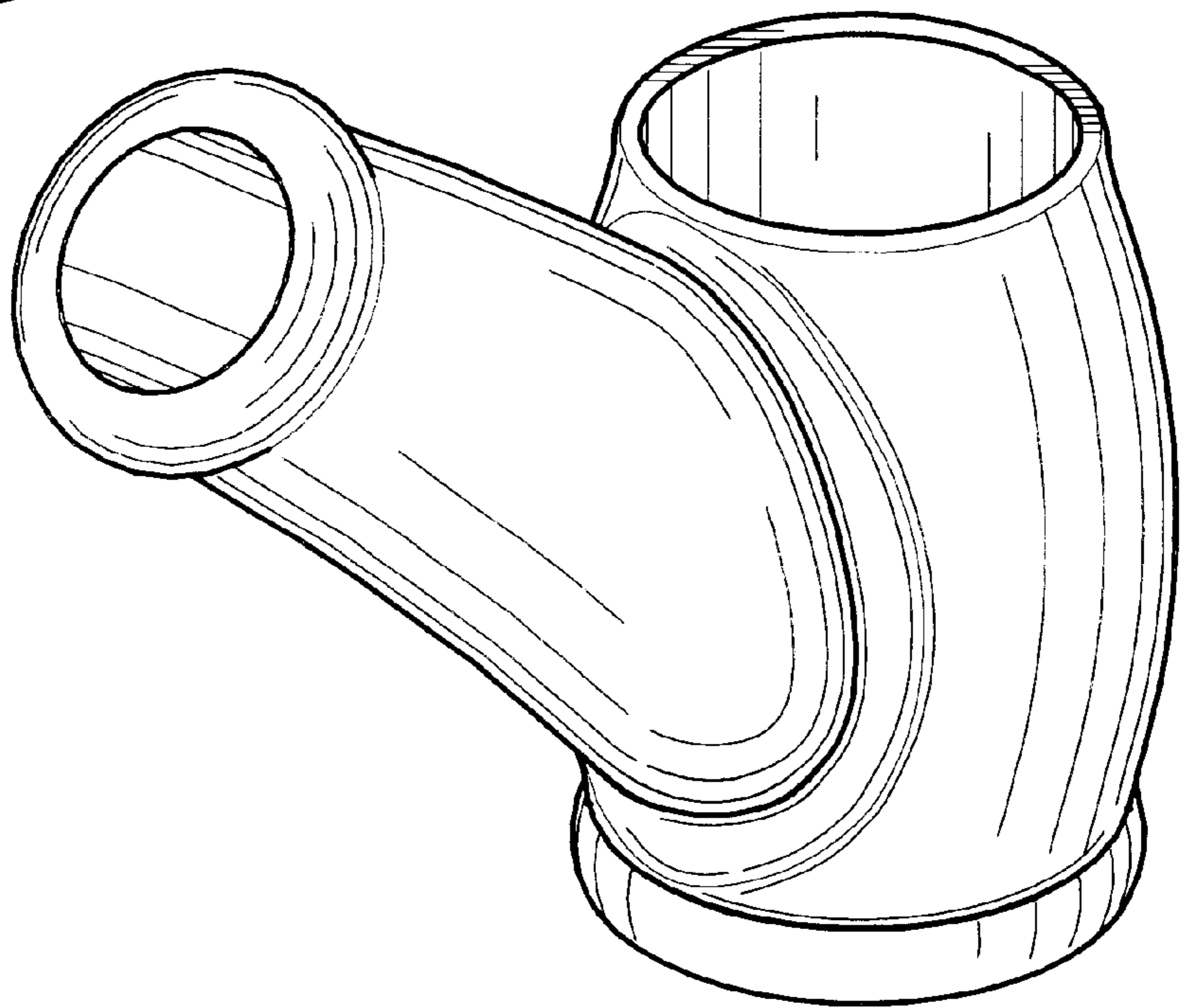


Figure - 2

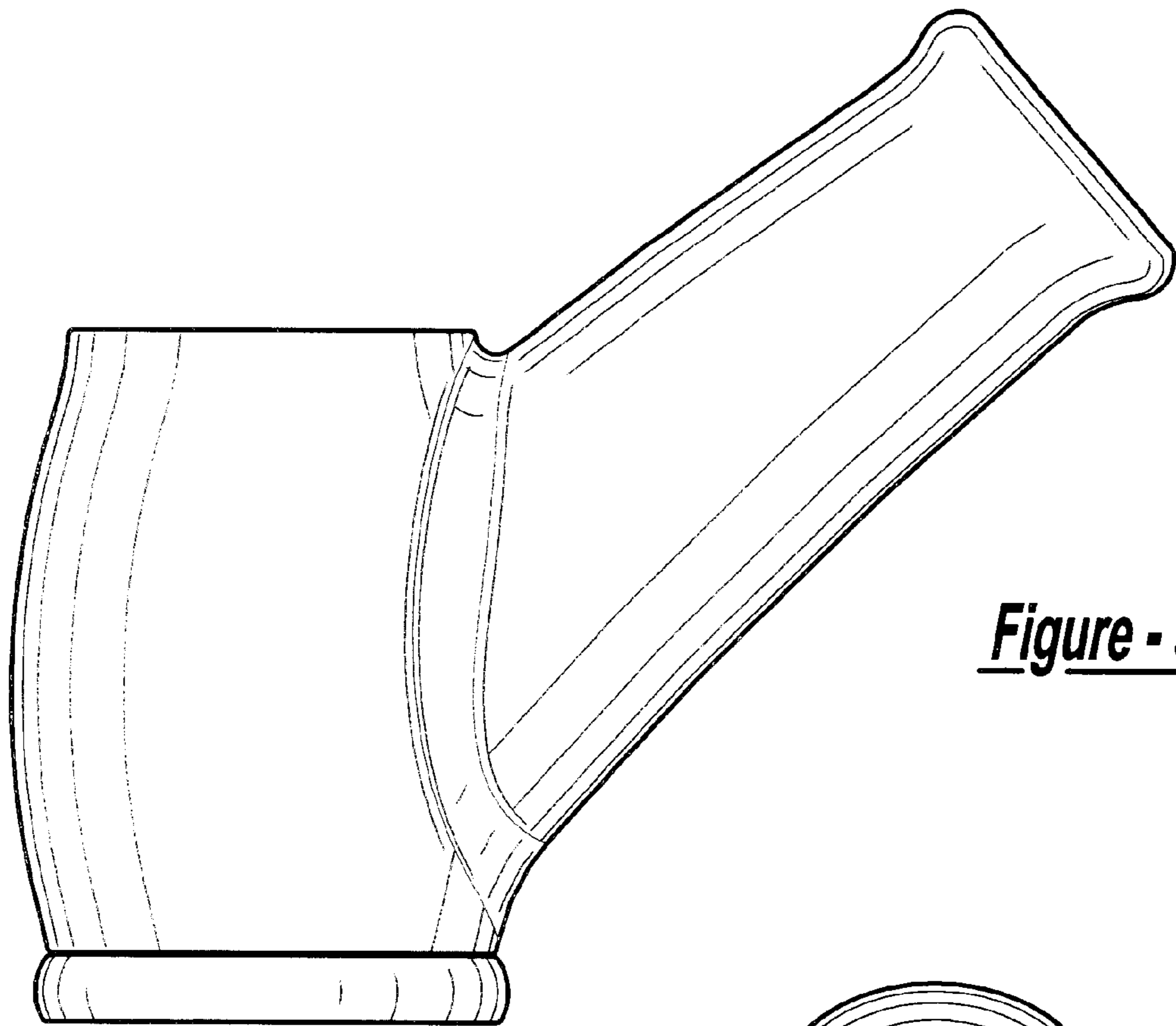


Figure - 3

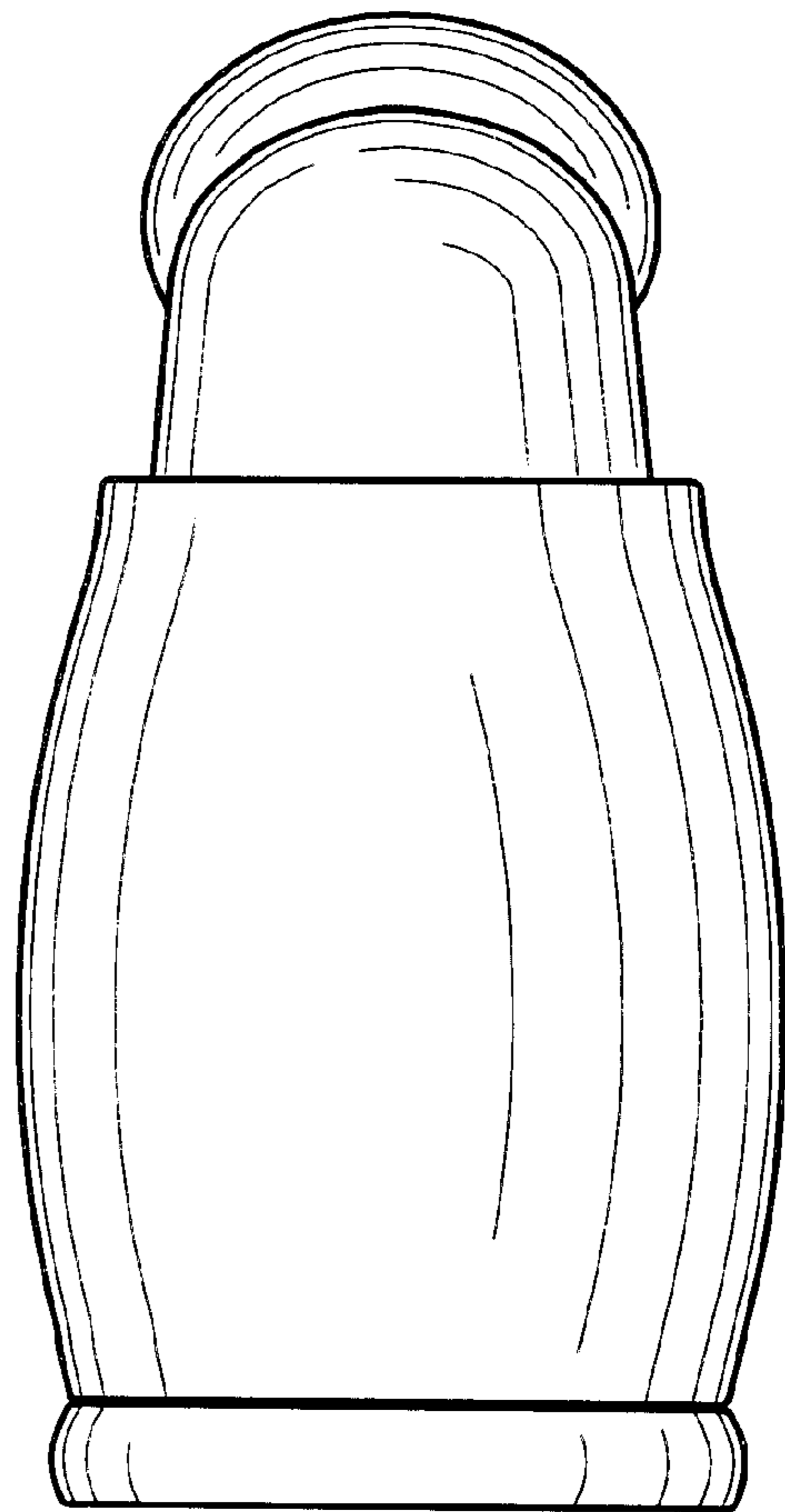


Figure - 4

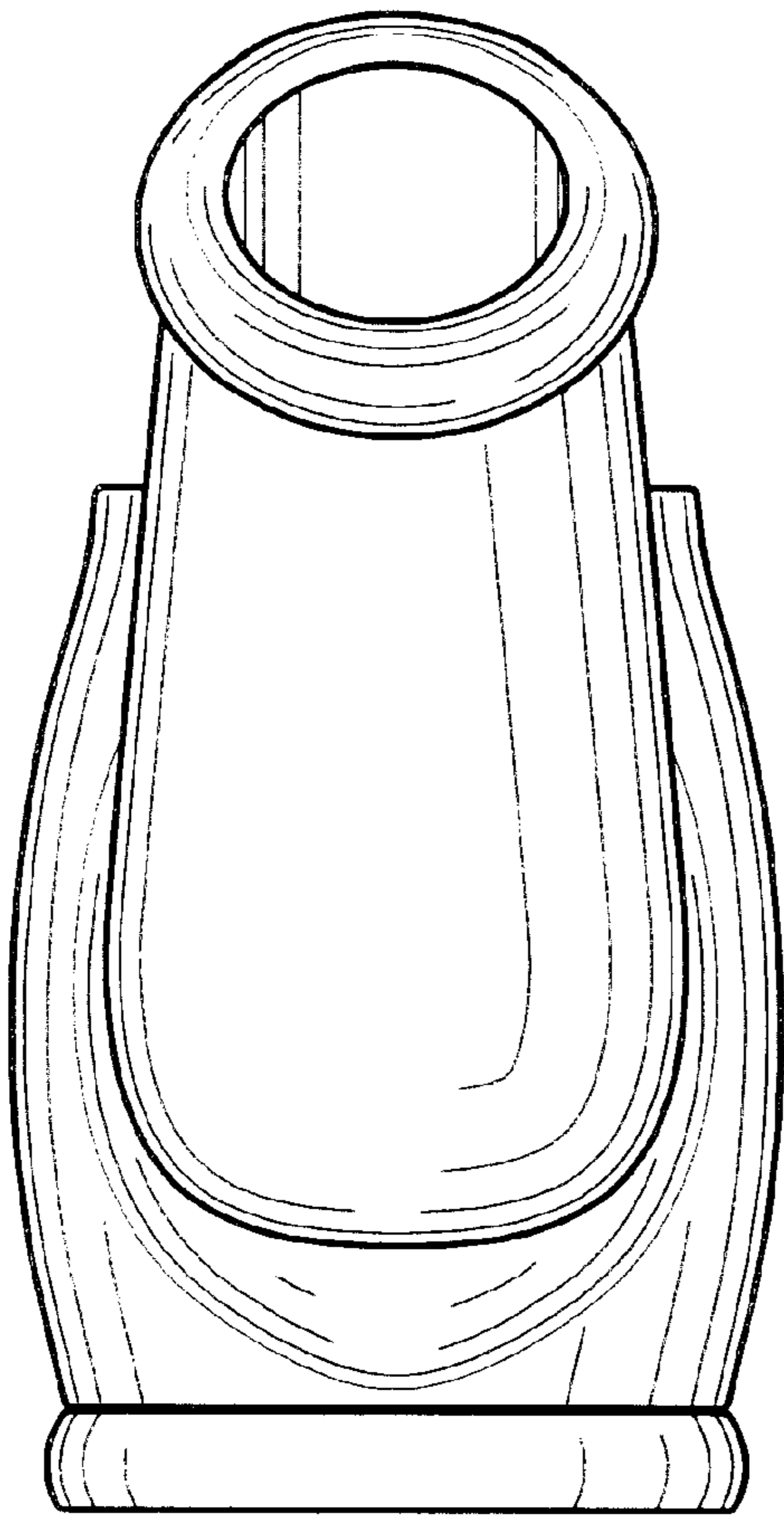


Figure - 5

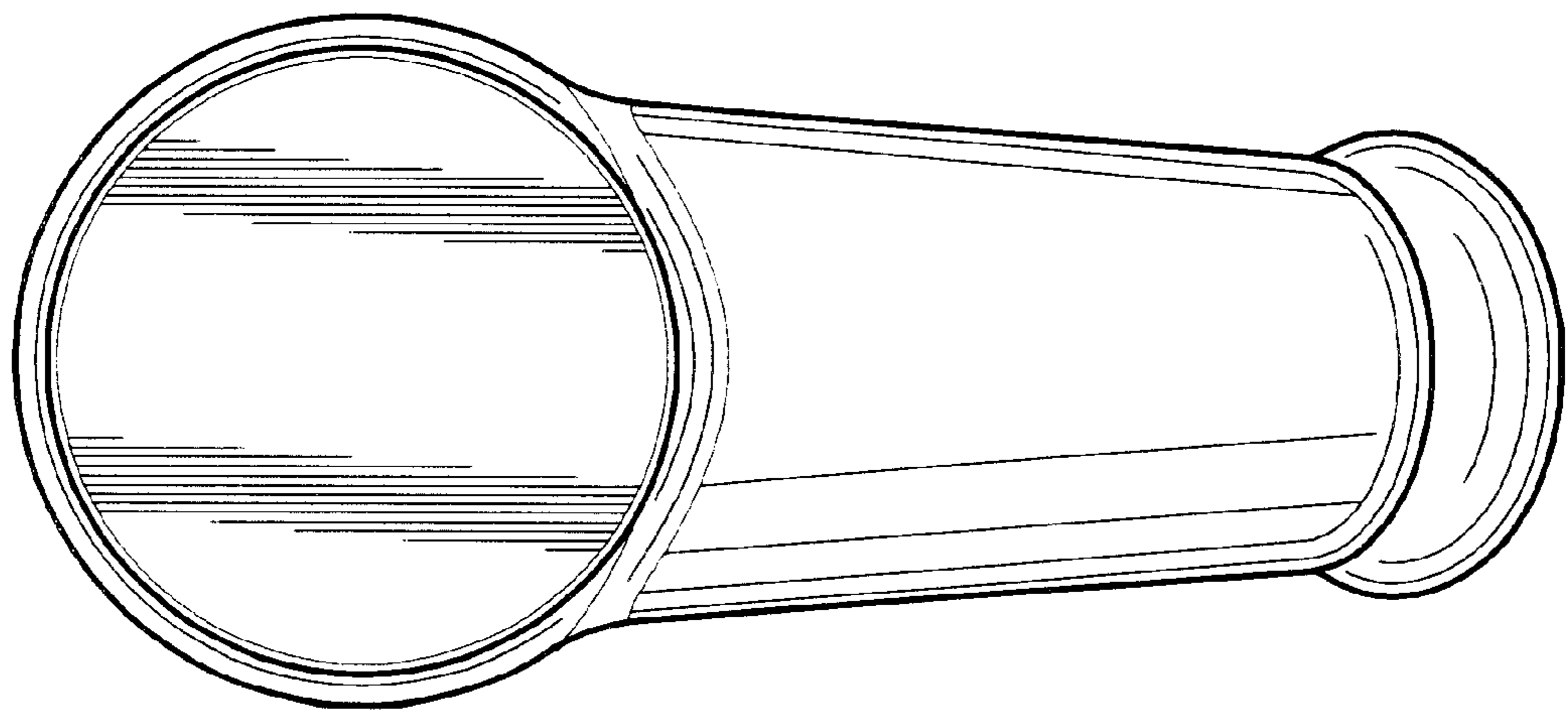


Figure - 6

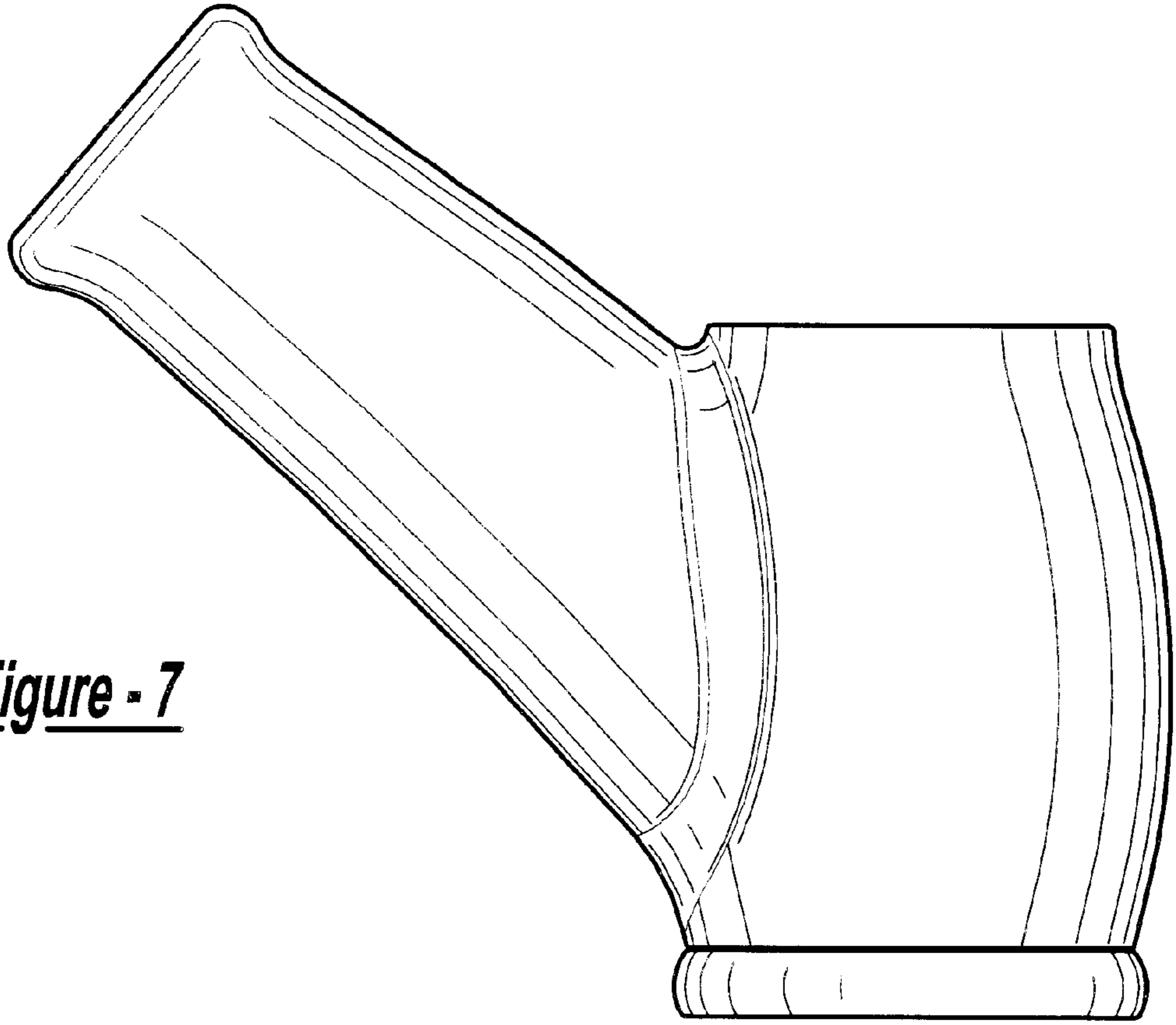


Figure - 7

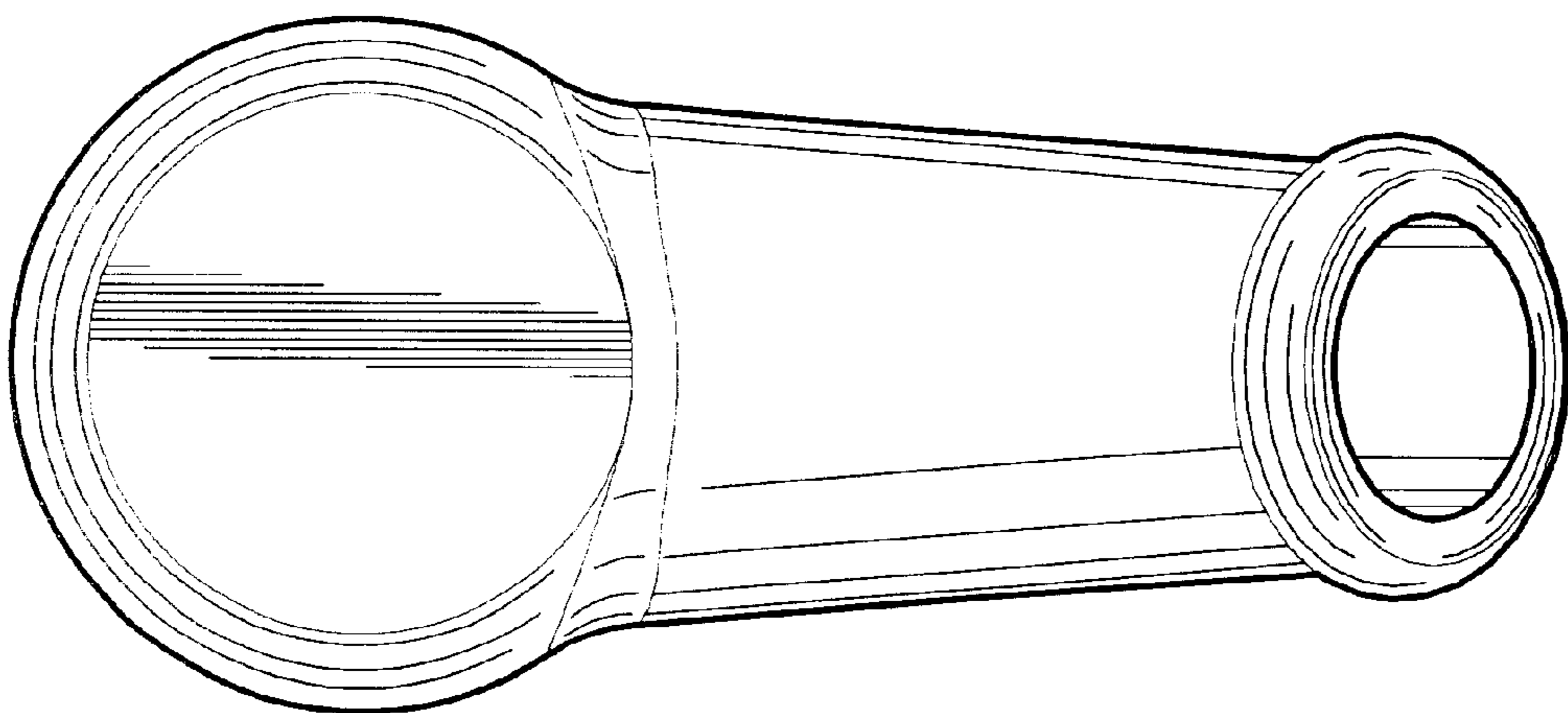


Figure - 8