



US00D466588S

(12) **United States Design Patent**
Lord

(10) **Patent No.:** **US D466,588 S**

(45) **Date of Patent:** **** Dec. 3, 2002**

(54) **LIQUID SOAP DISPENSER**

D451,735 S * 12/2001 Hanna D6/542
D453,648 S * 2/2002 Gottwald D6/545

(75) Inventor: **Judd A. Lord**, Carmel, IN (US)

* cited by examiner

(73) Assignee: **Masco Corporation of Indiana**,
Indianapolis, IN (US)

Primary Examiner—Louis S. Zarfes

Assistant Examiner—Gregory A Andoll

(**) Term: **14 Years**

(74) *Attorney, Agent, or Firm*—Myron B. Kapustij; Lloyd
D. Doigan

(21) Appl. No.: **29/148,270**

(57) **CLAIM**

(22) Filed: **Sep. 18, 2001**

The ornamental design for a liquid soap dispenser, as shown
and described.

(51) **LOC (7) Cl.** **23-01**

(52) **U.S. Cl.** **D23/238**; D6/542

(58) **Field of Search** D6/542–545; 222/180,
222/192, 630, 400.8, 372; D9/448; D23/238,
231, 255

DESCRIPTION

(56) **References Cited**

U.S. PATENT DOCUMENTS

D73,185 S * 8/1927 Levernier D6/542
D208,737 S * 9/1967 Huling D23/231
D383,025 S * 9/1997 Warshawsky D6/542
D396,590 S * 8/1998 Warshawsky D6/542
D399,085 S * 10/1998 Warshawsky D6/542
D450,506 S * 11/2001 Hoernig D6/542

FIG. 1 is a rear perspective view of the liquid soap dispenser
showing my new design;

FIG. 2 is a front perspective view thereof;

FIG. 3 is a right side elevational view thereof;

FIG. 4 is a rear elevational view thereof;

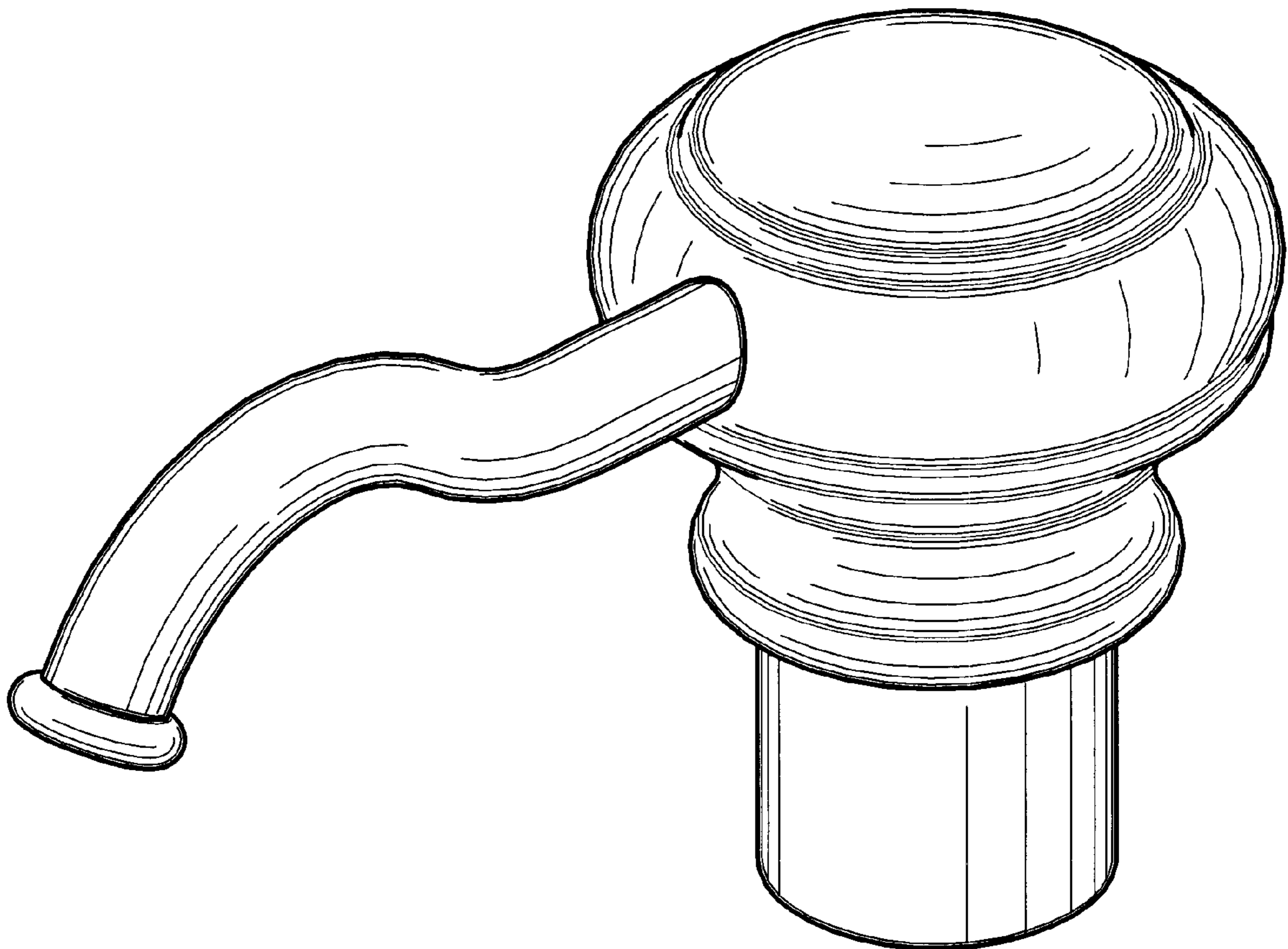
FIG. 5 is a left side elevational view thereof;

FIG. 6 is a front elevational view thereof;

FIG. 7 is a bottom plan view thereof; and,

FIG. 8 is a top plan view thereof.

1 Claim, 4 Drawing Sheets



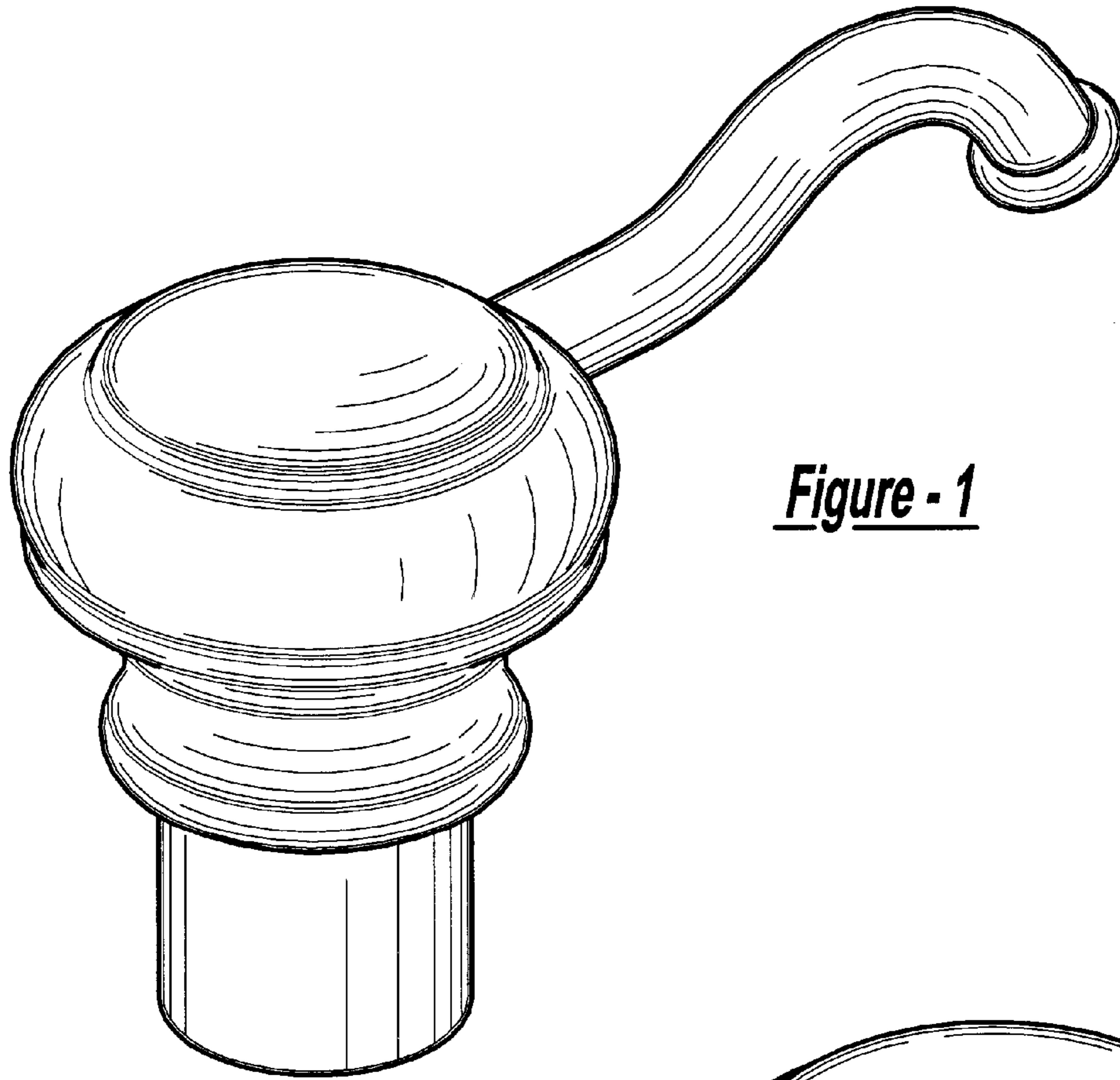


Figure - 1

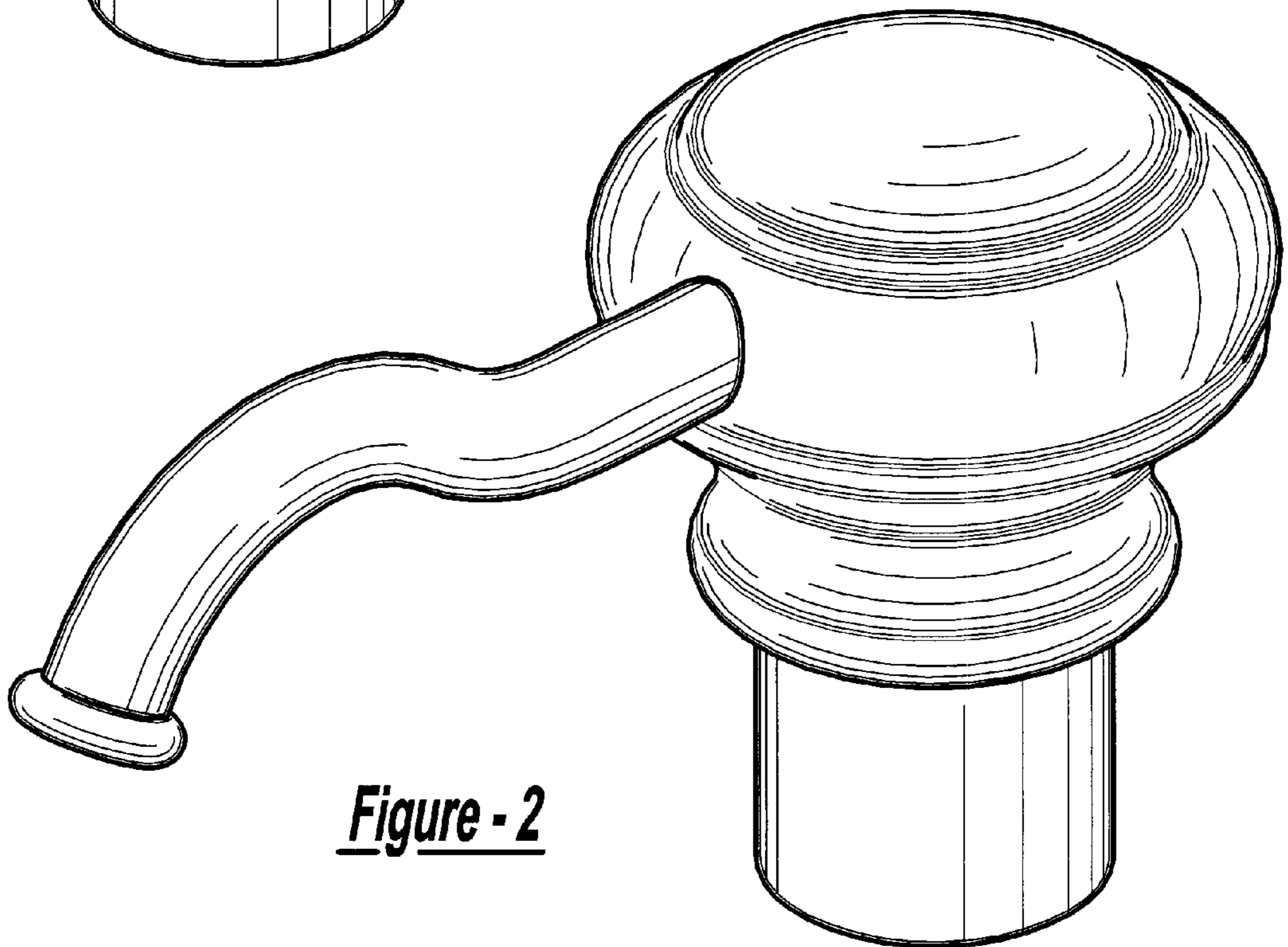


Figure - 2

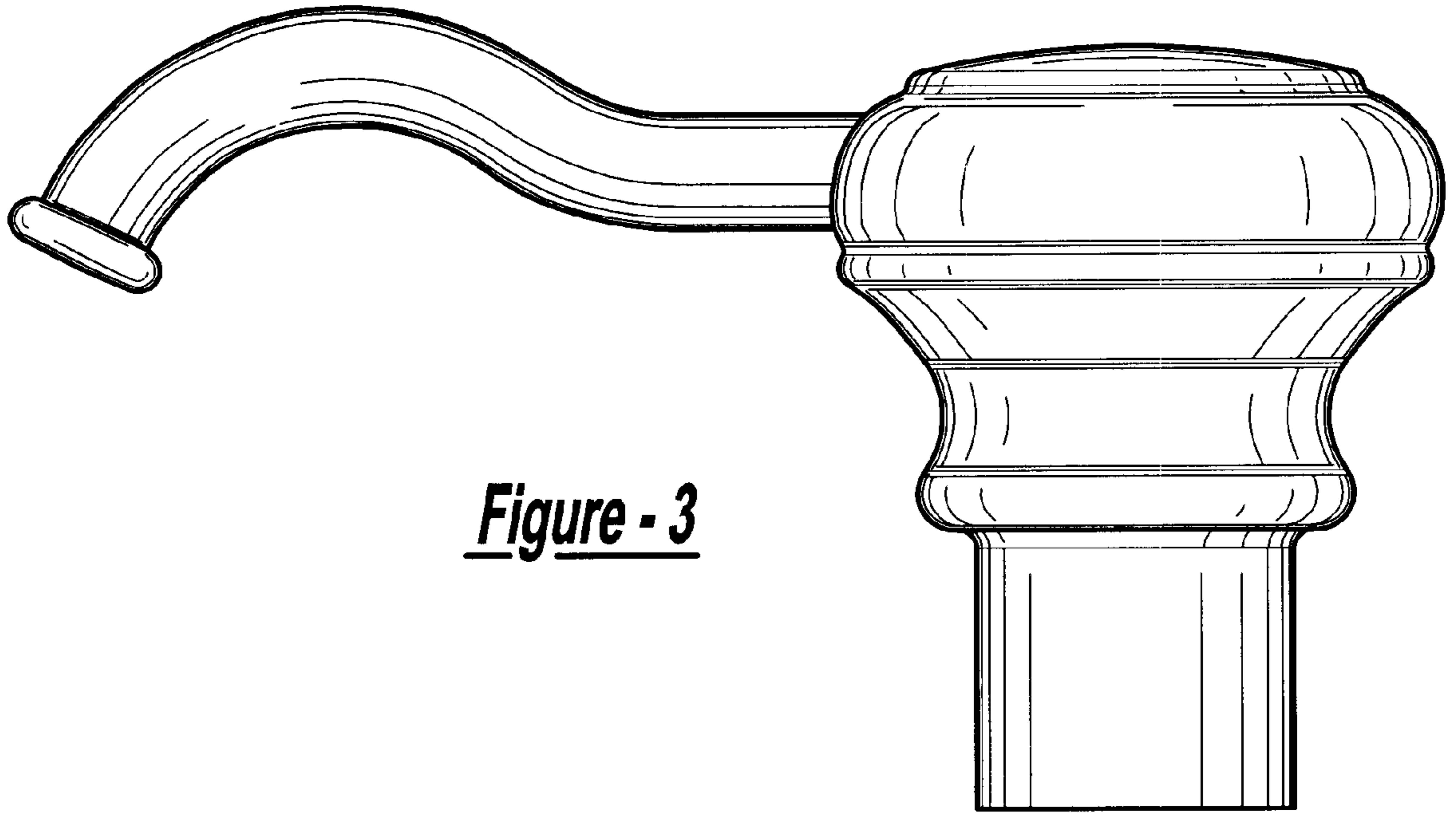


Figure - 3

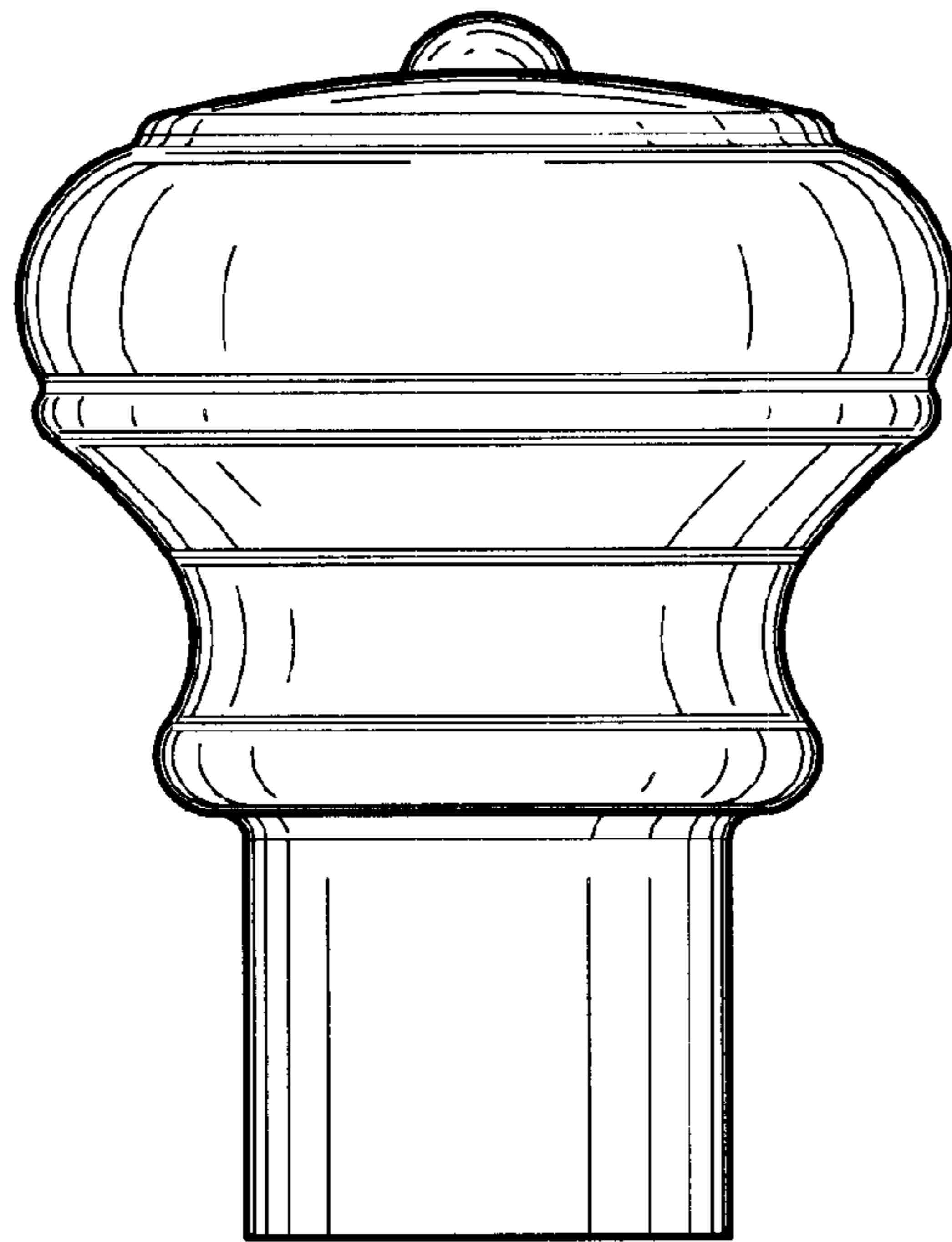


Figure - 4

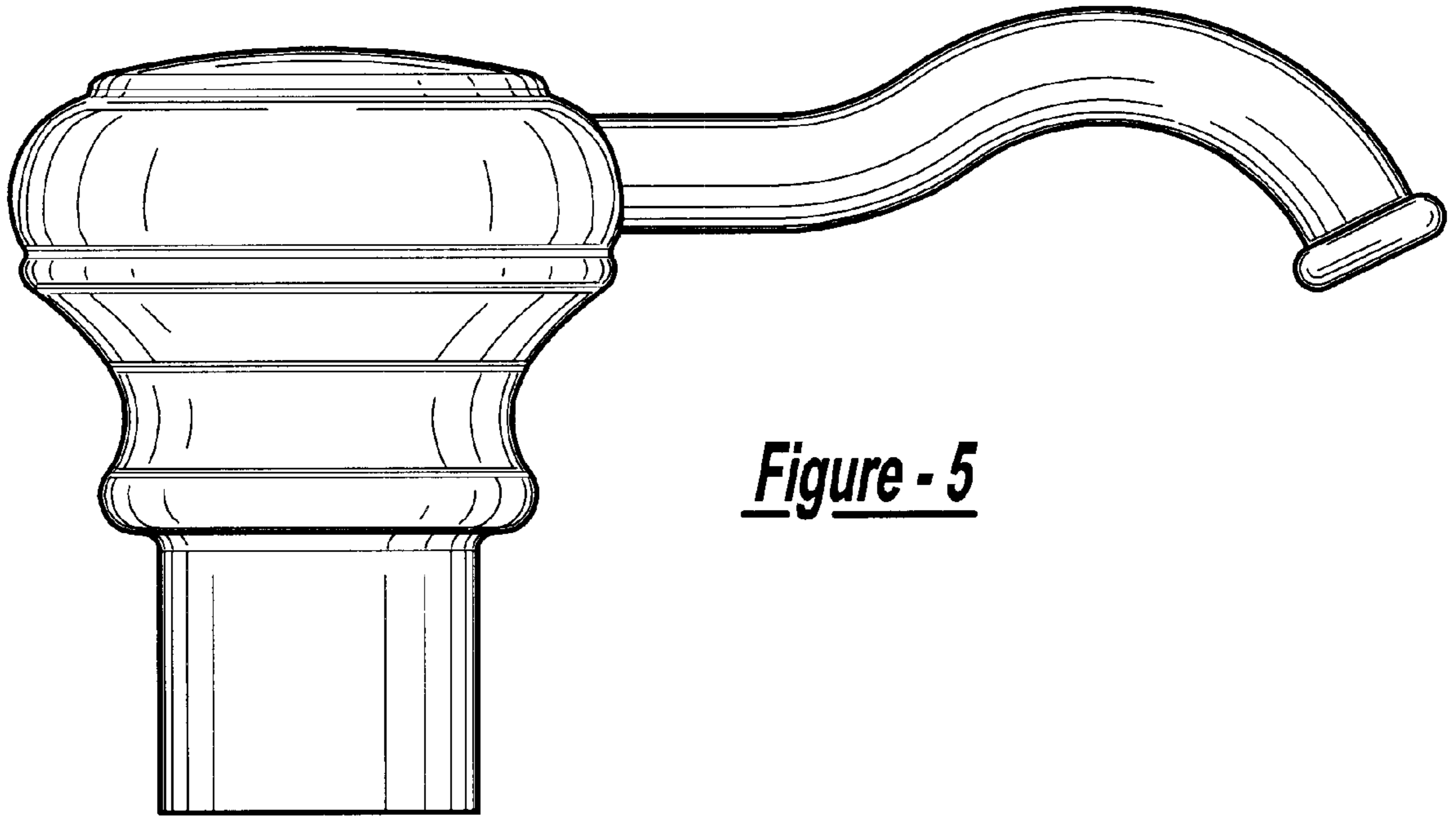


Figure - 5

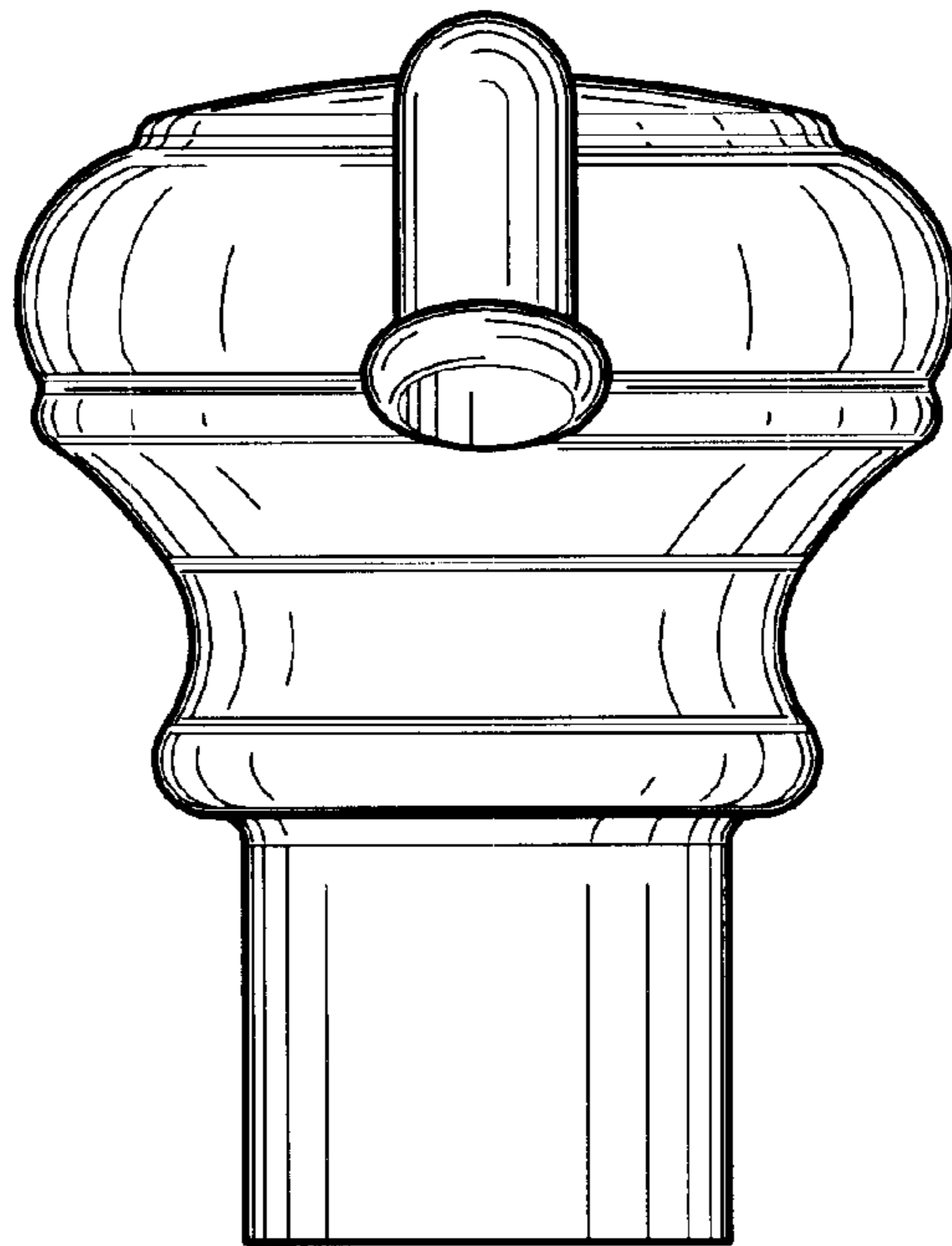


Figure - 6

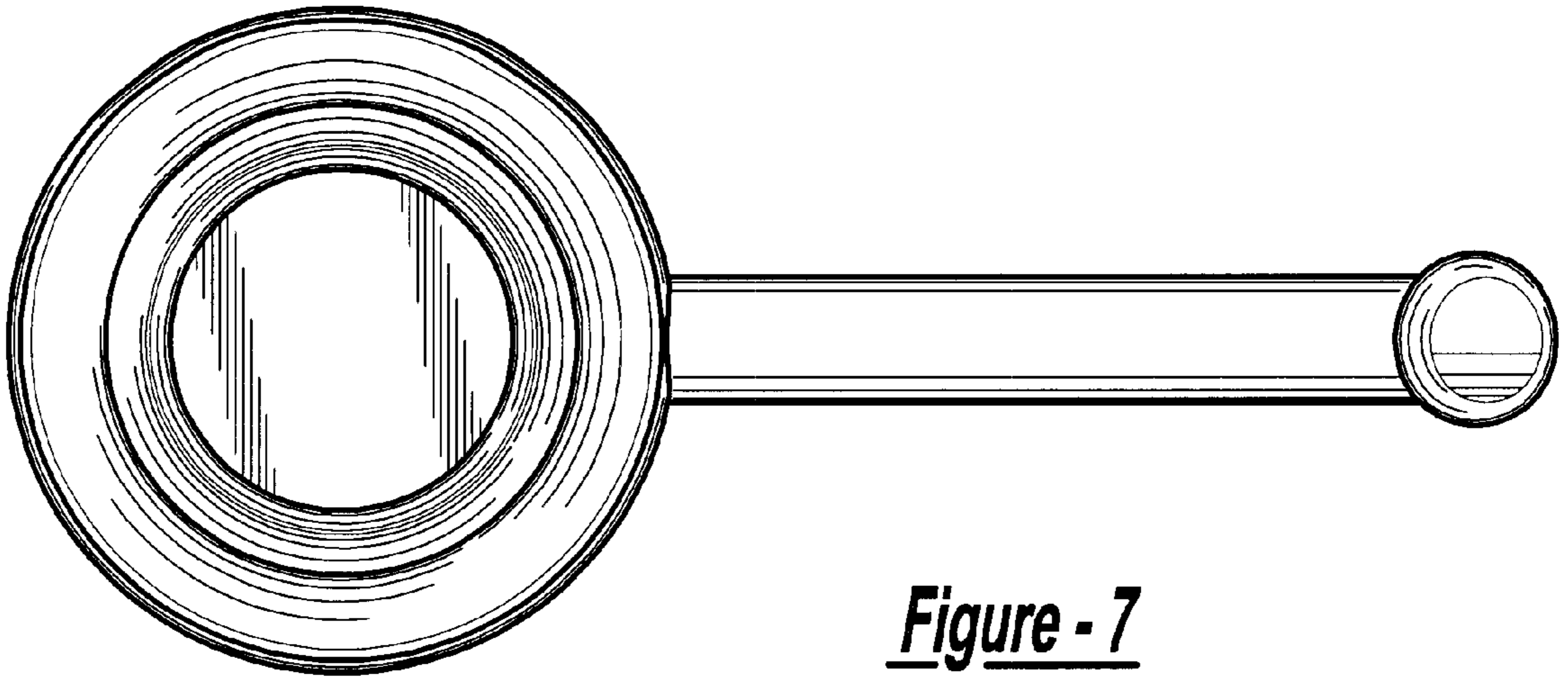


Figure - 7

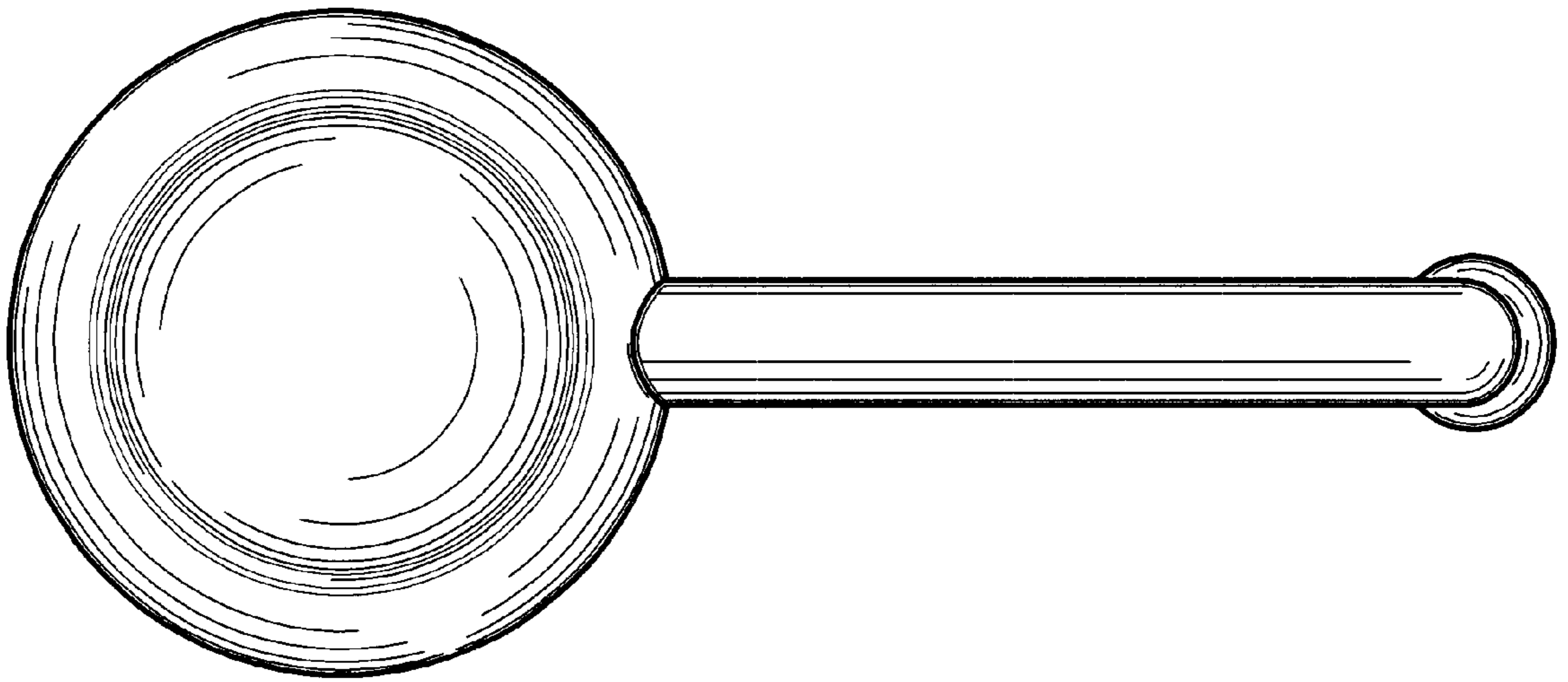


Figure - 8