



US00D466587S

(12) **United States Design Patent**
Isaacs

(10) **Patent No.:** **US D466,587 S**

(45) **Date of Patent:** **** Dec. 3, 2002**

(54) **SINGLE HANDLE FAUCET**

(75) Inventor: **Michael S. Isaacs**, Glencoe, IL (US)

(73) Assignee: **Mico Designs Ltd.**, Chicago, IL (US)

(**) Term: **14 Years**

(21) Appl. No.: **29/148,052**

(22) Filed: **Sep. 13, 2001**

(51) **LOC (7) Cl.** **23-01**

(52) **U.S. Cl.** **D23/238**

(58) **Field of Search** **D23/238-243,**
D23/250-257; 4/675-678; 137/807

(56) **References Cited**

U.S. PATENT DOCUMENTS

D380,809 S * 7/1997 Warshawsky D23/238

D414,546 S * 9/1999 Cosolito et al. D23/238

D444,851 S * 7/2001 Sturgeon D23/238

OTHER PUBLICATIONS

Three double-sided printed pages from a mail order catalog offering single handled faucets for sale. The catalog has an unknown publication date which precedes the filing date of the subject application. Title unknown.

* cited by examiner

Primary Examiner—Louis S. Zarfaz

Assistant Examiner—Gregory Andoll

(74) *Attorney, Agent, or Firm*—Welsh & Katz, Ltd.

(57) **CLAIM**

The ornamental Design for a single handle faucet, substantially as shown and described.

DESCRIPTION

FIG. 1 is a perspective view of a design for a single handle faucet in accordance with the invention;

FIG. 2 is a front elevational view of the faucet of FIG. 1;

FIG. 3 is a rear elevational view of the faucet of FIG. 1;

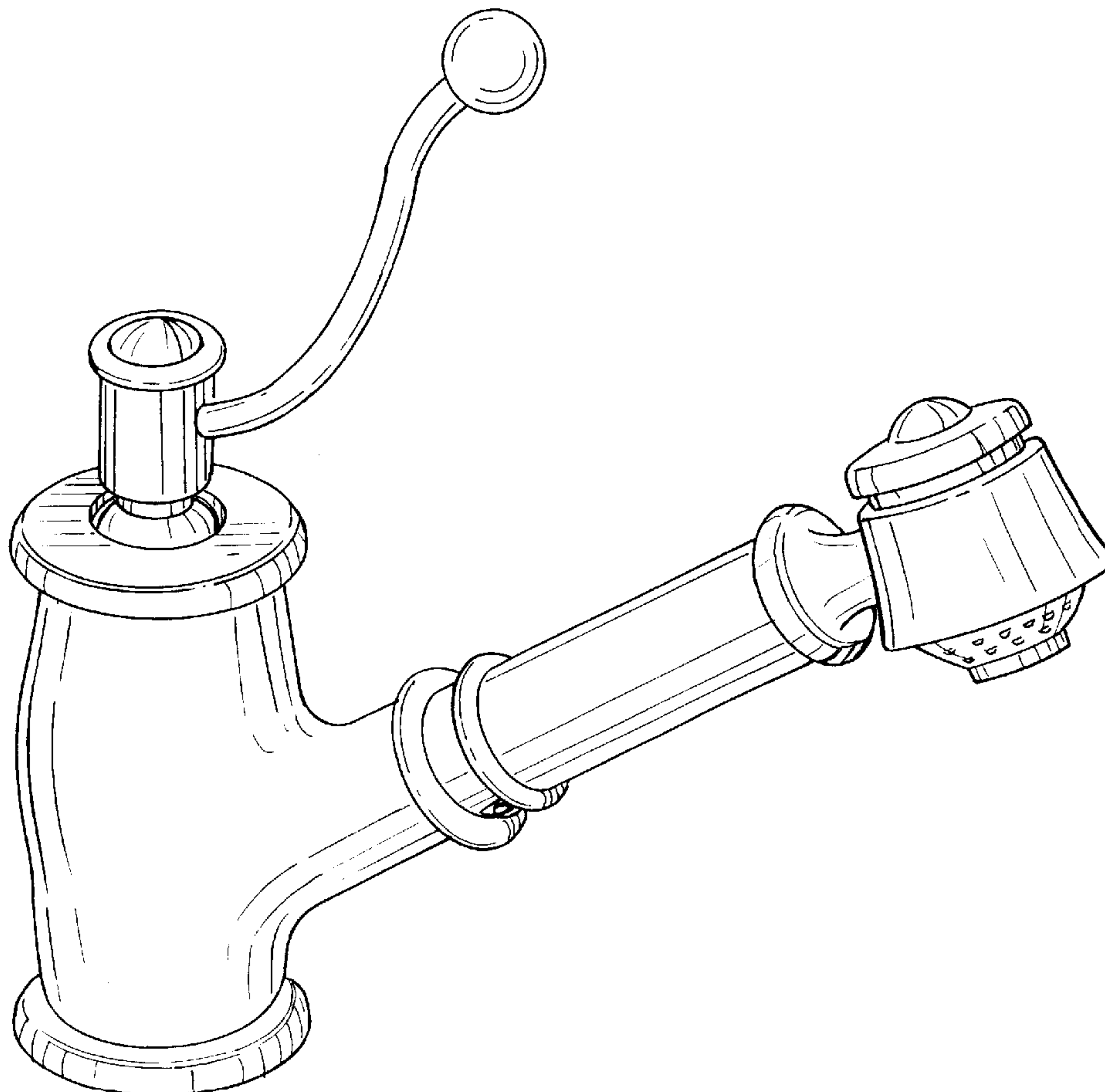
FIG. 4 is a top plan view of the faucet of FIG. 1;

FIG. 5 is a side elevational view of the faucet of FIG. 1, the other side being substantially identical; and,

FIG. 6 is a bottom plan view of the faucet of FIG. 1.

The broken lines in FIG. 6 are for illustrative purposes only and form no part of the claimed design.

1 Claim, 2 Drawing Sheets



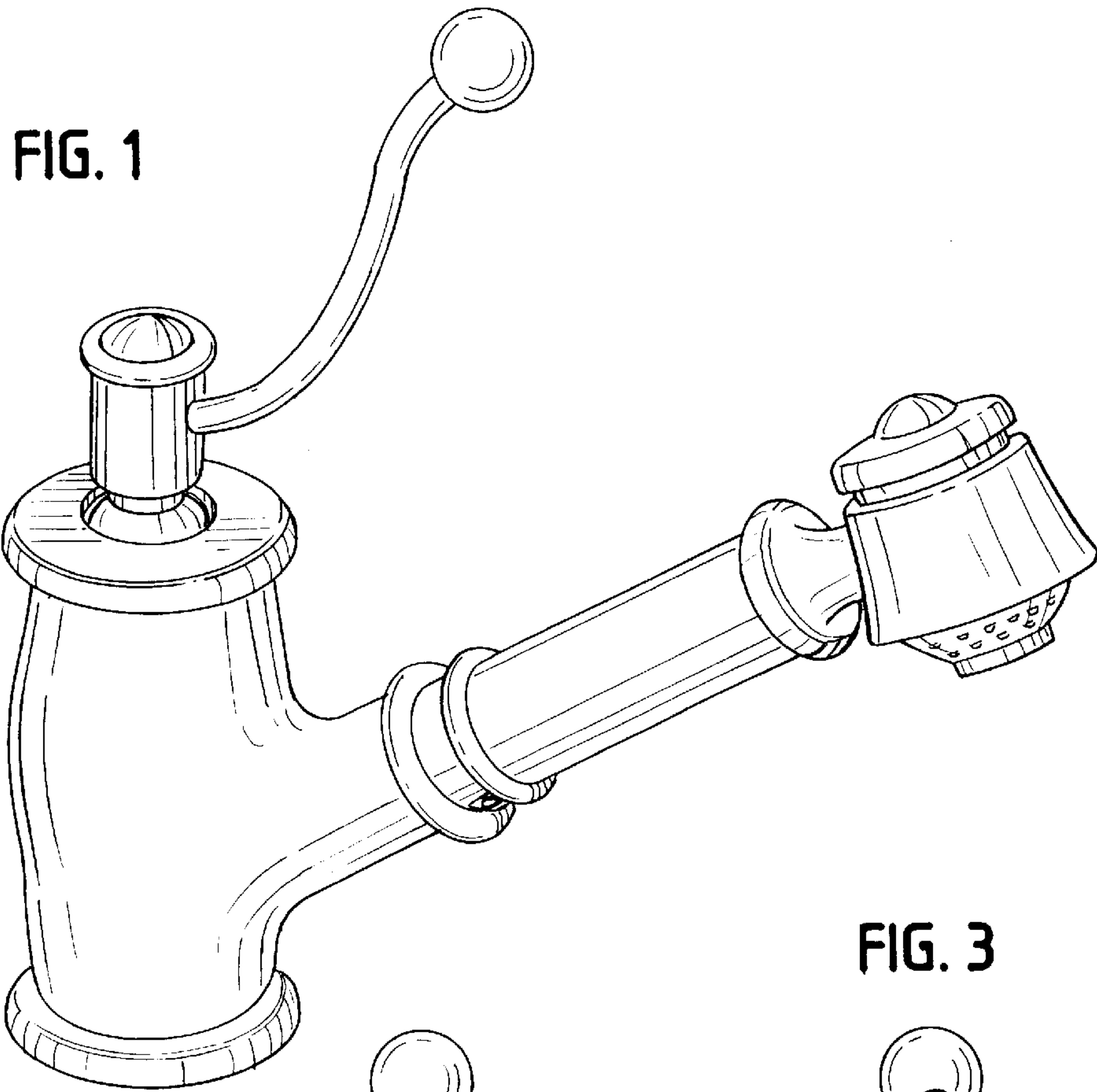


FIG. 2

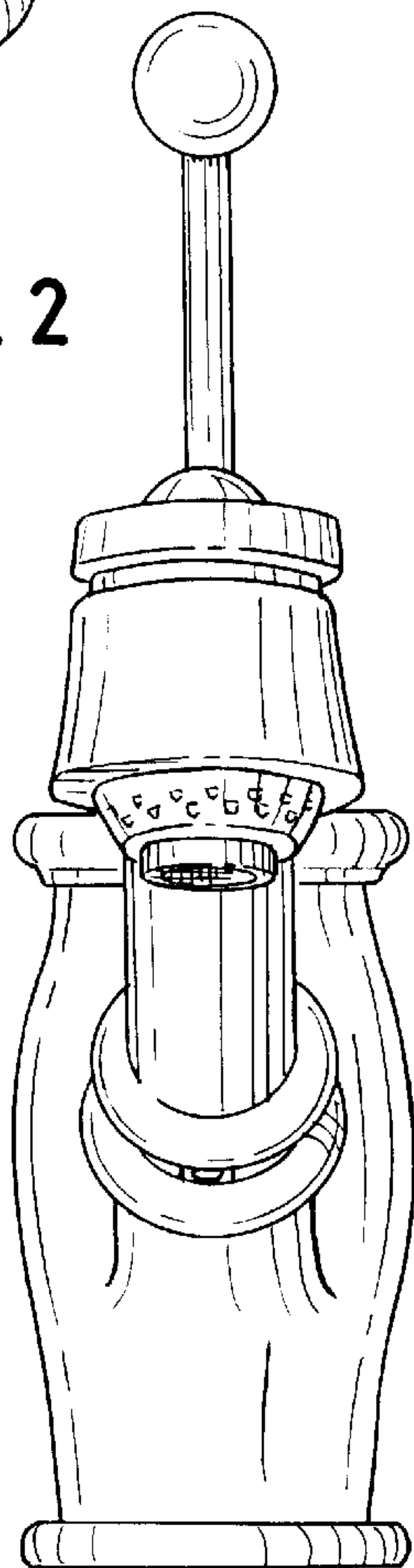


FIG. 3

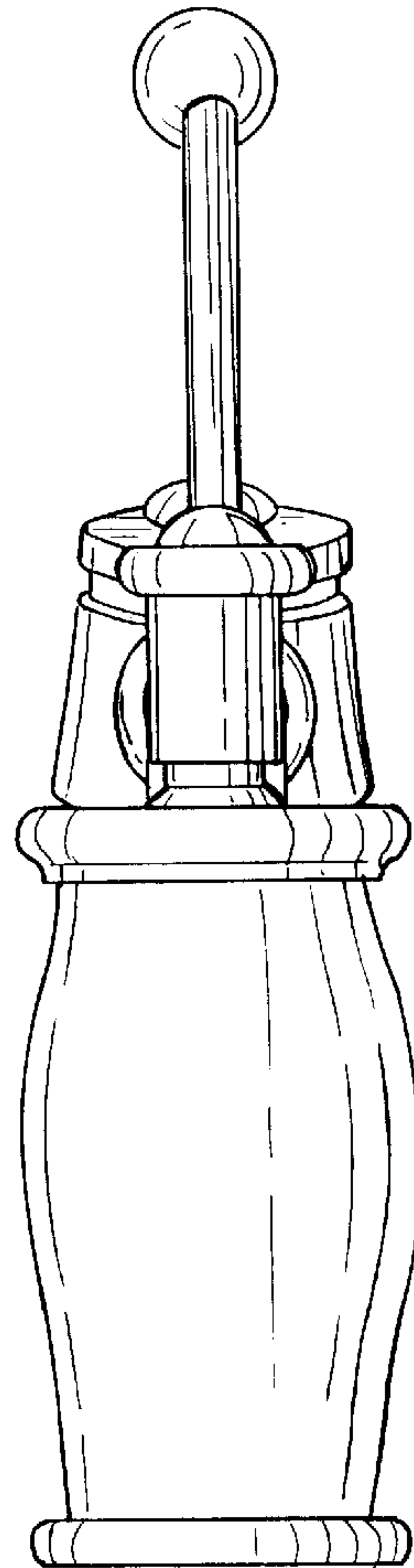


FIG. 4

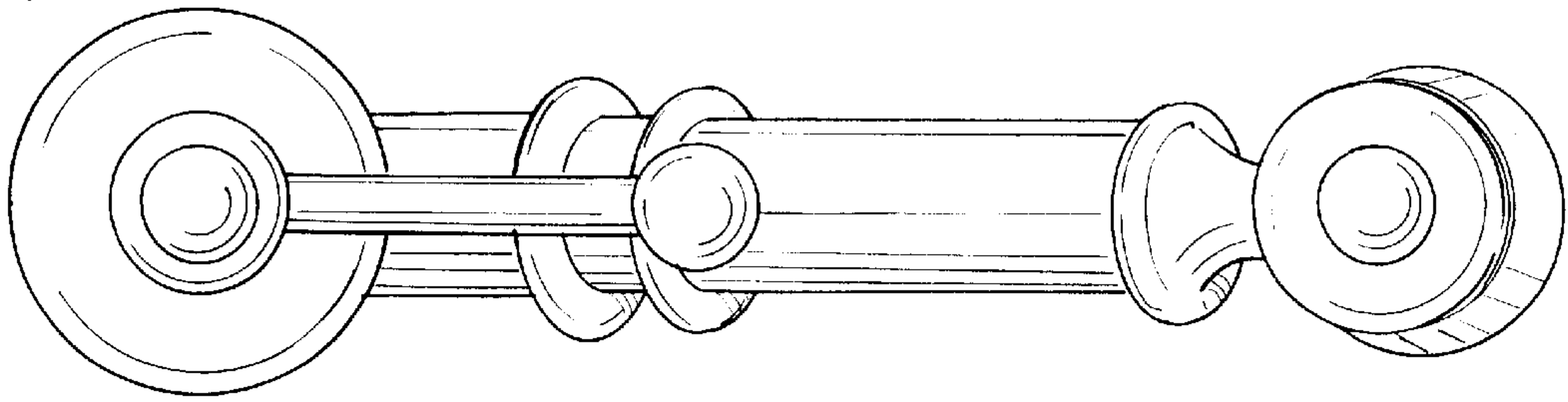


FIG. 5

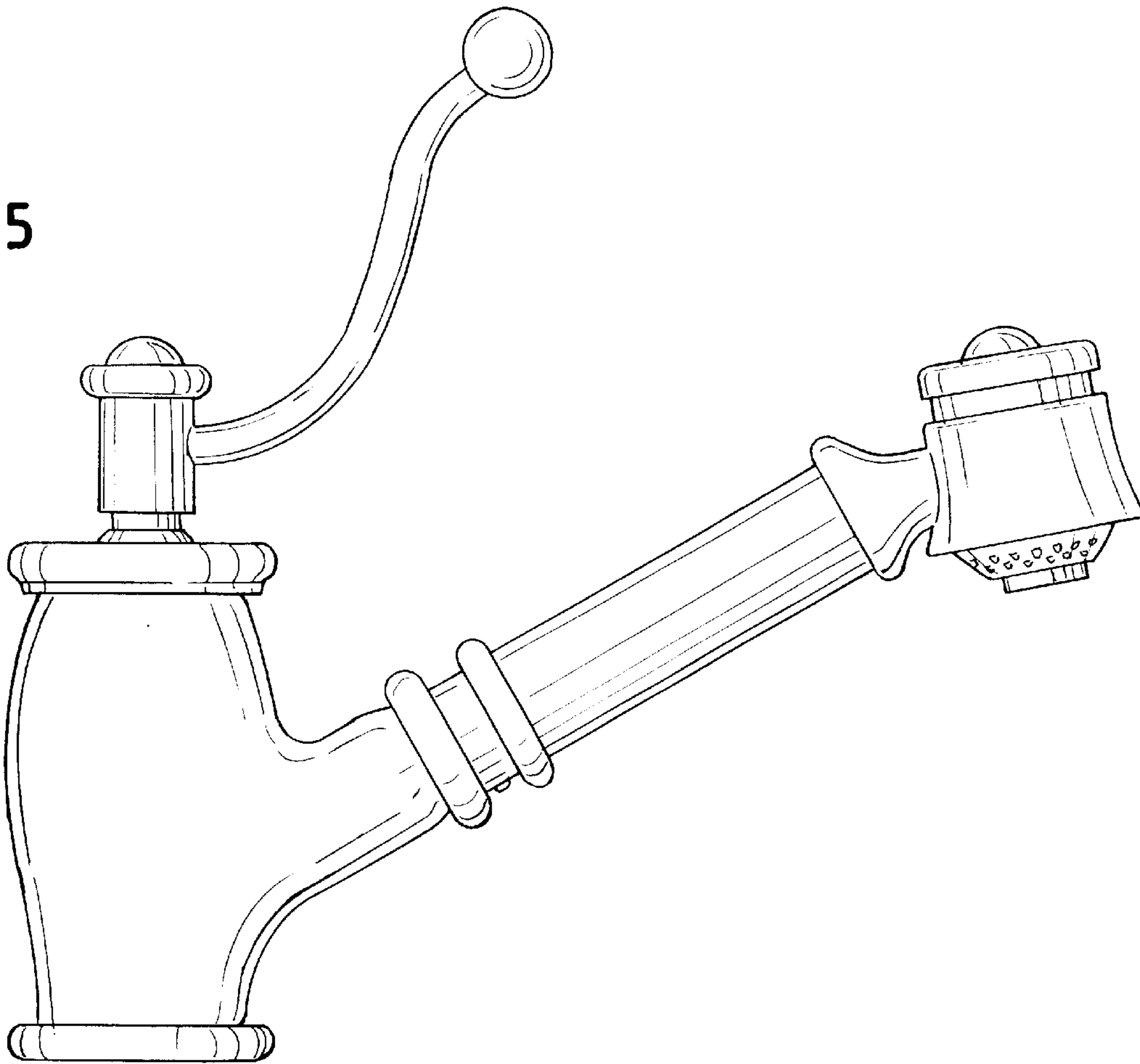


FIG. 6

