



US00D466580S

(12) **United States Design Patent** (10) **Patent No.:** **US D466,580 S**
Lu (45) **Date of Patent:** **** Dec. 3, 2002**

(54) **REEL DEVICE FOR FISHING RODS**

(76) Inventor: **Han-Chi Lu**, No.22, Jianren St.,
Taichung City (TW)

(**) Term: **14 Years**

(21) Appl. No.: **29/159,109**

(22) Filed: **Apr. 16, 2002**

(51) **LOC (7) Cl.** **22-05**

(52) **U.S. Cl.** **D22/137**

(58) **Field of Search** D22/137-142;
43/20-23, 81.1, 19, 19.2; 242/223, 224,
311

(56) **References Cited**

U.S. PATENT DOCUMENTS

- D189,721 S * 2/1961 Hull D22/137
- 4,528,769 A * 7/1985 Yamamoto 43/22
- D407,136 S * 3/1999 Merrill et al. D22/137

D422,672 S * 4/2000 Rich D22/139

* cited by examiner

Primary Examiner—Catherine R. Oliver

(74) *Attorney, Agent, or Firm*—Charles E. Baxley

(57) **CLAIM**

The ornamental design for a reel device for fishing rods, as shown and described.

DESCRIPTION

FIG. 1 is a perspective view of a reel device for fishing rods showing my new design;

FIG. 2 is a frontal elevational view thereof;

FIG. 3 is a rear side elevational view thereof;

FIG. 4 is a left side elevational view thereof;

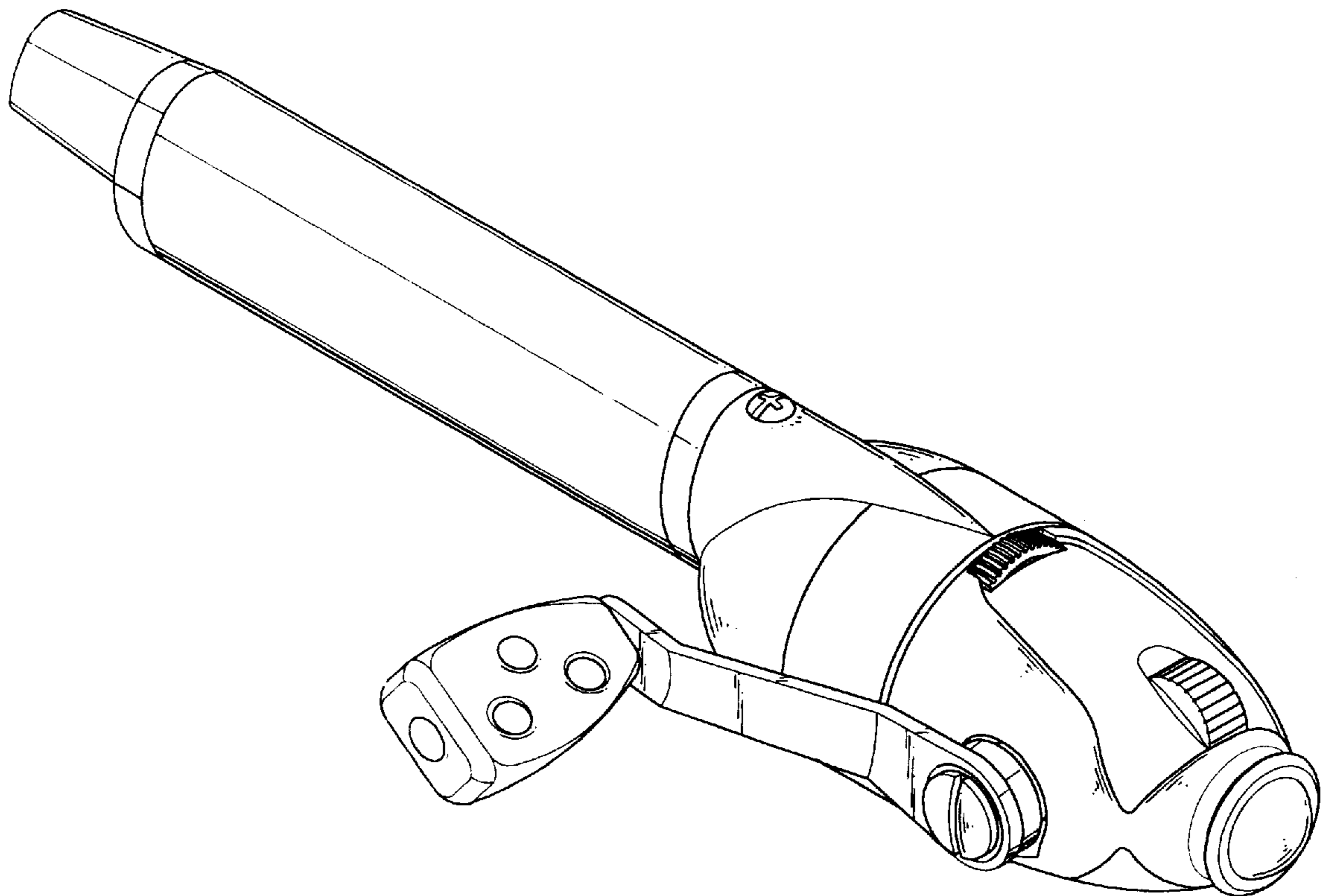
FIG. 5 is a right side elevational view thereof;

FIG. 6 is a top plan view thereof;

FIG. 7 is a bottom plan view thereof; and,

FIG. 8 is a perspective view of the reel device for fishing rods.

1 Claim, 7 Drawing Sheets



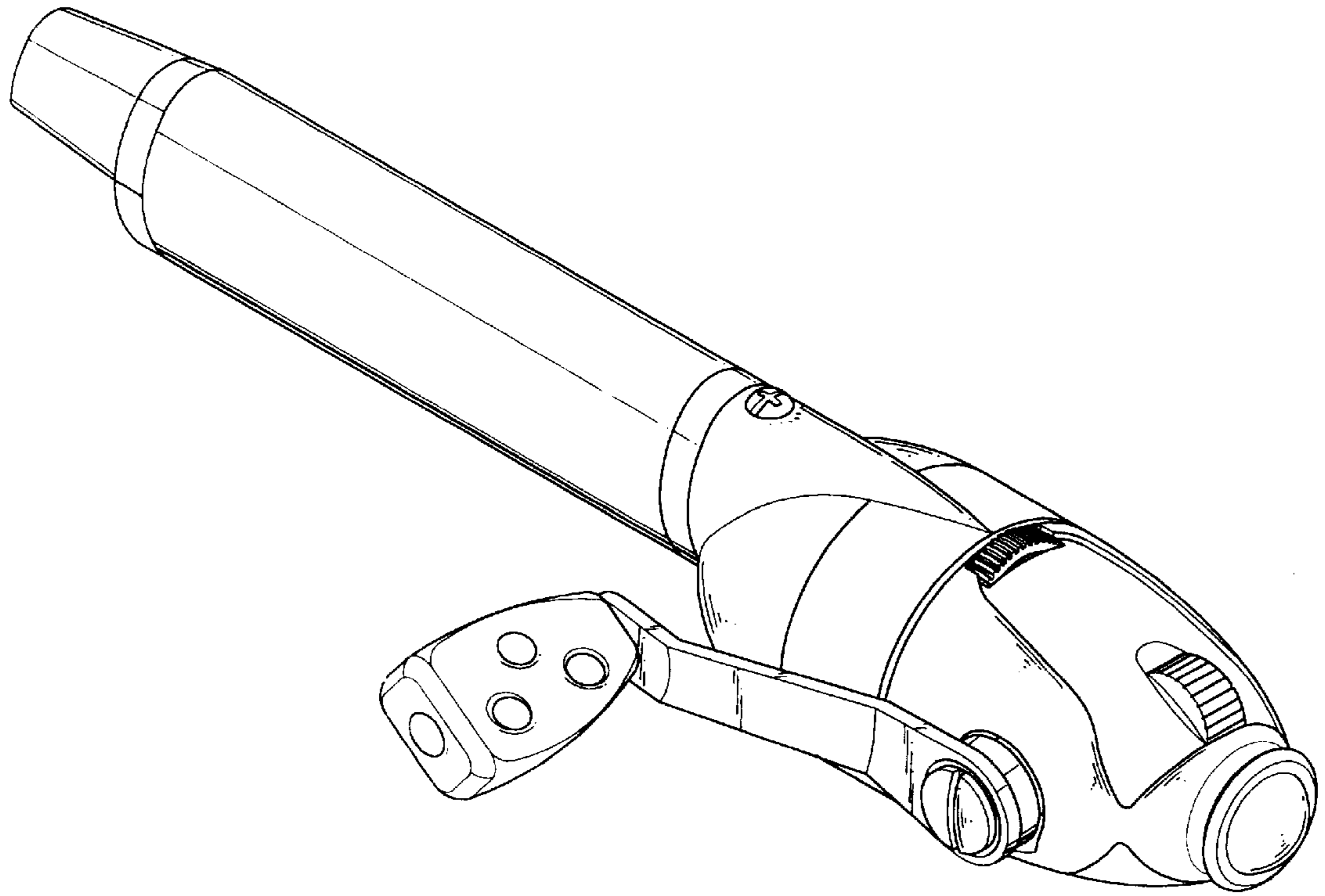


FIG. 1

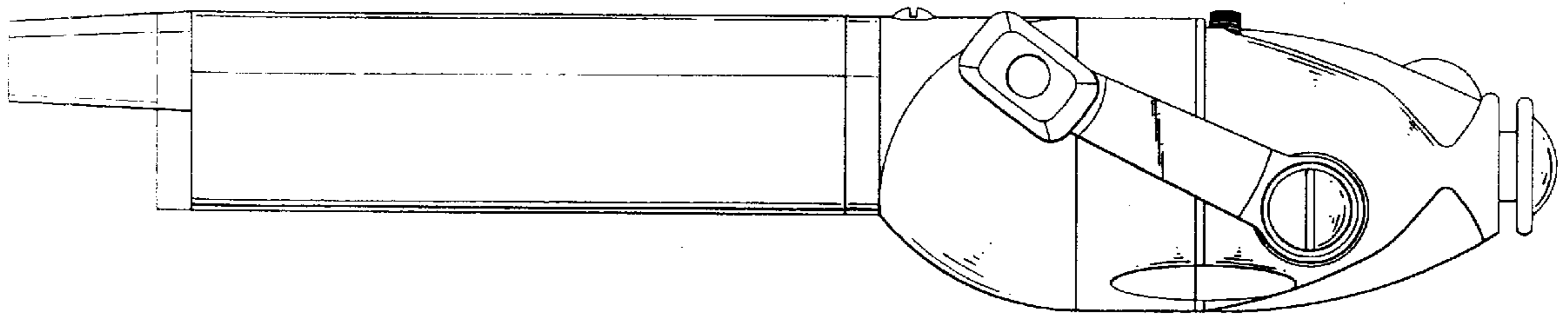


FIG. 2

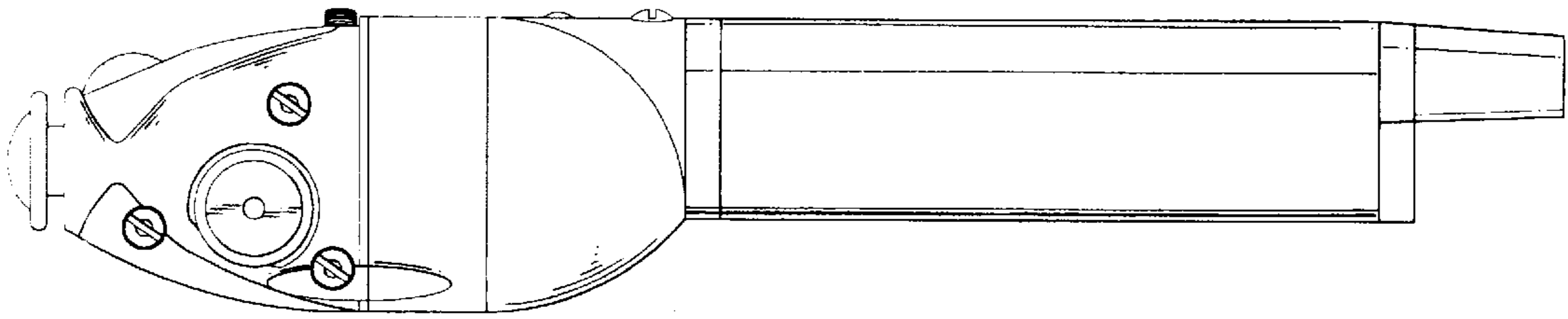


FIG. 3

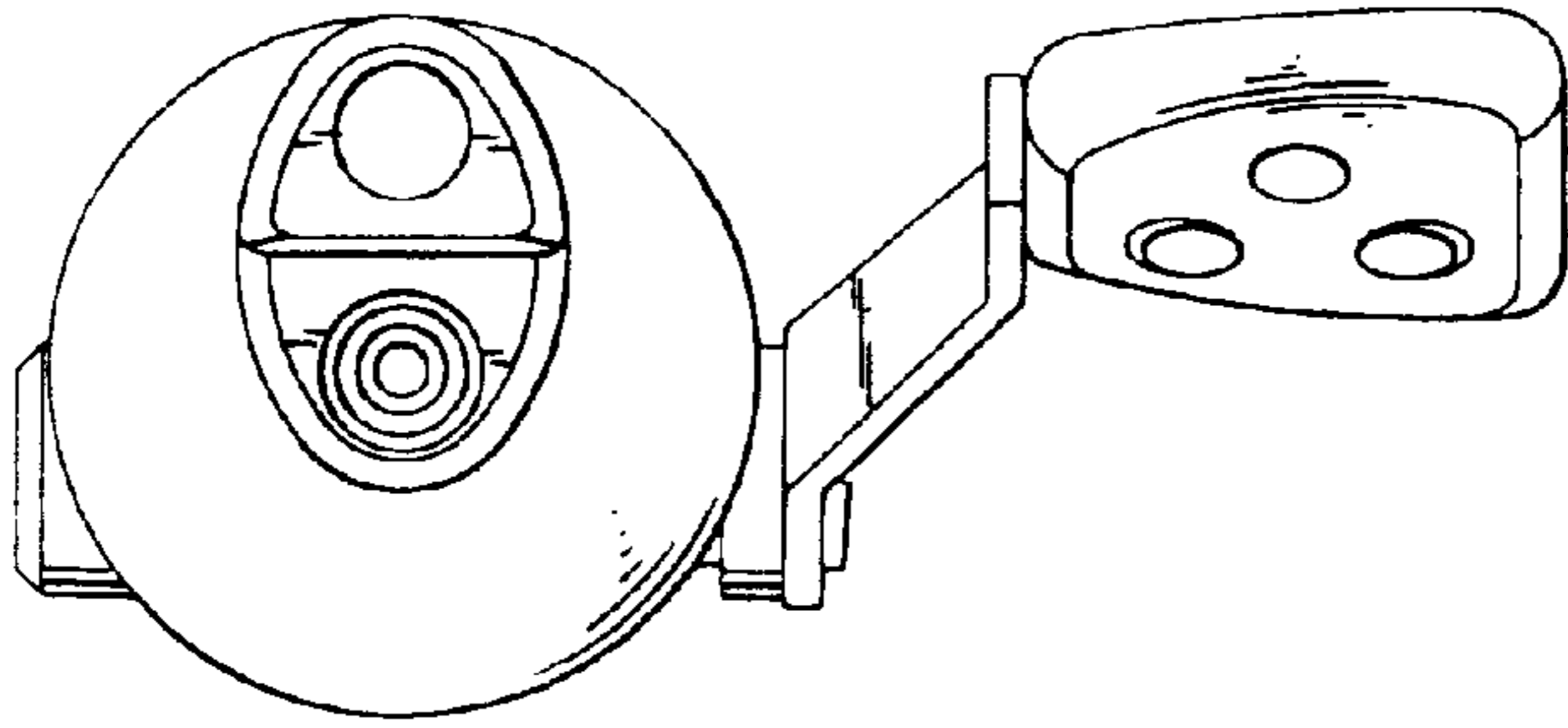


FIG. 4

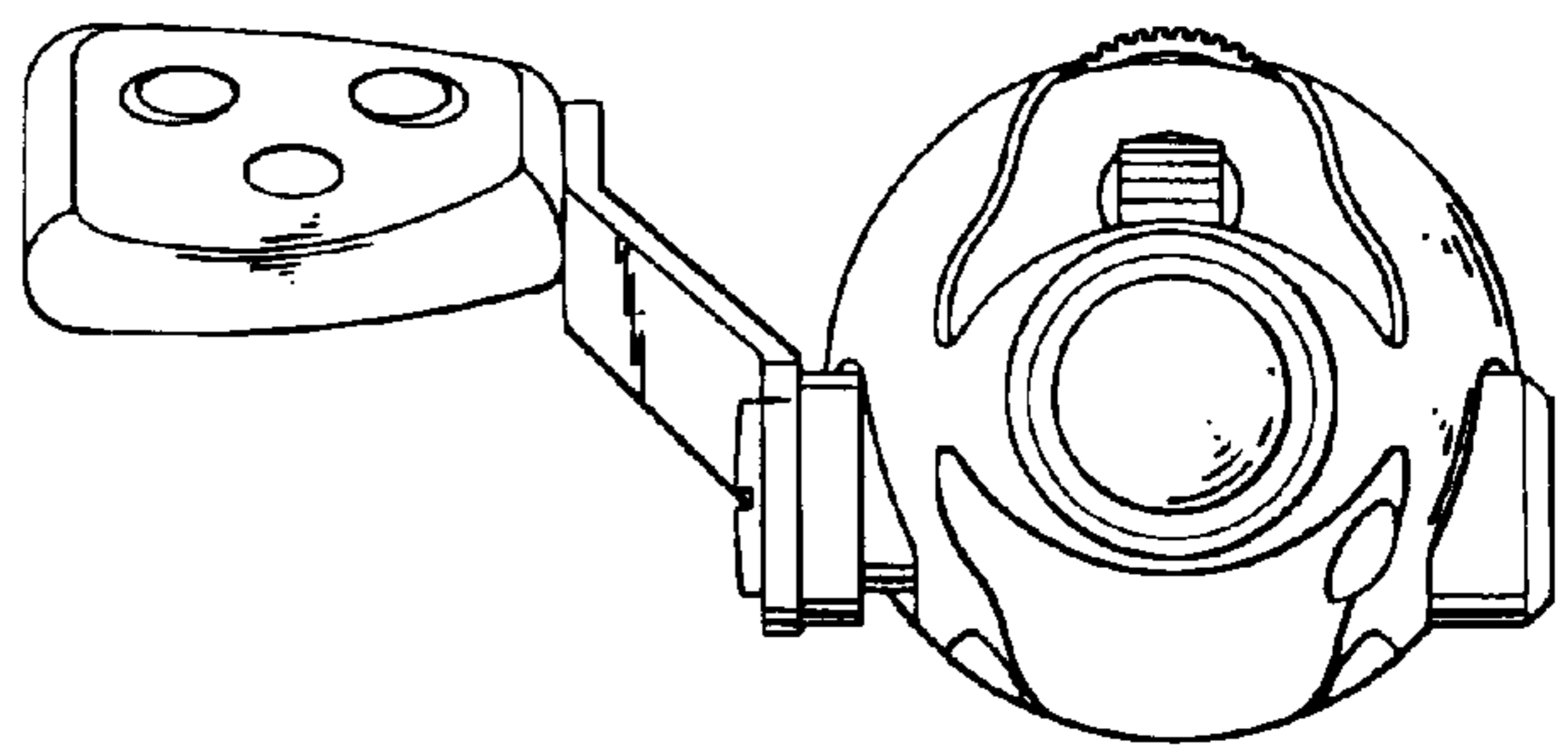


FIG. 5

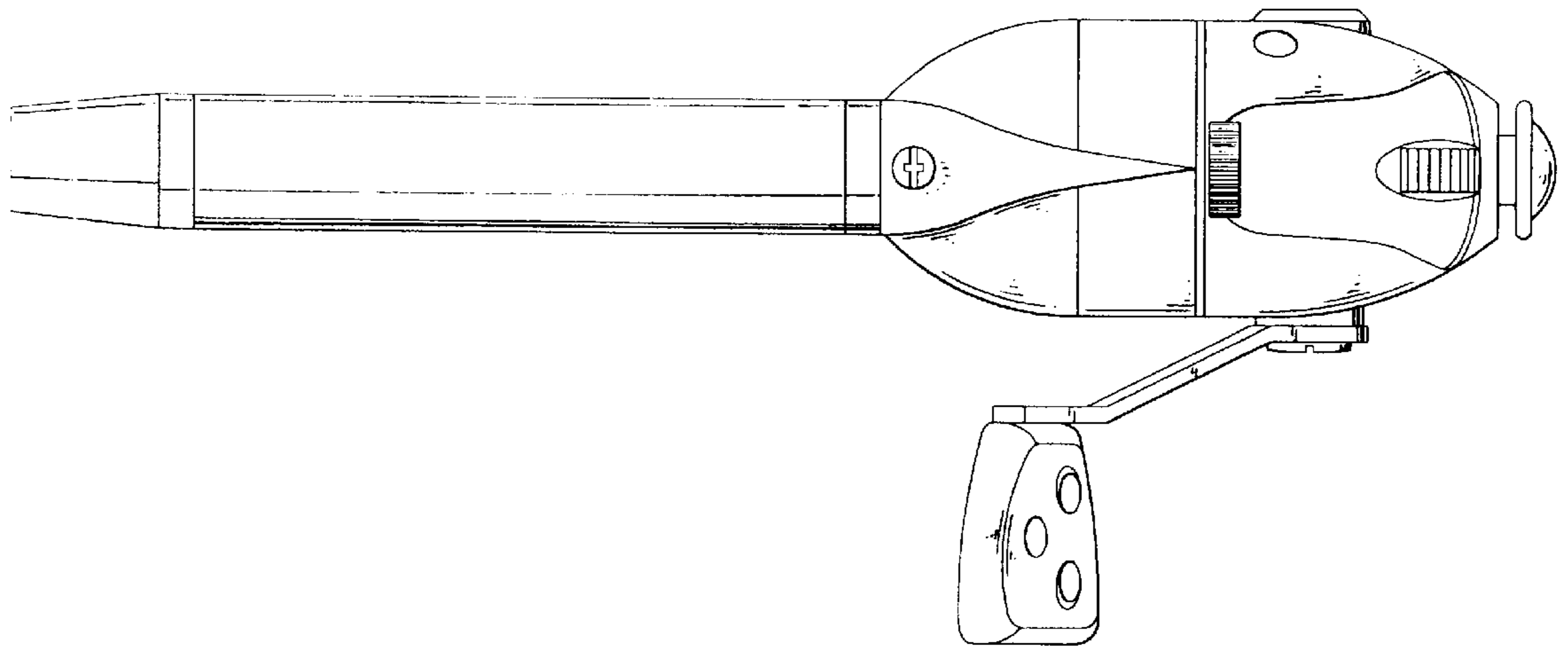


FIG. 6

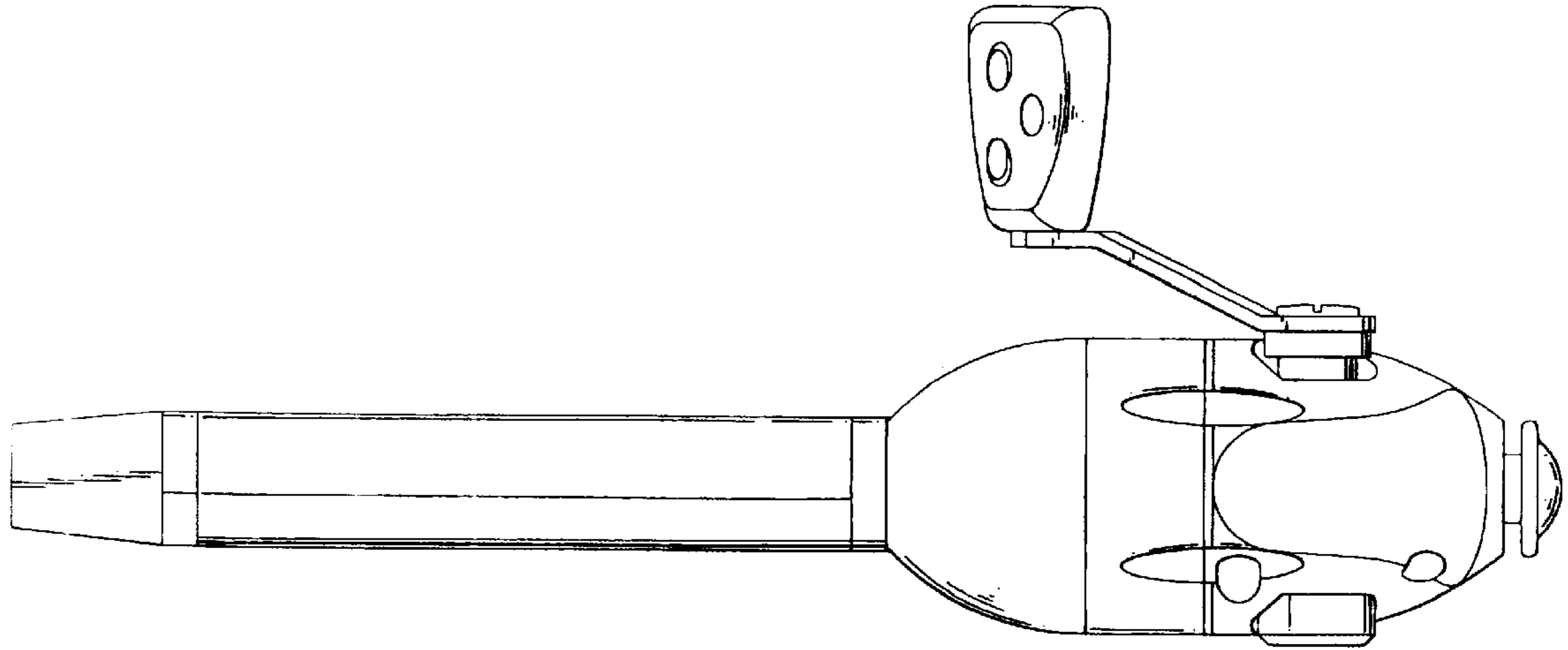


FIG. 7

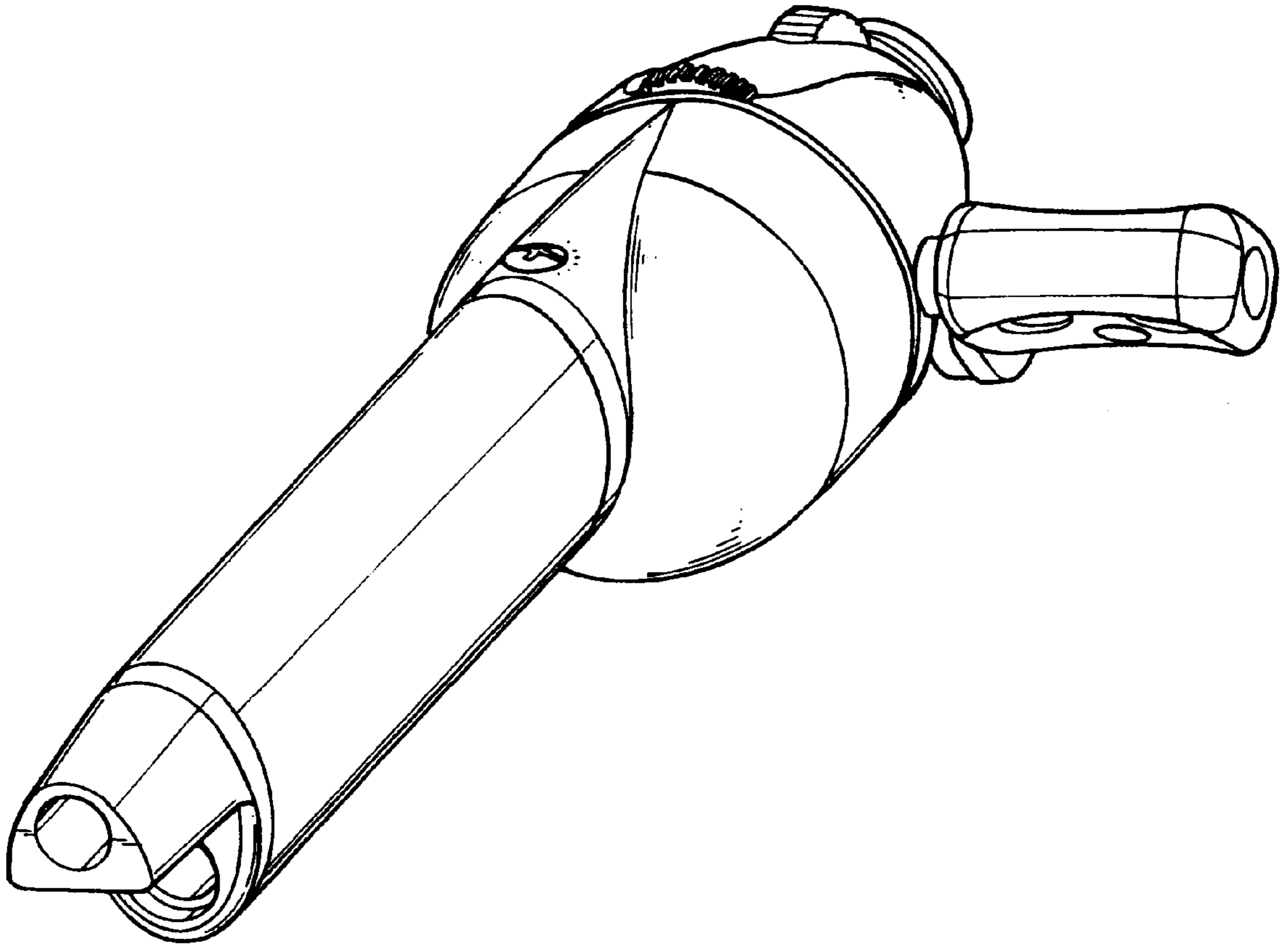


FIG. 8