



US00D466579S

(12) **United States Design Patent** (10) **Patent No.:** **US D466,579 S**
Spiro et al. (45) **Date of Patent:** **** Dec. 3, 2002**

(54) **MOSQUITO TRAPPING DEVICE**

(75) Inventors: **Matthew Spiro**, Lake Mary, FL (US);
Robert W. J. Weiss, Orlando, FL (US)

(73) Assignee: **Lentek International, Inc.**, Orlando,
FL (US)

(**) Term: **14 Years**

(21) Appl. No.: **29/155,149**

(22) Filed: **Feb. 4, 2002**

(51) **LOC (7) Cl.** **22-05**

(52) **U.S. Cl.** **D22/122**

(58) **Field of Search** D22/119-125;
43/112, 113, 114, 121, 131, 139, 124

(56) **References Cited**

U.S. PATENT DOCUMENTS

429,345 A *	6/1890	Gray	43/113
4,157,629 A *	6/1979	Parks	43/113
4,788,789 A *	12/1988	Boobar et al.	43/113
5,157,865 A *	10/1992	Chang	43/113
D348,715 S *	7/1994	Warner	D22/122
D359,790 S *	6/1995	Blotnick	D22/122
5,813,166 A *	9/1998	Witon et al.	43/113

* cited by examiner

Primary Examiner—Catherine R. Oliver

(74) *Attorney, Agent, or Firm*—Allen, Dyer, Doppelt,
Milbrath & Gilchrist, P.A.

(57) **CLAIM**

The ornamental design for the mosquito trapping device, as
shown and described.

DESCRIPTION

FIG. 1 is a perspective view of a first embodiment of the
mosquito trapping device of the present invention.

FIG. 2 is a front elevation view of the mosquito trapping
device shown in FIG. 1.

FIG. 3 is a right side elevation view of the mosquito trapping
device shown in FIG. 1.

FIG. 4 is a top plan view of the mosquito trapping device
shown in FIG. 1.

FIG. 5 is a bottom plan view of the mosquito trapping device
shown in FIG. 1.

FIG. 6 is a rear elevation view of the mosquito trapping
device shown in FIG. 1.

FIG. 7 is a left side elevation view of the mosquito trapping
device shown in FIG. 1.

FIG. 8 is an isometric view of a second embodiment of the
mosquito trapping device showing a propane tank secured
on the base.

FIG. 9 is a front elevation view of the mosquito trapping
device shown in FIG. 8.

FIG. 10 is a right side elevation view of the mosquito
trapping device shown in FIG. 8.

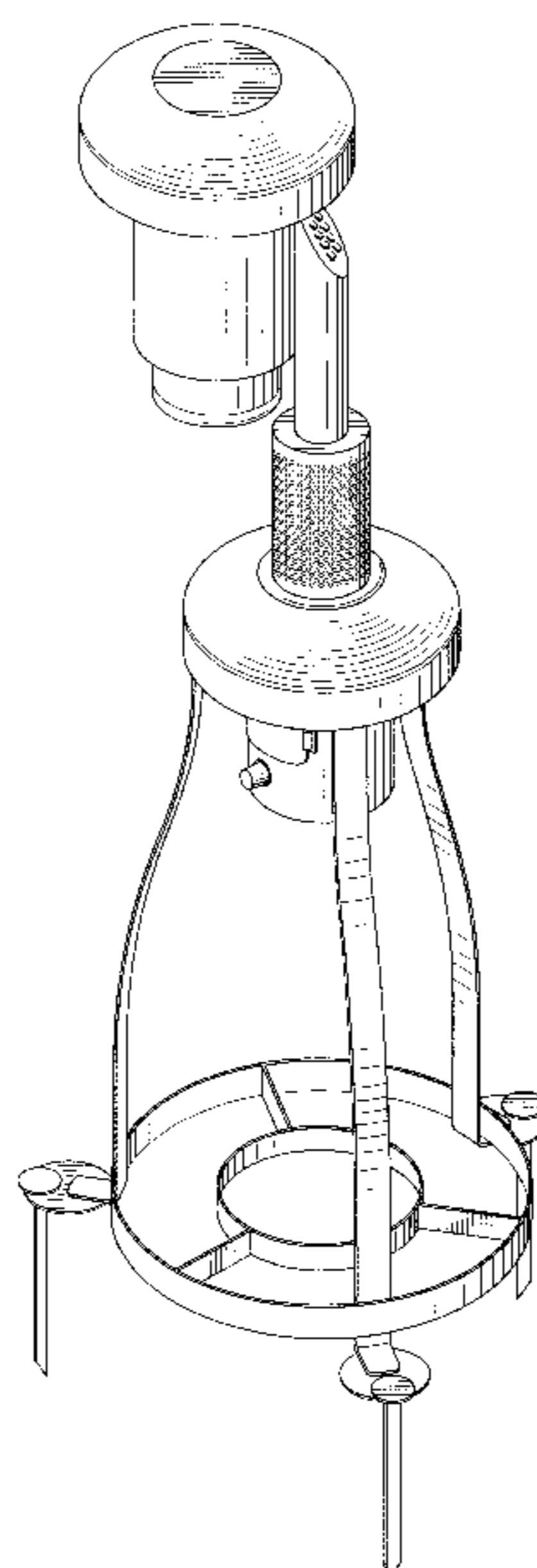
FIG. 11 is a top plan view of the mosquito trapping device
shown in FIG. 8.

FIG. 12 is a bottom plan view of the mosquito trapping
device shown in FIG. 8.

FIG. 13 is a rear elevation view of the mosquito trapping
device shown in FIG. 8; and,

FIG. 14 is a left side elevation view of the mosquito trapping
device shown in FIG. 8.

1 Claim, 12 Drawing Sheets



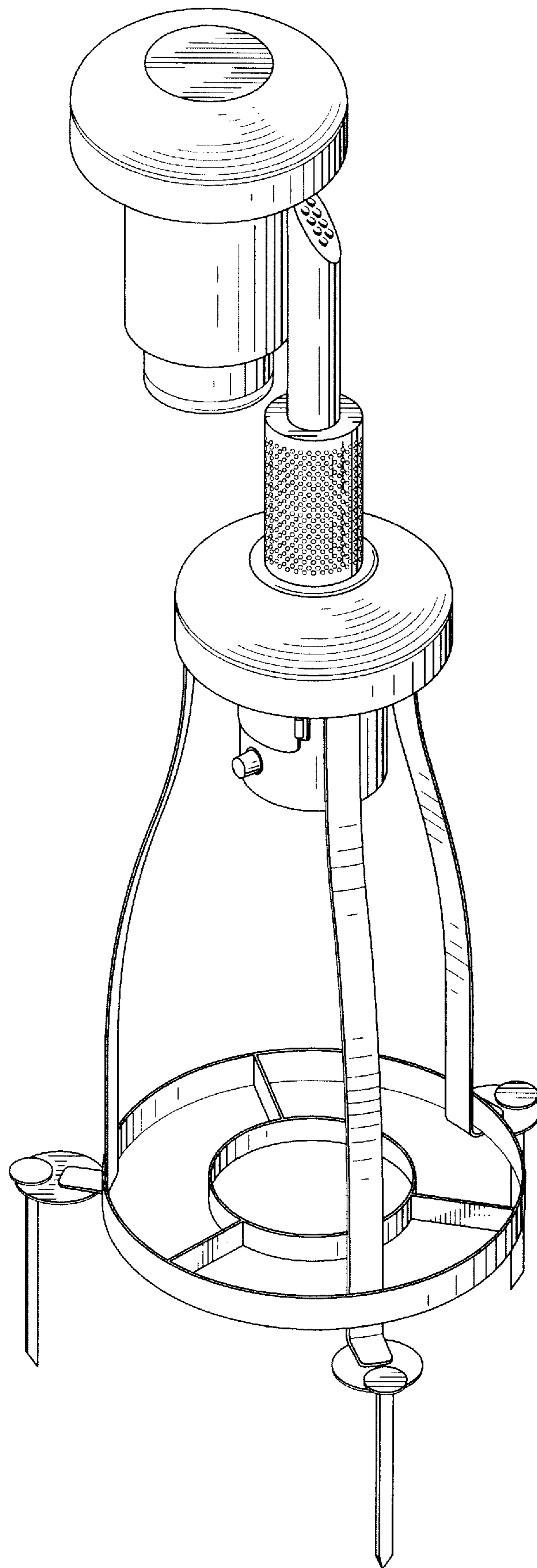


FIG. 1.

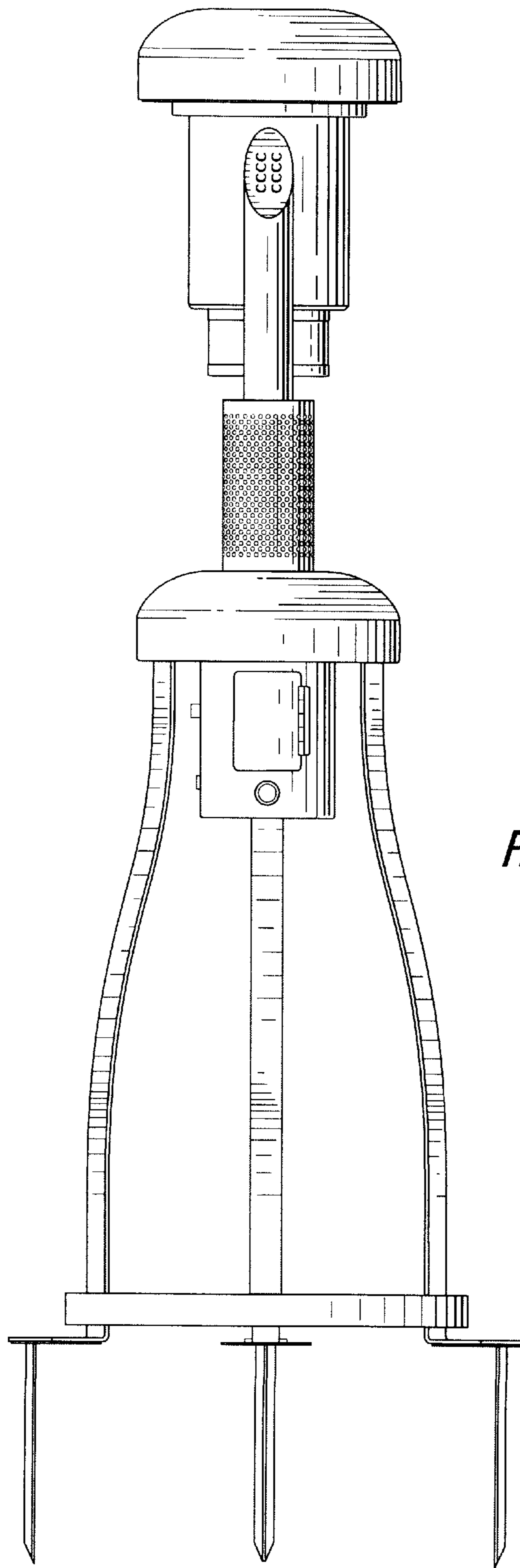


FIG. 2.

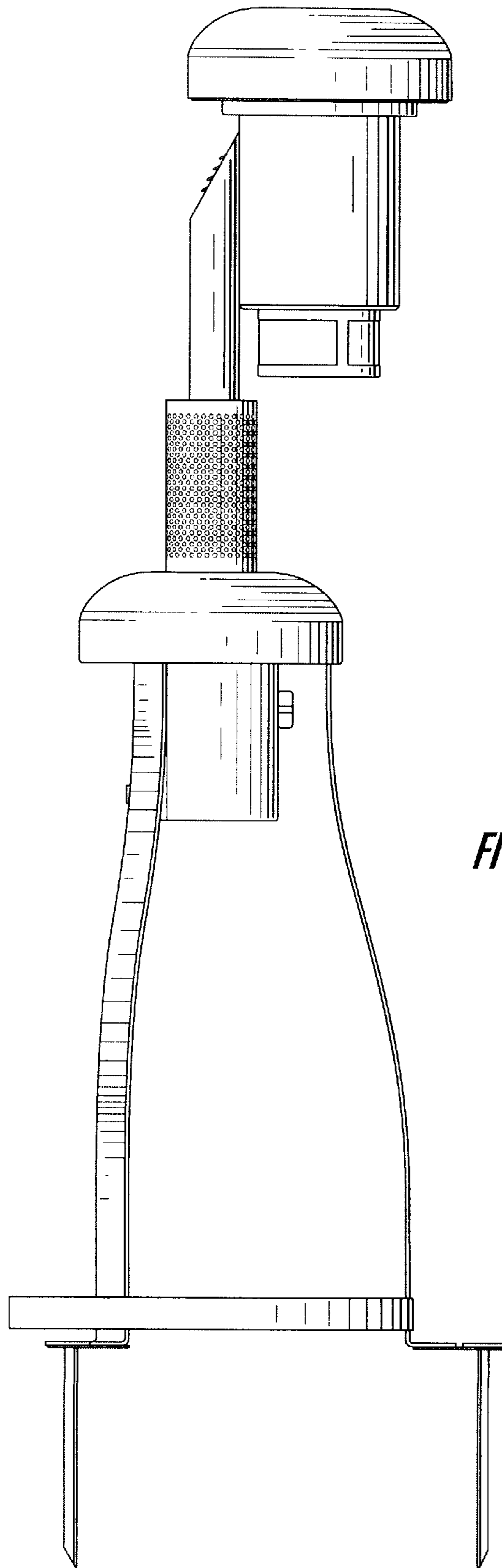


FIG. 3.

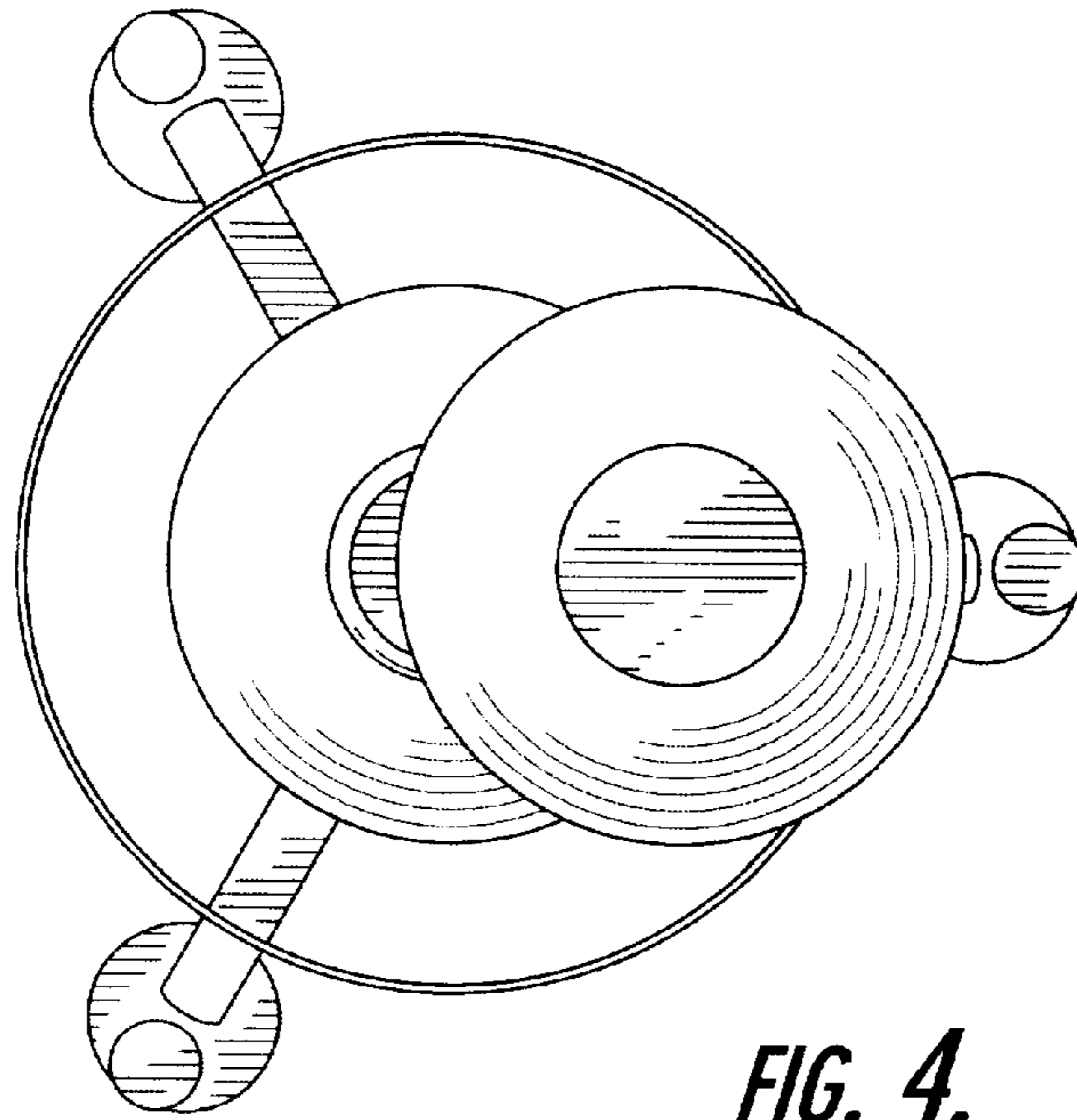


FIG. 4.

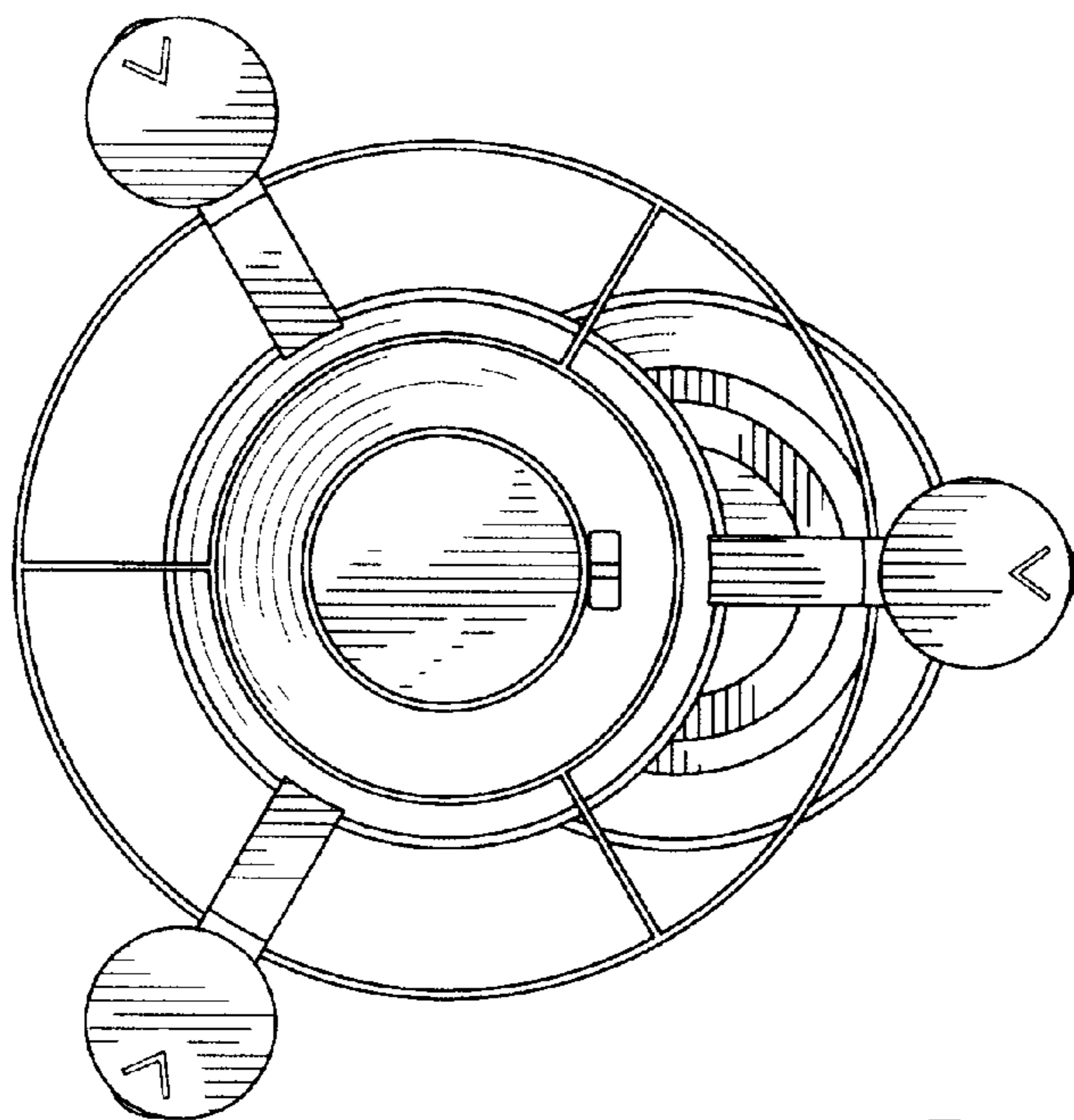


FIG. 5.

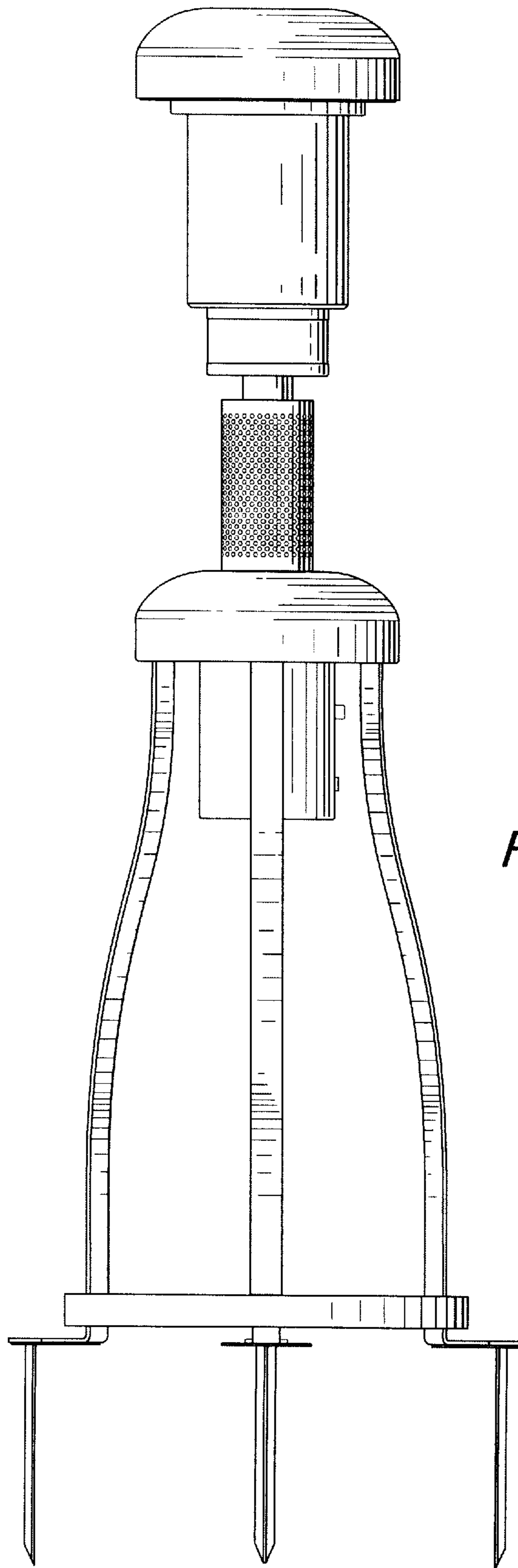


FIG. 6.

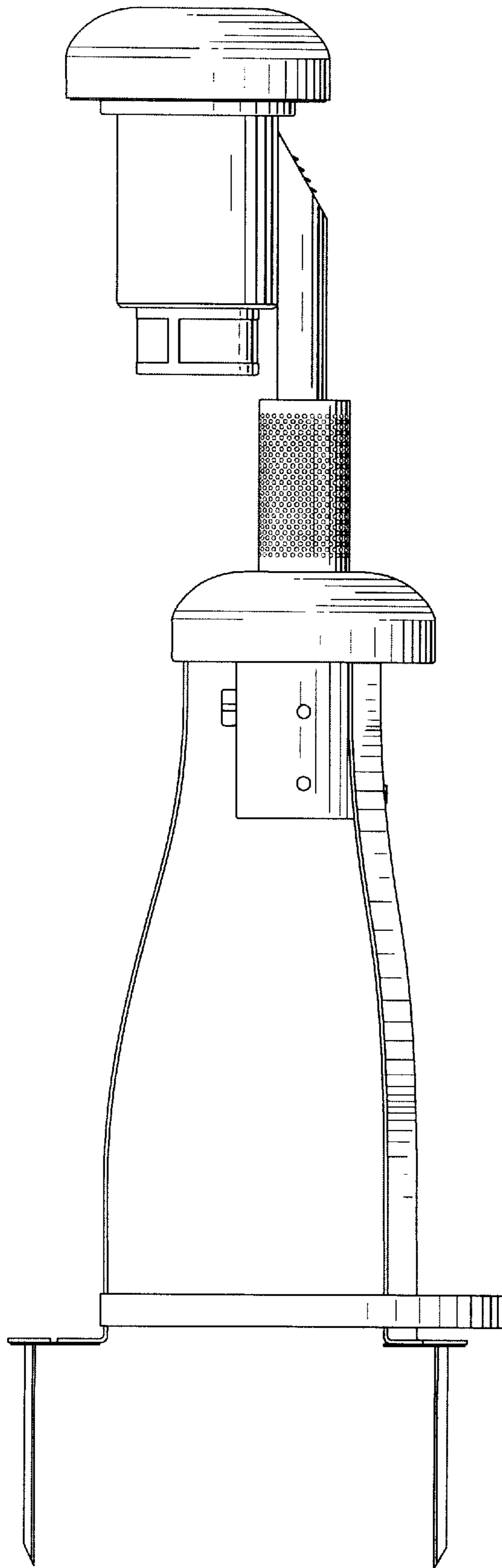


FIG. 7.

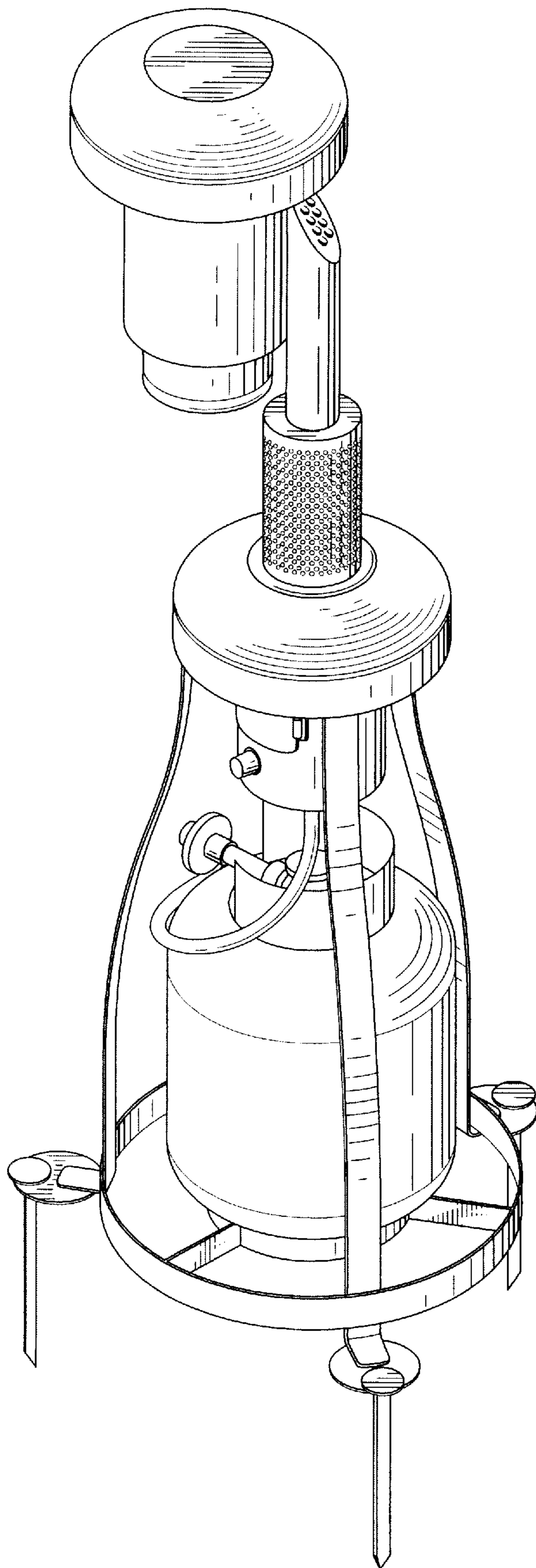


FIG. 8.

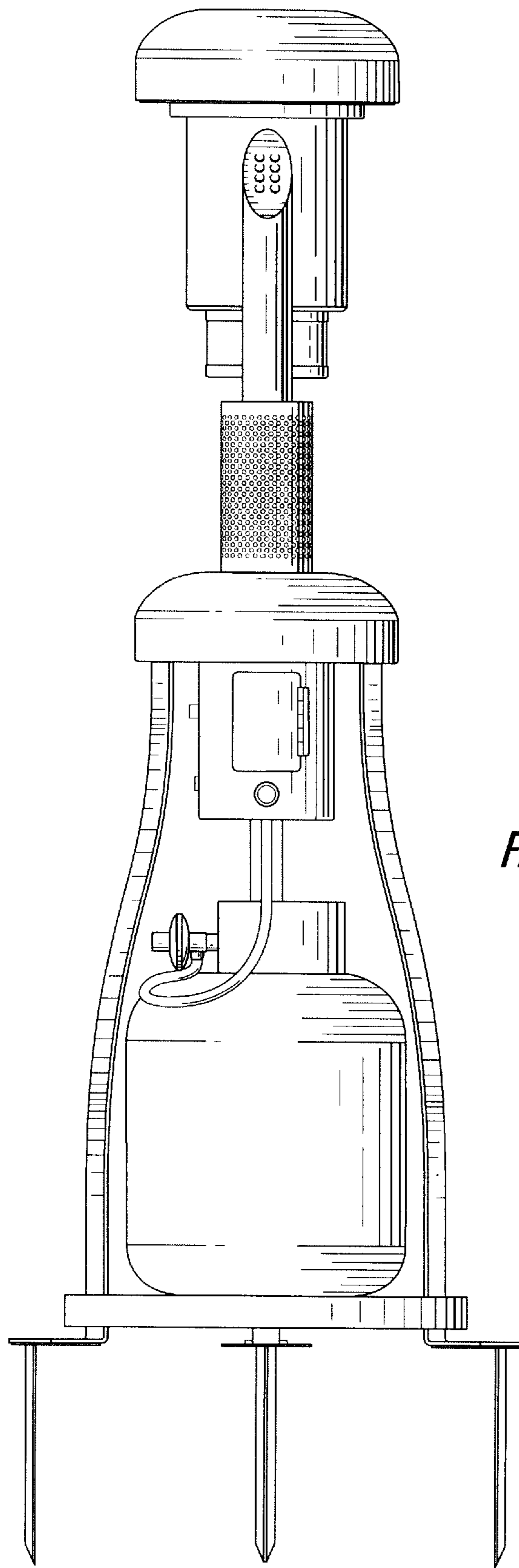


FIG. 9.

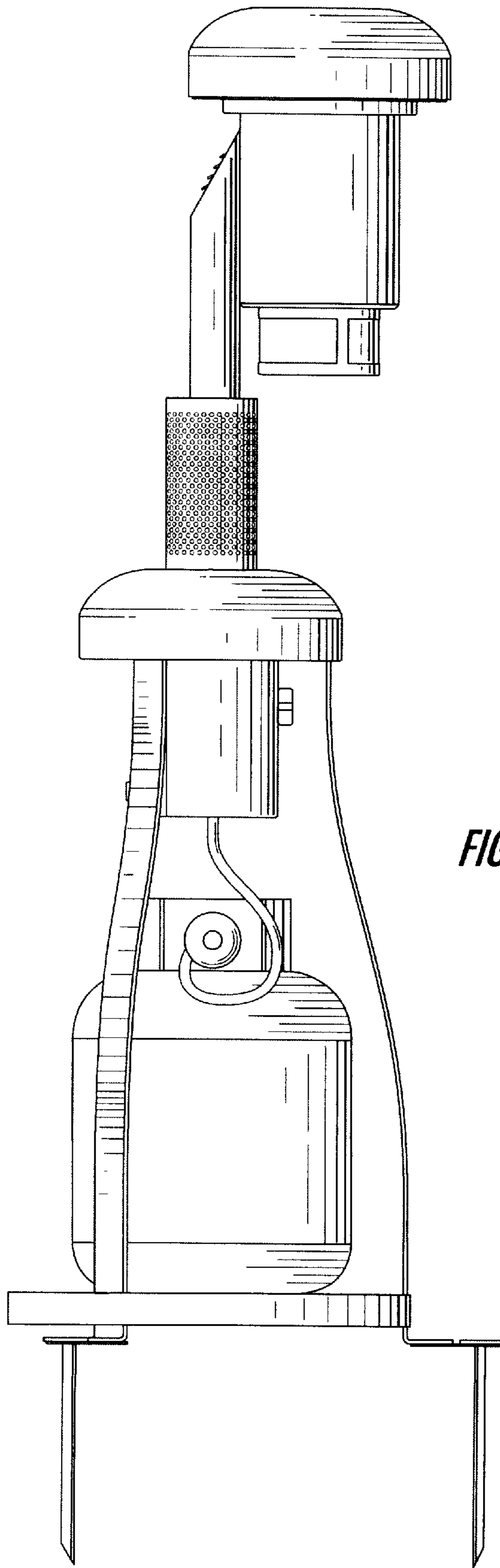


FIG. 10.

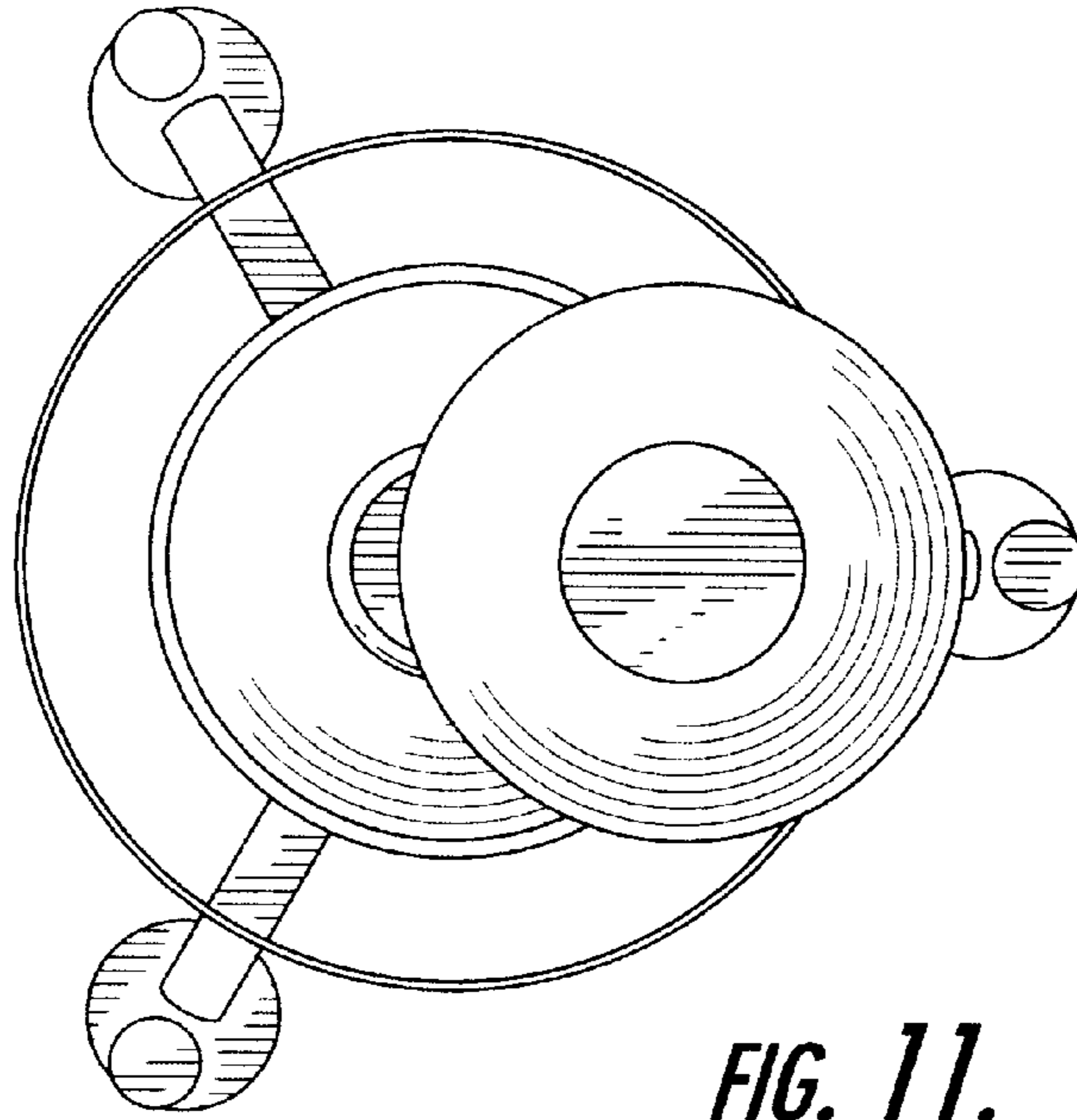


FIG. 11.

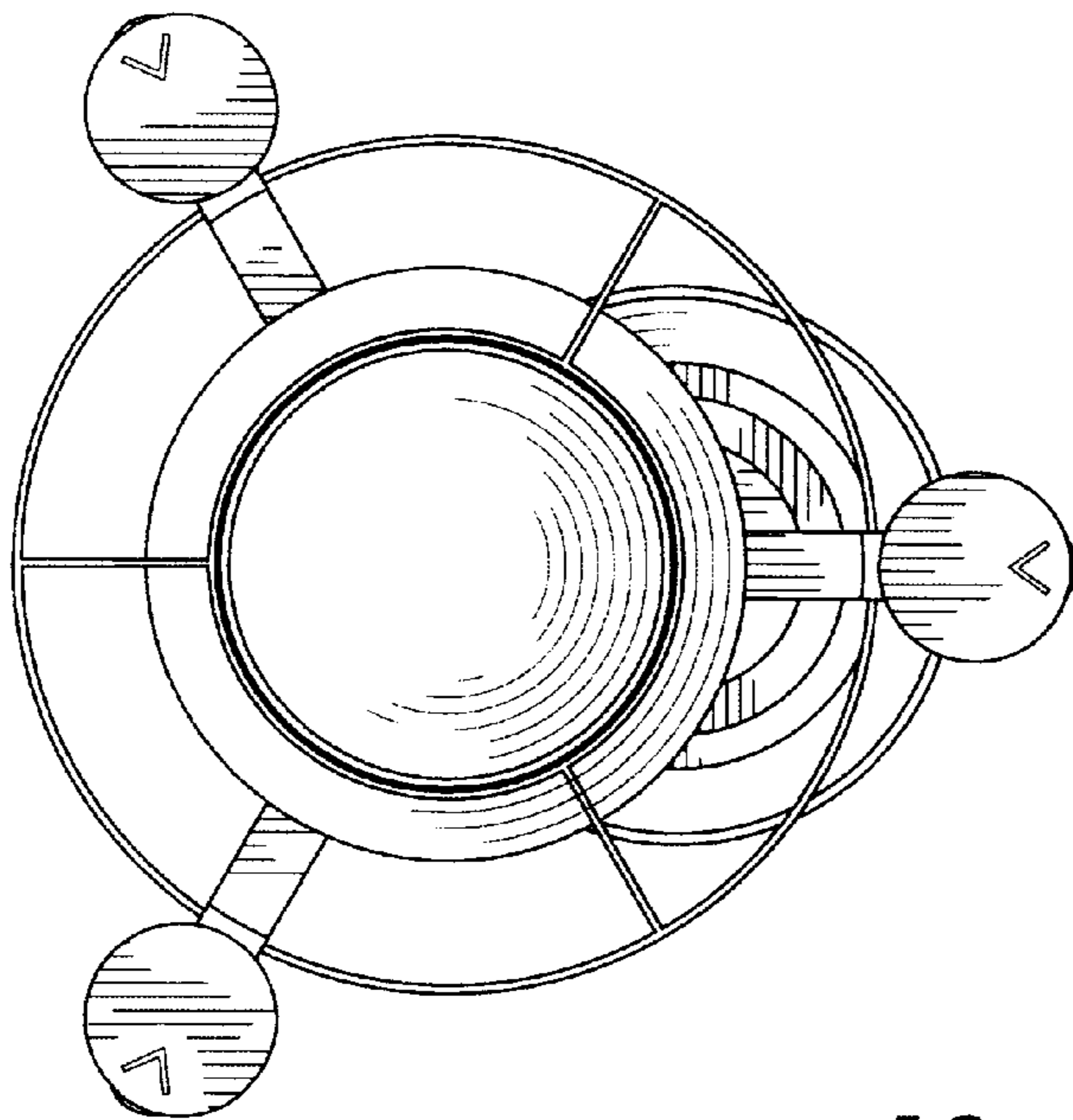


FIG. 12.

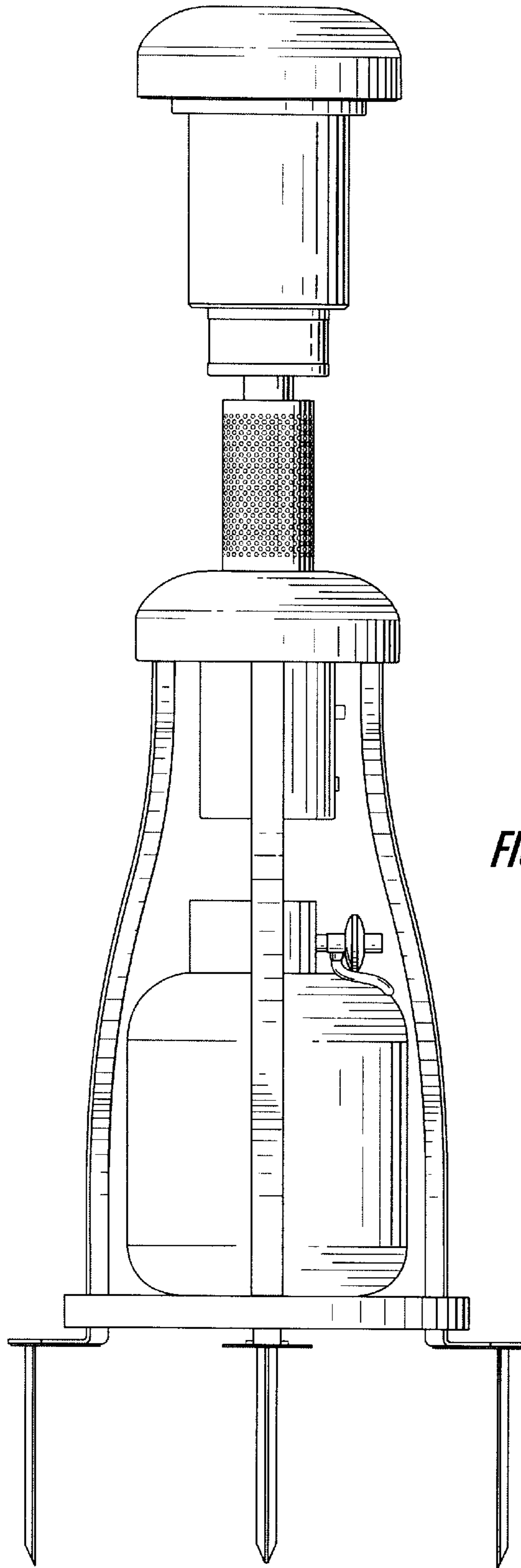


FIG. 13.

FIG. 14.

