



US00D466578S

(12) **United States Design Patent**
Wilgus et al.

(10) **Patent No.:** **US D466,578 S**

(45) **Date of Patent:** **** Dec. 3, 2002**

(54) **MOSQUITO REPELLER**

(75) Inventors: **Mitchell Wilgus**, Andover, KS (US);
Kelly Wright, Wichita, KS (US)

(73) Assignee: **The Coleman Company, Inc.**, Wichita,
KS (US)

(**) Term: **14 Years**

(21) Appl. No.: **29/158,706**

(22) Filed: **Apr. 5, 2002**

(51) **LOC (7) Cl.** **22-06**

(52) **U.S. Cl.** **D22/120**

(58) **Field of Search** D22/120, 119-125;
43/112, 113, 139, 107, 111, 114

(56) **References Cited**

U.S. PATENT DOCUMENTS

D227,764 S * 7/1973 Katsuda D22/120

D228,652 S * 10/1973 Byerley D22/120
5,595,018 A * 1/1997 Wilbanks 43/112
D430,259 S * 8/2000 Jan D22/120
6,305,122 B1 * 10/2001 Iwao et al. 43/112
D458,334 S * 6/2002 Levine D22/120
6,421,952 B1 * 7/2002 Vasocu 43/113

* cited by examiner

Primary Examiner—Catherine R. Oliver

(57) **CLAIM**

The ornamental design for a mosquito repeller, as shown and described.

DESCRIPTION

FIG 1 is a top left front perspective view of the mosquito repeller showing the new design; FIG. 2 is a front elevation view thereof; FIG. 3 is a top plan view thereof; and, FIG. 4 is a bottom plan view thereof.

1 Claim, 2 Drawing Sheets

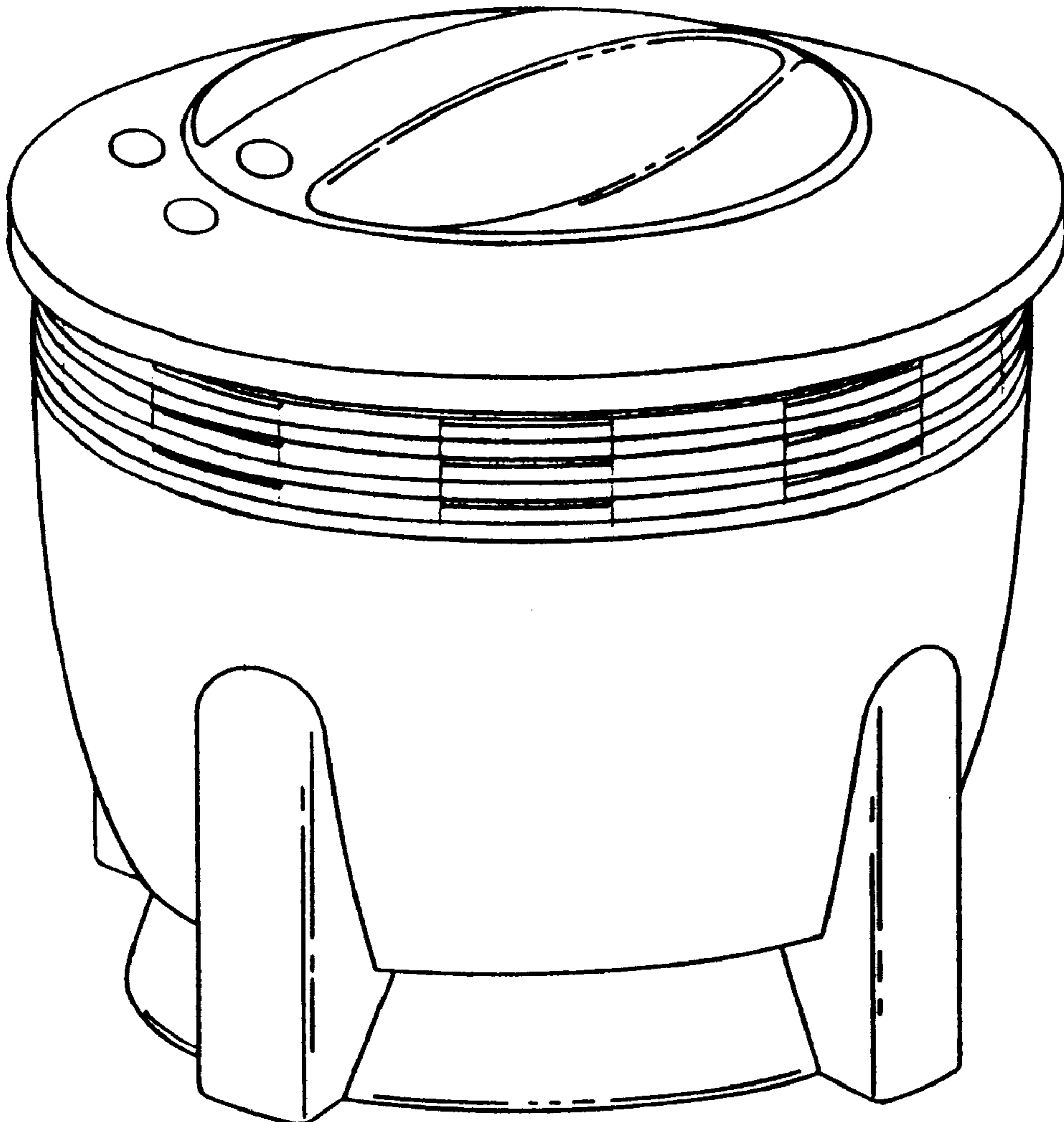


FIG 1

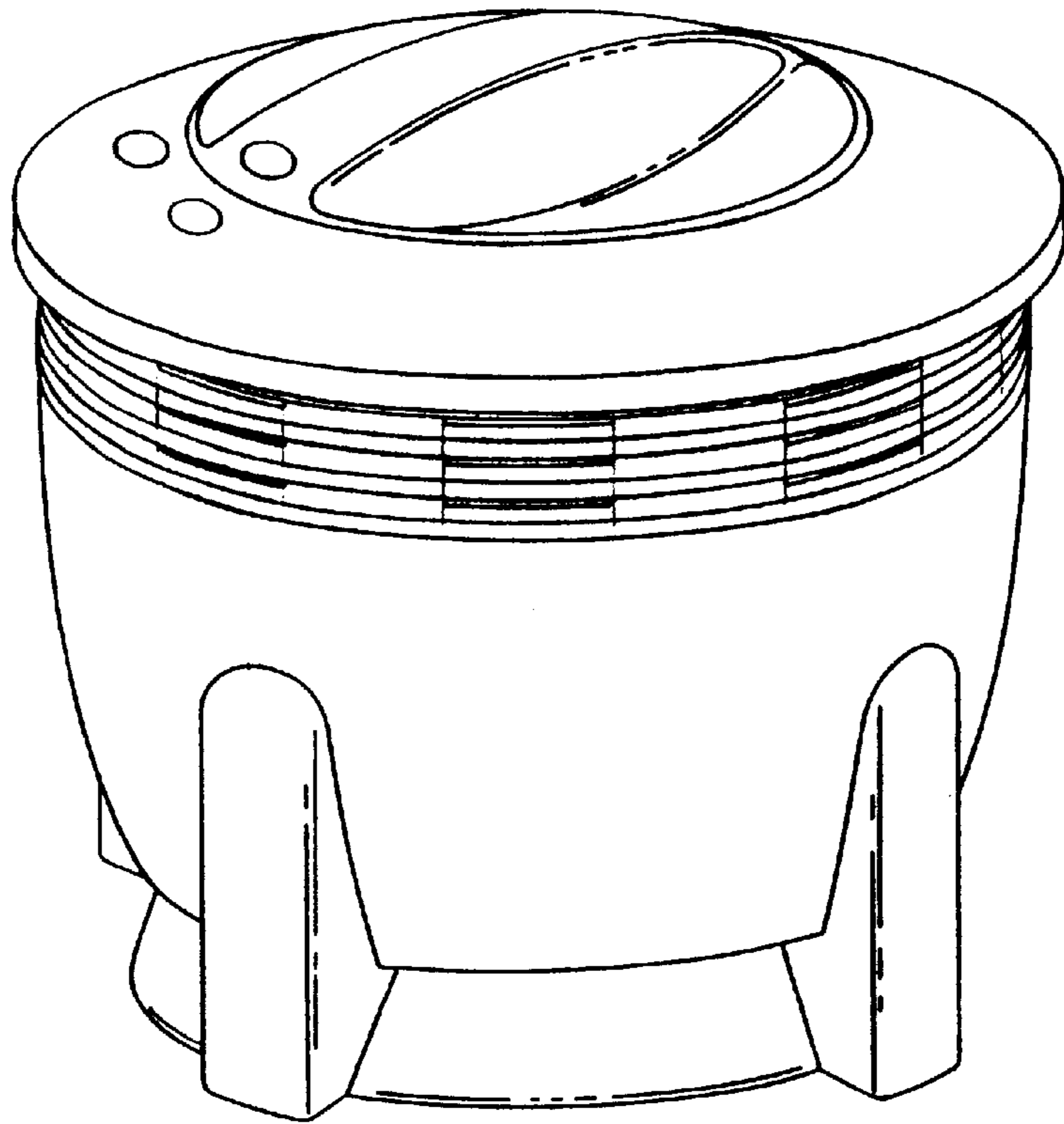


FIG 2

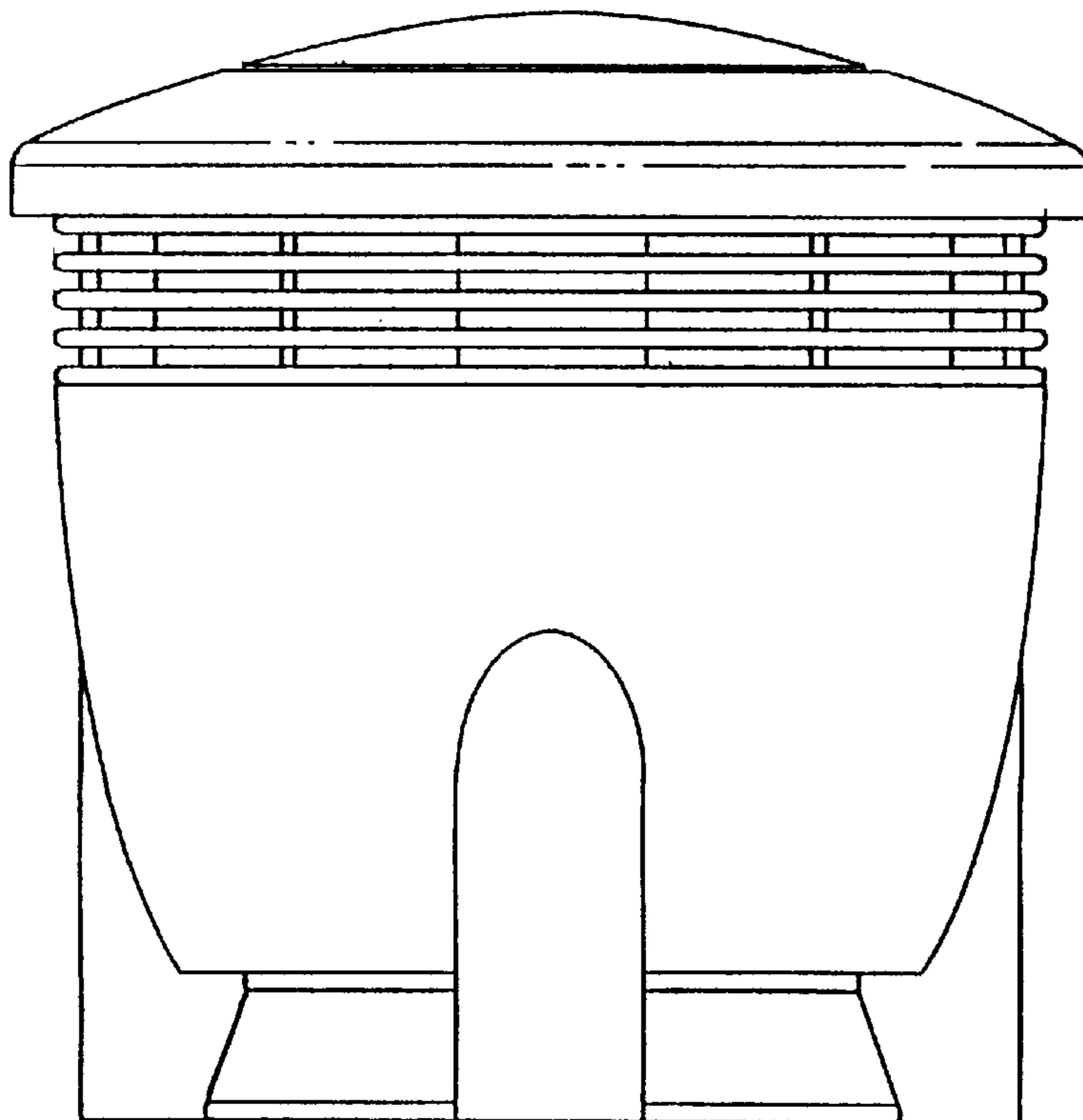


FIG 3

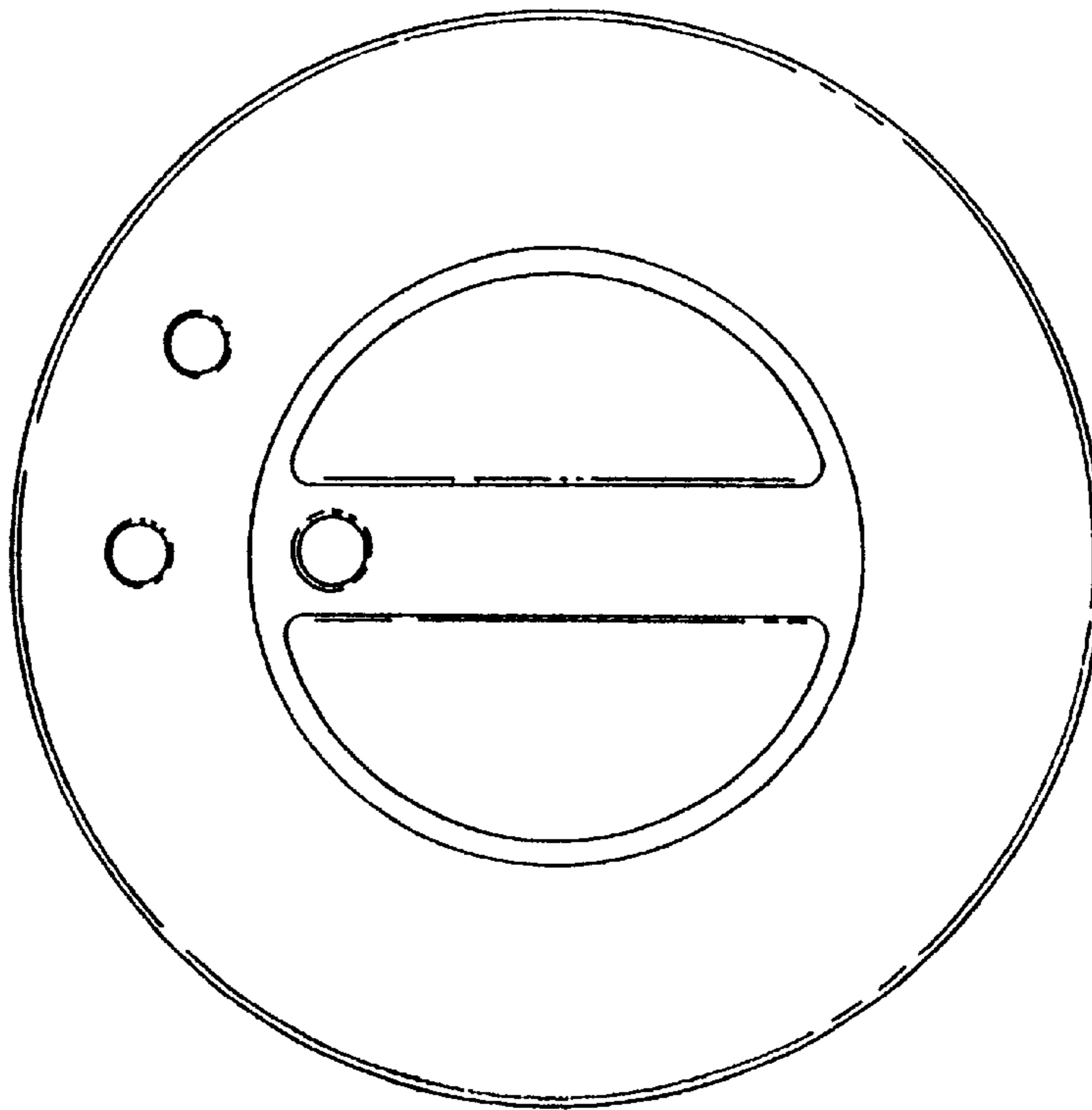


FIG 4

