



US00D466577S

(12) **United States Design Patent**
Hsu

(10) **Patent No.:** **US D466,577 S**

(45) **Date of Patent:** **** Dec. 3, 2002**

(54) **SKATEBOARD**

(76) **Inventor:** **Chia-Pao Hsu**, No.40, Lane 326 I Hsin South St., Chang-Hua City (TW)

(**) **Term:** **14 Years**

(21) **Appl. No.:** **29/158,262**

(22) **Filed:** **Apr. 3, 2002**

(51) **LOC (7) Cl.** **21-02**

(52) **U.S. Cl.** **D21/765**

(58) **Field of Search** D21/419-435,
D21/533, 534, 548-551, 760, 763, 765,
771; 280/87.01, 87.021, 87.03, 87.041,
87.042, 11.27, 11.28; 446/465, 470

(56) **References Cited**

U.S. PATENT DOCUMENTS

D150,401 S * 8/1948 Brickson D21/765
4,003,582 A * 1/1977 Maurer 280/87.042
D422,662 S * 4/2000 Edwards et al. D21/765
6,059,307 A * 5/2000 Western 280/87.042

6,273,440 B1 * 8/2001 Wilson 280/87.042
6,293,571 B1 * 9/2001 Wen 280/87.042
6,318,739 B1 * 11/2001 Fehn, Jr. 280/11.28

* cited by examiner

Primary Examiner—Raphael Barkai

(74) *Attorney, Agent, or Firm*—Harrison & Egbert

(57) **CLAIM**

I claim the ornamental design for a skateboard, as shown and described.

DESCRIPTION

FIG. 1 is an upper perspective view of the skateboard showing my design.

FIG. 2 is a top view thereof;

FIG. 3 is a bottom view thereof;

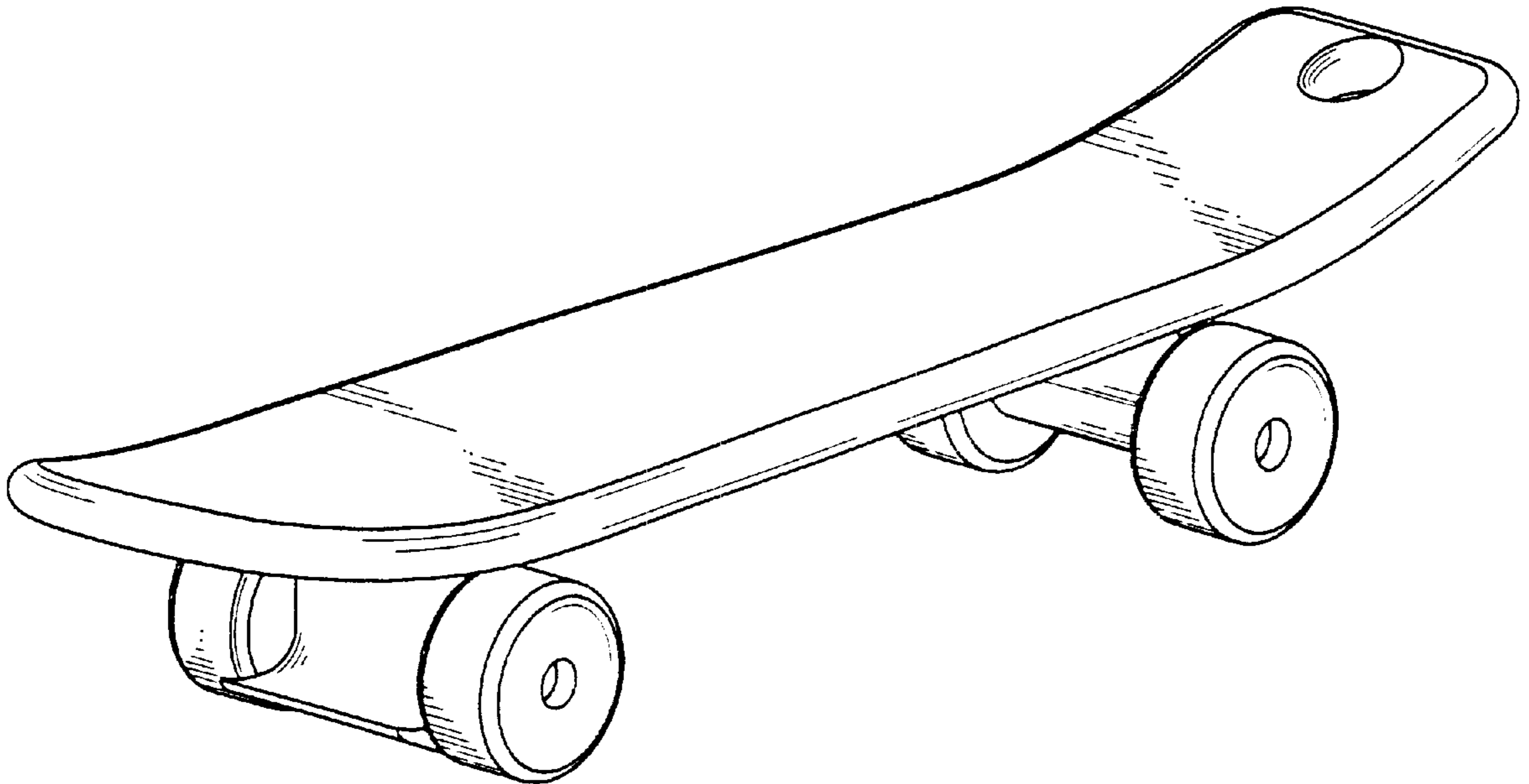
FIG. 4 is a side view thereof;

FIG. 5 is an opposite side view thereof;

FIG. 6 is a front view thereof; and,

FIG. 7 is a back view thereof.

1 Claim, 4 Drawing Sheets



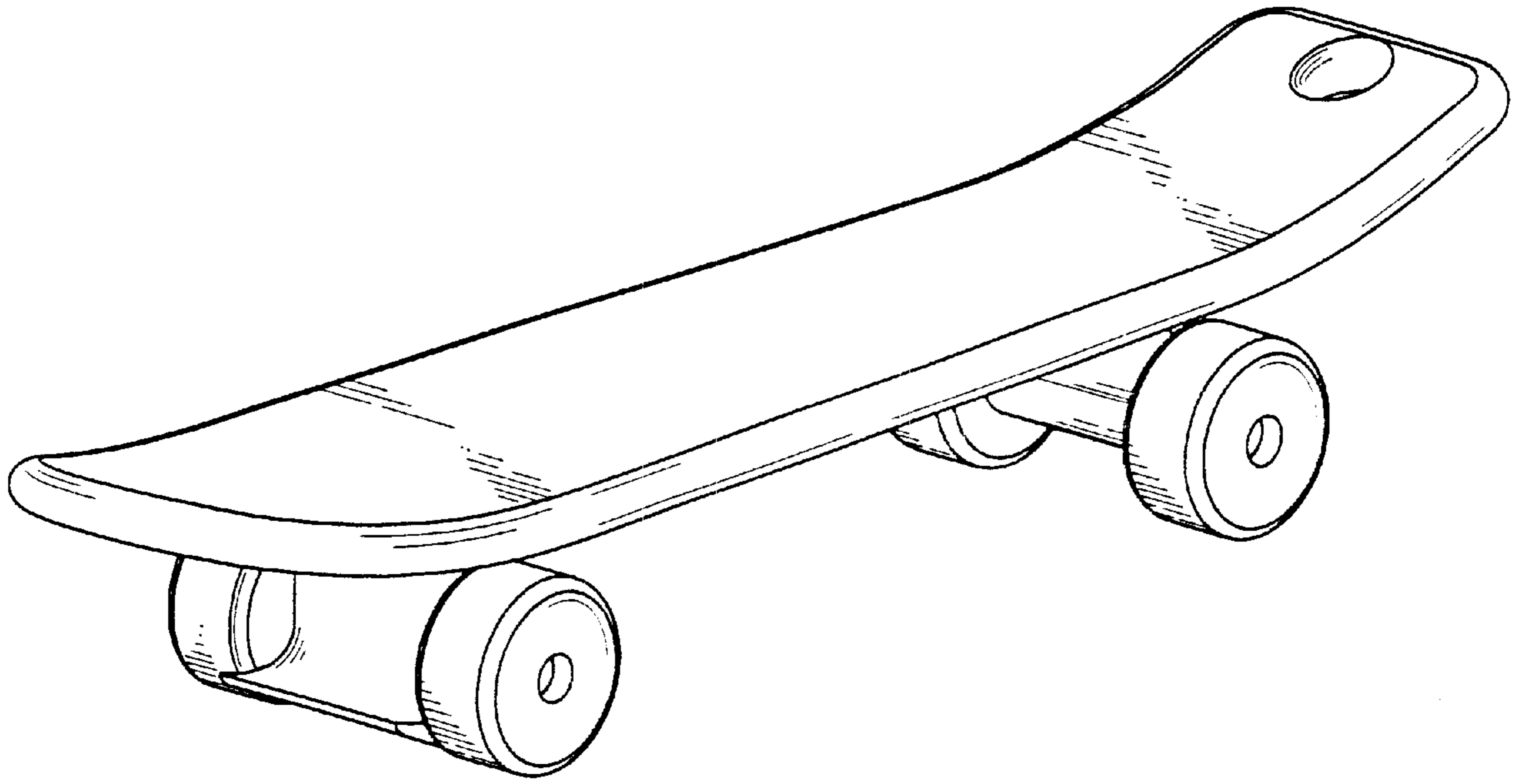


FIG.1

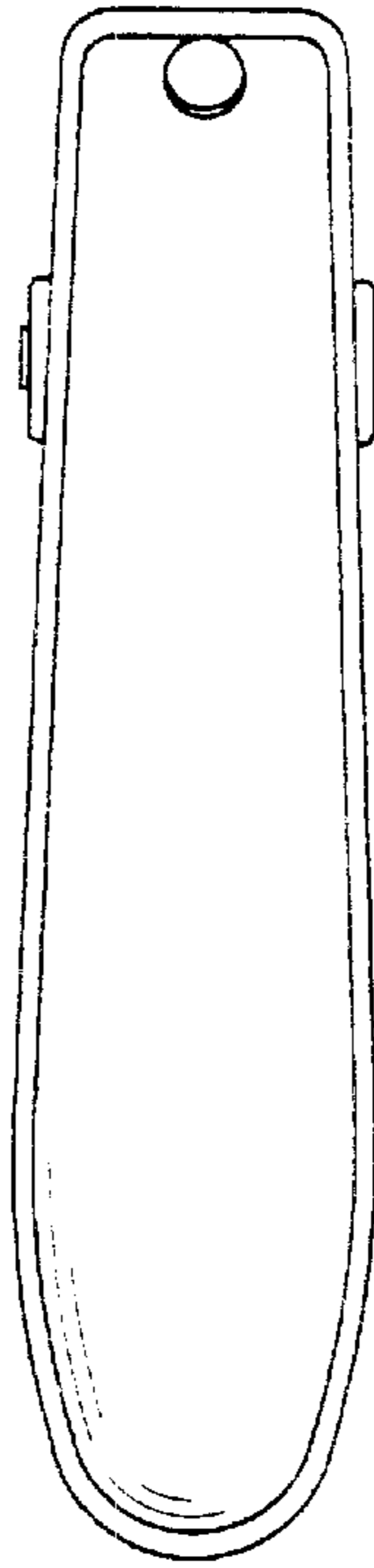


FIG. 2

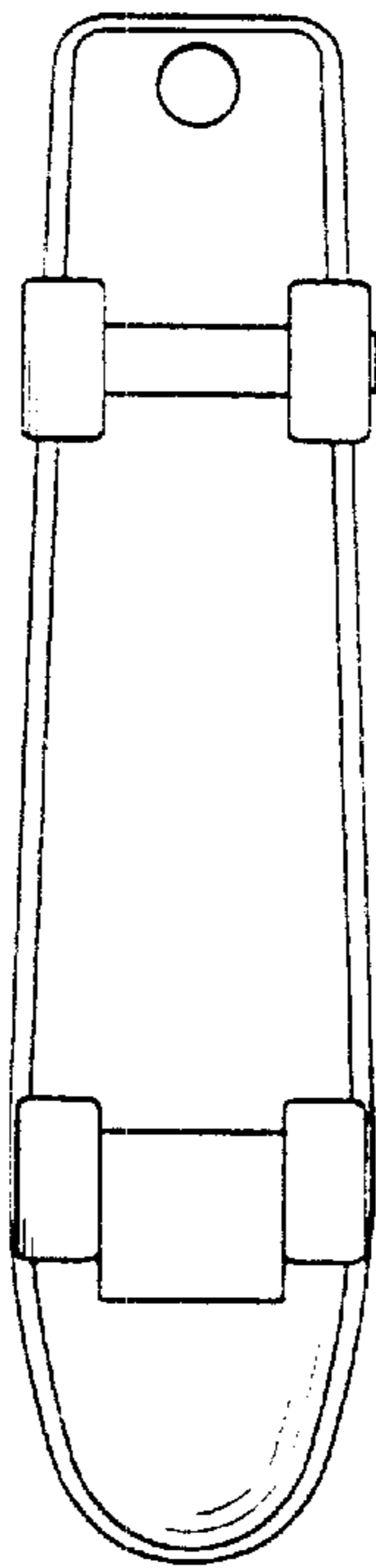


FIG. 3

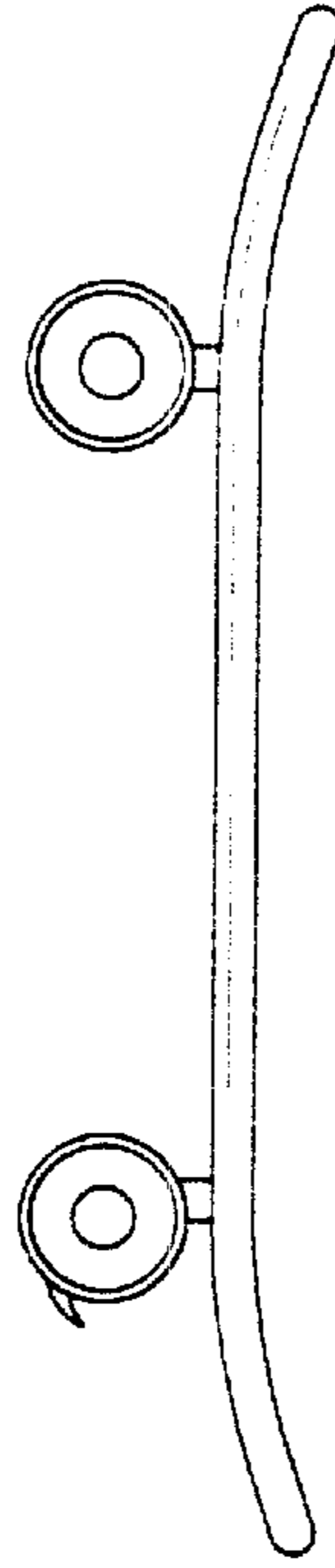


FIG. 4

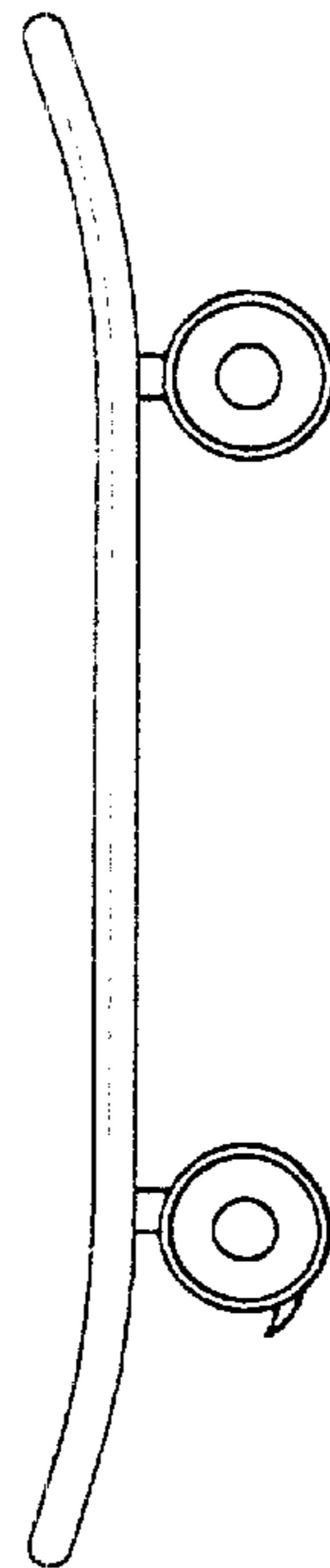


FIG. 5

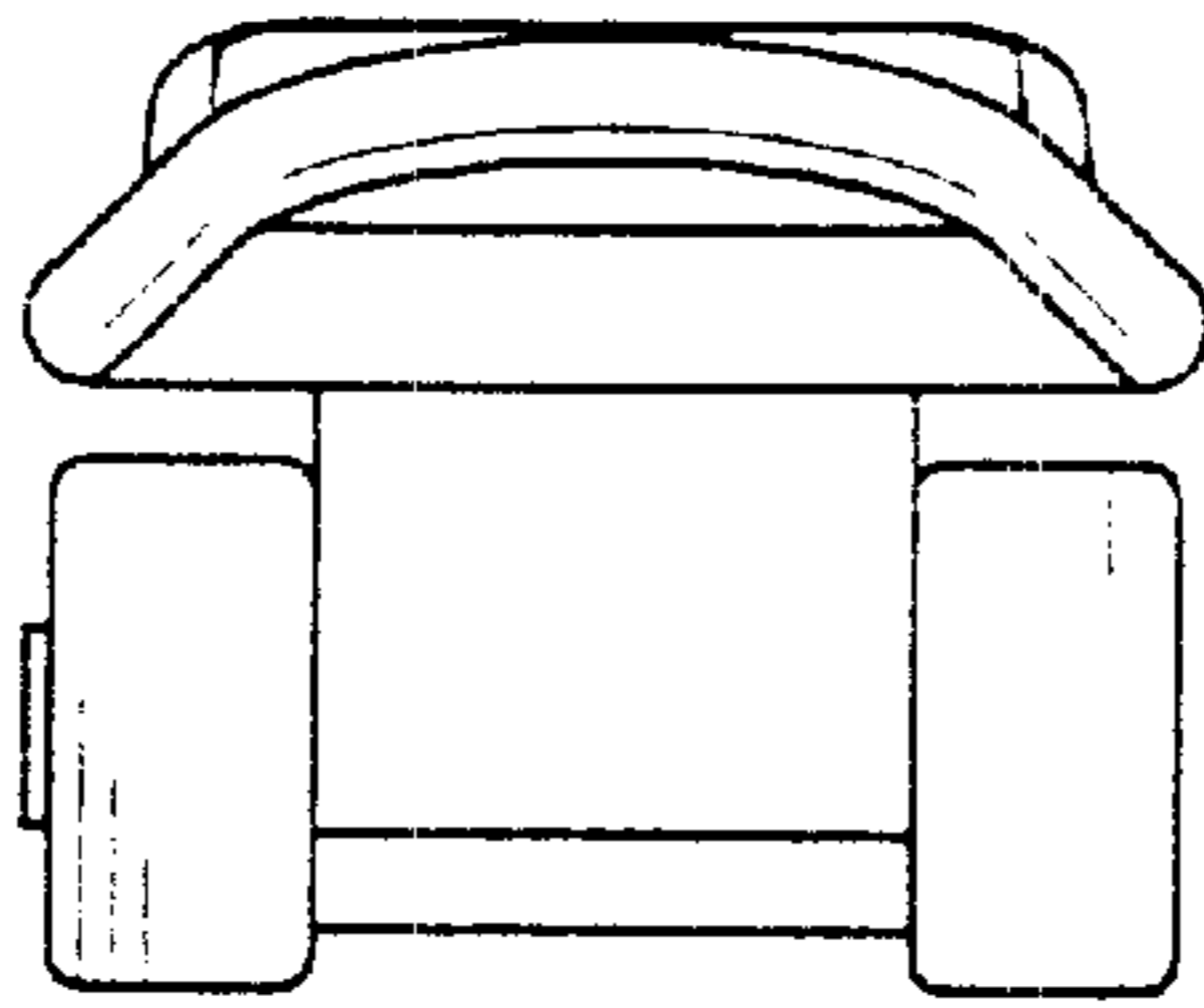


FIG. 6

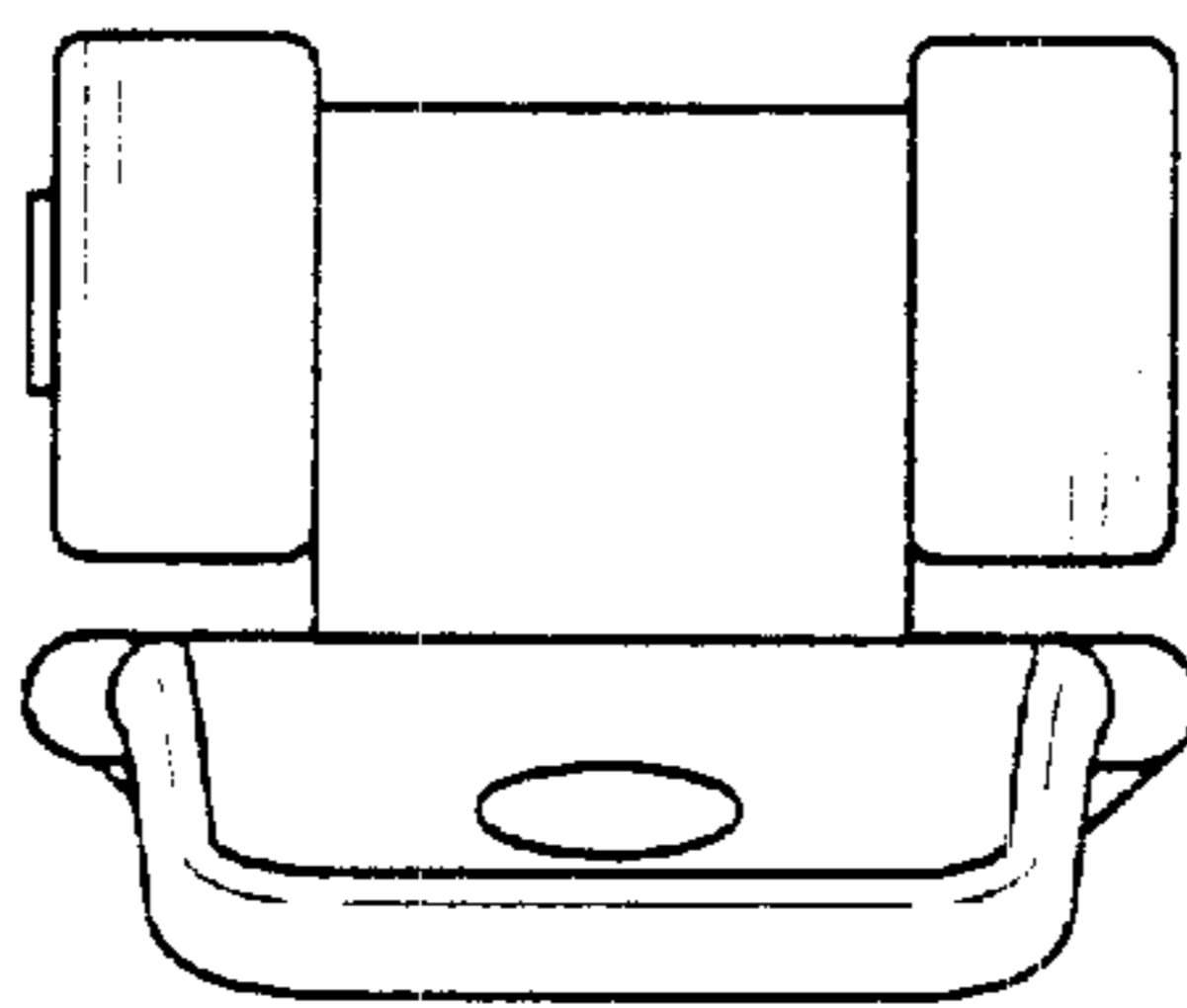


FIG. 7