



US00D466576S

(12) **United States Design Patent**  
**Nagai et al.**

(10) **Patent No.:** **US D466,576 S**

(45) **Date of Patent:** **\*\* Dec. 3, 2002**

(54) **REAR INSET OF A GOLF CLUB HEAD**

**FOREIGN PATENT DOCUMENTS**

(75) Inventors: **Masao Nagai**, Duluth, GA (US); **David Llewellyn**, Norcross, GA (US)

JP 1062791 \* 3/2000

\* cited by examiner

(73) Assignee: **Mizuno Corporation**, Osaka (JP)

*Primary Examiner*—Mitchell Siegel

(\*\*) Term: **14 Years**

(74) *Attorney, Agent, or Firm*—Troutman Sanders LLP; Gerald R. Boss

(21) Appl. No.: **29/148,513**

(57) **CLAIM**

(22) Filed: **Sep. 21, 2001**

The ornamental design for the rear inset of a golf club head, as shown and described.

(51) **LOC (7) Cl.** ..... **21-02**

(52) **U.S. Cl.** ..... **D21/759**

(58) **Field of Search** ..... D21/747-751,  
D21/759; 473/324, 327-331, 350

**DESCRIPTION**

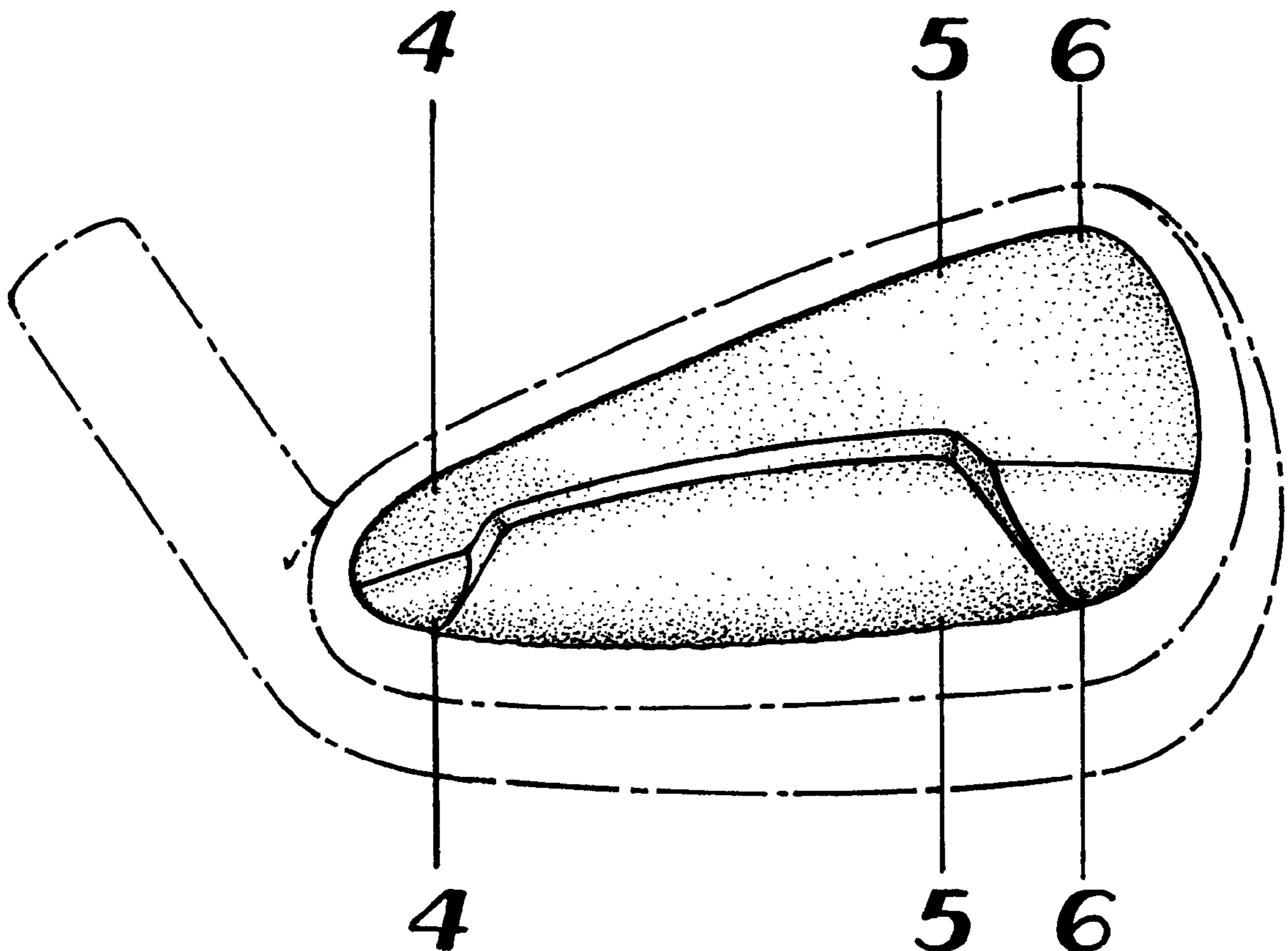
(56) **References Cited**

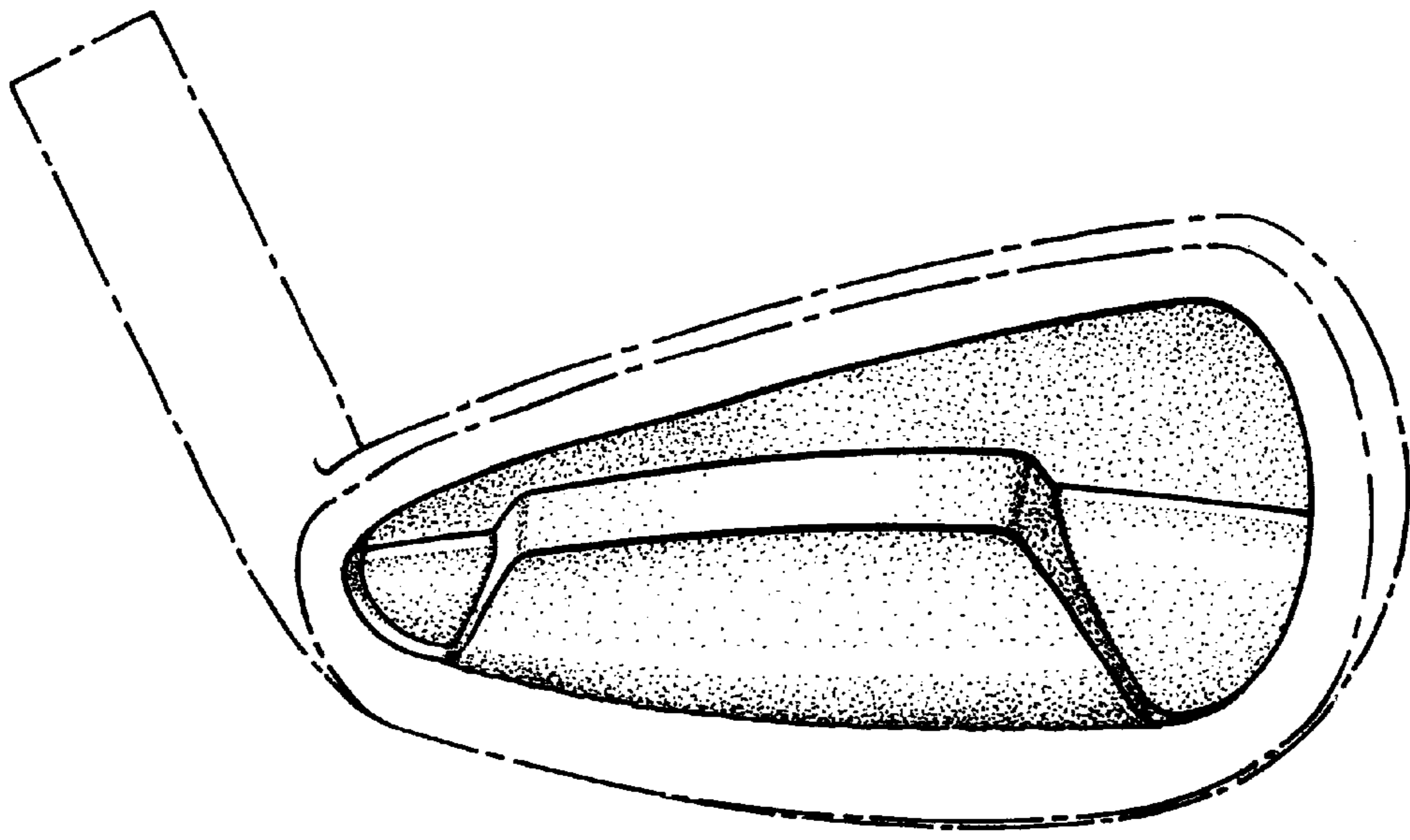
**U.S. PATENT DOCUMENTS**

D328,322 S	*	7/1992	Antonious	.....	D21/747
D362,041 S	*	9/1995	Takahashi et al.	.....	D21/749
D383,819 S	*	9/1997	Takahashi et al.	.....	D21/749
D383,820 S		9/1997	Watanabe		
D428,634 S		7/2000	Nagai et al.		
D428,635 S		7/2000	Nagai et al.		
D444,195 S	*	6/2001	Wahl et al.	.....	D21/748
D445,157 S	*	7/2001	Jones et al.	.....	D21/749
D449,086 S		10/2001	Nagai et al.		

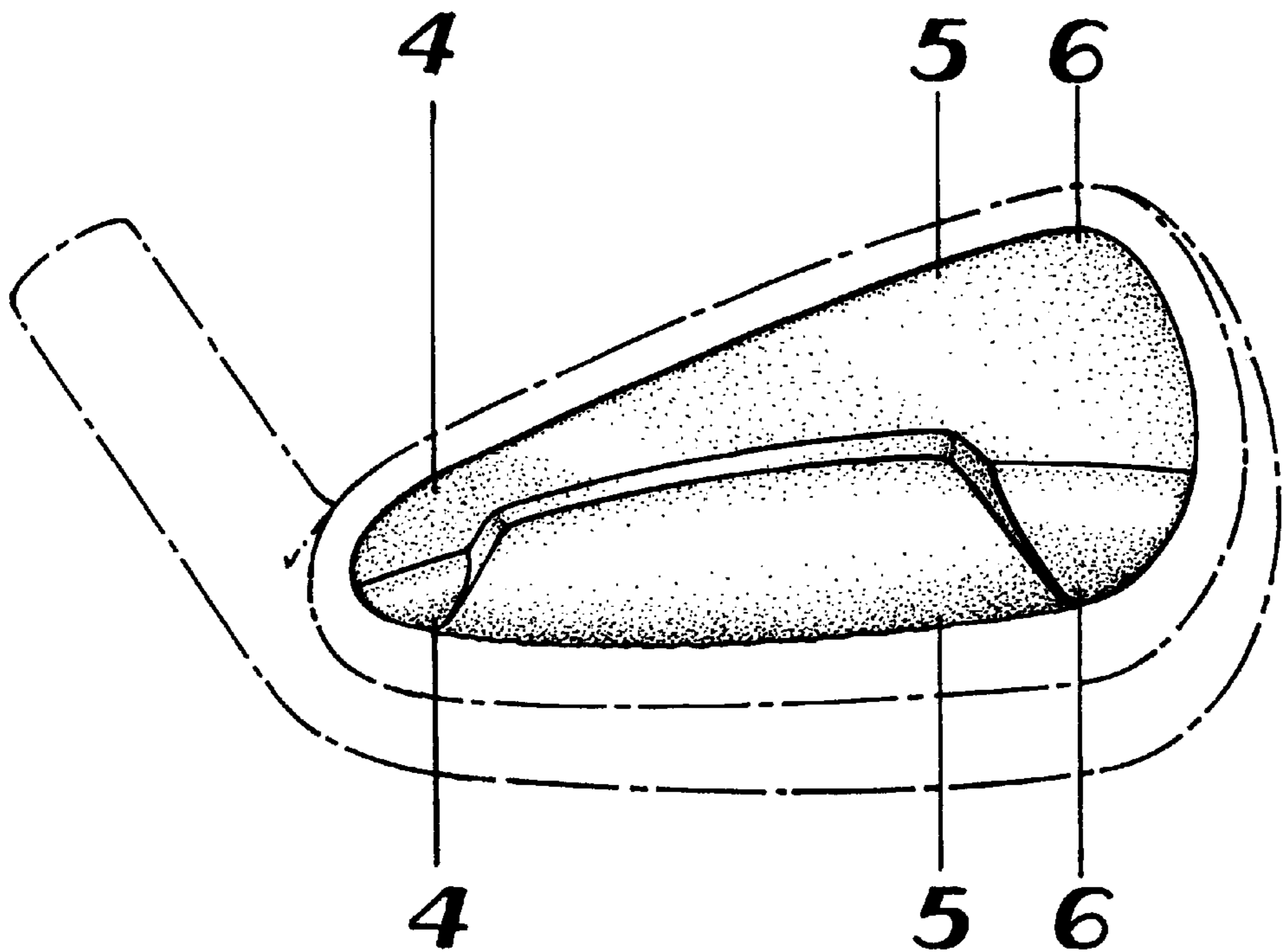
FIG. 1 is a perspective view of our new design for the rear inset of a golf club iron with the full club head shown in phantom lines which form no part of the claimed design; FIG. 2 is a rear elevational view of the inset of FIG. 1; FIG. 3 is a top view of the inset of FIG. 1; FIG. 4 is a planar cross-sectional view taken along lines 4—4 of FIG. 2; FIG. 5 is a planar cross-sectional view taken along lines 5—5 of FIG. 2; and, FIG. 6 is a planar cross-sectional view taken along lines 6—6 of FIG. 2.

**1 Claim, 2 Drawing Sheets**

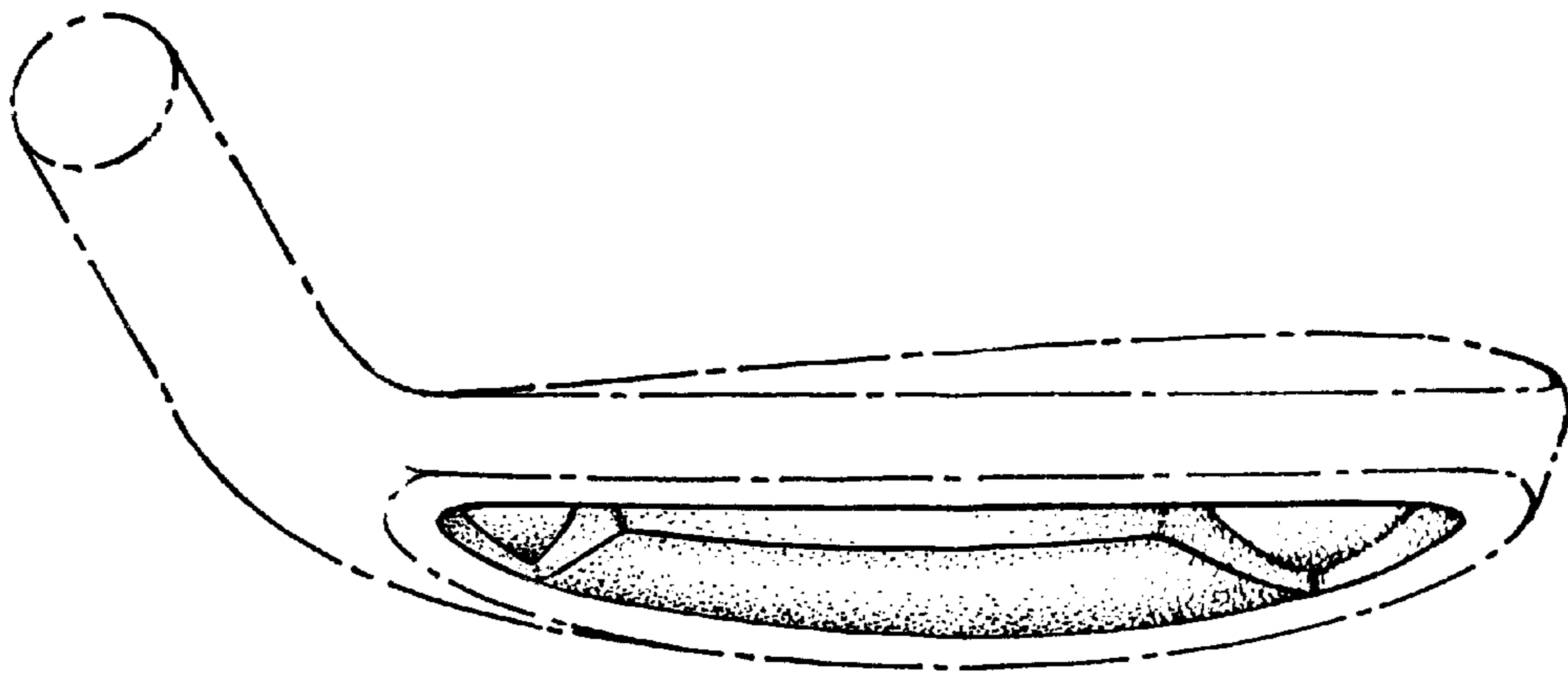




**FIG 1**



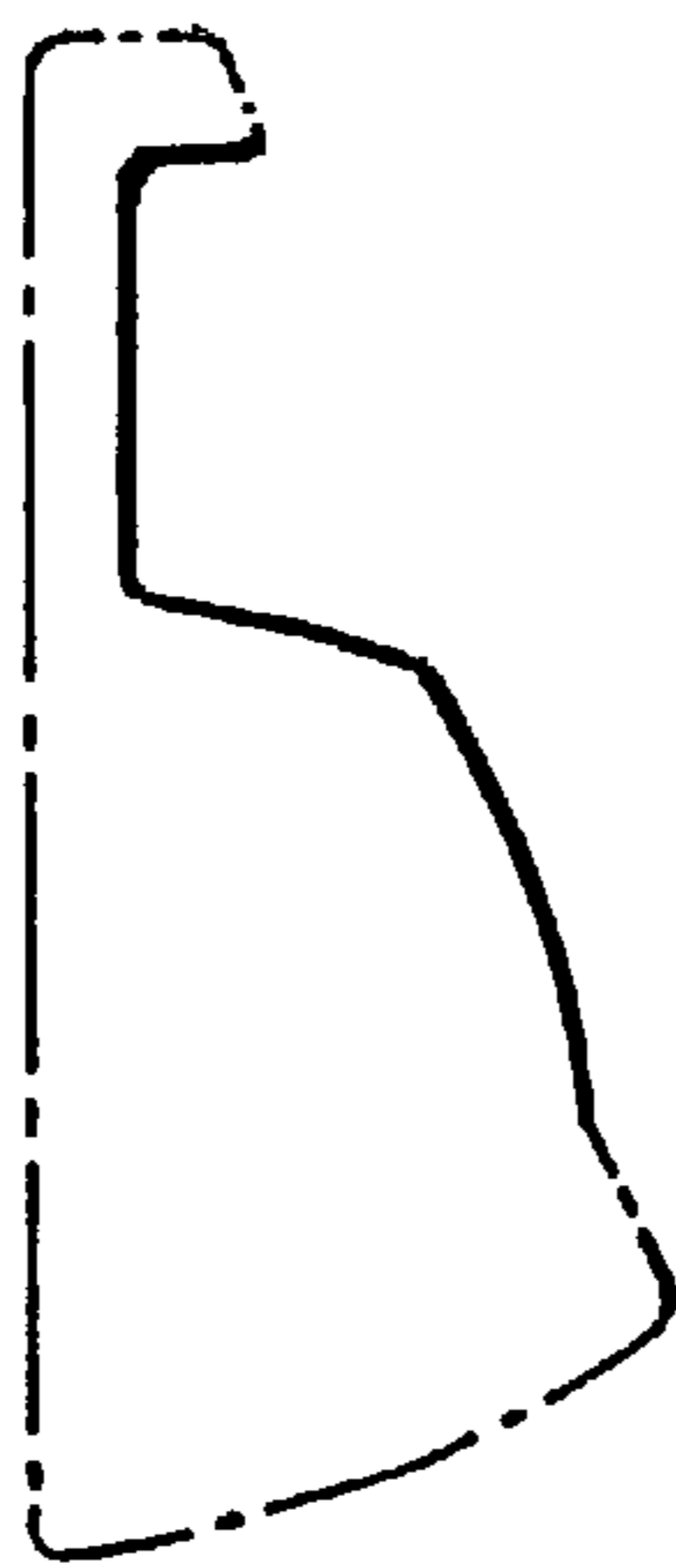
**FIG 2**



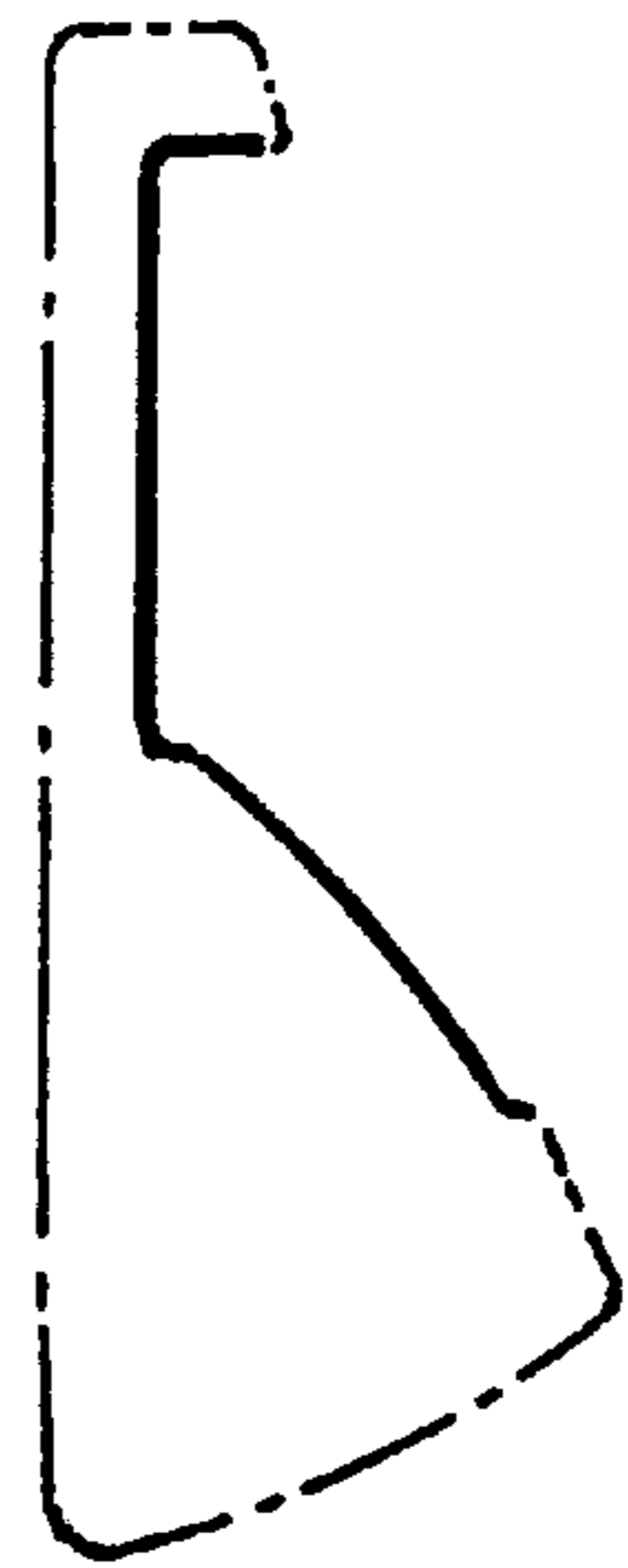
**FIG 3**



**FIG 4**



**FIG 5**



**FIG 6**