

US00D466567S

(12) **United States Design Patent**
Chen et al.

(10) **Patent No.:** **US D466,567 S**

(45) **Date of Patent:** **** Dec. 3, 2002**

(54) **STEPPING EXERCISER**

(76) Inventors: **Chiu Ku Chen**, P.O. Box 63-99,
Taichung (TW), 402; **Chia Sheng Liao**,
P.O. Box 63-99, Taichung (TW), 402

(**) Term: **14 Years**

(21) Appl. No.: **29/155,452**

(22) Filed: **Feb. 12, 2002**

(51) **LOC (7) Cl.** **21-02**

(52) **U.S. Cl.** **D21/670; D21/668**

(58) **Field of Search** **D21/662, 668,**
D21/670, 671, 672; 482/51, 52, 53, 79,
80, 112, 113

(56) **References Cited**

U.S. PATENT DOCUMENTS

D281,343 S * 11/1985 Krive 482/147
5,199,934 A * 4/1993 Lin 482/120
5,230,674 A * 7/1993 Terauds 482/148
5,263,910 A * 11/1993 Yang 482/52

5,304,105 A * 4/1994 Hsieh 482/111
D348,708 S * 7/1994 Chen D21/670
D349,542 S * 8/1994 Russell D21/670
5,348,520 A * 9/1994 Chang 482/123
D456,052 S * 4/2002 Steves D21/668

* cited by examiner

Primary Examiner—Philip S. Hyder

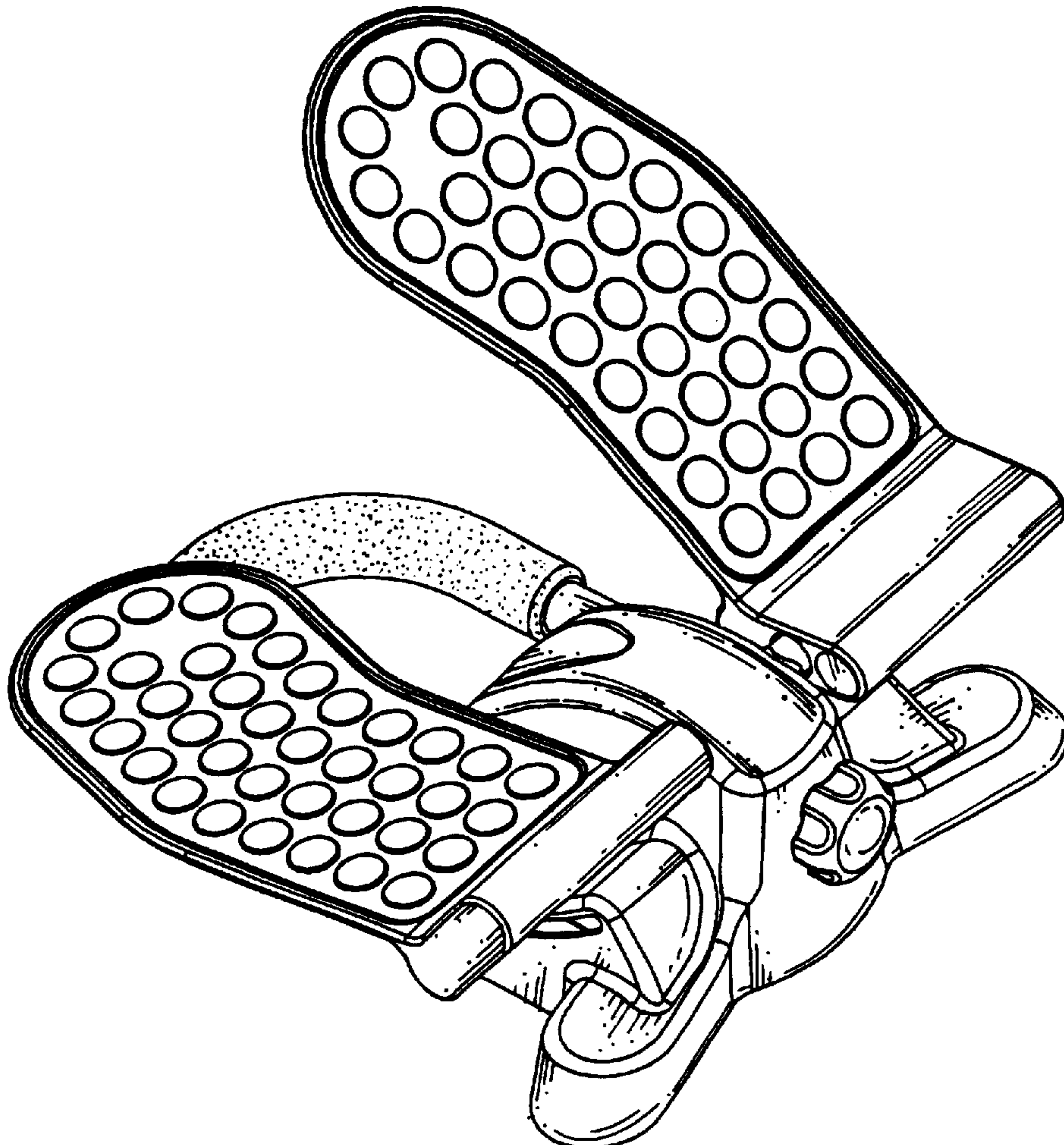
(57) **CLAIM**

The ornamental design for a stepping exerciser, as shown and described.

DESCRIPTION

FIG. 1 is a perspective view of a stepping exerciser showing my new design;
FIG. 2 is a front elevational view thereof;
FIG. 3 is a rear elevational view thereof;
FIG. 4 is a top plan view thereof;
FIG. 5 is a bottom plan view thereof;
FIG. 6 is a left side elevational view thereof; and,
FIG. 7 is a right side elevational view thereof.

1 Claim, 7 Drawing Sheets



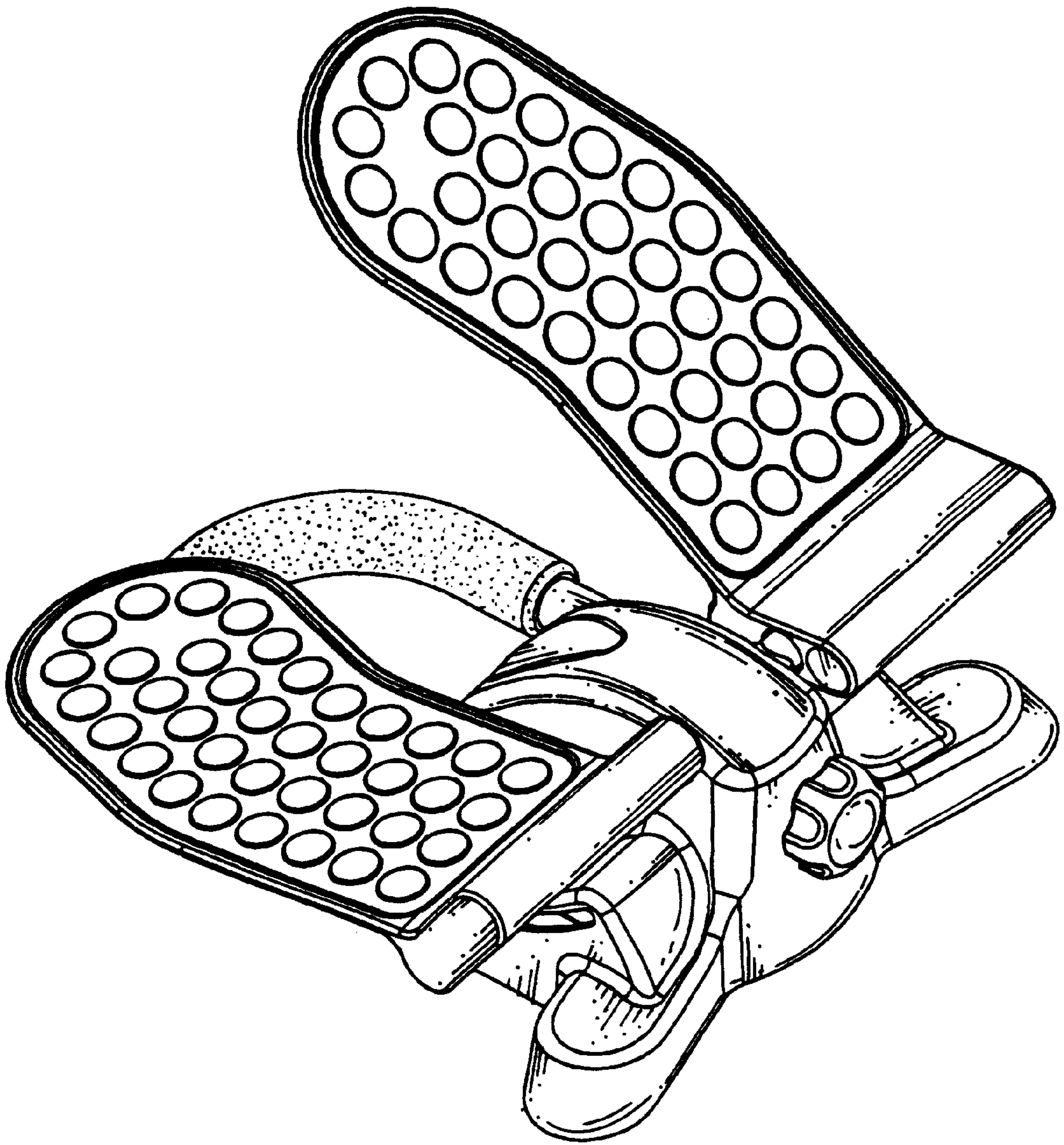


FIG. 1

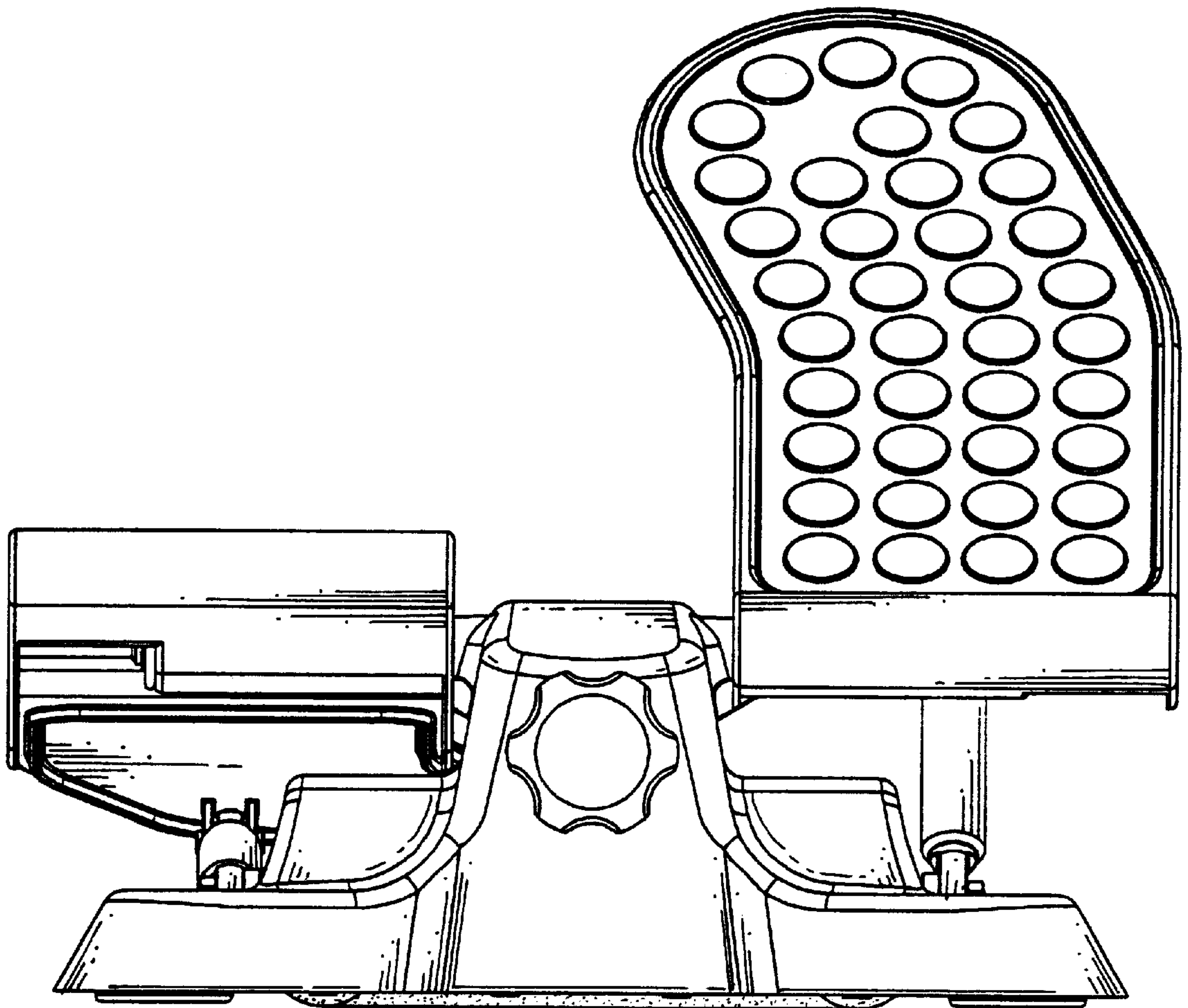


FIG. 2

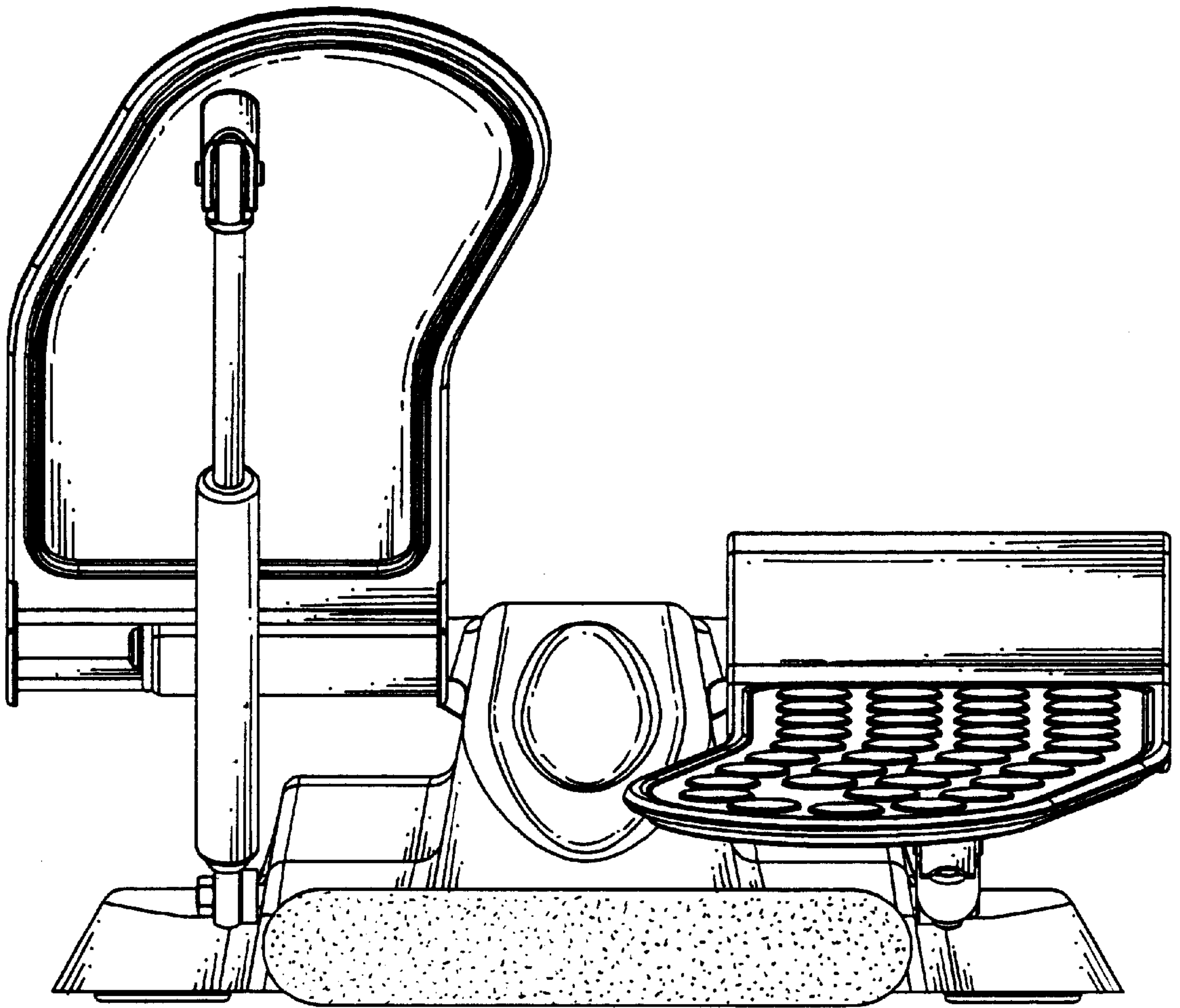


FIG. 3

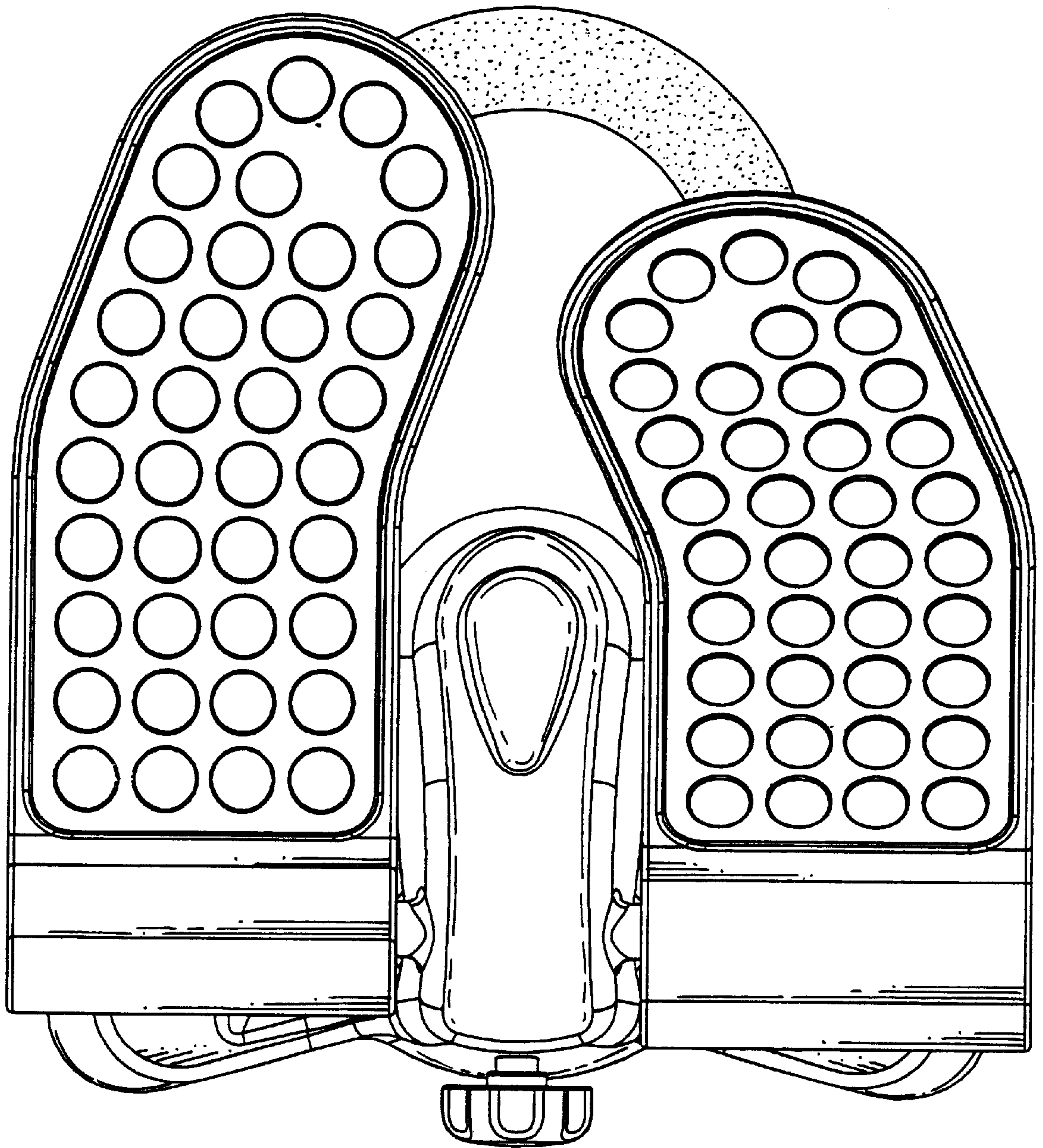


FIG. 4

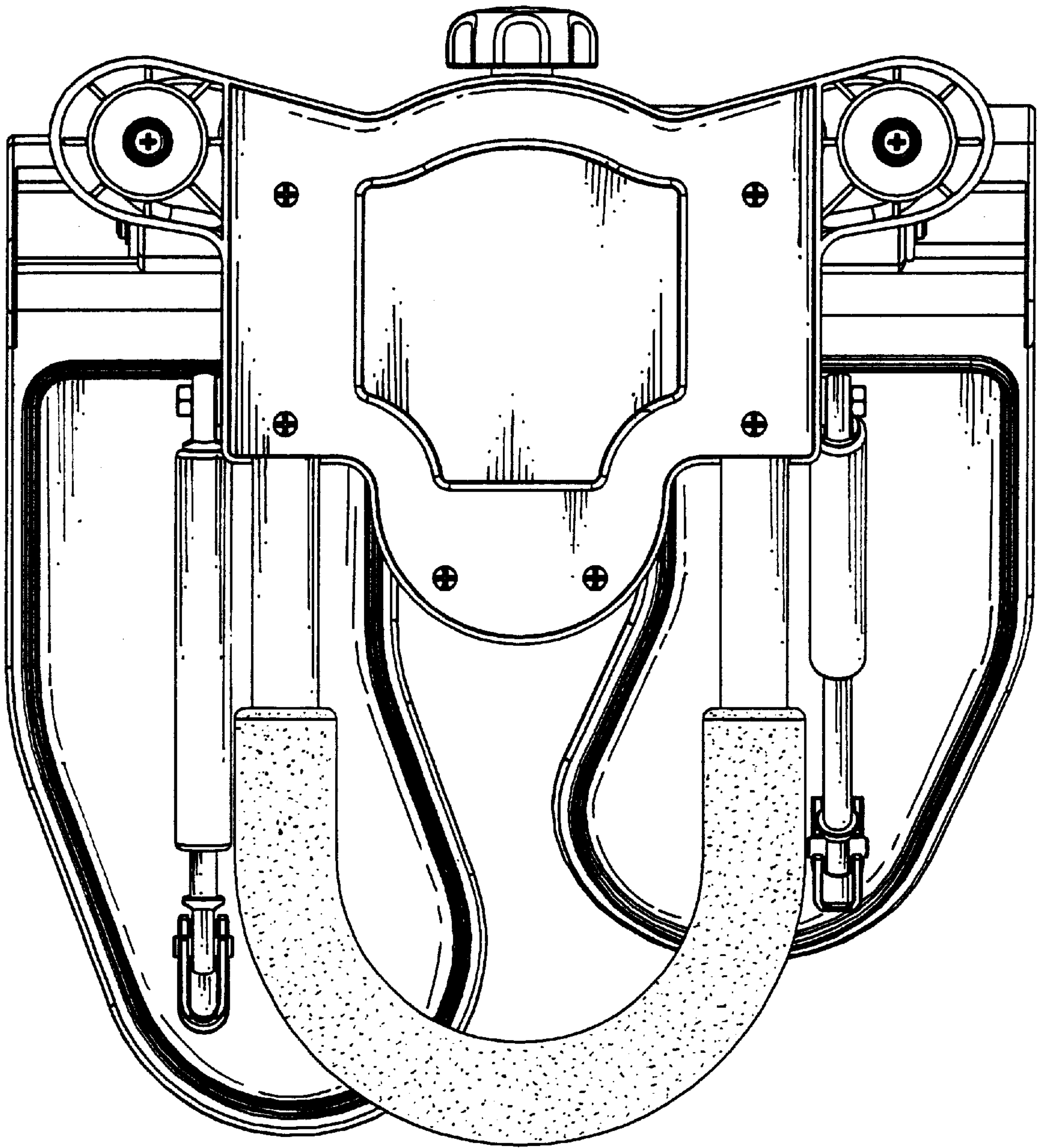


FIG. 5

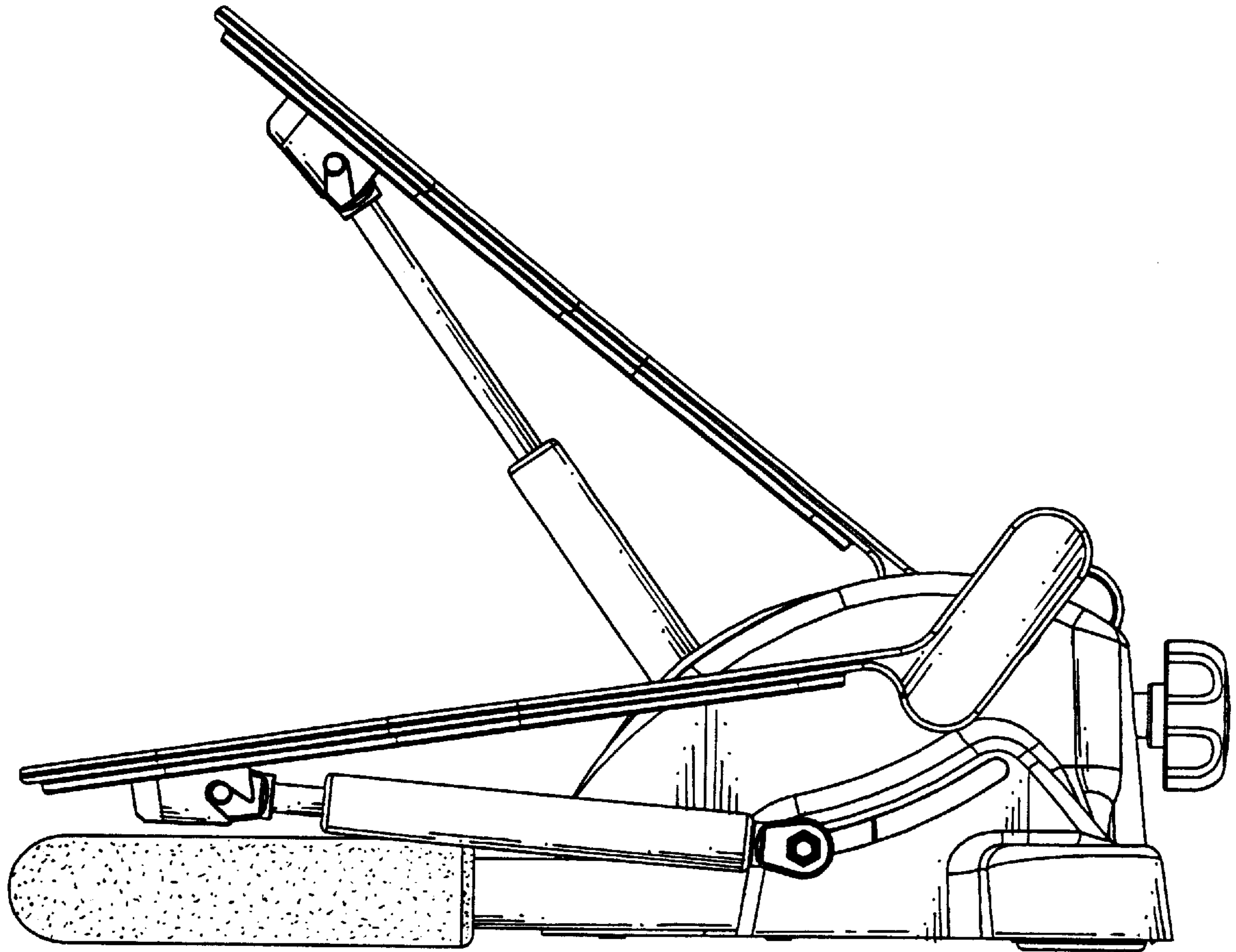


FIG. 6

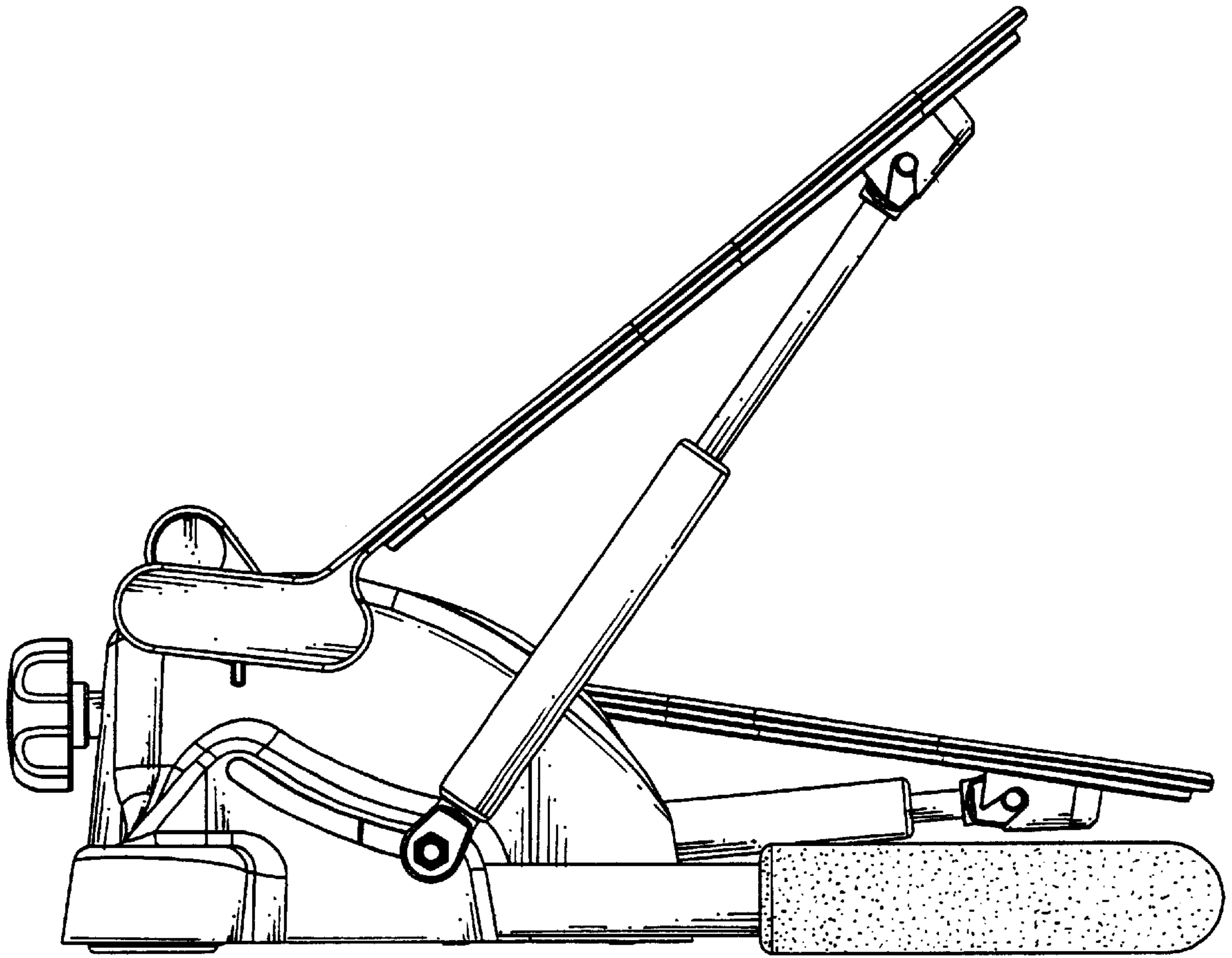


FIG. 7