



US00D466563S

(12) **United States Design Patent**
Wang

(10) **Patent No.:** **US D466,563 S**

(45) **Date of Patent:** **** Dec. 3, 2002**

- (54) **KITE**
- (75) **Inventor:** **Jung-Yuan (Jay) Wang**, Mississauga (CA)
- (73) **Assignee:** **Itemax International, Inc.**, Mississauga (CA)
- (**) **Term:** **14 Years**

D246,736 S	12/1977	Barrett et al.	
4,830,313 A	5/1989	Cheng	244/153 R
D407,126 S	* 3/1999	Wang	D21/445
D428,071 S	* 7/2000	Wang	D21/453
D428,072 S	* 7/2000	Wang	D21/453
D428,451 S	* 7/2000	Wang	D21/453
D432,187 S	* 10/2000	Wang	D21/445
D443,902 S	* 6/2001	Wang	D21/445

- (21) **Appl. No.:** **29/144,236**
- (22) **Filed:** **Jun. 29, 2001**
- (51) **LOC (7) Cl.** **21-02**
- (52) **U.S. Cl.** **D21/445**
- (58) **Field of Search** D21/443, 445, D21/446; 244/153 R, 154, 155, 153 A

OTHER PUBLICATIONS

Janes Encyclopedia of Aviation, M. Taylor, Editor, Crescent Books, New York, New York, 1995, p. 78.

* cited by examiner

Primary Examiner—Dominic Simone
(74) *Attorney, Agent, or Firm*—Bereskin & Parr

(56) **References Cited**

U.S. PATENT DOCUMENTS

D57,437 S	3/1921	Keller	D21/450
1,546,099 A	7/1925	Myers	244/154
D95,101 S	4/1935	Williams	D21/445
2,124,992 A	7/1938	Wood	244/154
D136,018 S	7/1943	Sauls	
D168,383 S	* 12/1952	Smith	D21/445
D177,577 S	5/1956	Martin	
D204,611 S	5/1966	Ventre	
D223,381 S	4/1972	Carpenter	
D223,716 S	* 5/1972	Choong	D21/445
D224,248 S	7/1972	Bennett	
3,703,876 A	11/1972	Michelsen	
D242,375 S	11/1976	Barrett	

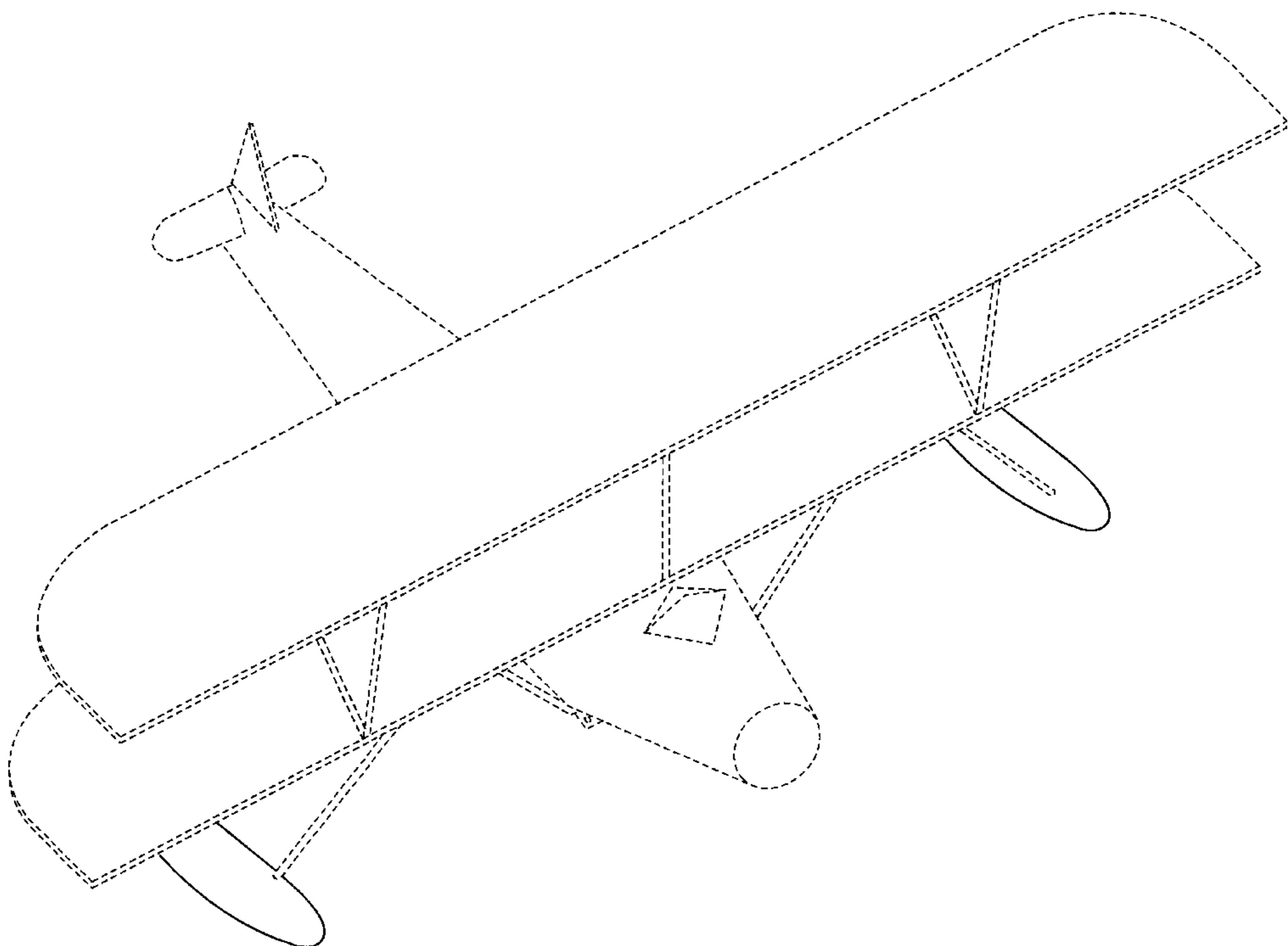
(57) **CLAIM**

The ornamental design for a kite, as shown.

DESCRIPTION

FIG. 1 is an isometric view from the front and above of the new design;
 FIG. 2 is a right side elevation view thereof;
 FIG. 3 is a left side elevation view thereof;
 FIG. 4 is a front elevation view thereof;
 FIG. 5 is a rear elevation view thereof;
 FIG. 6 is a top plan view thereof; and,
 FIG. 7 is a bottom plan view thereof.
 The portion of the kite shown in dashed lines is for environment only, and forms no part of the claimed design.

1 Claim, 6 Drawing Sheets



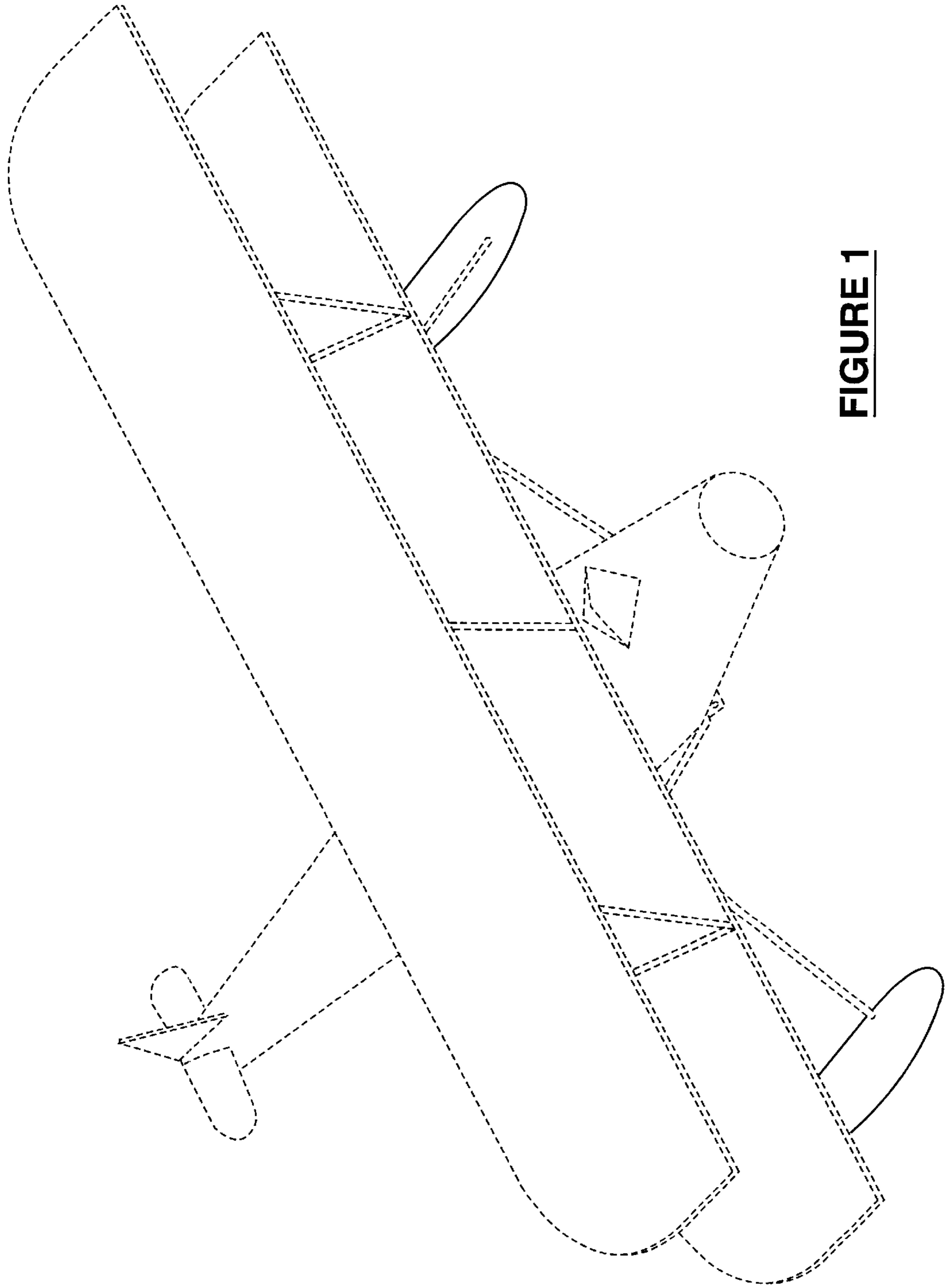
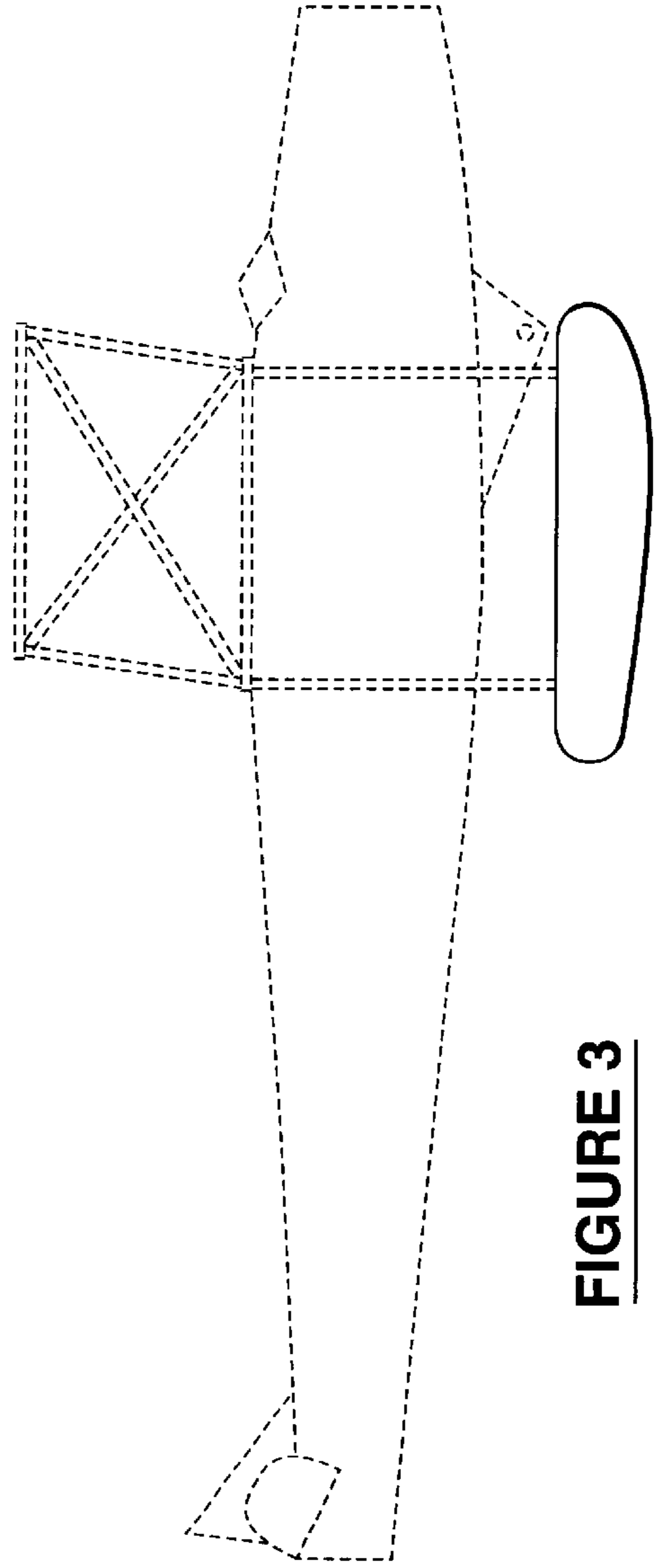
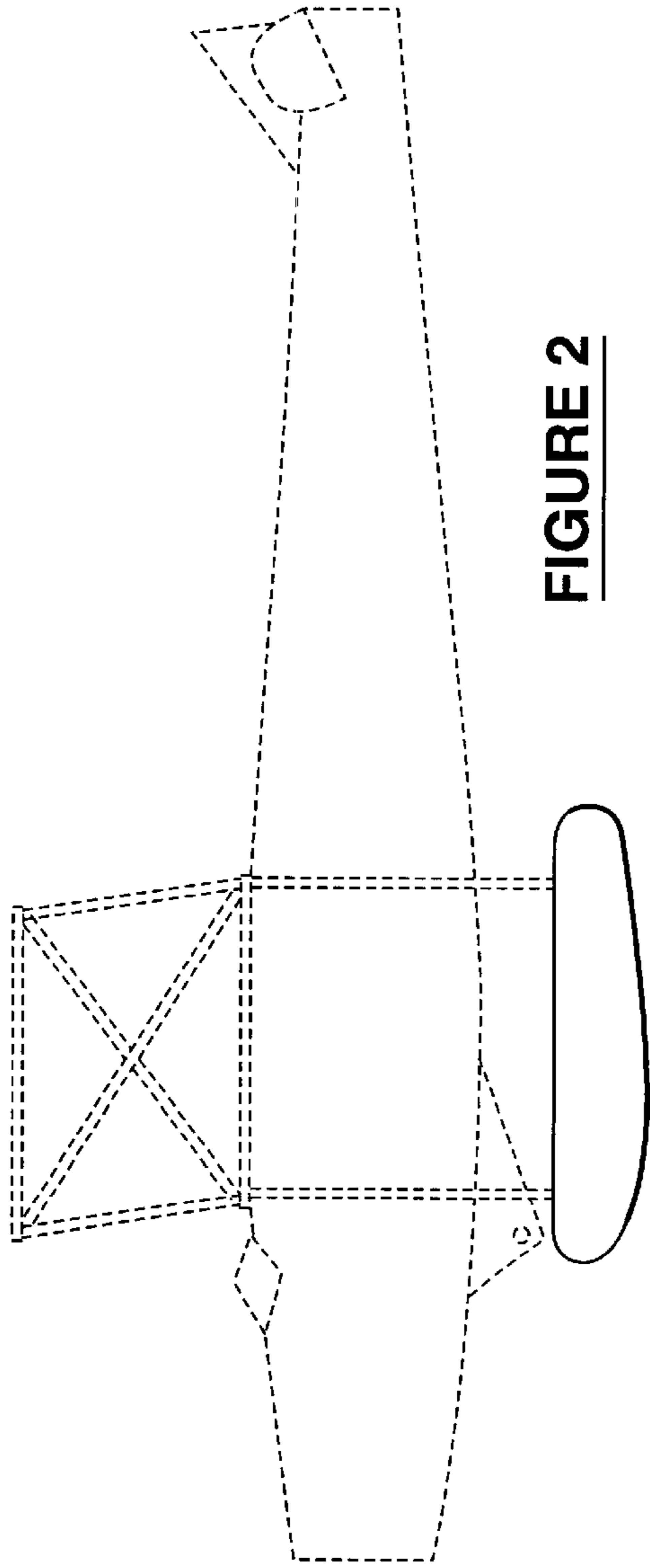


FIGURE 1



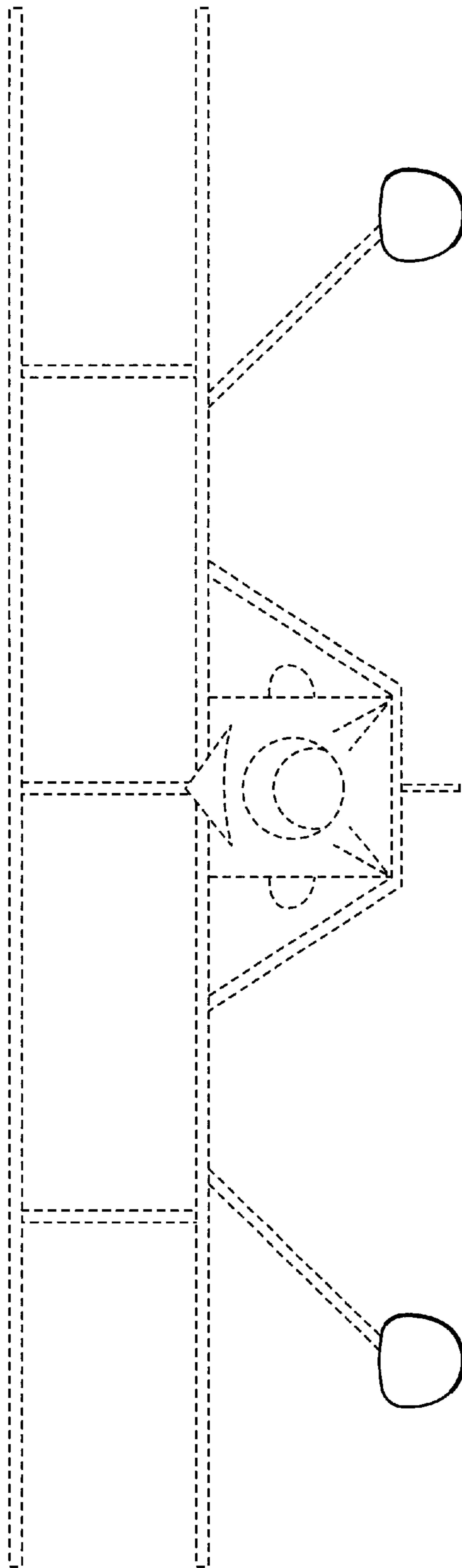


FIGURE 4

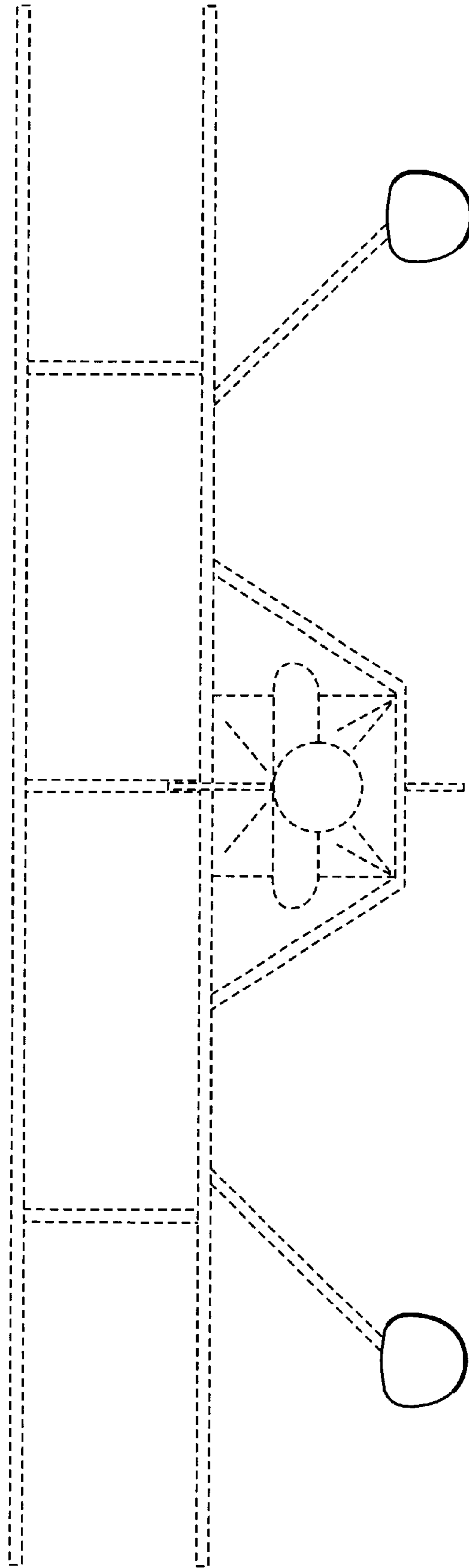
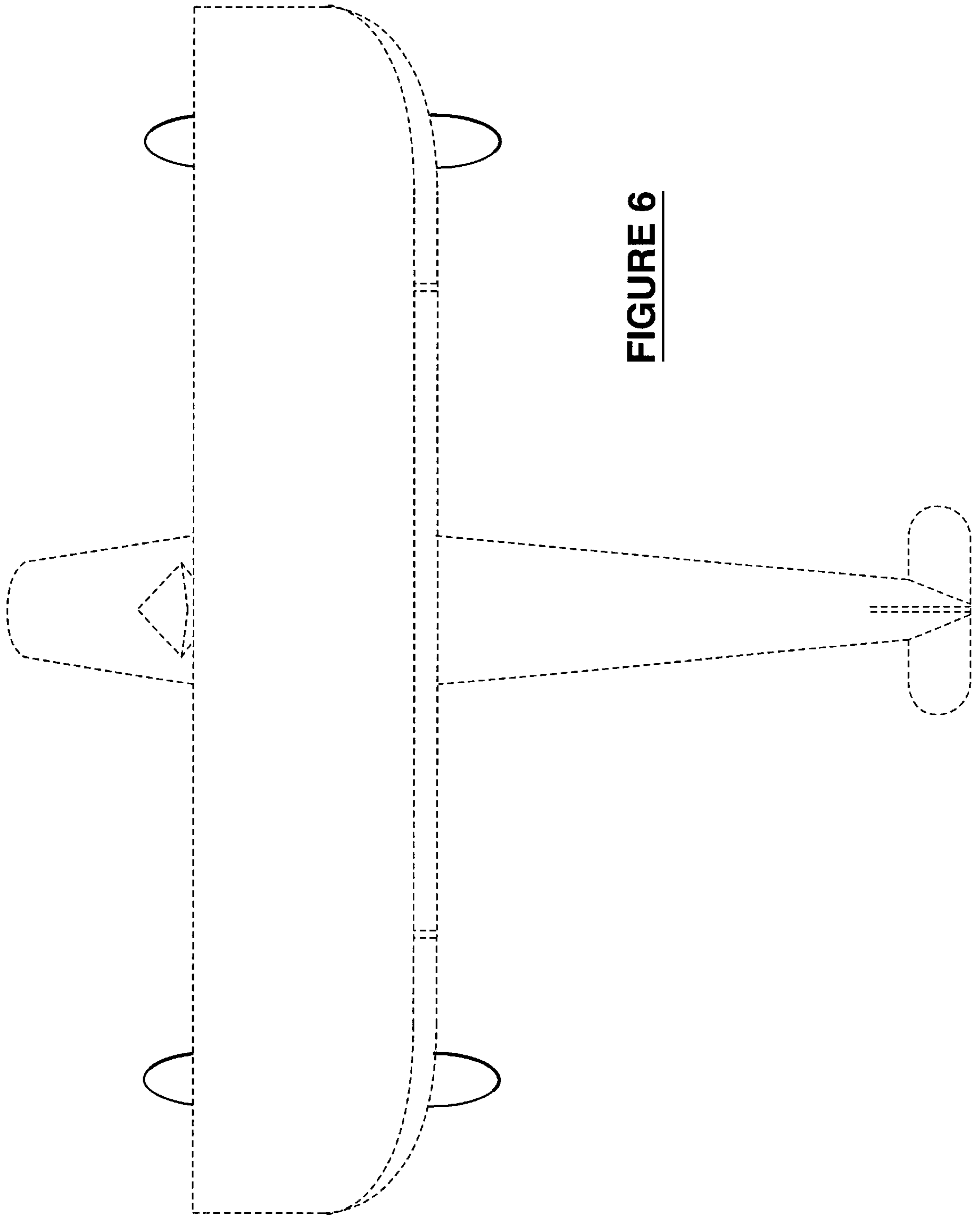


FIGURE 5



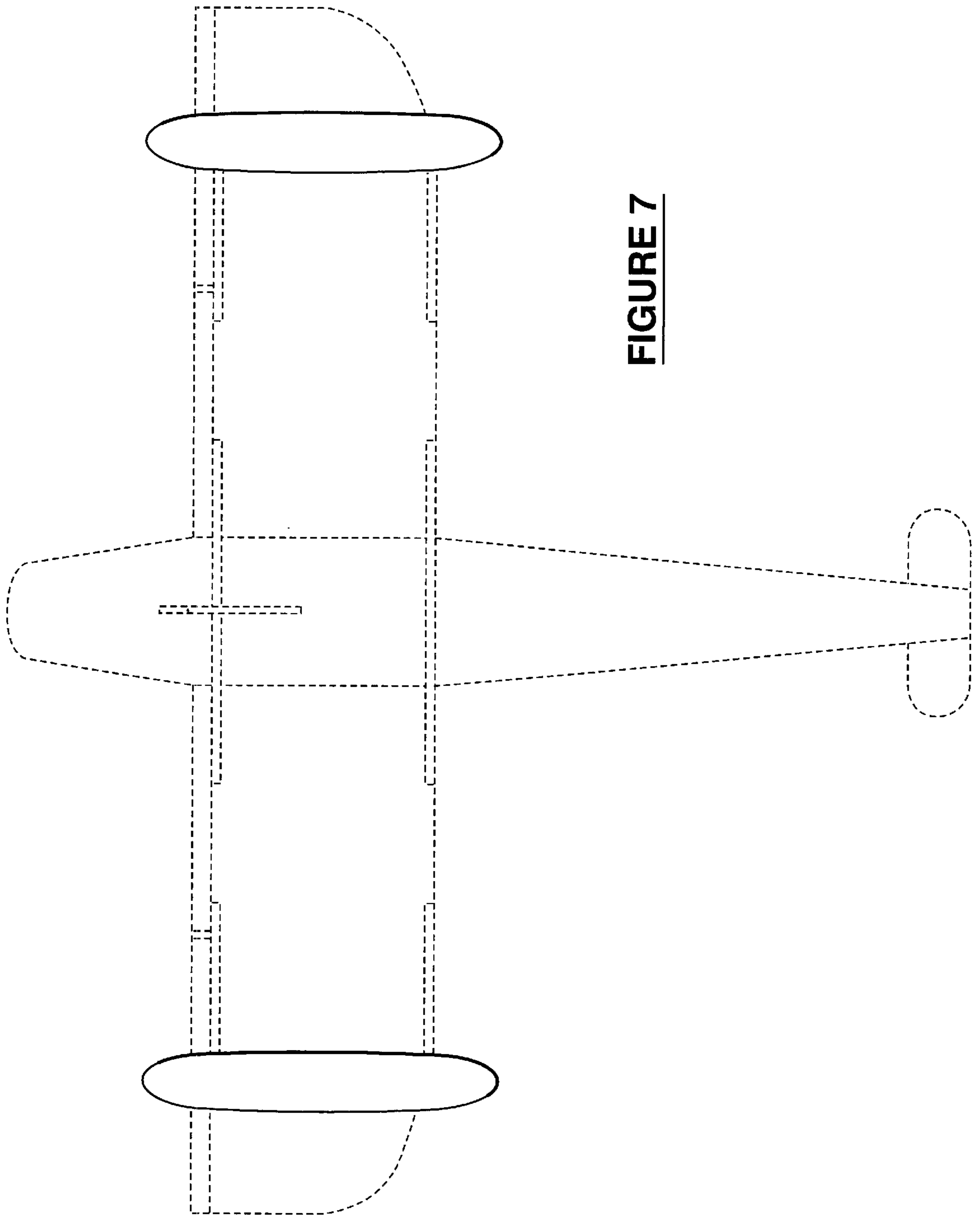


FIGURE 7