



US00D466560S

(12) **United States Design Patent**
Stolpmann

(10) **Patent No.:** **US D466,560 S**

(45) **Date of Patent:** **** Dec. 3, 2002**

(54) **CONVERTIBLE PLAY VEHICLE**

(76) Inventor: **Martin P. Stolpmann**, 7331 McNiven Road, Campbellville, Ontario (CA), L0P 1B0

(**) Term: **14 Years**

(21) Appl. No.: **29/155,822**

(22) Filed: **Feb. 20, 2002**

(30) **Foreign Application Priority Data**

Sep. 28, 2001 (CA) 2001-2329

(51) **LOC (7) Cl.** **21-01**

(52) **U.S. Cl.** **D21/424; D21/425; D21/419**

(58) **Field of Search** D21/419-435, D21/533-536, 763-765; D12/128, 130, 1, 16; 446/424, 425, 427, 433, 450, 454, 456, 457, 465, 470; 280/87.01, 87.021, 87.041, 87.042, 87.051

(56) **References Cited**

U.S. PATENT DOCUMENTS

D104,678 S * 5/1937 Eck D21/425
D213,370 S * 2/1969 Cherry D12/130

3,425,709 A * 2/1969 Fields 280/87.051
D226,813 S * 5/1973 French D21/765
4,218,062 A * 8/1980 Brooks 280/87.041

* cited by examiner

Primary Examiner—Raphael Barkai
(74) *Attorney, Agent, or Firm*—Patrick J. Hofbauer

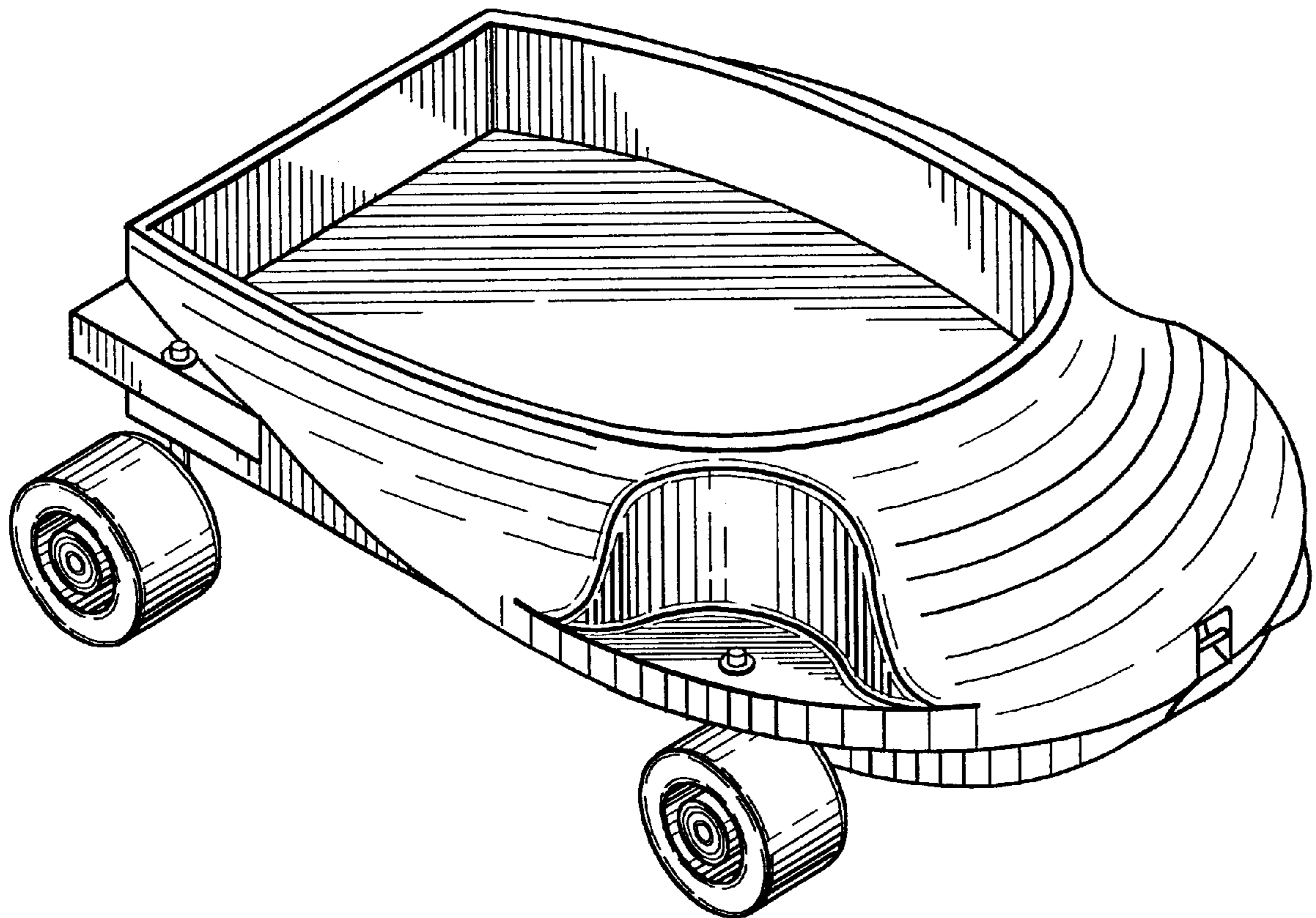
(57) **CLAIM**

The ornamental design for a convertible play vehicle, as shown and described.

DESCRIPTION

FIG. 1 is a perspective view of a convertible play vehicle embodying my design;
FIG. 2 is a top plan view of a convertible play vehicle of FIG. 1;
FIG. 3 is a side elevational view of a convertible play vehicle of FIG. 1;
FIG. 4 is a bottom plan view of a convertible play vehicle of FIG. 1;
FIG. 5 is a front elevational view of a convertible play vehicle of FIG. 1; and,
FIG. 6 is a rear elevational view of a convertible play vehicle of FIG. 1.

1 Claim, 3 Drawing Sheets



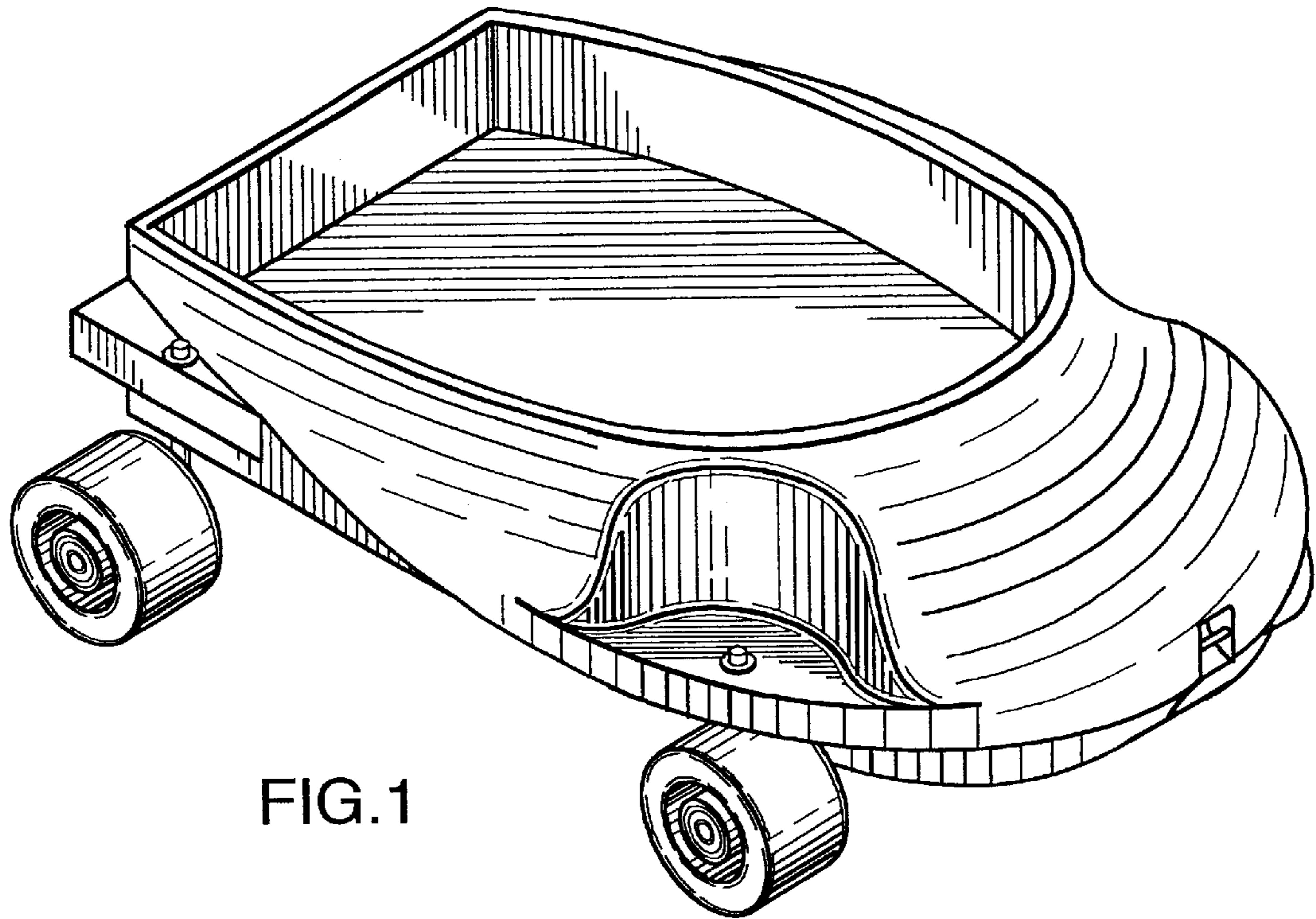


FIG. 1

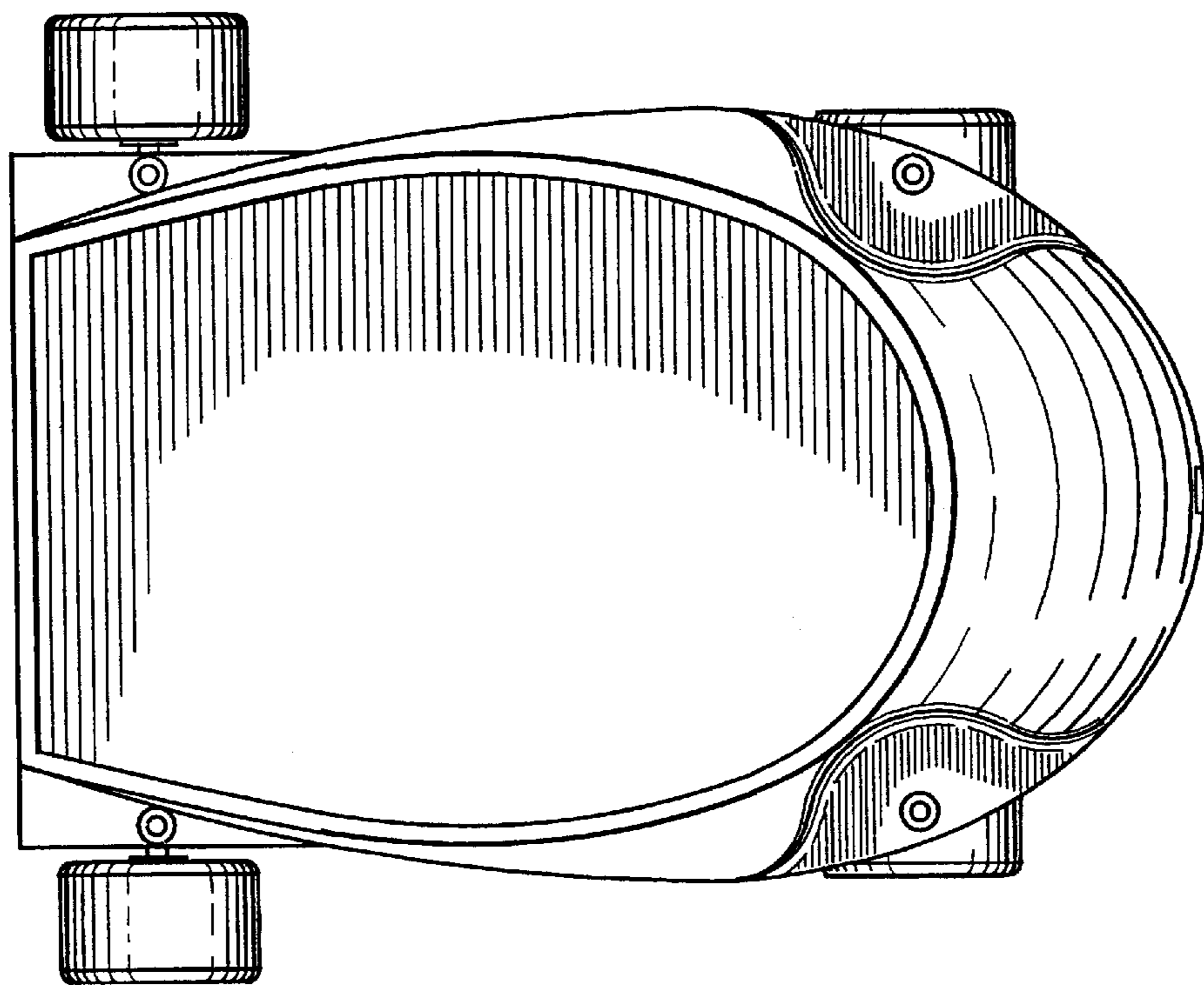


FIG. 2

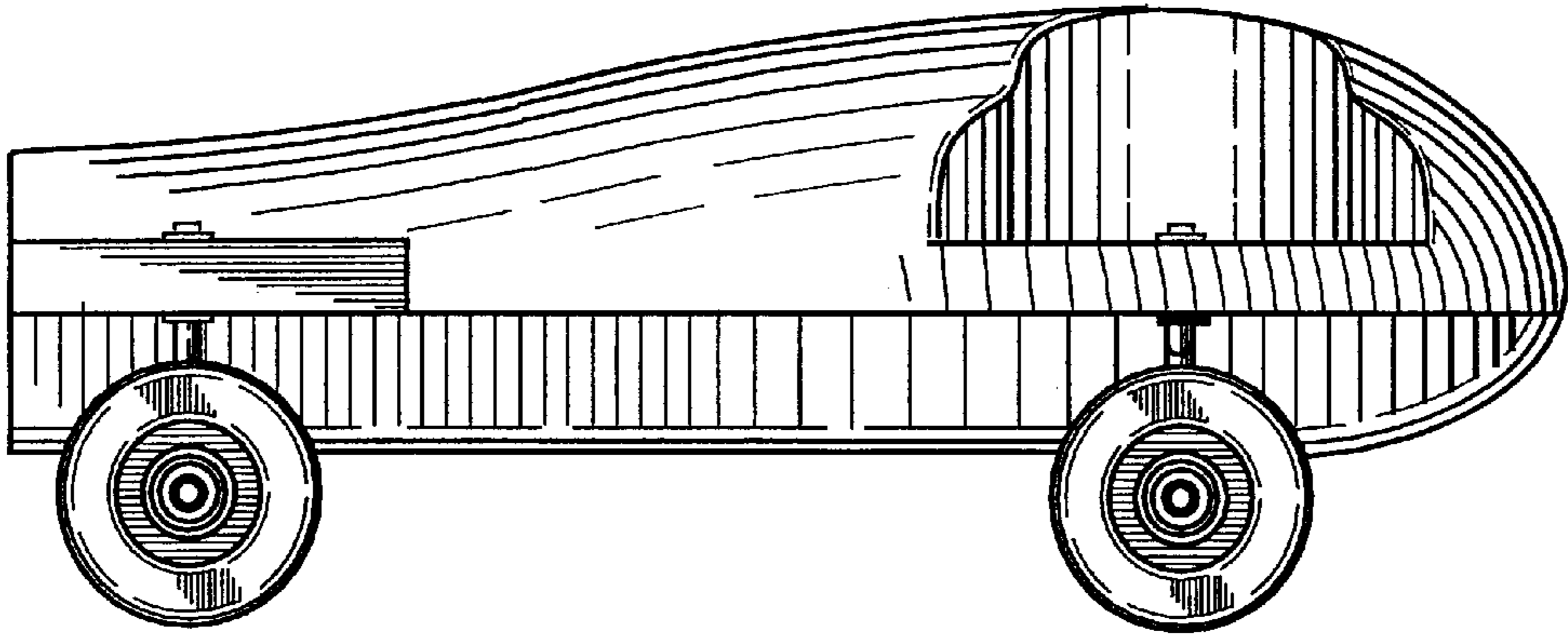


FIG. 3

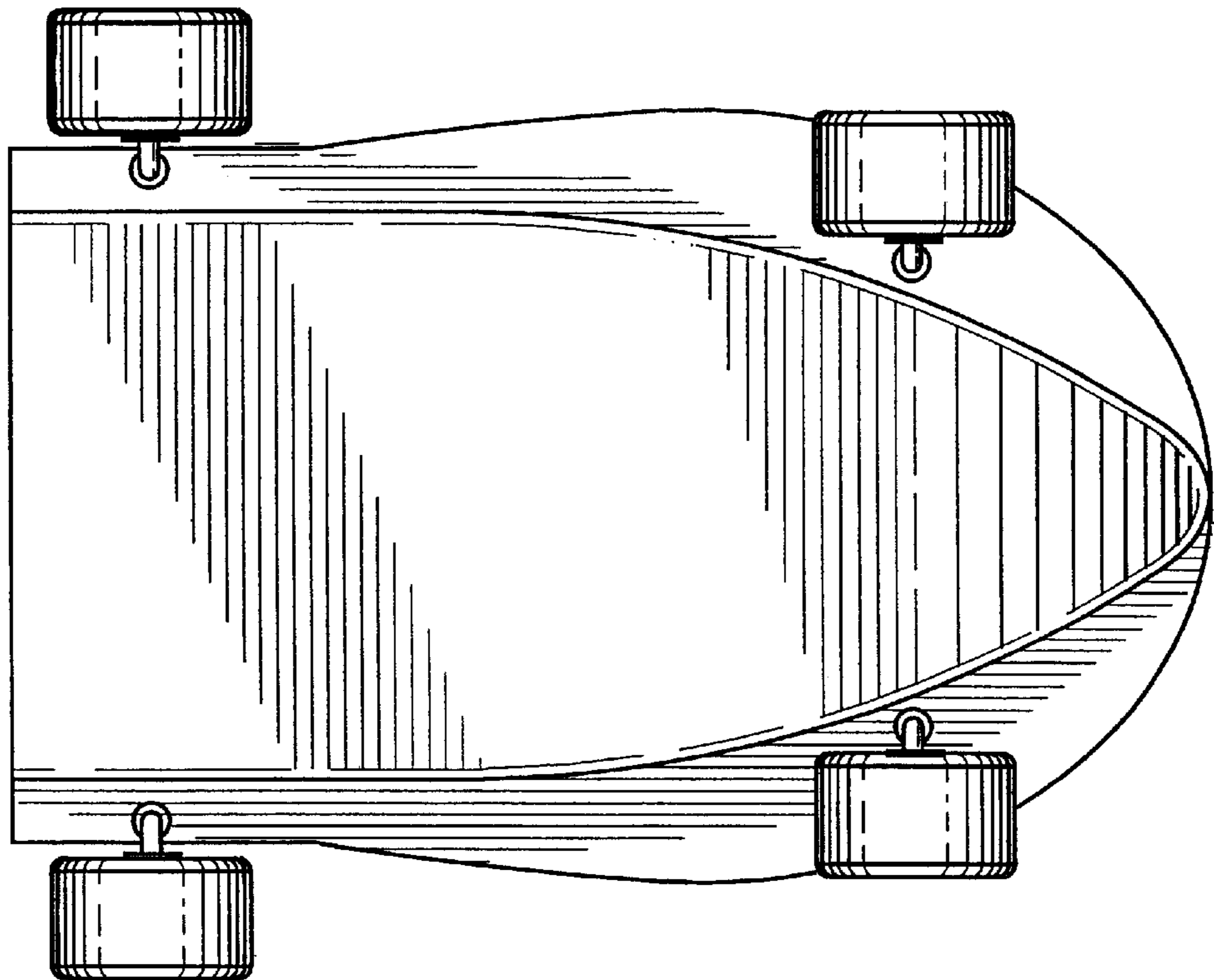


FIG. 4

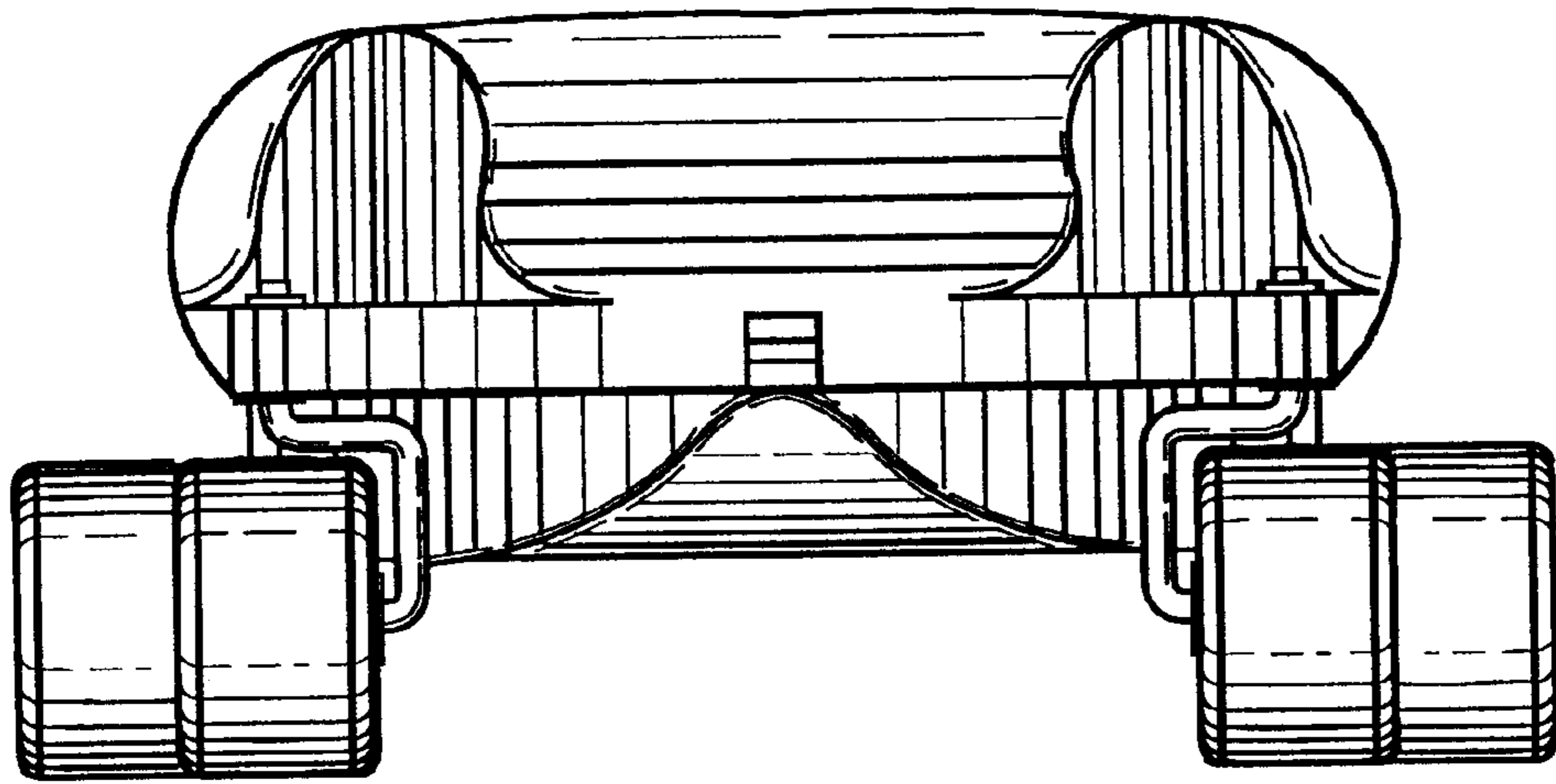


FIG. 5

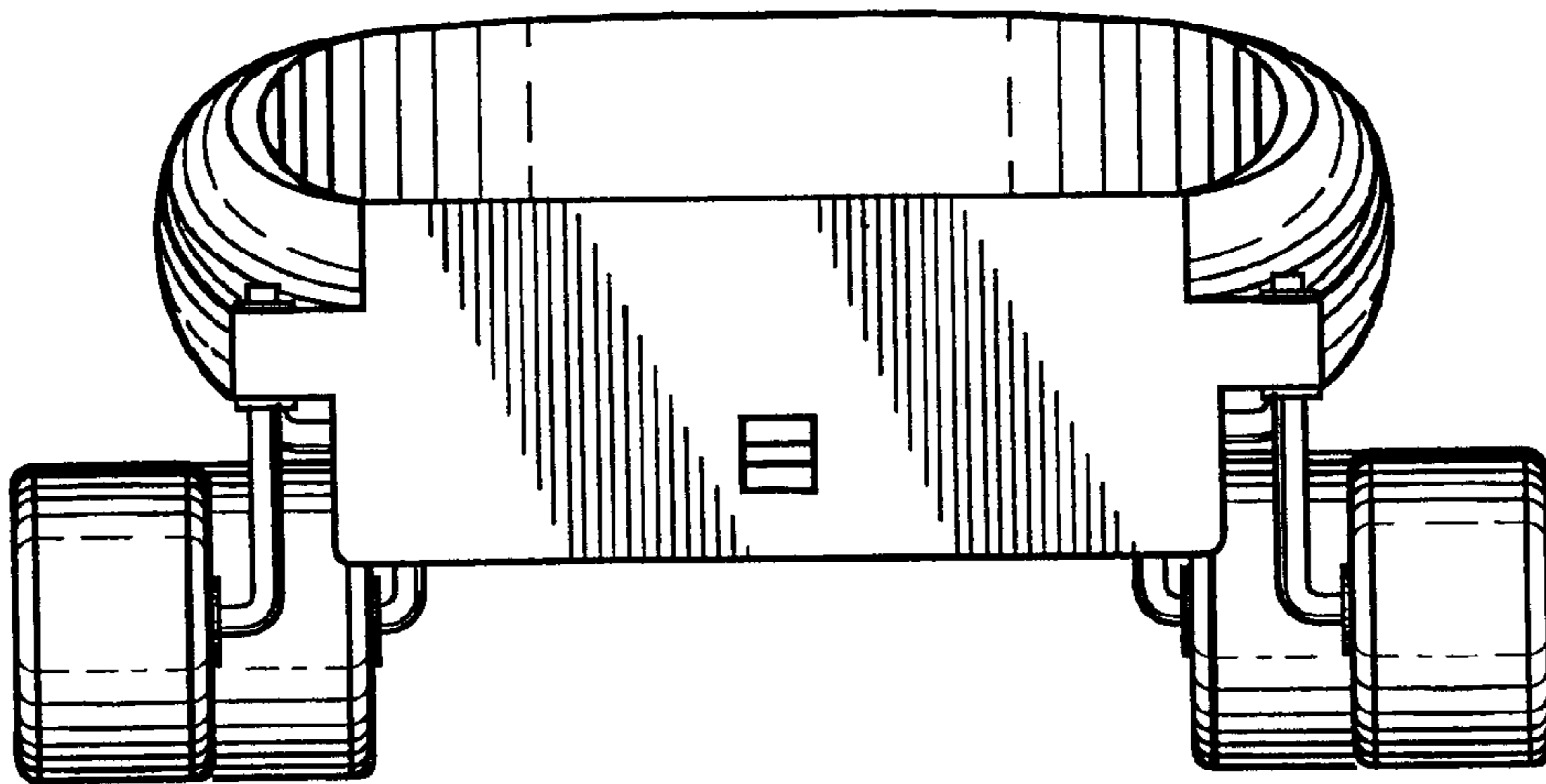


FIG. 6