



US00D466556S

(12) **United States Design Patent**
Rosado

(10) **Patent No.:** **US D466,556 S**

(45) **Date of Patent:** **** Dec. 3, 2002**

(54) **NOTE HOLDER**

(75) **Inventor:** **Michael A. Rosado**, Raleigh, NC (US)

(73) **Assignee:** **Adstracts, Inc.**, Raleigh, NC (US)

(**) **Term:** **14 Years**

(21) **Appl. No.:** **29/155,221**

(22) **Filed:** **Feb. 5, 2002**

(51) **LOC (7) Cl.** **19-02**

(52) **U.S. Cl.** **D19/90; D19/88**

(58) **Field of Search** D19/35, 36, 65,
D19/75, 78, 86, 88, 90, 91, 99, 100; 248/441.1,
442.2, 450, 451, 453, 454, 473, 901, 910;
D6/300, 302, 310

(56) **References Cited**

U.S. PATENT DOCUMENTS

327,440 A	9/1885	Heysinger	
774,036 A	11/1904	Burgess	
1,630,373 A	* 5/1927	Combs	248/473
1,681,586 A	8/1928	Kessler	
1,768,675 A	7/1930	Egan	
2,266,966 A	* 12/1941	Fairchild	248/450 X
3,994,460 A	11/1976	Geiger	248/176
4,075,773 A	2/1978	Daster	40/11
4,125,243 A	11/1978	Liptak	248/473
D279,991 S	8/1985	Lehman	D19/21
D347,858 S	6/1994	Miller et al.	D19/90
5,505,421 A	4/1996	Marthaler	248/442.2
5,667,183 A	9/1997	Hiromori	248/451
5,725,191 A	* 3/1998	Nemeth	248/442.2
5,775,663 A	7/1998	Fitzsimmons et al.	248/450
D401,968 S	* 12/1998	Suzuki	D19/65
5,842,721 A	* 12/1998	Kawabe	281/45
5,845,889 A	12/1998	Suzuki	248/451
5,857,654 A	1/1999	Berman	248/441.1
D407,440 S	* 3/1999	Vanlandingham, Jr.	D19/88

D418,166 S	* 12/1999	Dill	D19/88
D418,876 S	1/2000	Rhoden	D19/88
D419,602 S	* 1/2000	Mori	D19/91
6,059,249 A	5/2000	Scatterday	248/450
D426,853 S	* 6/2000	Clubbe	D19/90
D438,253 S	2/2001	Korowitz et al.	D19/78
6,267,346 B1	7/2001	Dill et al.	248/473
D448,418 S	9/2001	Langenbach	D19/90
D451,962 S	12/2001	Thornton	D19/78

OTHER PUBLICATIONS

Guernsey Office Products Catalog, c1999, p. 484, see circled item E, left center.*

* cited by examiner

Primary Examiner—Martie K. Holtje

(74) *Attorney, Agent, or Firm*—Myers Bigel Sibley & Sajovec

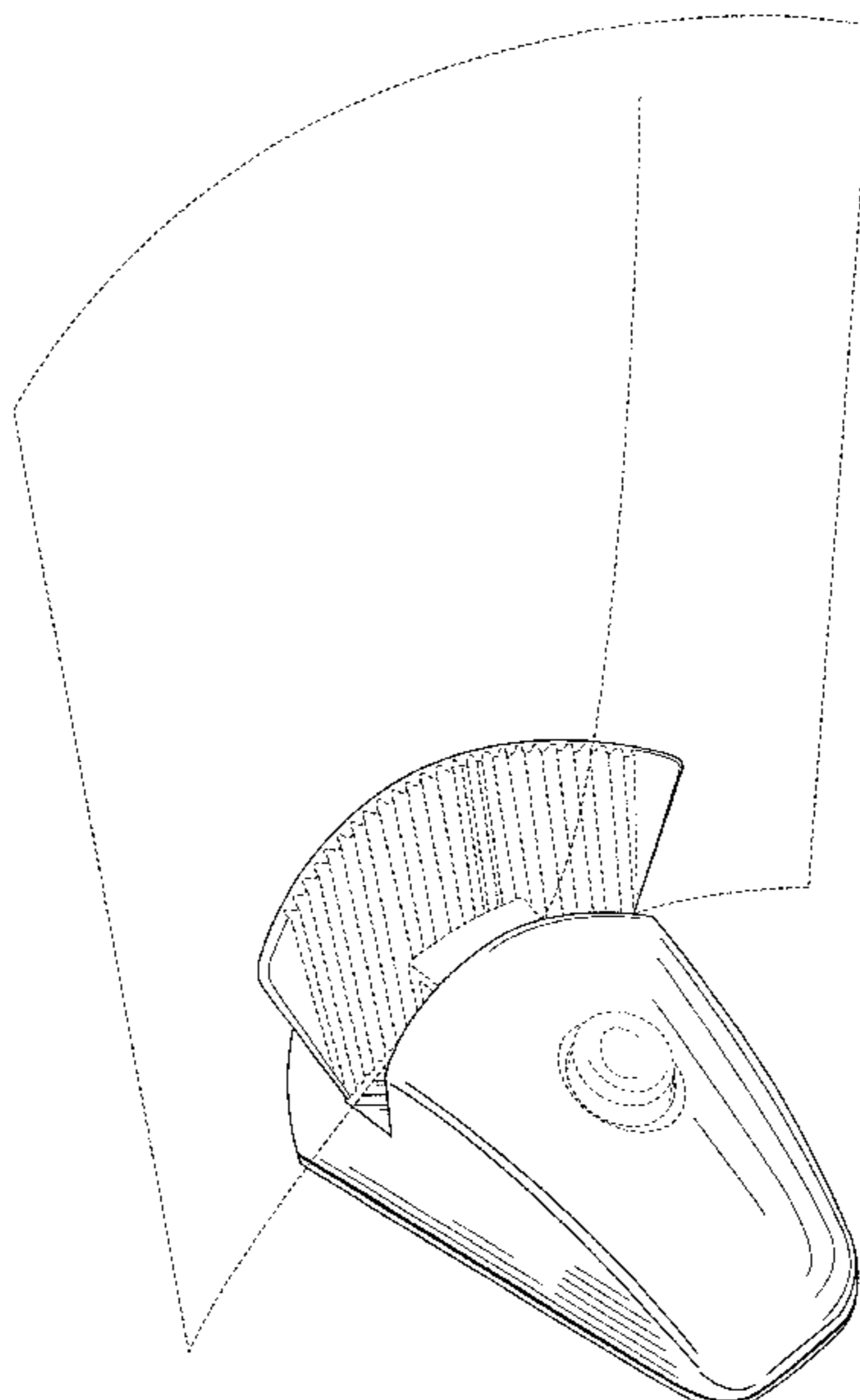
(57) **CLAIM**

The ornamental design for a note holder, as shown and described.

DESCRIPTION

FIG. 1 is a perspective view of a note holder, showing my new design;
 FIG. 2 is a top plan view thereof;
 FIG. 3 is a front elevational view thereof;
 FIG. 4 is a rear elevational view thereof;
 FIG. 5 is a side elevational view thereof;
 FIG. 6 is a side elevational view thereof, opposite that shown in FIG. 5.
 FIG. 7 is a bottom plan view thereof; and,
 FIG. 8 is a perspective view of the note holder of FIG. 1 shown in its environment.
 The broken lines shown herein are for illustrative purposes only and form no part of the claimed design.

1 Claim, 7 Drawing Sheets



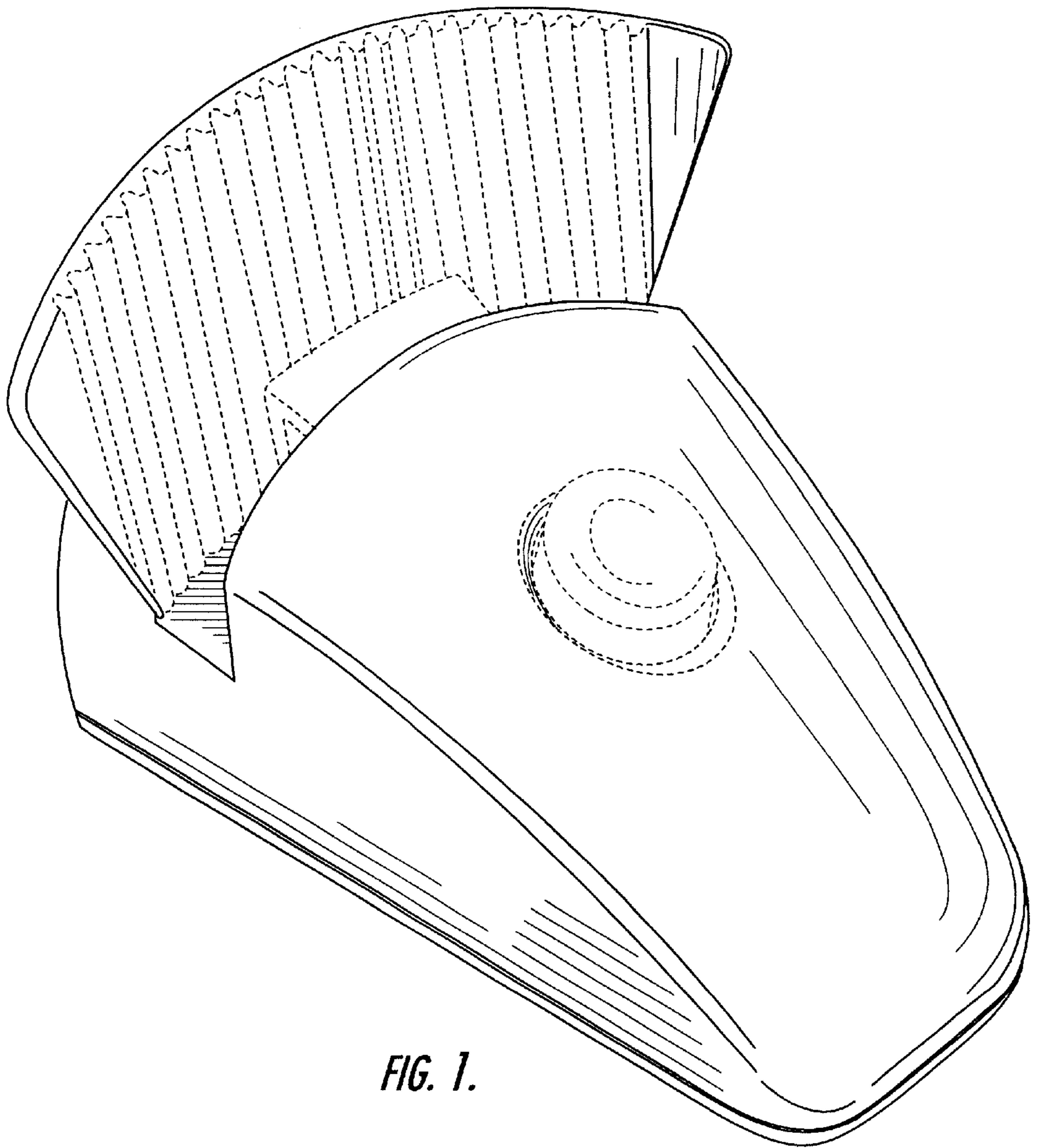


FIG. 1.

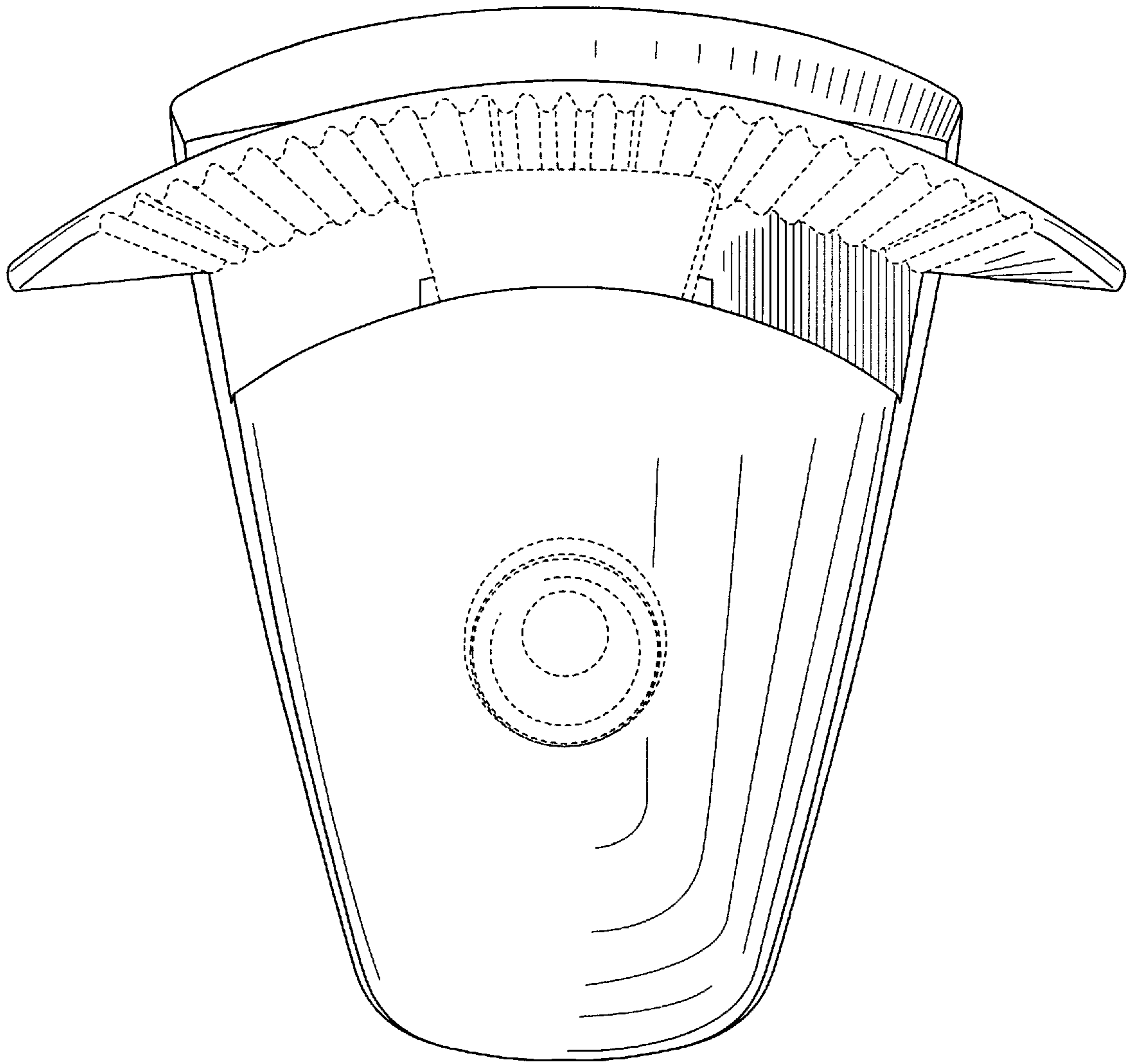


FIG. 2.

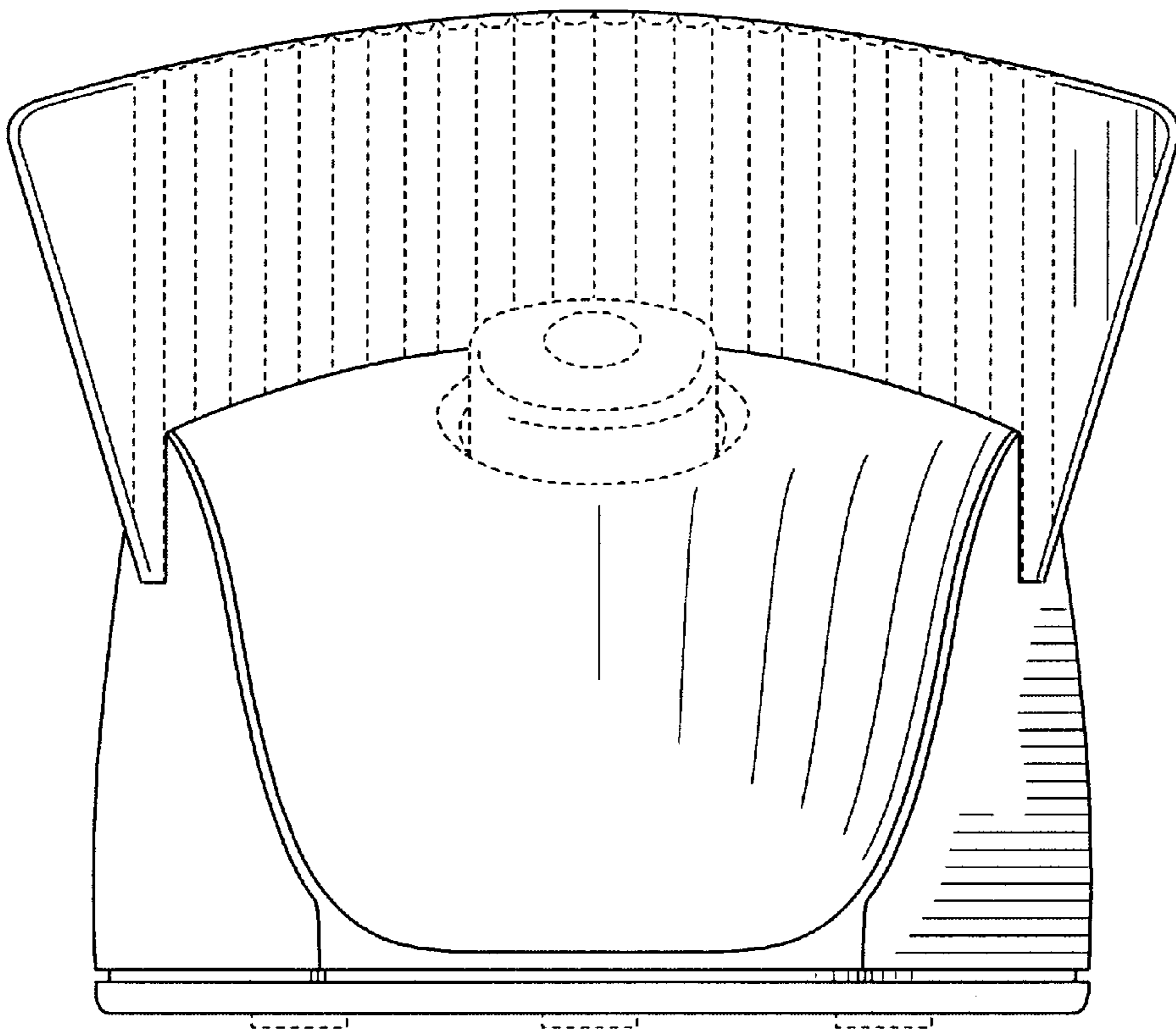


FIG. 3.

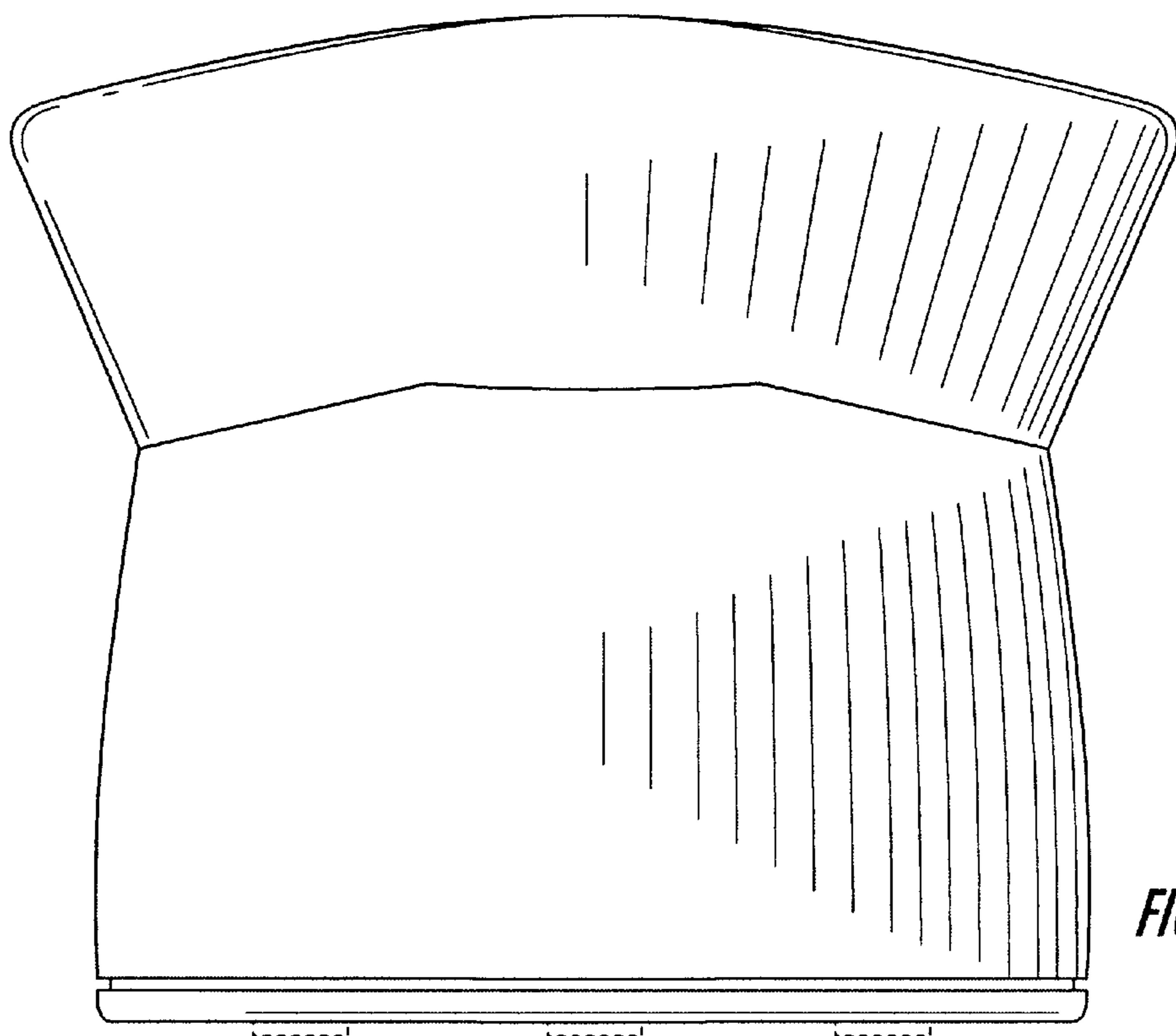


FIG. 4.

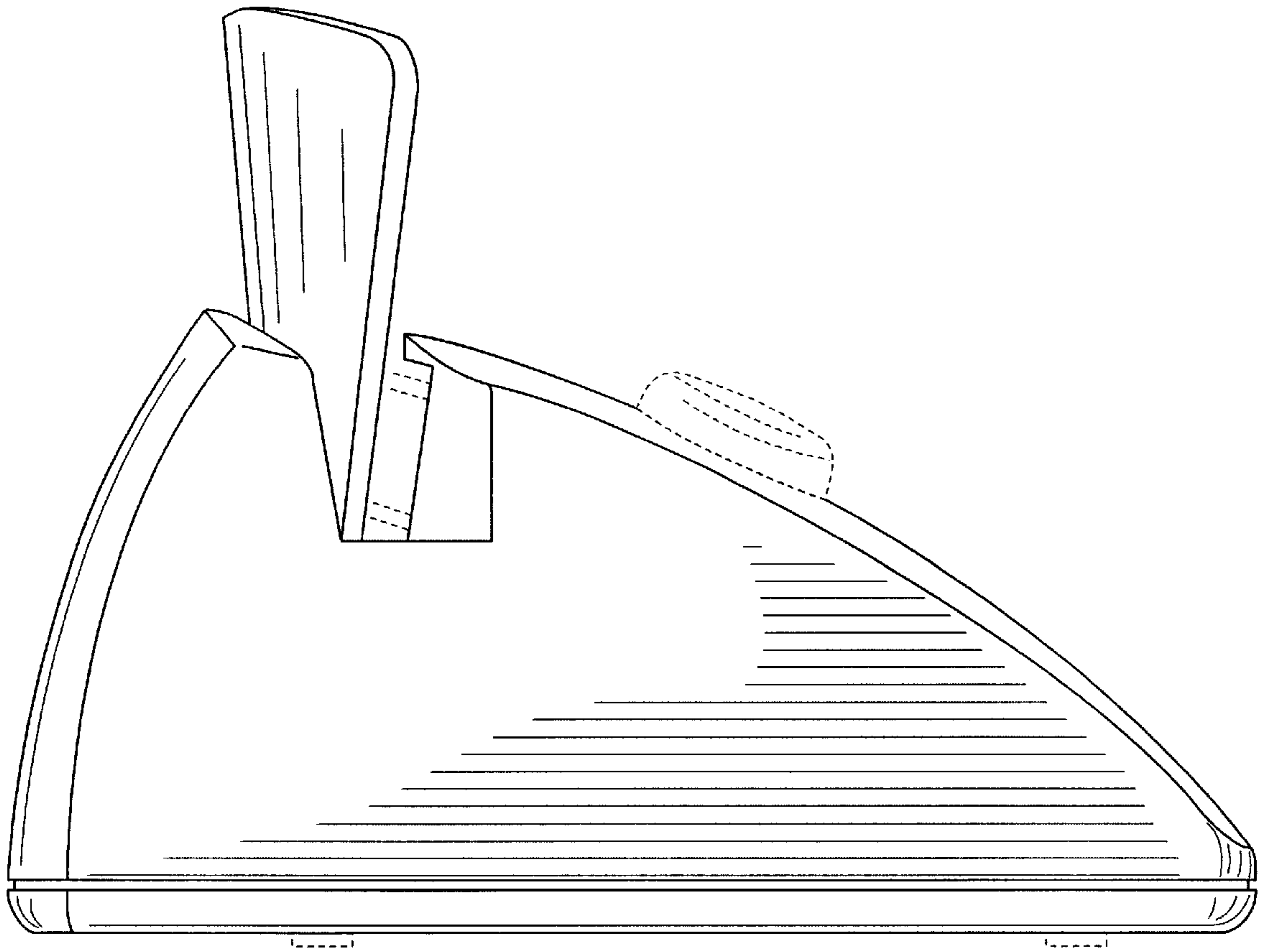


FIG. 5.

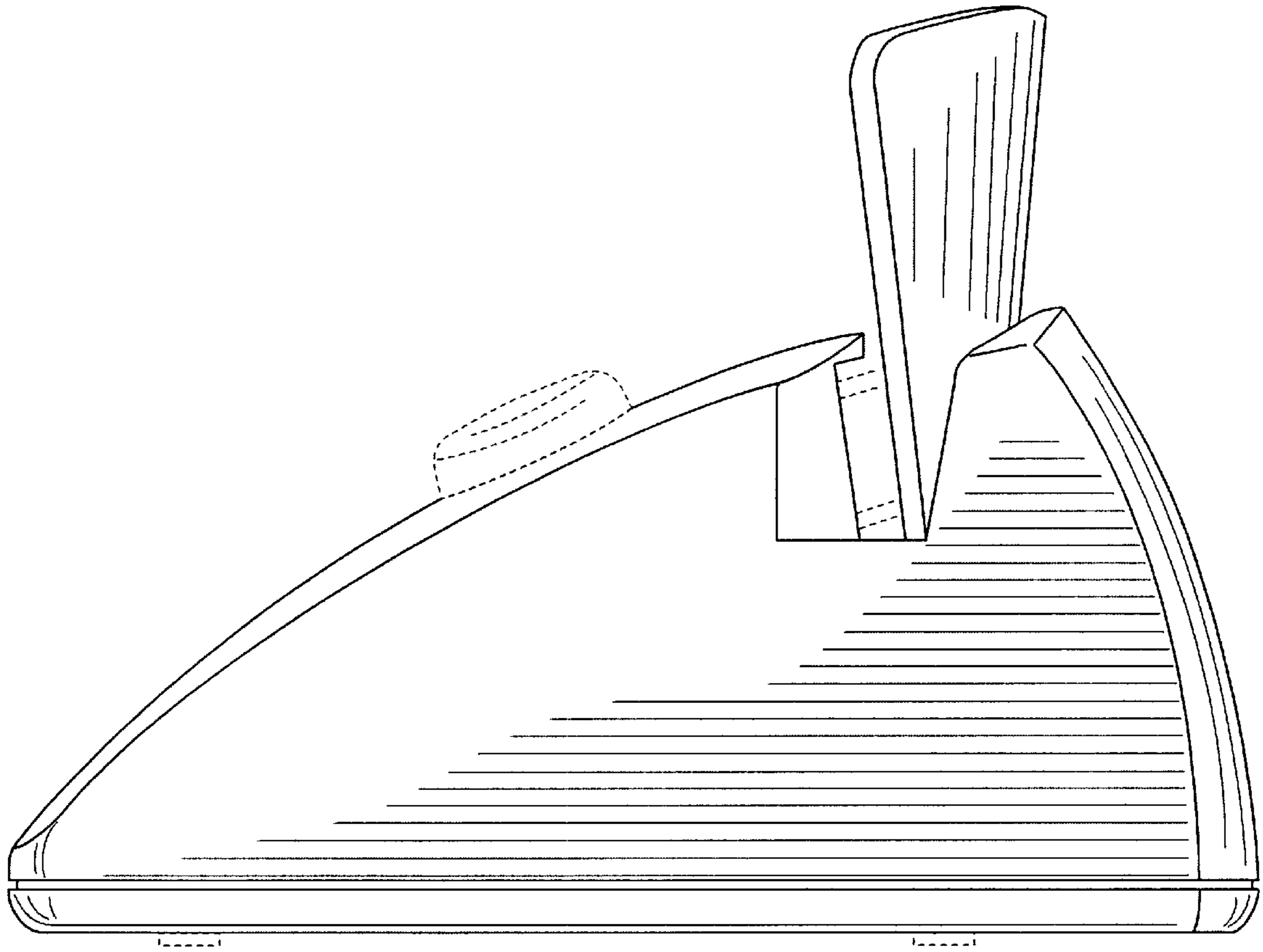


FIG. 6.

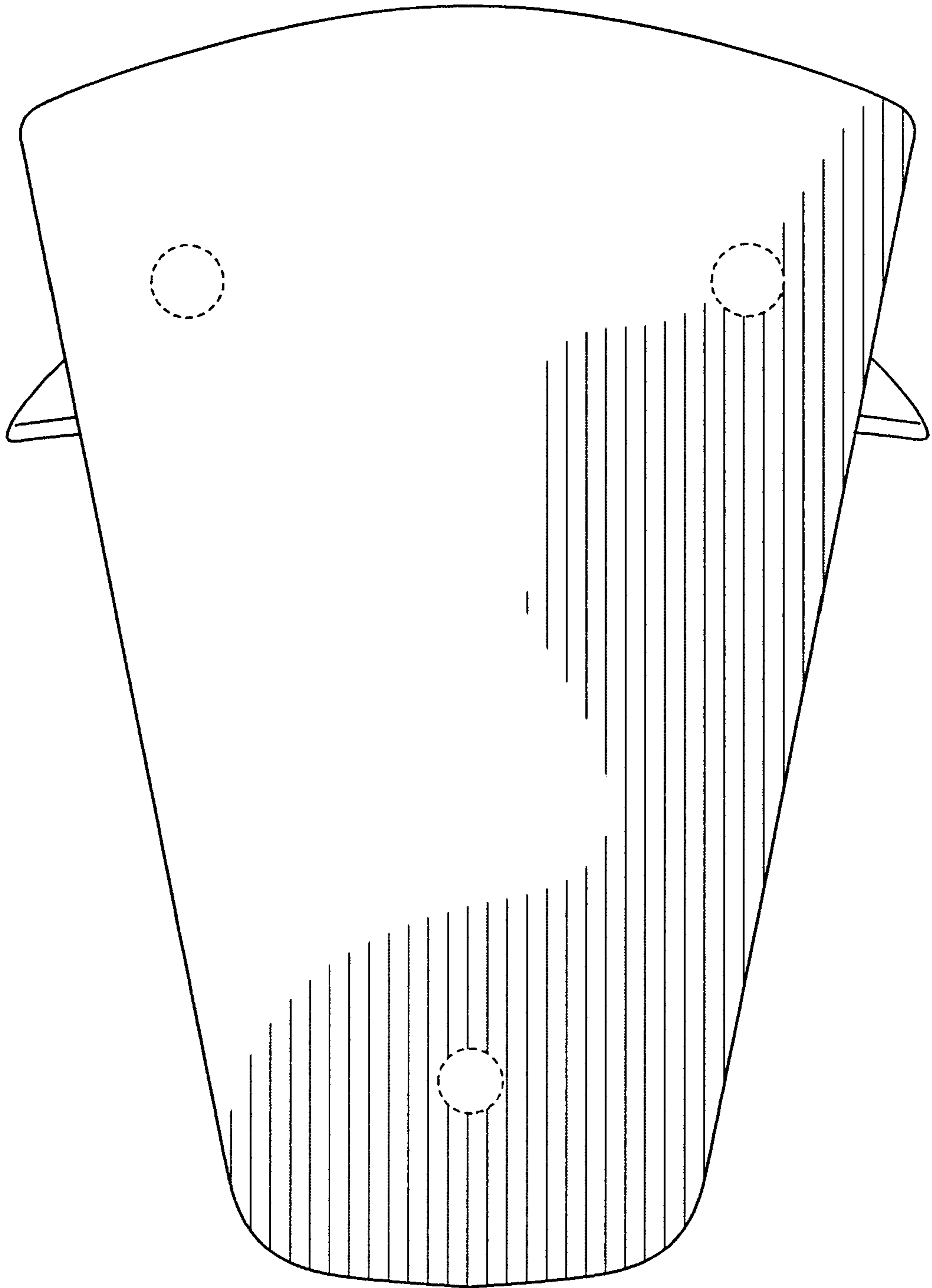


FIG. 7.

