



US00D466552S

(12) **United States Design Patent**  
**Hwang et al.**

(10) **Patent No.:** **US D466,552 S**

(45) **Date of Patent:** **\*\* Dec. 3, 2002**

(54) **INKJET PRINTER**

(75) Inventors: **Peter G. Hwang**, Vancouver, WA (US);  
**Gary T. Strowe**, Vancouver, WA (US);  
**Jeffrey J. Grange**, Brush Prairie, WA (US)

(73) Assignee: **Hewlett-Packard Company**, Palo Alto, CA (US)

(\*\*) Term: **14 Years**

(21) Appl. No.: **29/151,921**

(22) Filed: **Oct. 26, 2001**

(51) **LOC (7) Cl.** ..... **14-02**

(52) **U.S. Cl.** ..... **D18/55**

(58) **Field of Search** ..... D18/50, 54-55,  
D18/54.1, 36-38; D14/462-470; 400/691-694,  
690.1-690.4, 613, 613.1-613.4

(56) **References Cited**

**U.S. PATENT DOCUMENTS**

D375,119 S \* 10/1996 Pangburn ..... D18/50

D439,274 S \* 3/2001 Dwyer et al. .... D18/55  
D443,296 S \* 6/2001 Dwyer et al. .... D18/55  
D449,334 S \* 10/2001 Dwyer et al. .... D18/55  
D460,780 S \* 7/2002 Dwyer et al. .... D18/55

\* cited by examiner

*Primary Examiner*—Cathy Anne MacCormac

(74) *Attorney, Agent, or Firm*—Christopher B. Miller

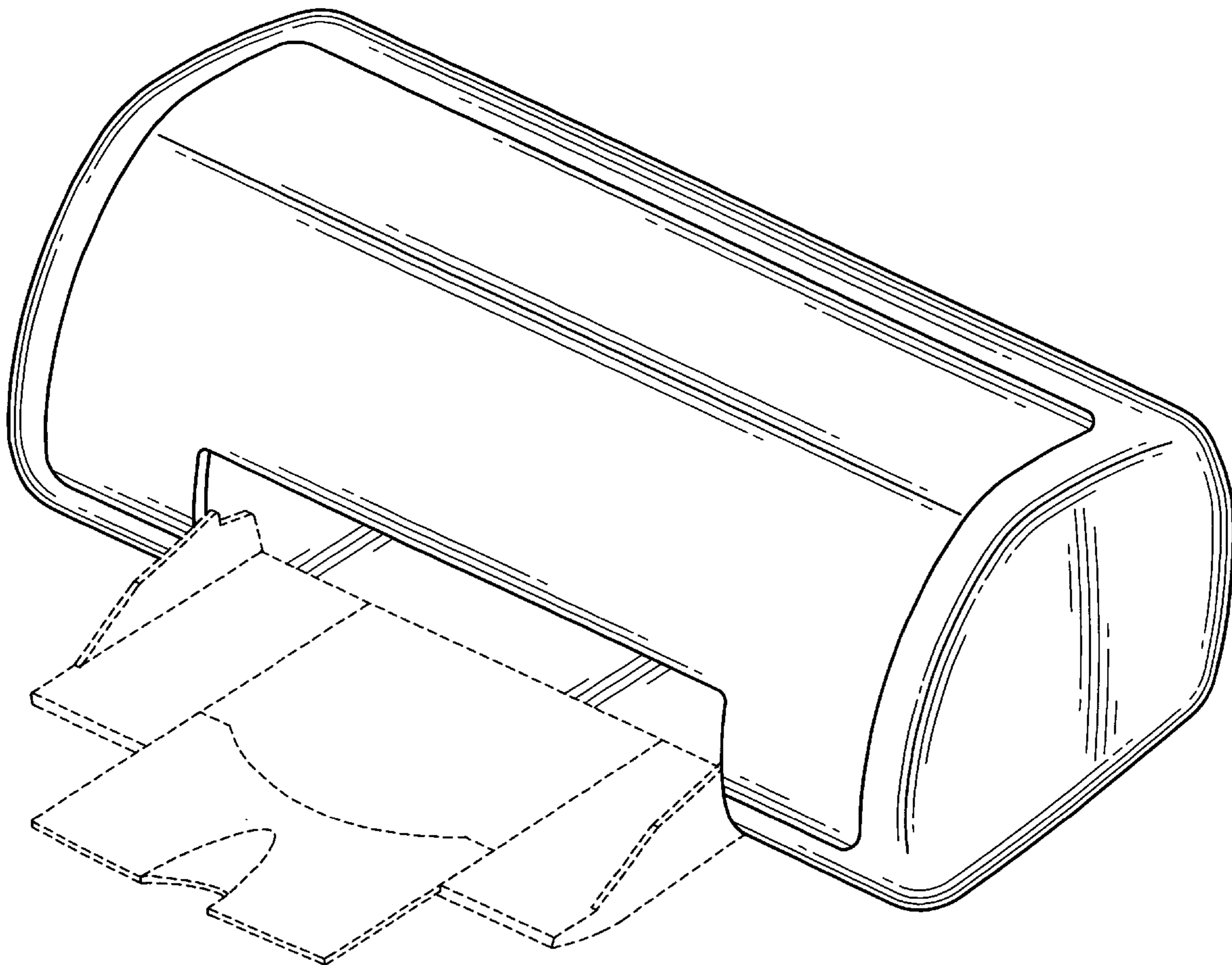
(57) **CLAIM**

The ornamental design for an inkjet printer, substantially as shown and described.

**DESCRIPTION**

FIG. 1 is a perspective view of an inkjet printer in accordance with the present invention;  
FIG. 2 is a top plan view thereof;  
FIG. 3 is a front elevational view thereof;  
FIG. 4 is a rear elevational view thereof; and,  
FIG. 5 is a left side elevational view and mirror image of a right side elevational view thereof.  
The broken lines are for purposes of illustration only and form no part of the claimed design.

**1 Claim, 4 Drawing Sheets**



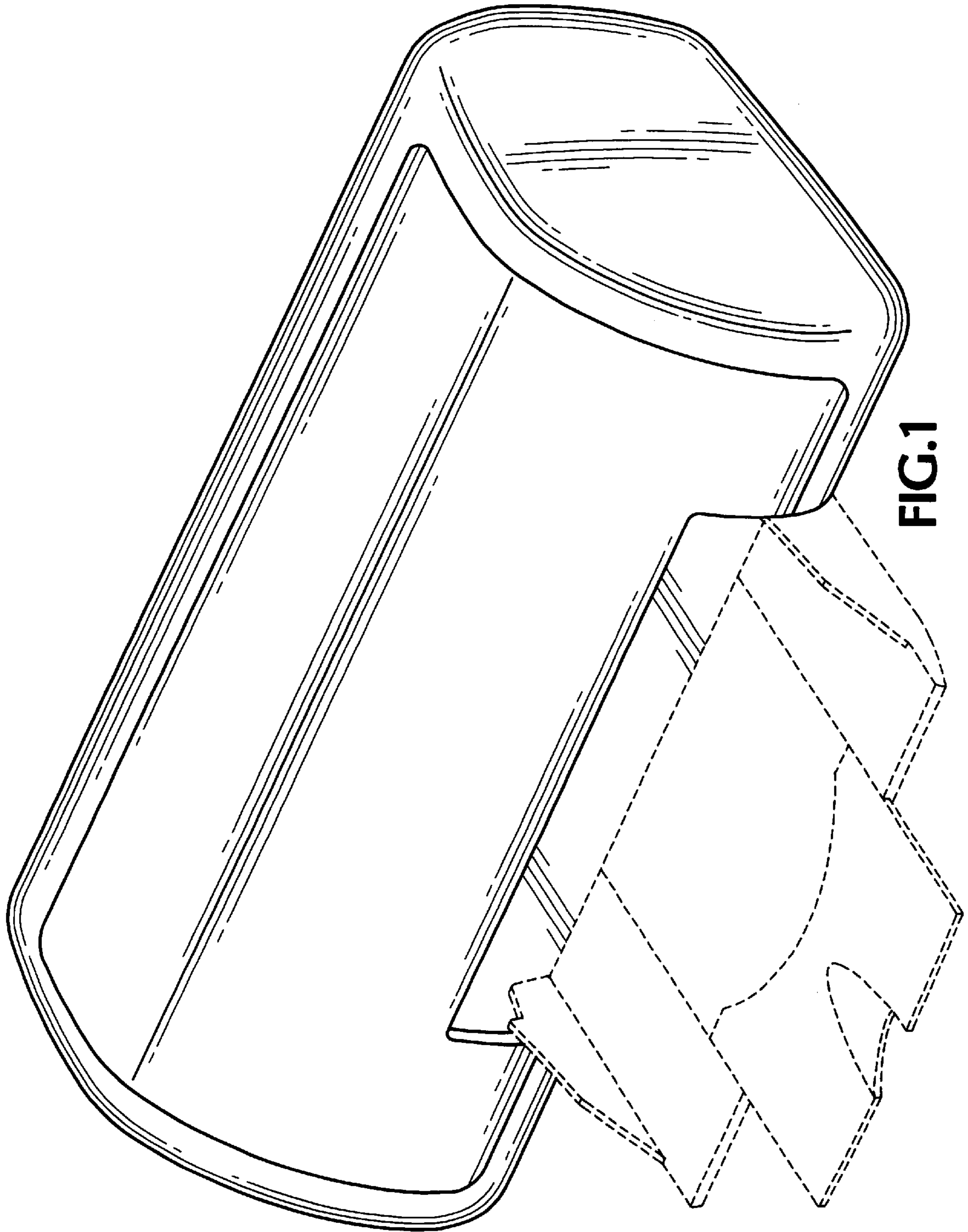
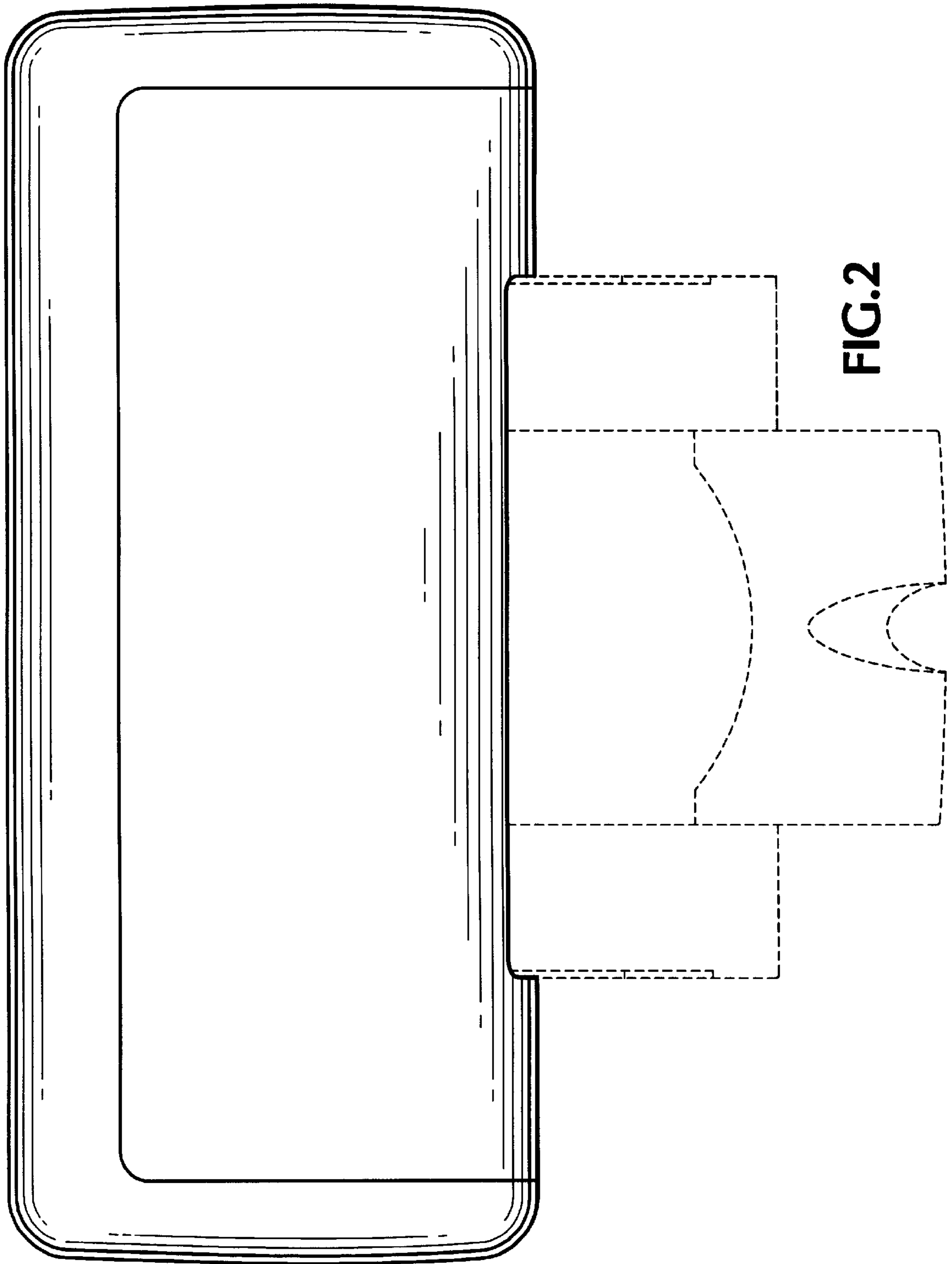


FIG.1



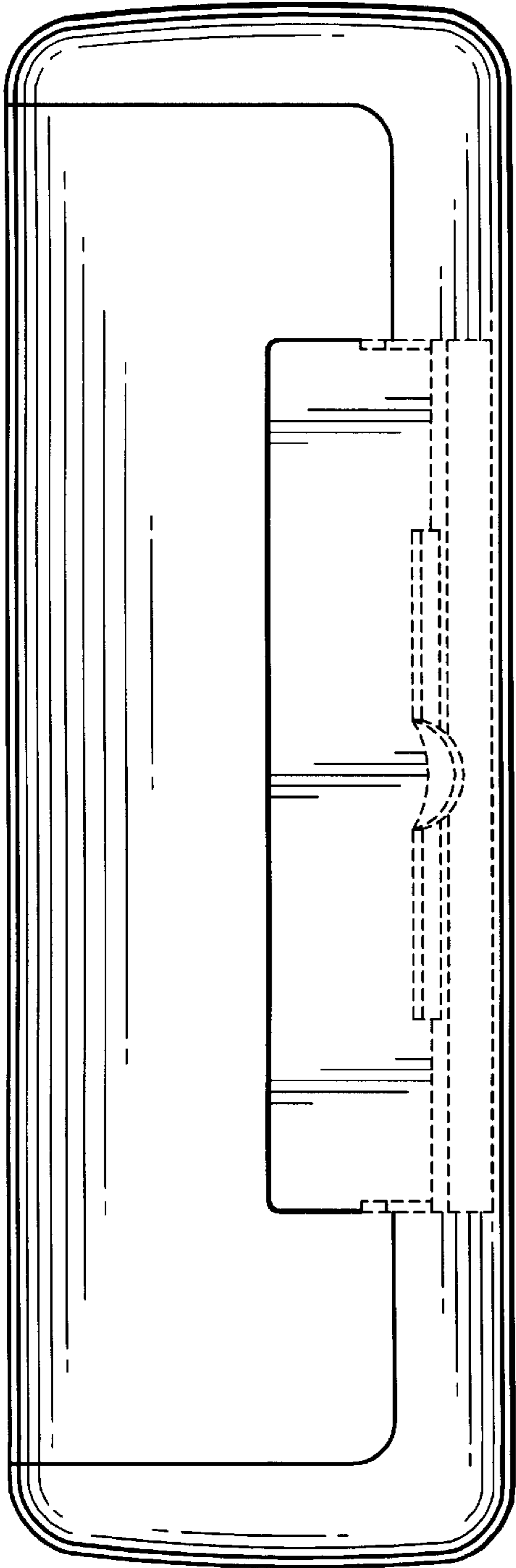


FIG. 3

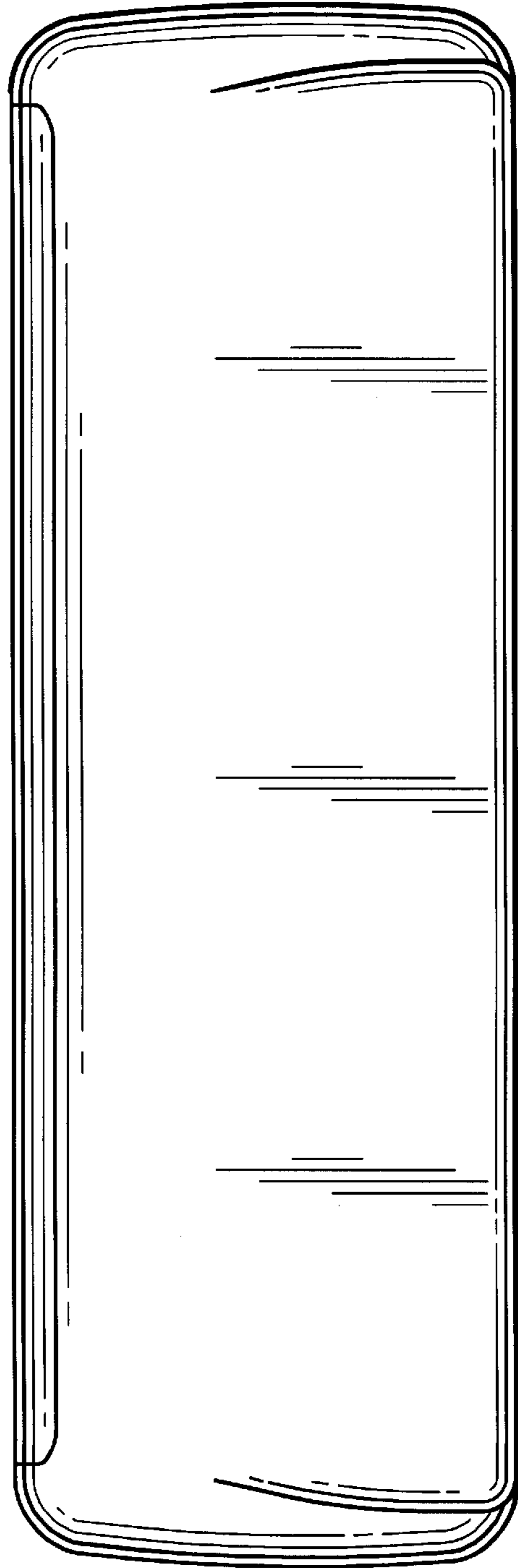


FIG. 4

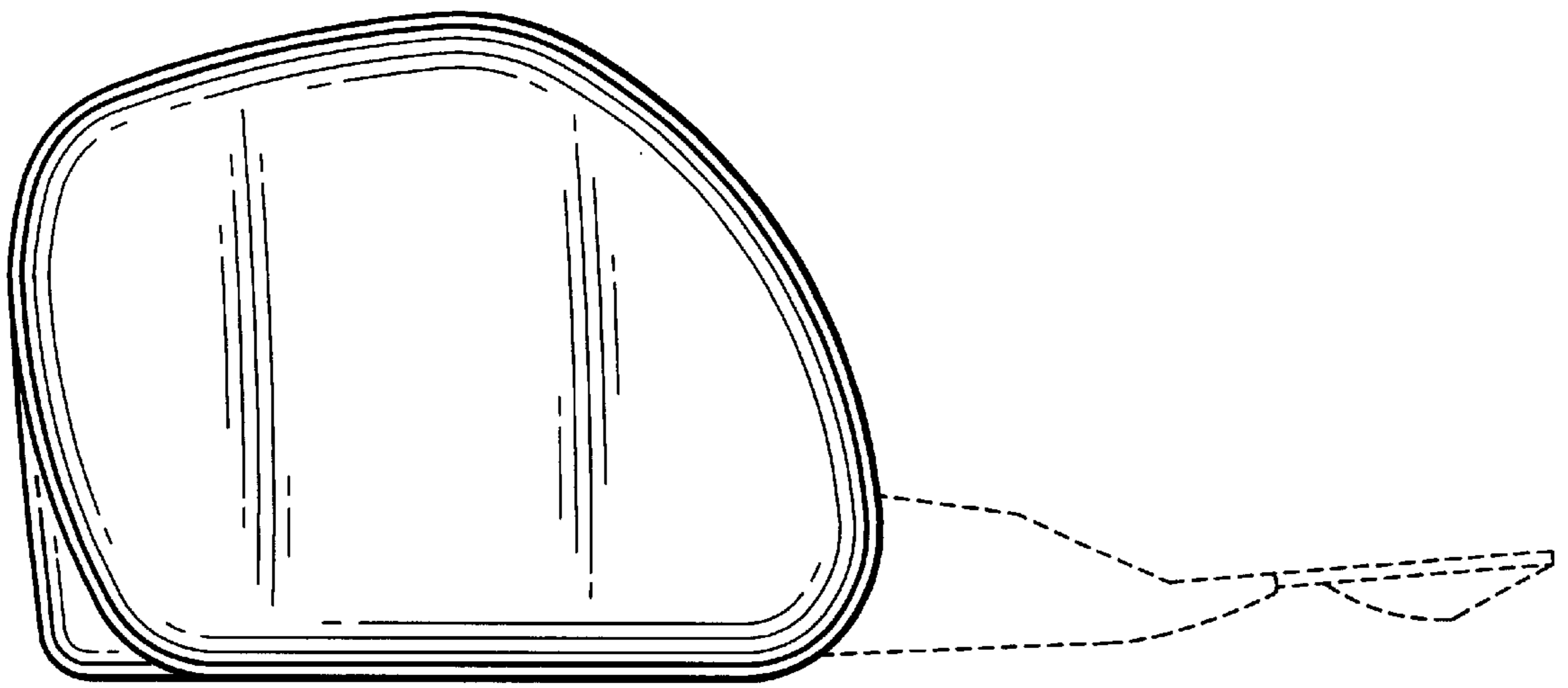


FIG.5