



US00D466540S

(12) **United States Design Patent**
Lannestedt et al.

(10) **Patent No.:** **US D466,540 S**

(45) **Date of Patent:** **** Dec. 3, 2002**

(54) **INFRARED CAMERA**

(75) Inventors: **Tomas Lannestedt, Danderyd (SE);
Torbjörn Hamrelius, Danderyd (SE)**

(73) Assignee: **Flir Systems AB, Danderyd (SE)**

(**) Term: **14 Years**

(21) Appl. No.: **29/150,122**

(22) Filed: **Nov. 7, 2001**

(30) **Foreign Application Priority Data**

May 7, 2001 (SE) 01-0793

(51) **LOC (7) Cl.** **16-01**

(52) **U.S. Cl.** **D16/218; D16/202**

(58) **Field of Search** **D16/200-205,
D16/208, 218; 348/14.01-14.06, 373-376;
396/535-541**

(56) **References Cited**

U.S. PATENT DOCUMENTS

5,825,408 A * 10/1998 Yuyama et al. 348/14.01

D431,827 S * 10/2000 Yim D16/202

D445,441 S * 7/2001 Liu D16/202

D454,901 S * 3/2002 Goto D16/202

D458,290 S * 6/2002 Tu et al. D16/202

* cited by examiner

Primary Examiner—Adir Aronovich

(74) *Attorney, Agent, or Firm*—Young & Thompson

(57) **CLAIM**

The ornamental design for an infrared camera, as shown and described.

DESCRIPTION

FIG. 1 is a front perspective view of an infrared camera, showing our new design;

FIG. 2 is a rear perspective view thereof;

FIG. 3 is a bottom plan view thereof;

FIG. 4 is a top plan view thereof;

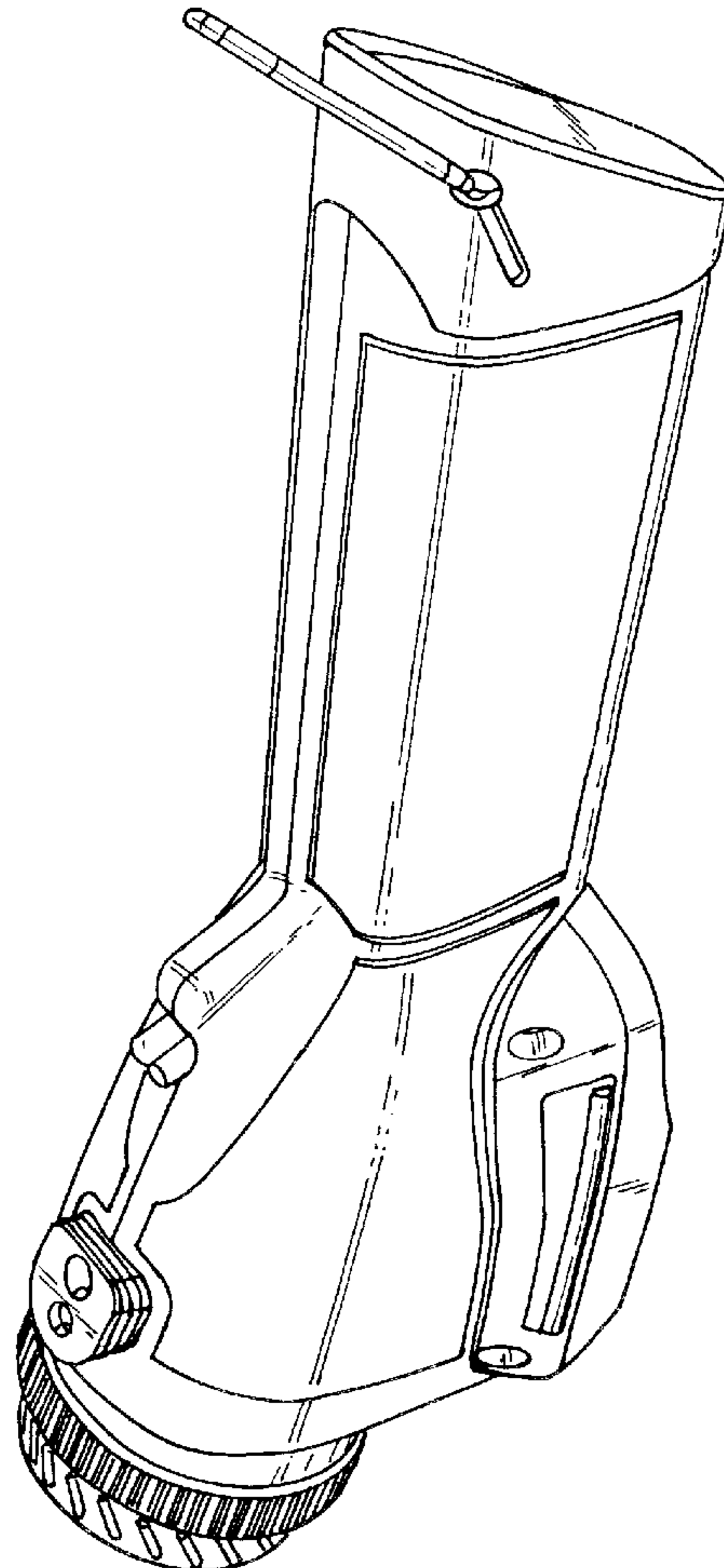
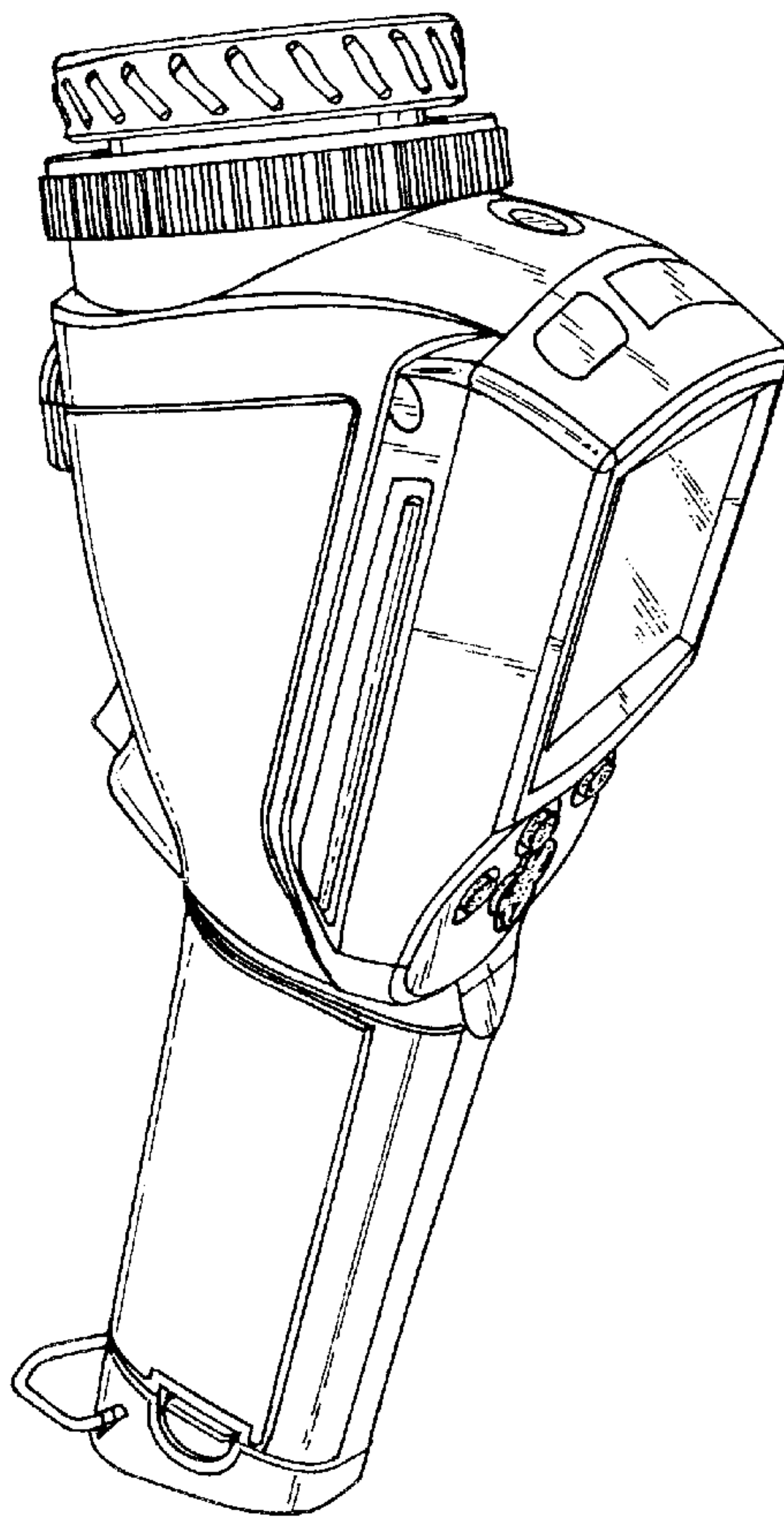
FIG. 5 is a left side elevational view thereof;

FIG. 6 is a right side elevational view thereof;

FIG. 7 is a front end view thereof; and,

FIG. 8 is a rear end view thereof.

1 Claim, 3 Drawing Sheets



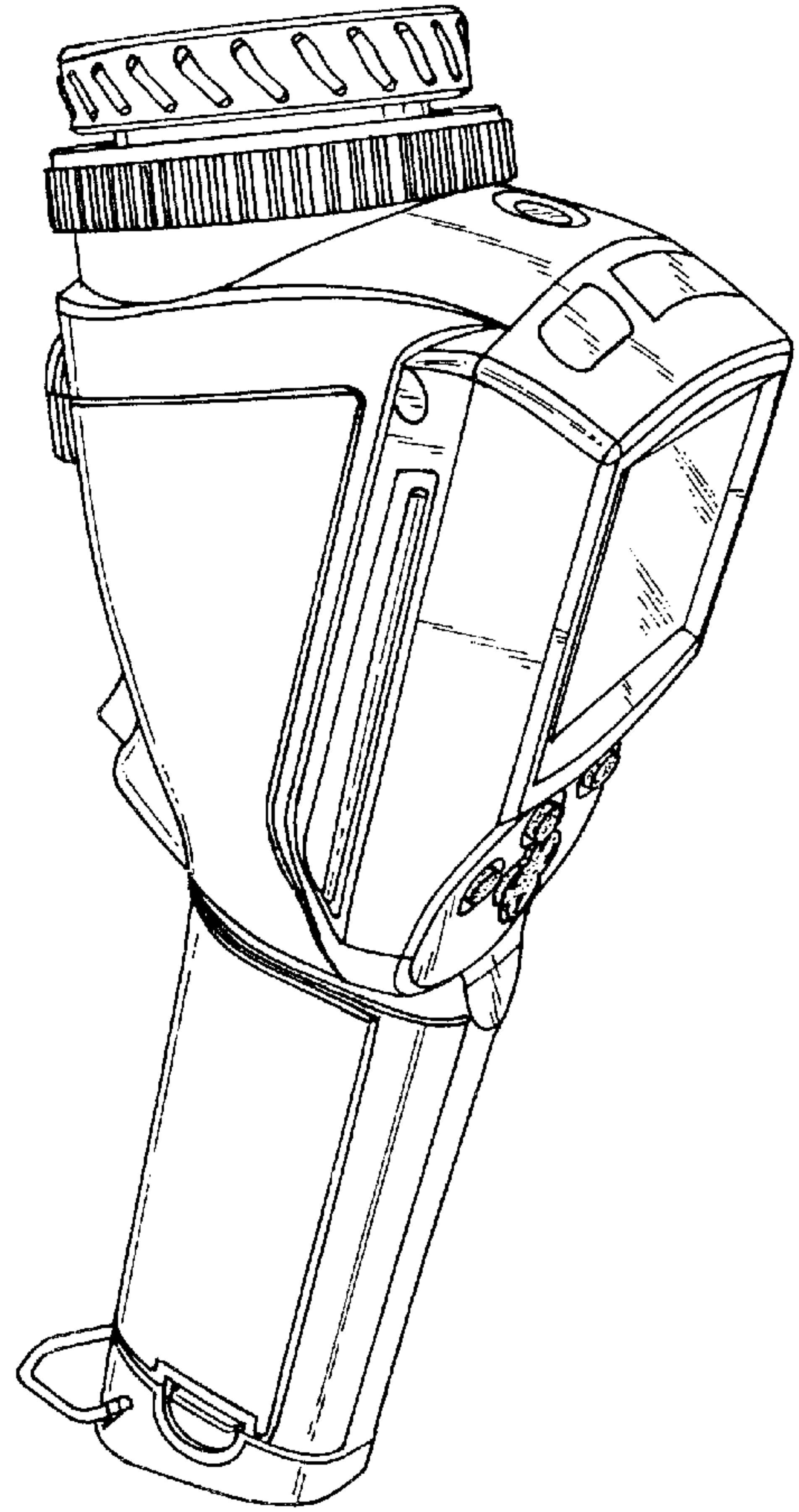


FIG. 1

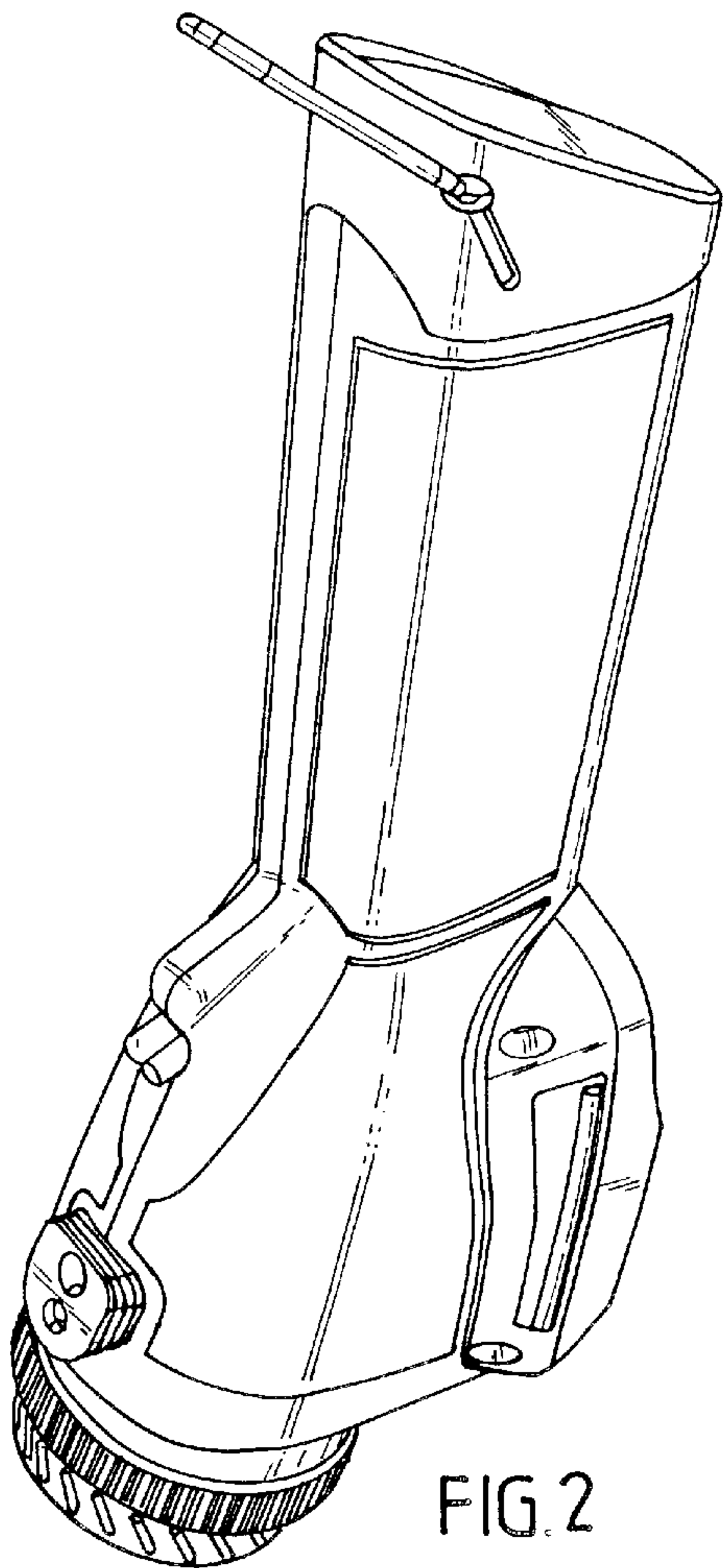


FIG. 2

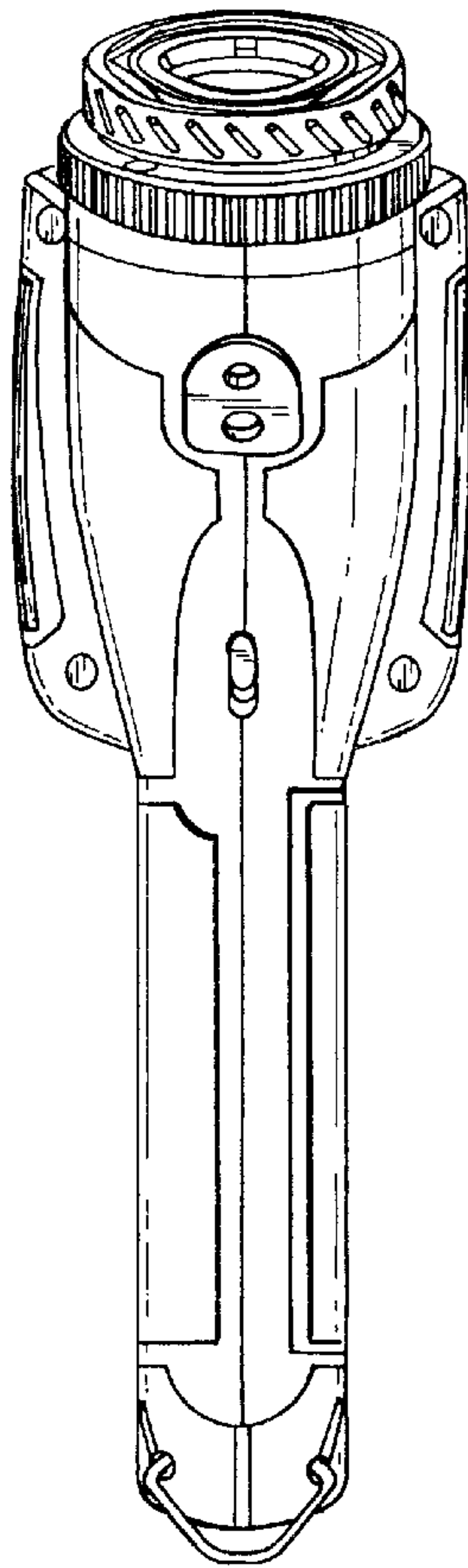


FIG. 3

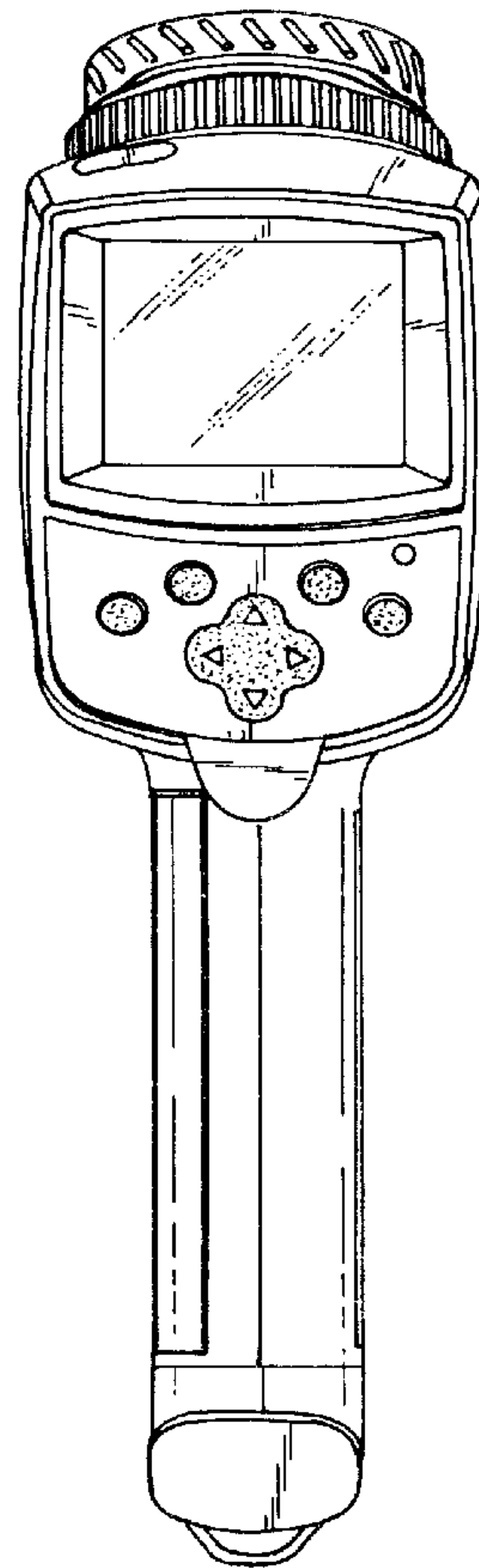


FIG. 4

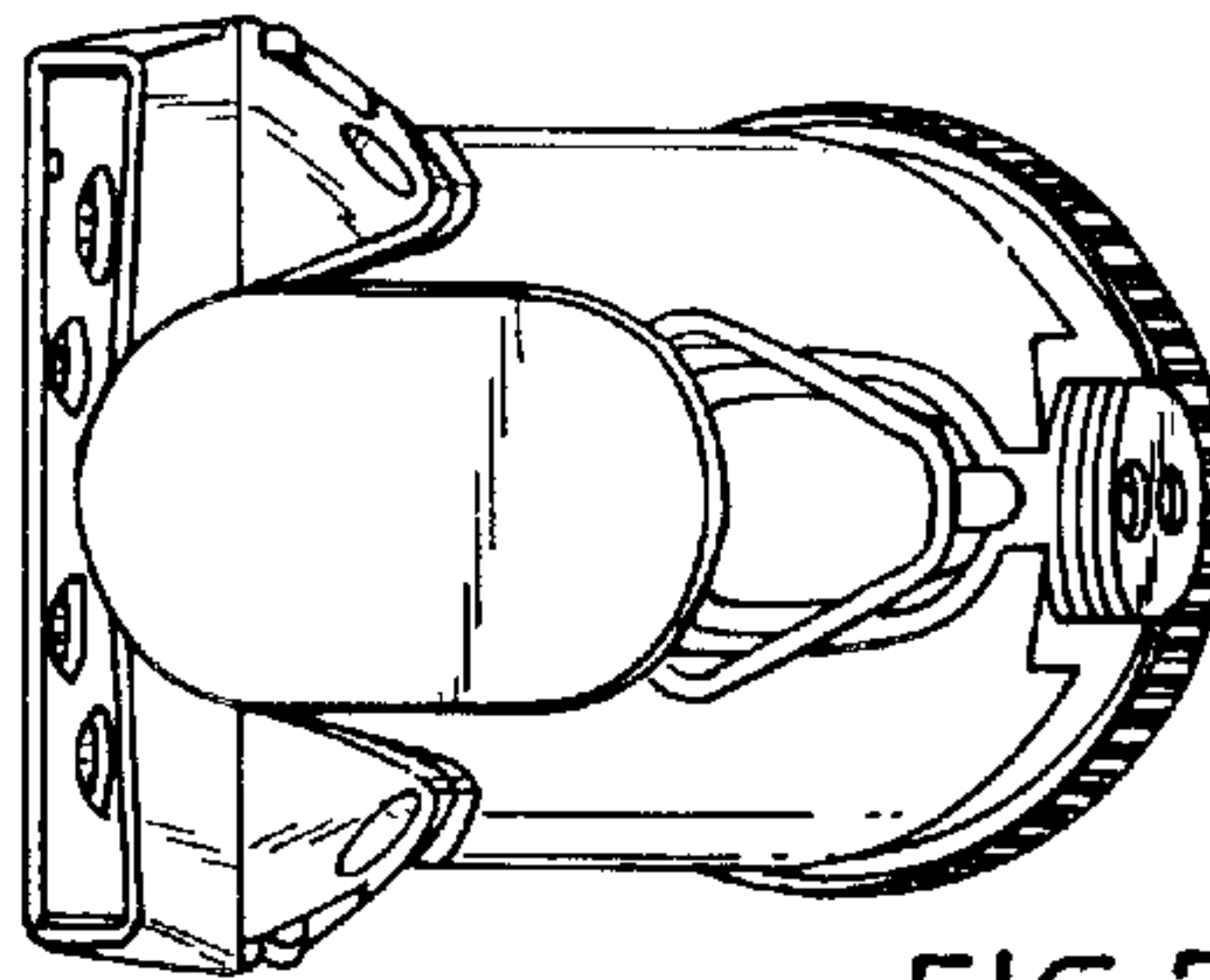


FIG. 7

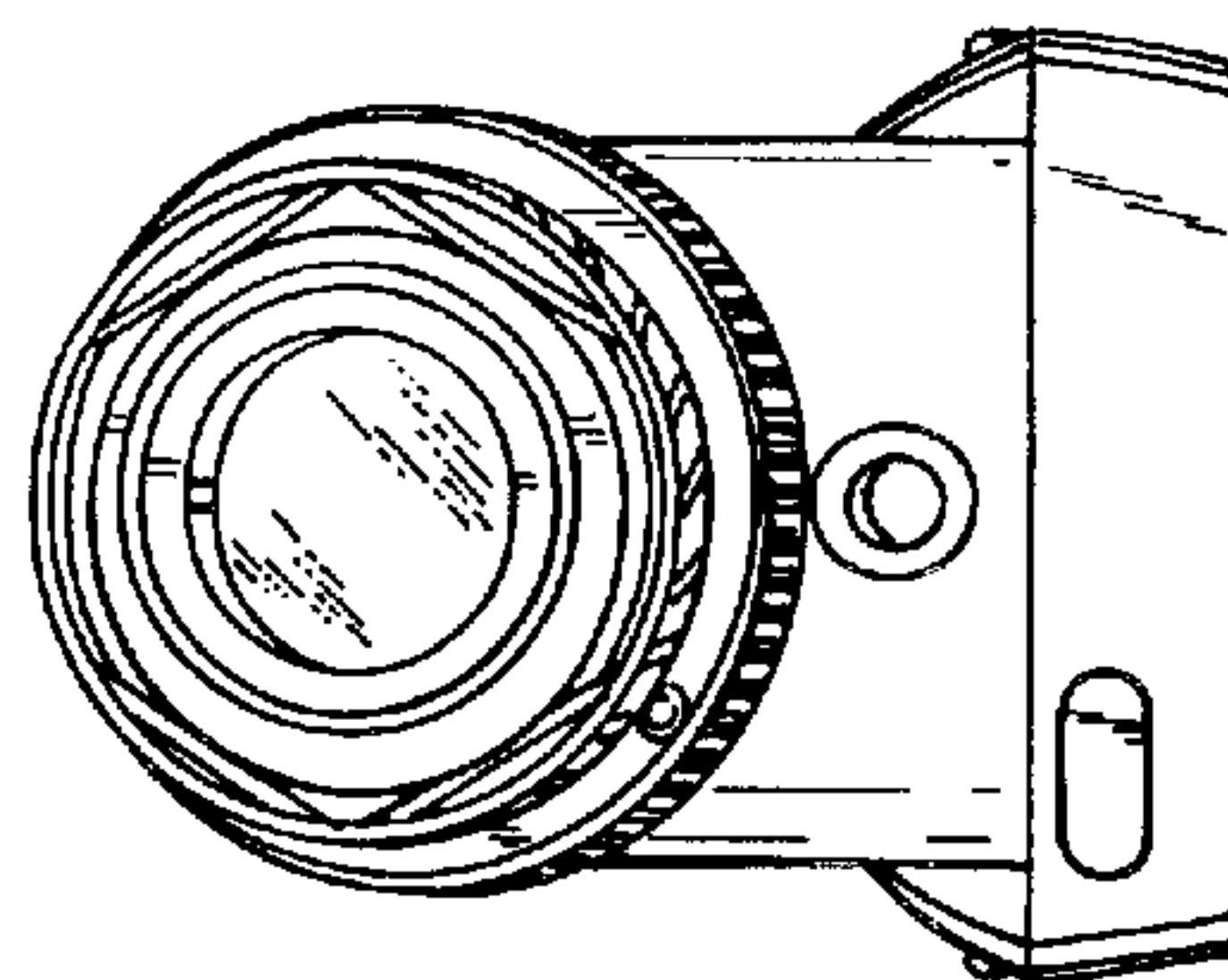


FIG. 8

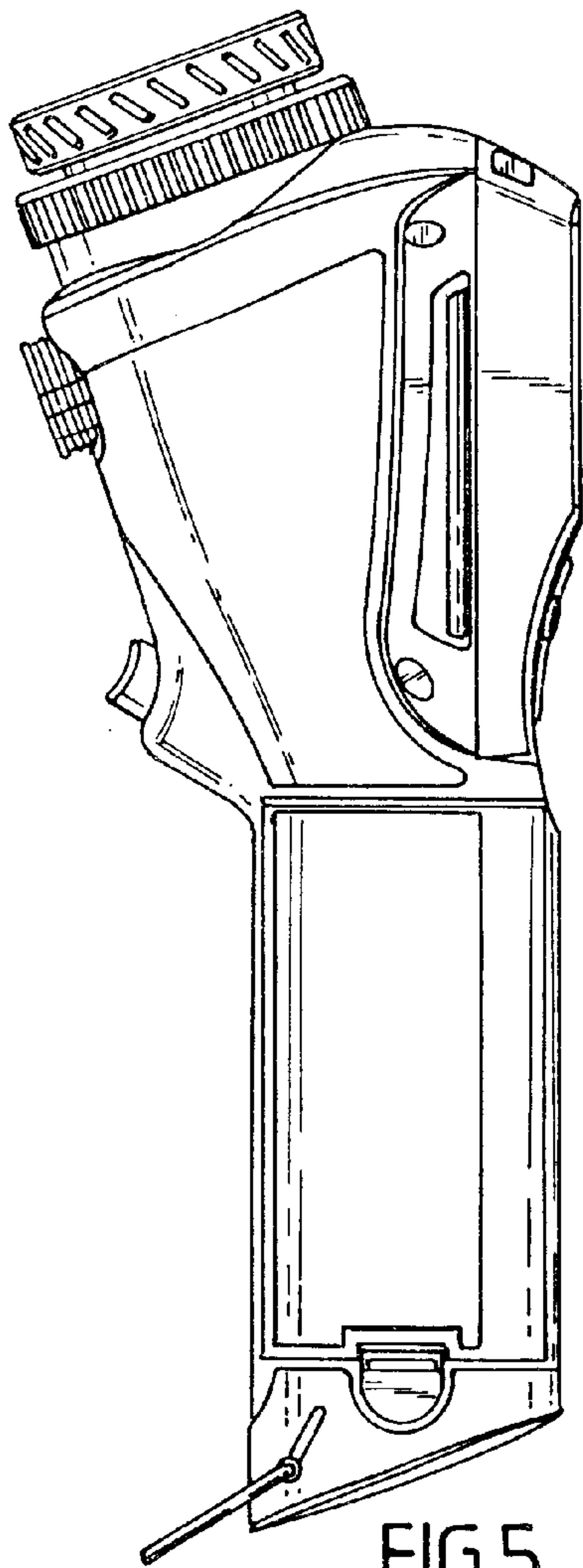


FIG. 5

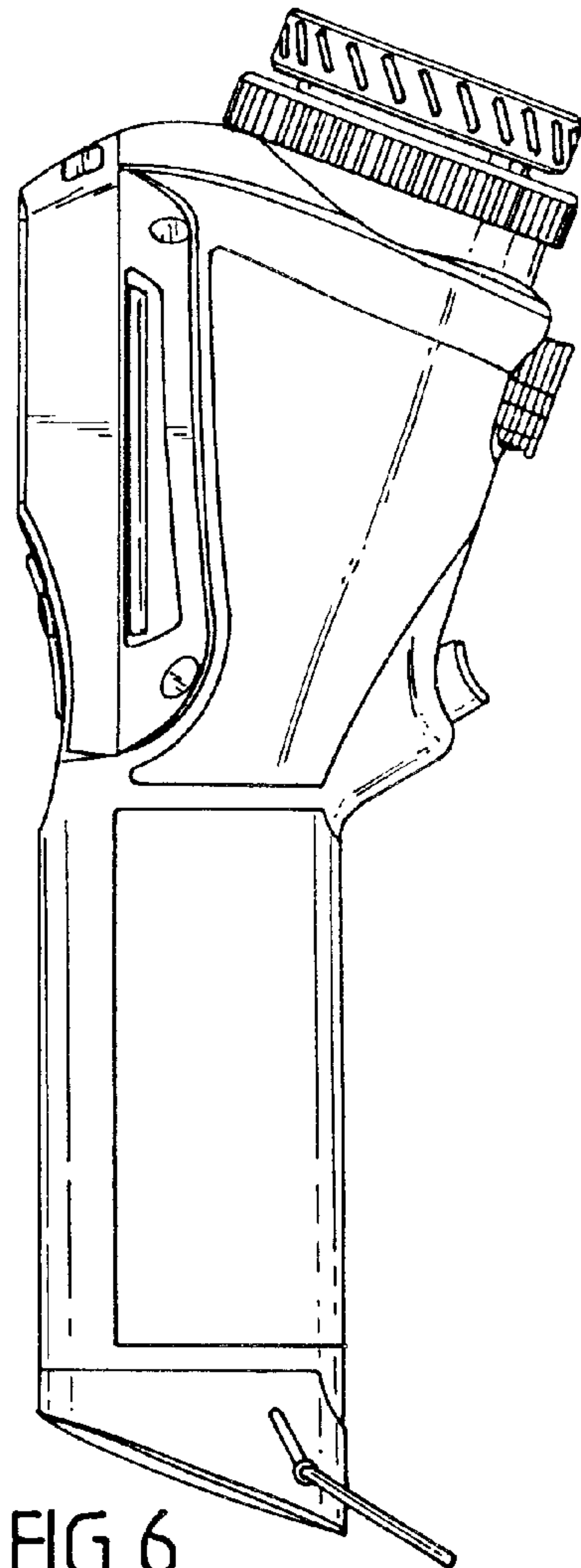


FIG. 6