



US00D466538S

(12) **United States Design Patent**
Layton

(10) **Patent No.:** **US D466,538 S**

(45) **Date of Patent:** **** Dec. 3, 2002**

(54) **VIEW CAMERA**

4,602,860 A 5/1994 Hoffman 396/150

(76) Inventor: **John Layton**, 1463 Union Village Rd.,
Norwich, VT (US) 05055

* cited by examiner

(**) Term: **14 Years**

Primary Examiner—Adir Aronovich

(21) Appl. No.: **29/146,079**

(74) *Attorney, Agent, or Firm*—Kirkpatrick & Lockhart
LLP

(22) Filed: **Aug. 2, 2001**

(57) **CLAIM**

(51) **LOC (7) Cl.** **16-01**

The ornamental design for a view camera, as shown and described.

(52) **U.S. Cl.** **D16/200**

DESCRIPTION

(58) **Field of Search** D16/200, 201,
D16/204, 208, 218; 396/150, 342, 437,
535, 537-541

FIG. 1 is a perspective view of a view camera embodying the new design.

(56) **References Cited**

U.S. PATENT DOCUMENTS

275,073 A *	4/1883	Pearsall	396/437
762,164 A *	6/1904	Gundermann	396/437
767,968 A *	8/1904	Schell	396/150
2,124,468 A *	7/1938	Parlini	396/150
4,497,554 A	2/1985	Hoffman	396/150
4,602,860 A	7/1986	Hoffman	396/150
4,814,803 A *	3/1989	Wisner	396/342

FIG. 2 is a front elevational view of the camera of FIG. 1.

FIG. 3 is a rear elevational view of the camera of FIG. 1.

FIG. 4 is an elevational view of one side of the camera of FIG. 1.

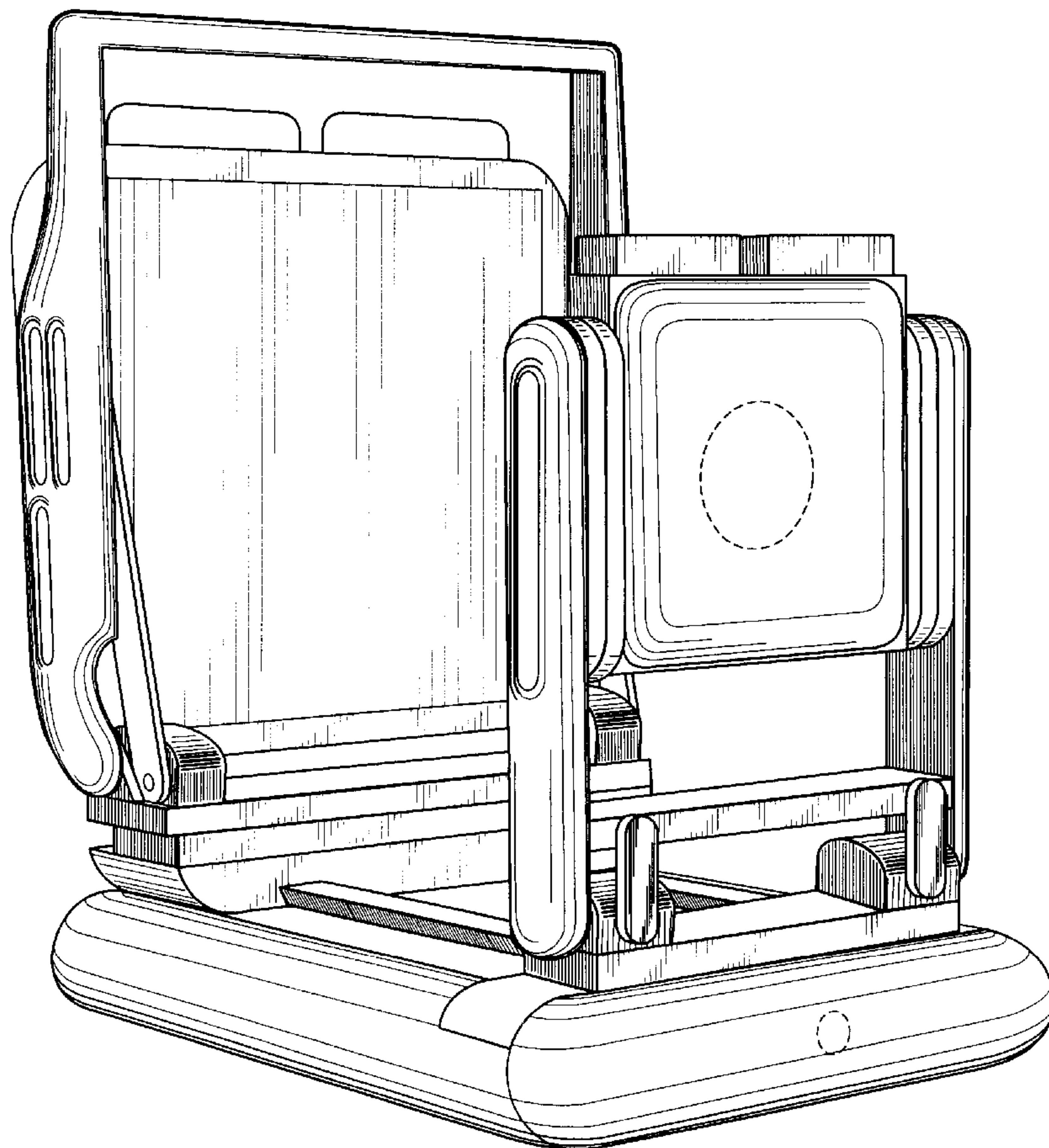
FIG. 5 is an elevational view of the other side of the camera of FIG. 1.

FIG. 6 is a top plan view of the camera of FIG. 1; and,

FIG. 7 is a bottom plan view of the camera of FIG. 1.

The broken lines shown in the drawings are to illustrate environment only and form no part of the claimed design.

1 Claim, 7 Drawing Sheets



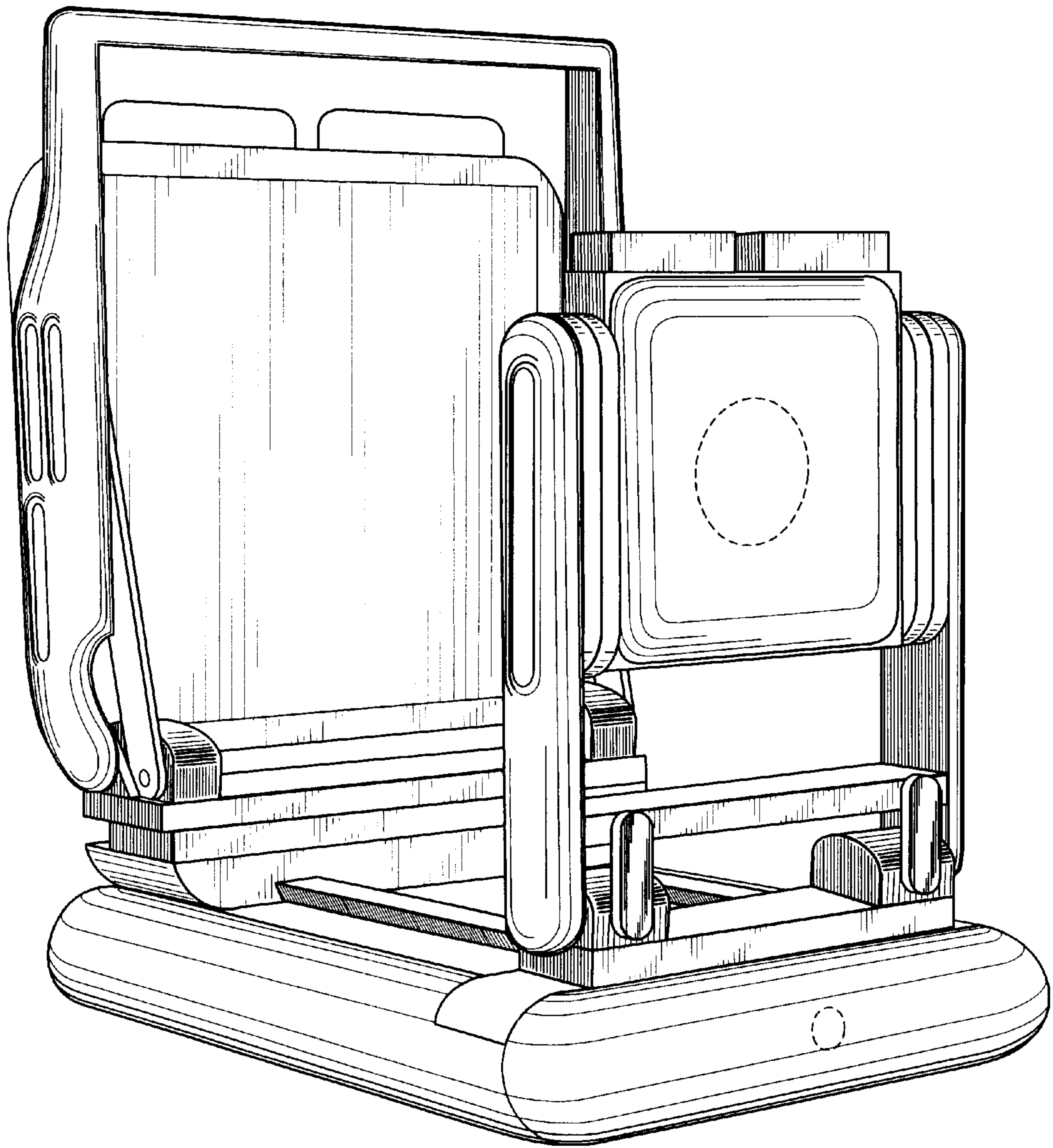


Fig. 1

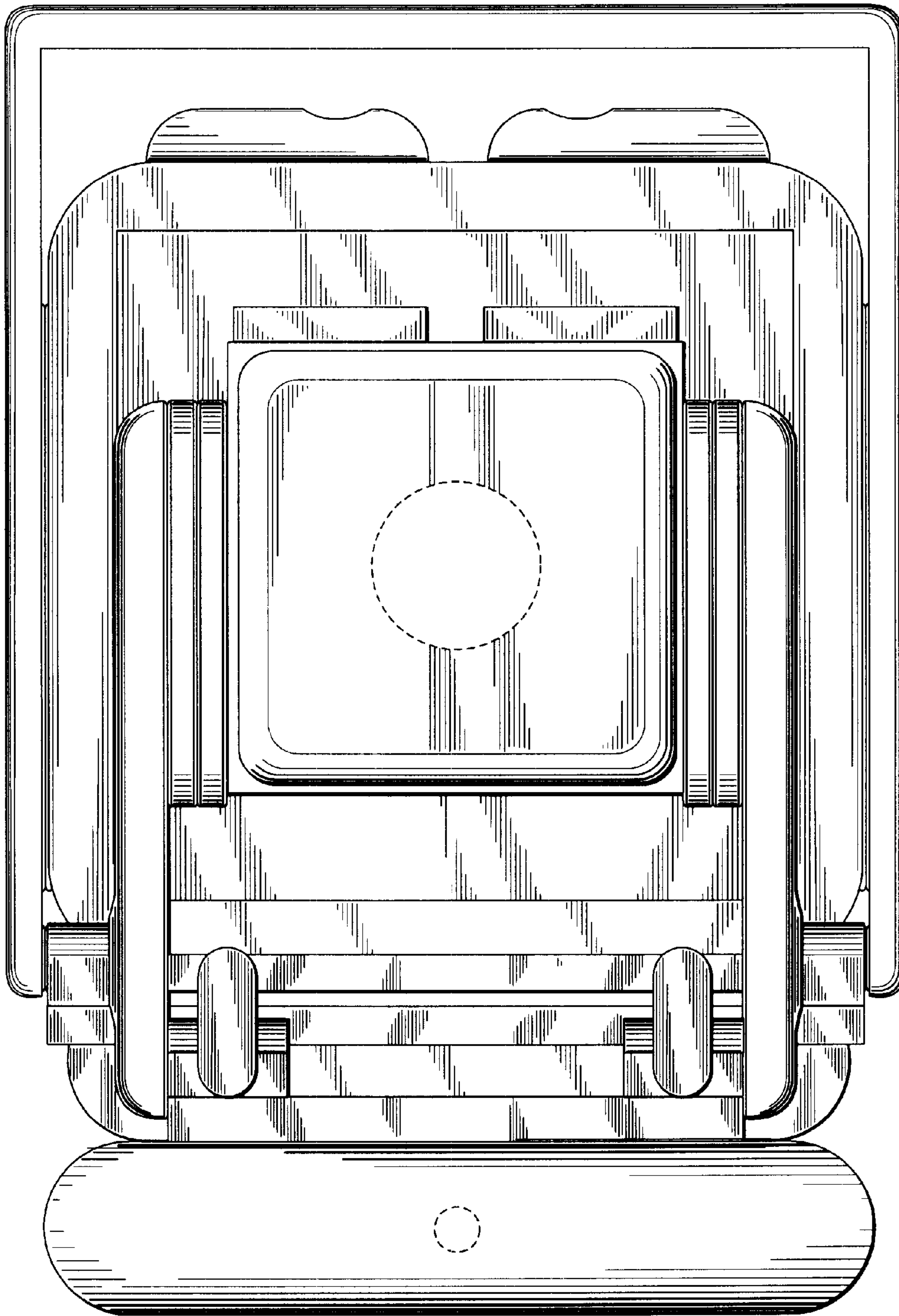


Fig. 2

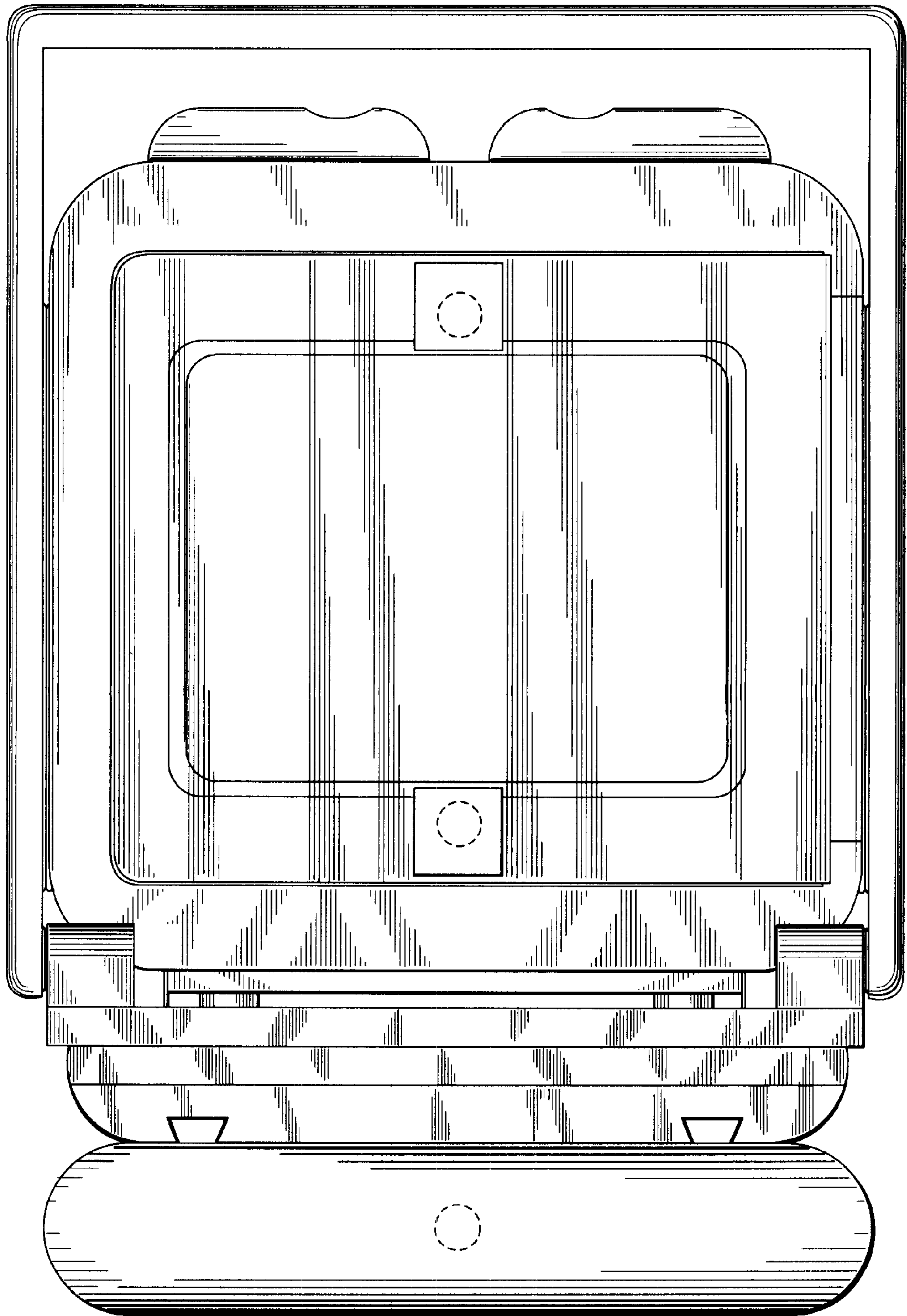


Fig. 3

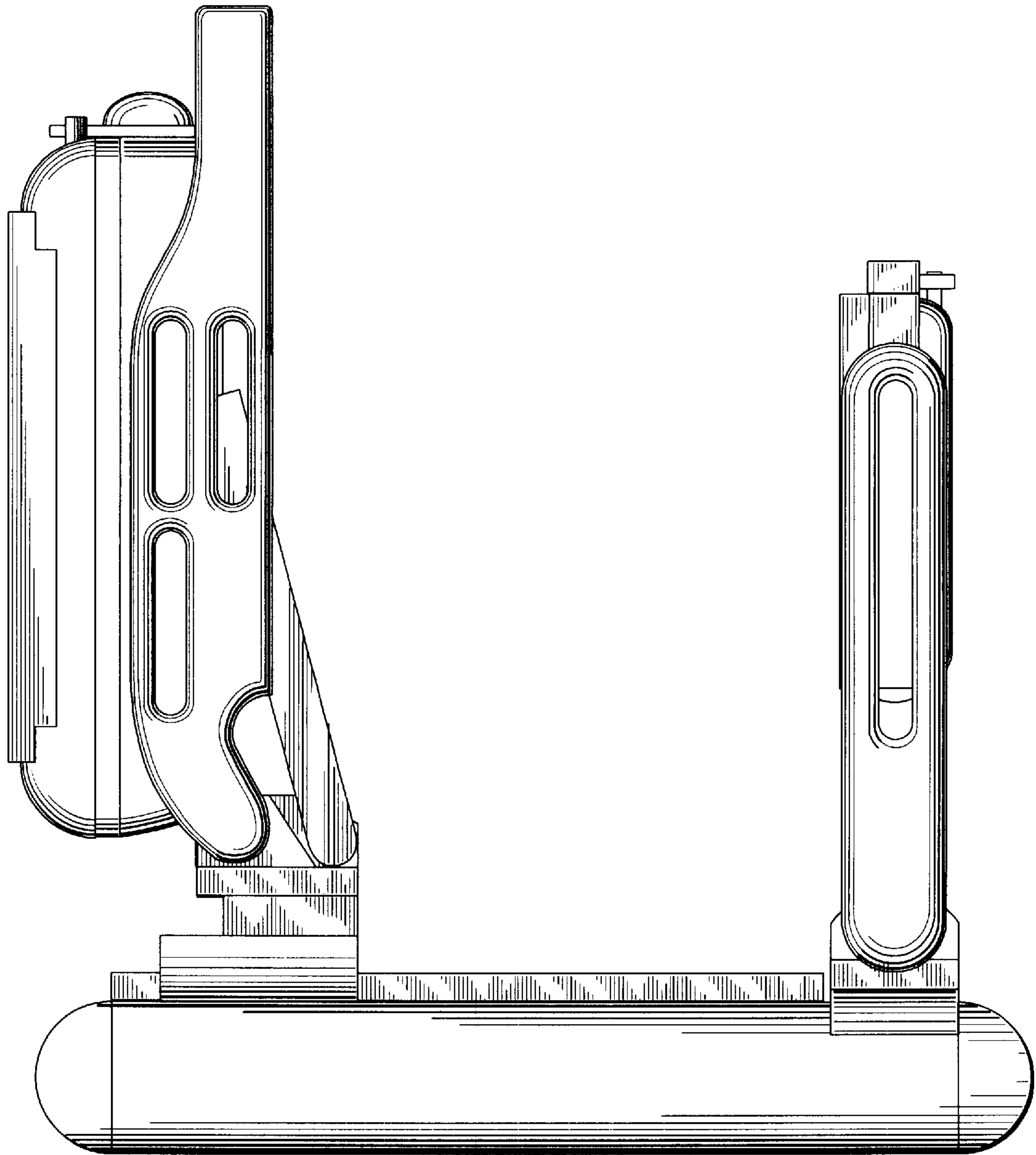


Fig. 4

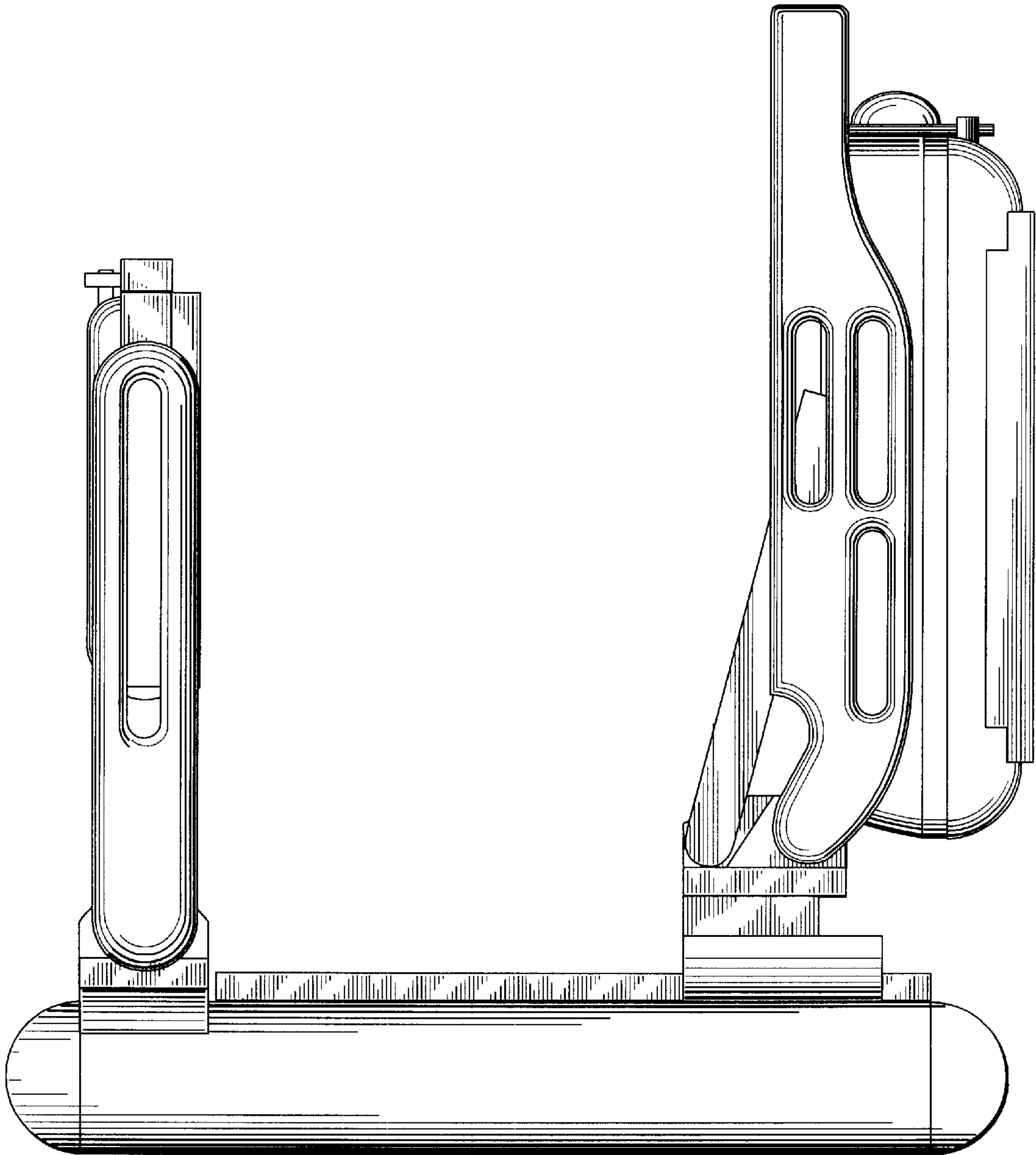


Fig. 5

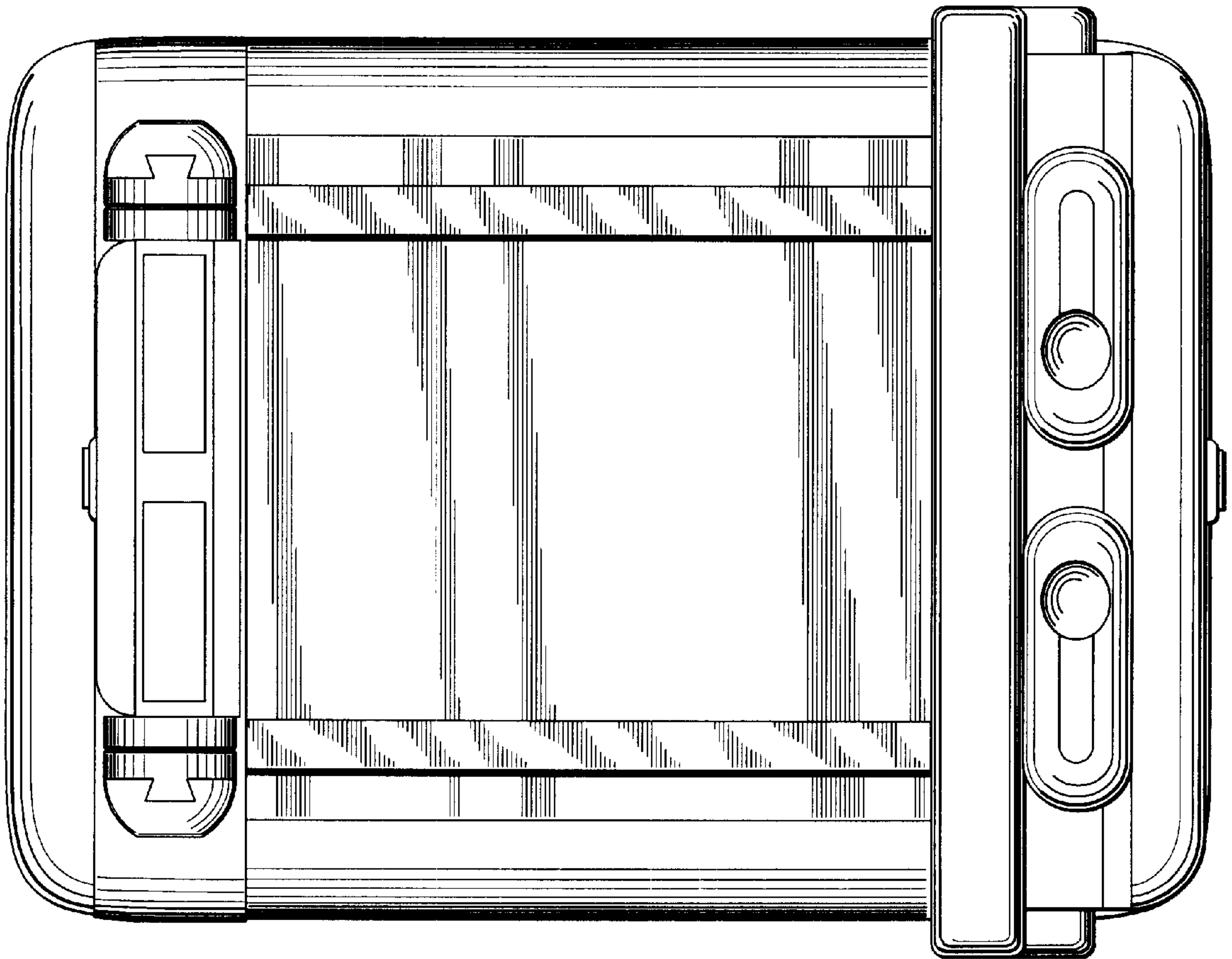


Fig. 6

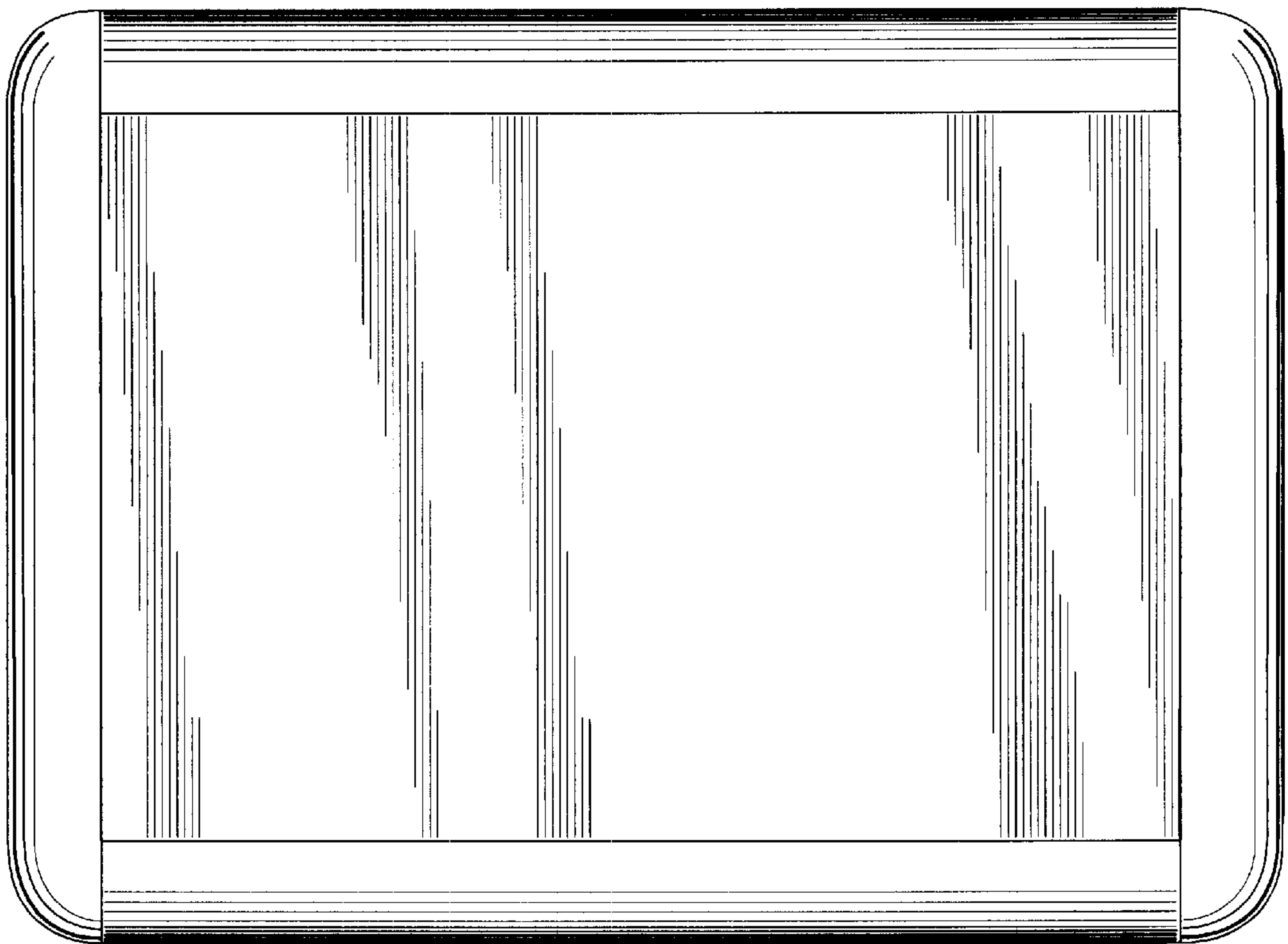


Fig. 7