

US00D466537S

(12) **United States Design Patent**  
**Hansson et al.**

(10) **Patent No.:** **US D466,537 S**

(45) **Date of Patent:** **\*\* Dec. 3, 2002**

(54) **CUTTING INSERT FOR CHIP FORMING MACHINING**

5,676,495 A \* 10/1997 Kathi et al. .... 407/114  
6,000,885 A 12/1999 Erikson  
6,238,147 B1 \* 5/2001 Tagtsrom et al. .... 407/117

(75) Inventors: **Per Hansson**, Gävle (SE); **Claes Andersson**, Valbo (SE)

\* cited by examiner

(73) Assignee: **Sandvik AB**, Sandviken (SE)

*Primary Examiner*—Antoine Duval Davis  
(74) *Attorney, Agent, or Firm*—Burns Doane Swecker & Mathis L.L.P.

(\*\*) Term: **14 Years**

(21) Appl. No.: **29/141,647**

(22) Filed: **May 11, 2001**

(57) **CLAIM**

The ornamental design for a cutting insert for chip forming machining, as shown and described.

**Related U.S. Application Data**

**DESCRIPTION**

(62) Division of application No. 29/128,789, filed on Aug. 31, 2000, now Pat. No. Des. 442,195, and a division of application No. 29/128,793, filed on Aug. 31, 2000, now Pat. No. Des. 442,196.

FIG. 1 is a front end, top perspective view of a cutting insert for chip forming machining showing our new design; FIG. 2 is a top plan view thereof; FIG. 3 is a bottom plan view thereof; FIG. 4 is a side elevational thereof; FIG. 5 is a side elevational view of the other side thereof; FIG. 6 is a front end elevational view thereof; FIG. 7 is a rear end view thereof; FIG. 8 is a front end, top perspective view of a cutting insert for chip forming machining showing a second embodiment of our new design; FIG. 9 is a top plan view thereof; FIG. 10 is a bottom plan view thereof; FIG. 11 is a side elevational view thereof; FIG. 12 is a side elevational view of the other side thereof; FIG. 13 is a front end elevational view thereof; and, FIG. 14 is a rear end view thereof.

(30) **Foreign Application Priority Data**

Mar. 2, 2000 (SE) ..... 00-0425  
Mar. 2, 2000 (SE) ..... 00-0427

(51) **LOC (7) Cl.** ..... **15-09**

(52) **U.S. Cl.** ..... **D15/139**

(58) **Field of Search** ..... D15/139; 407/116, 407/117

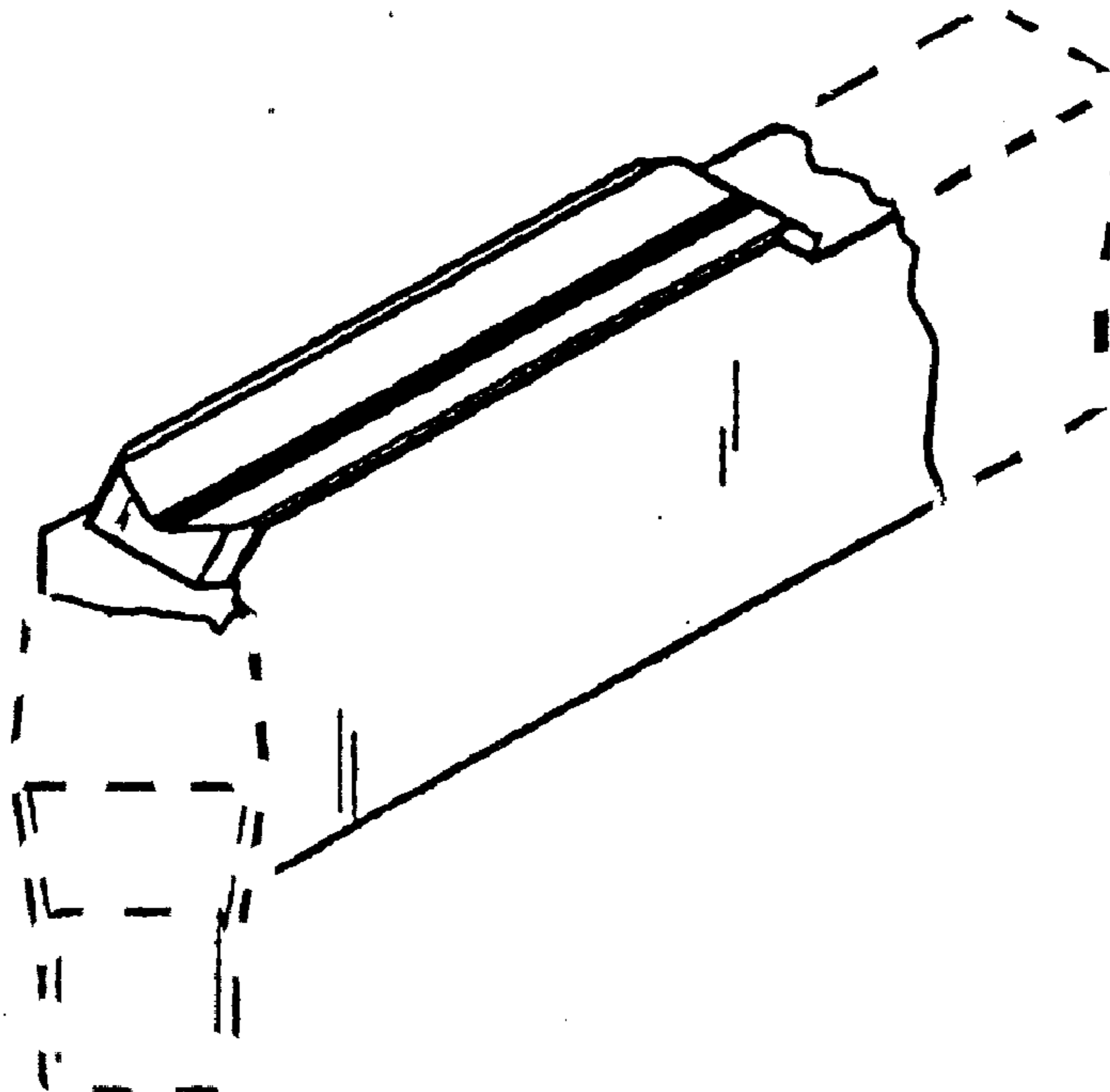
The broken line showing in the figures is for illustrative purposes only and forms no part of the claimed design.

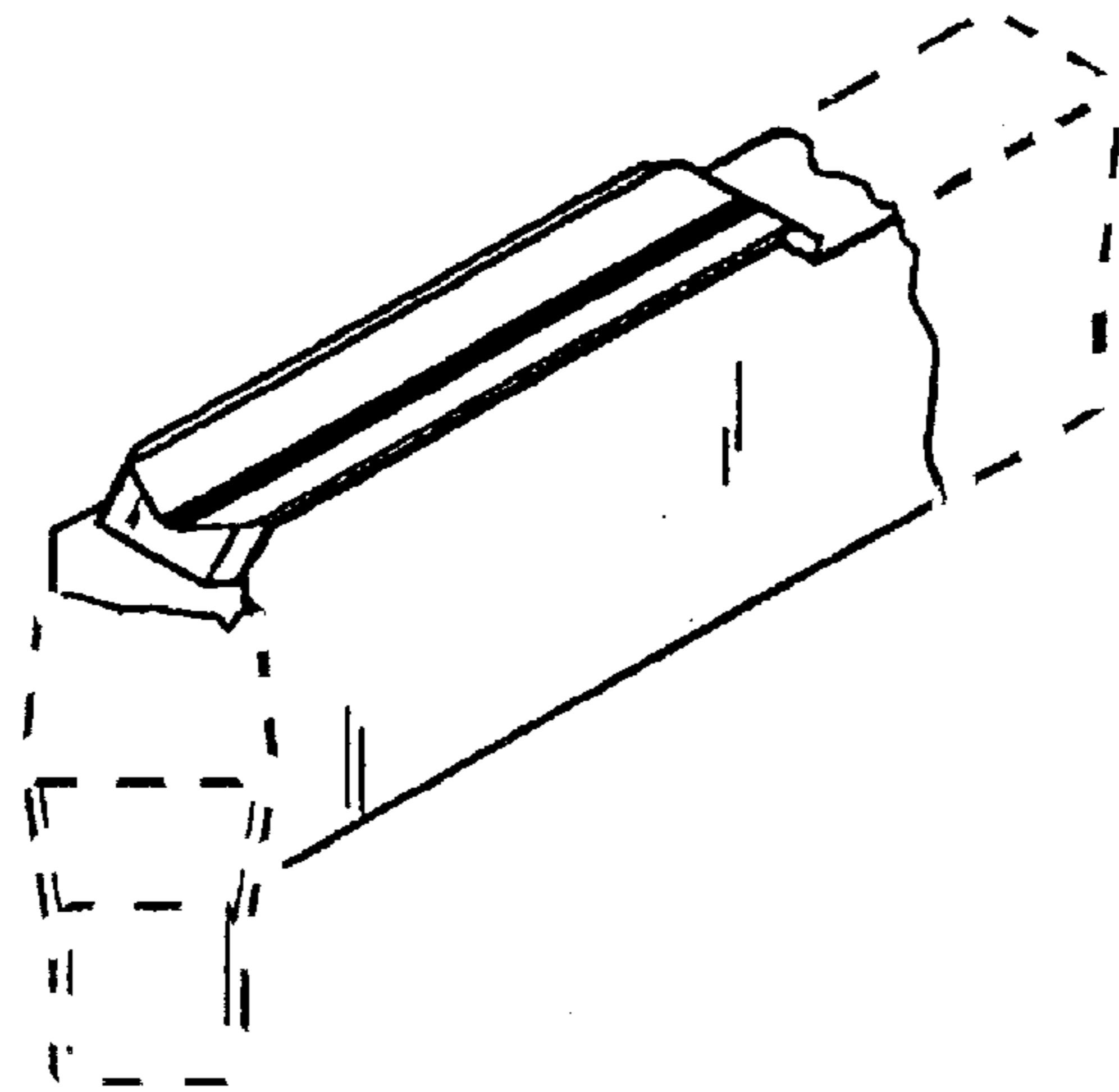
(56) **References Cited**

**U.S. PATENT DOCUMENTS**

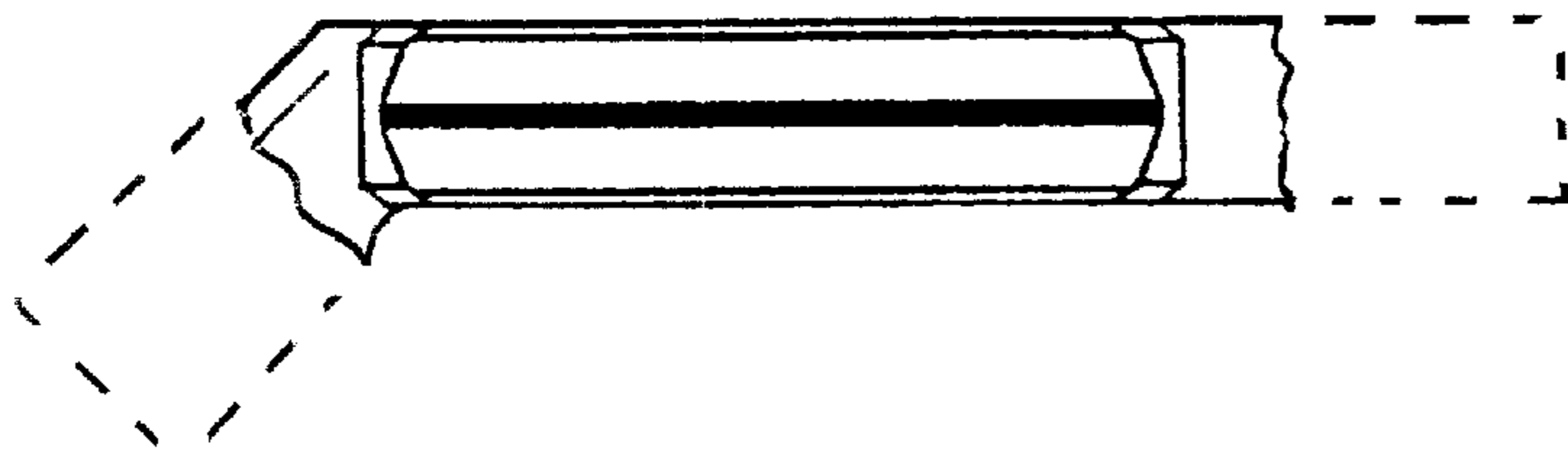
3,894,322 A 7/1975 Pano  
D271,497 S 11/1983 Green  
5,004,379 A 4/1991 Little  
5,382,119 A 1/1995 Mihic

**1 Claim, 4 Drawing Sheets**

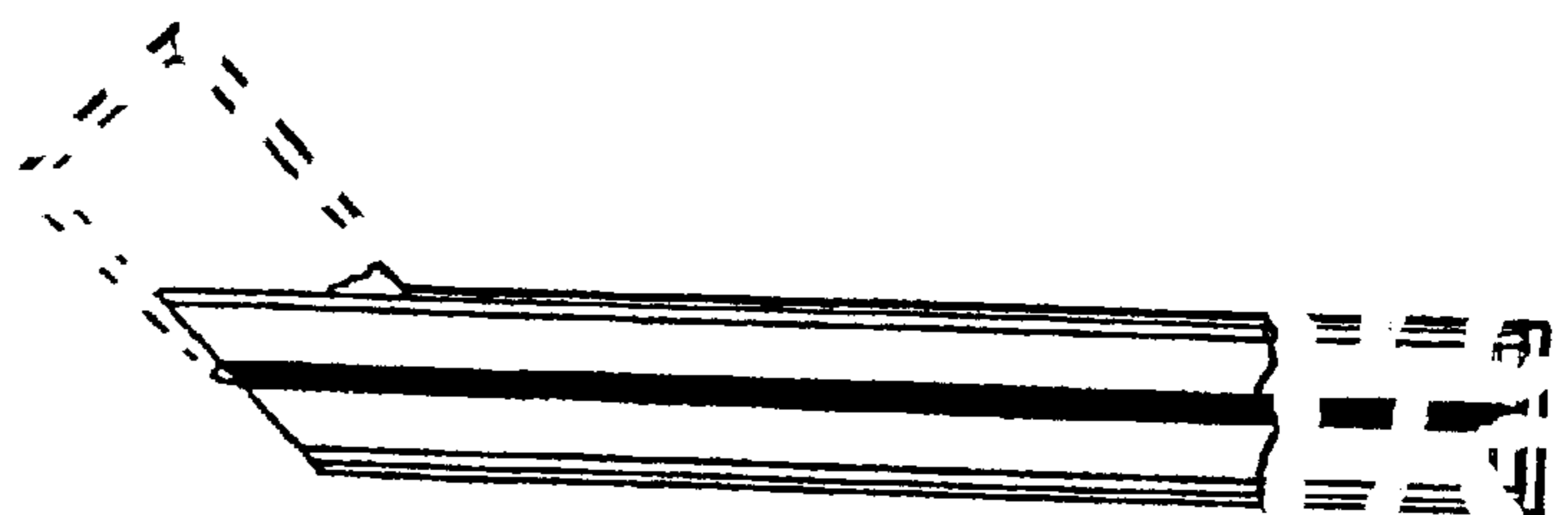




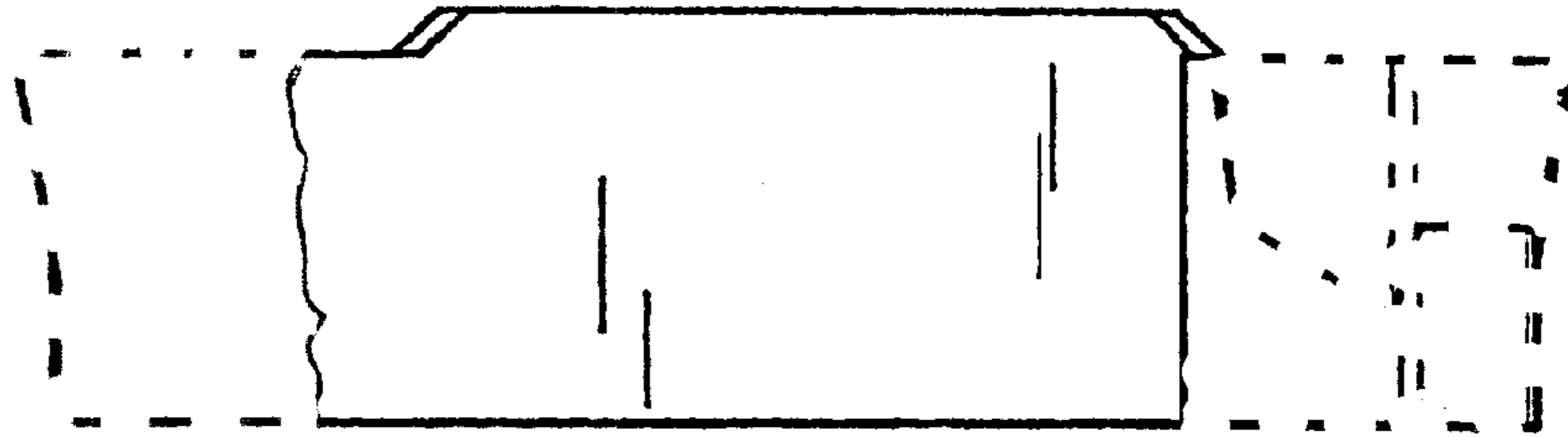
*FIG. 1*



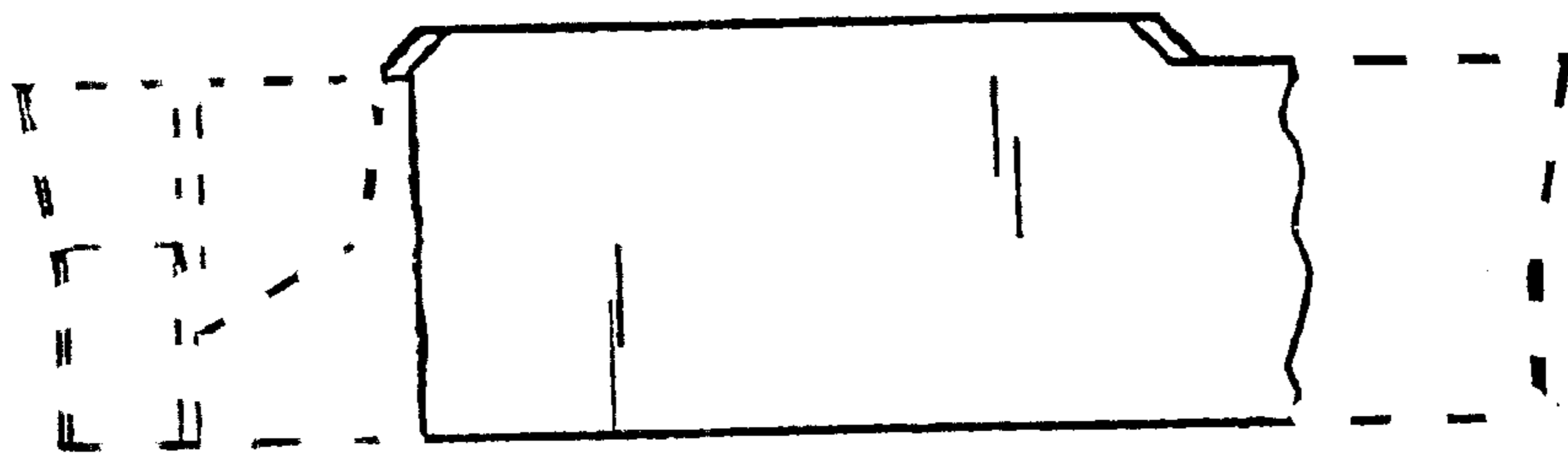
*FIG. 2*



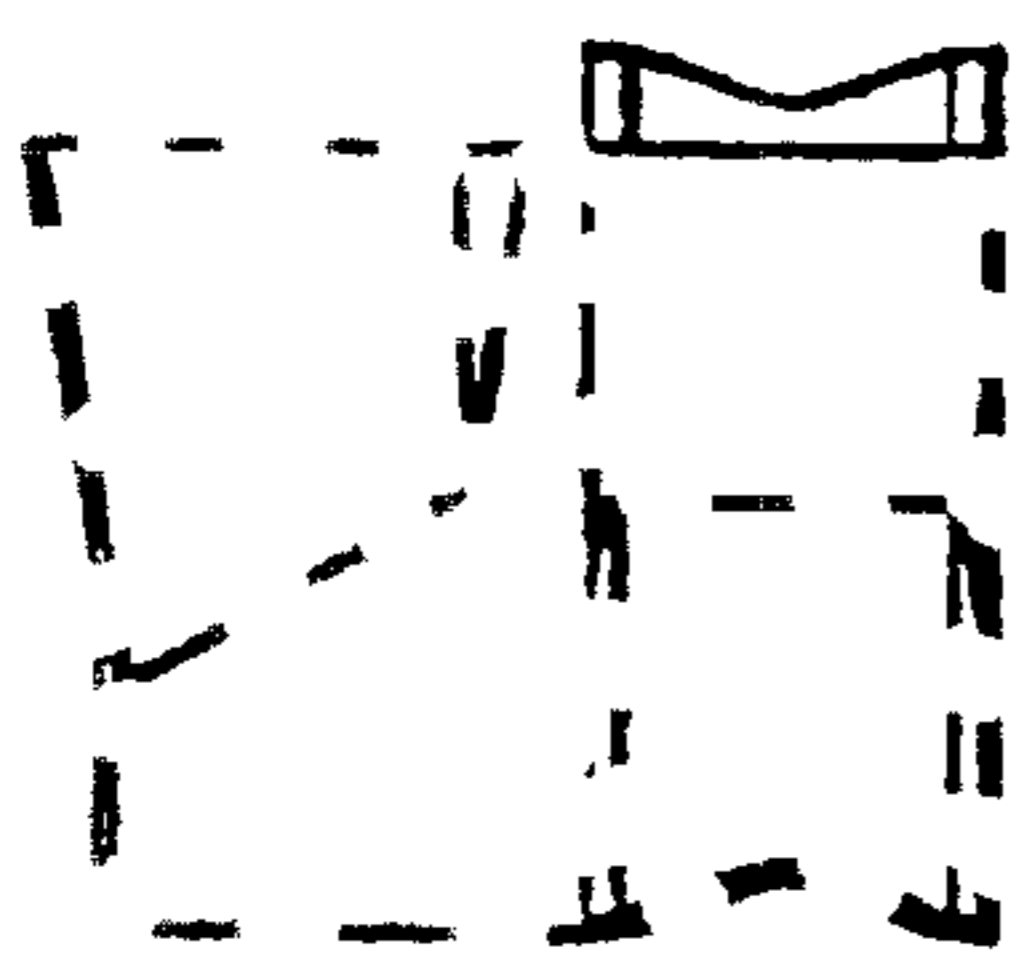
*FIG. 3*



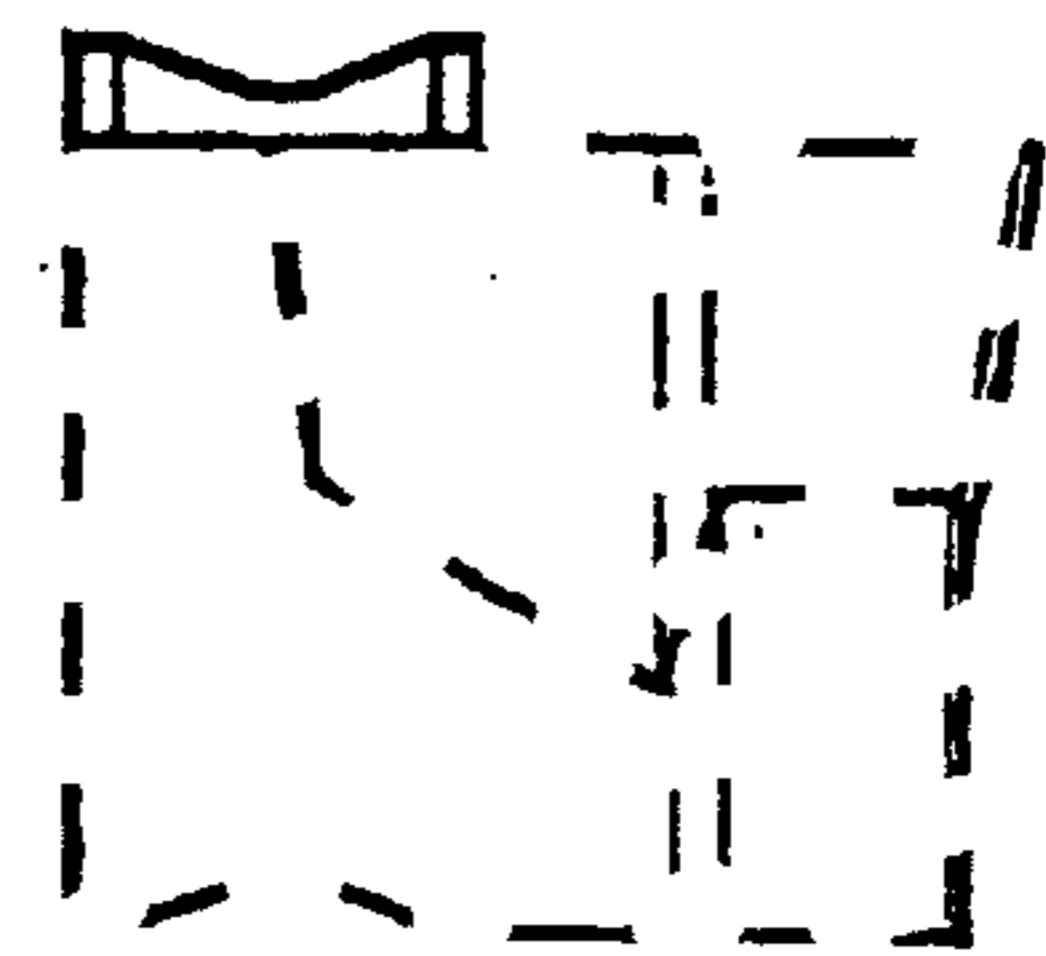
**FIG. 4**



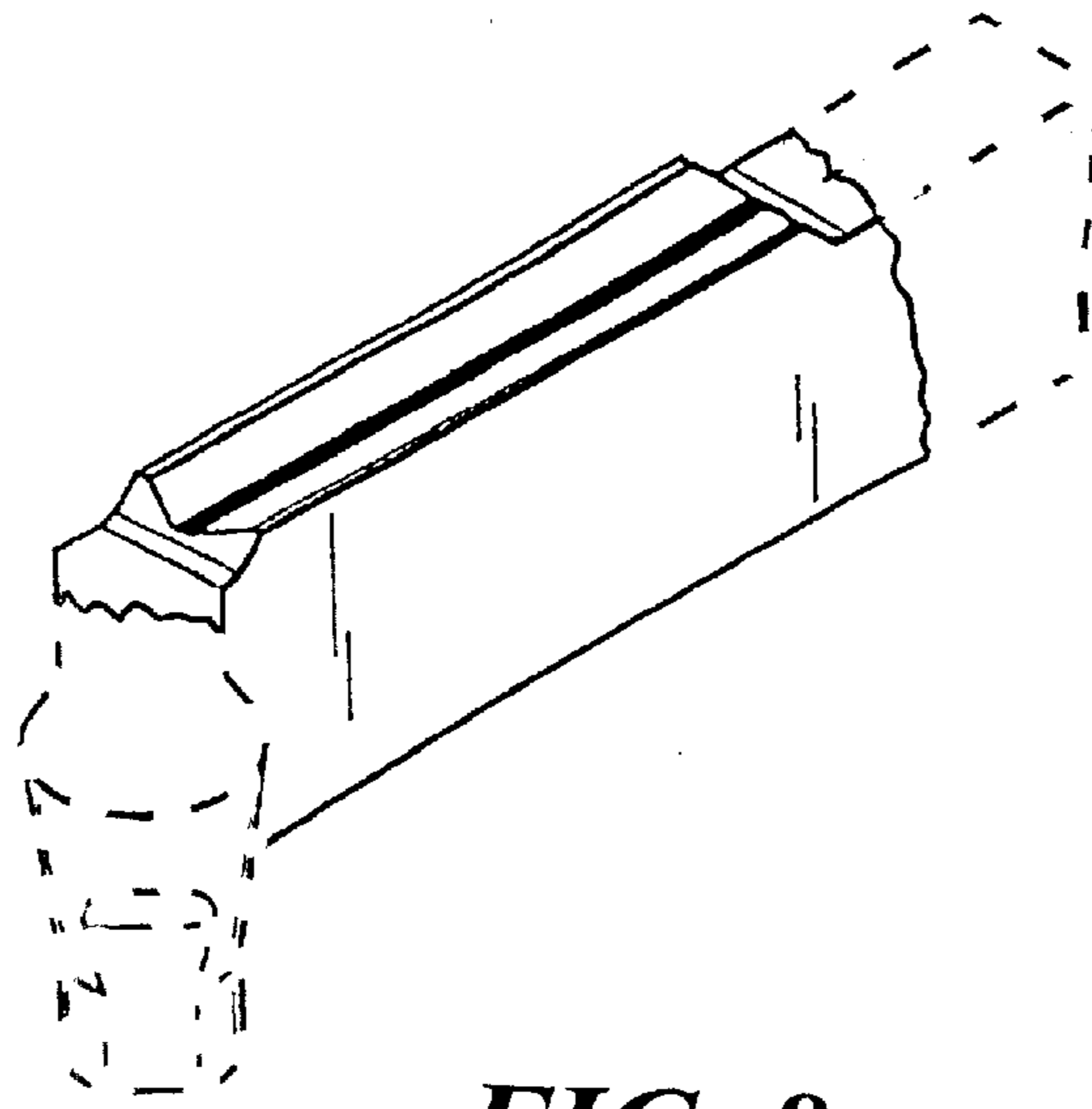
**FIG. 5**



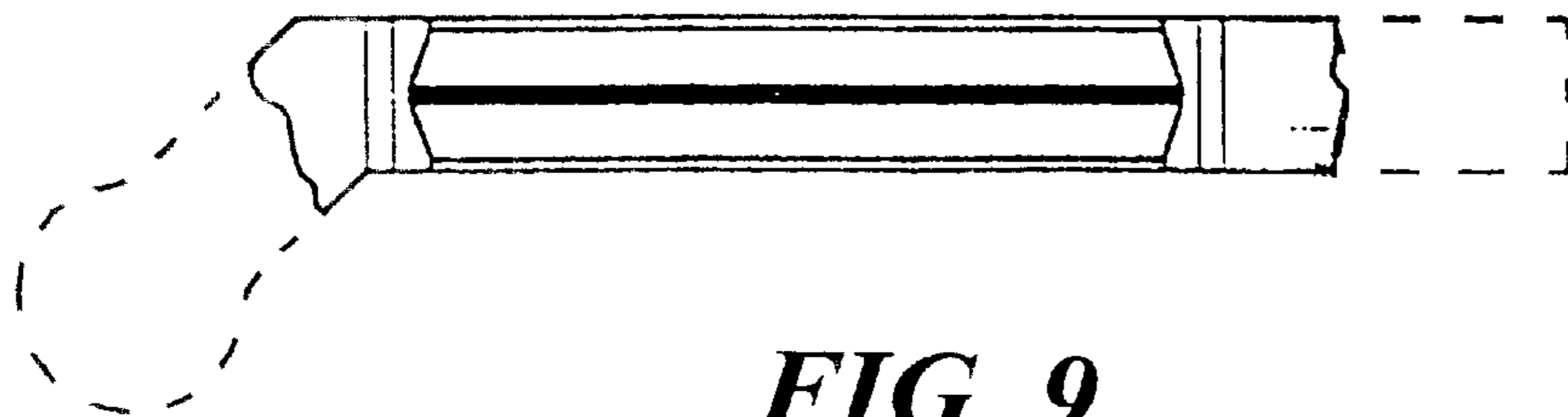
**FIG. 6**



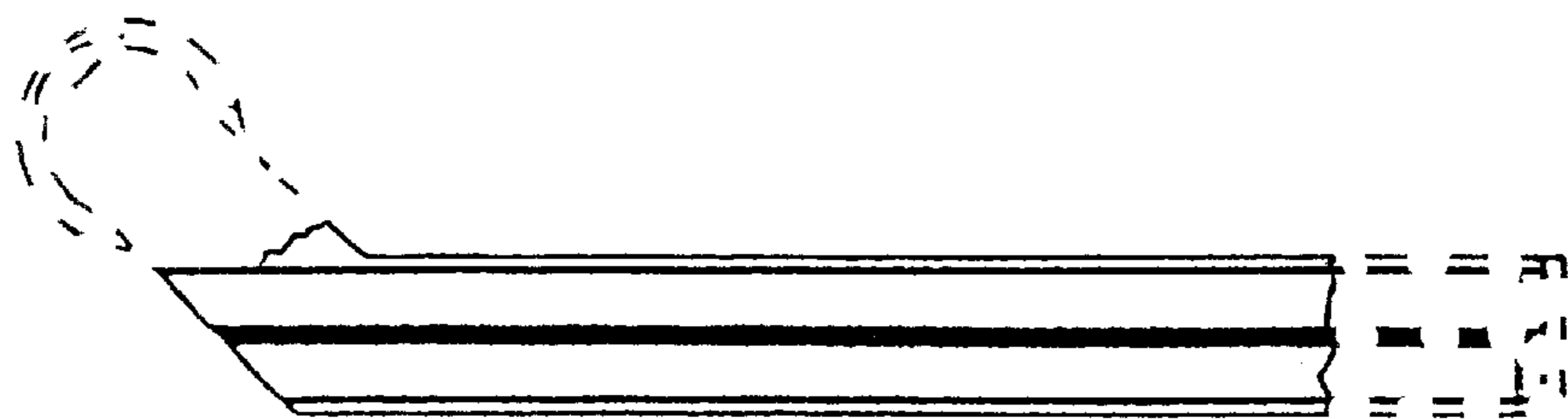
**FIG. 7**



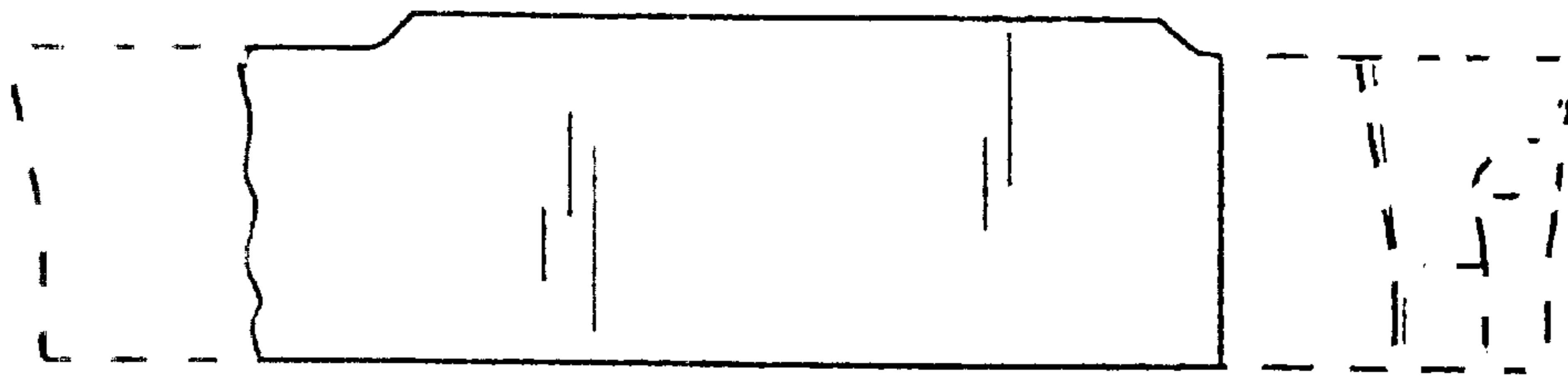
**FIG. 8**



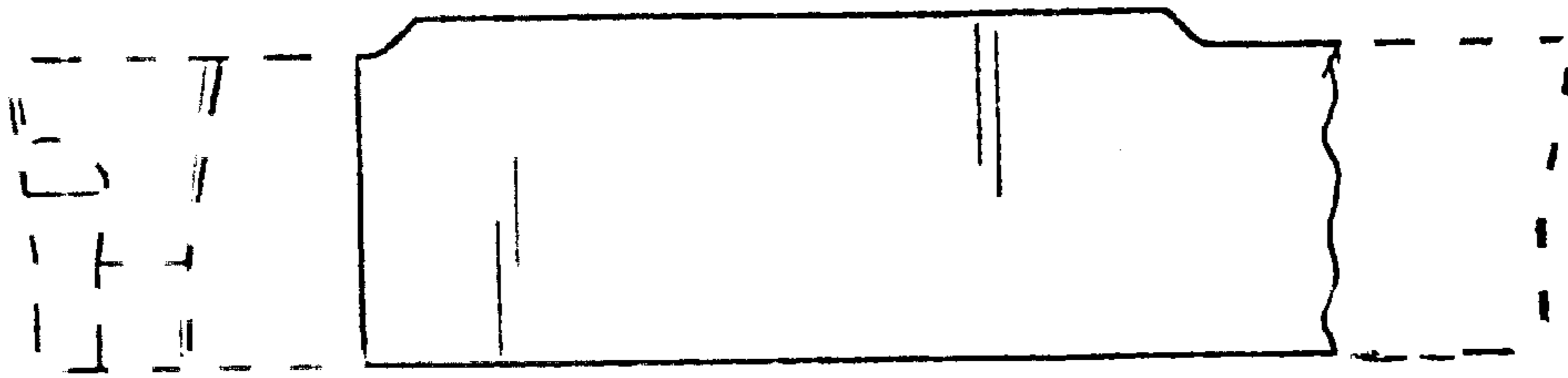
**FIG. 9**



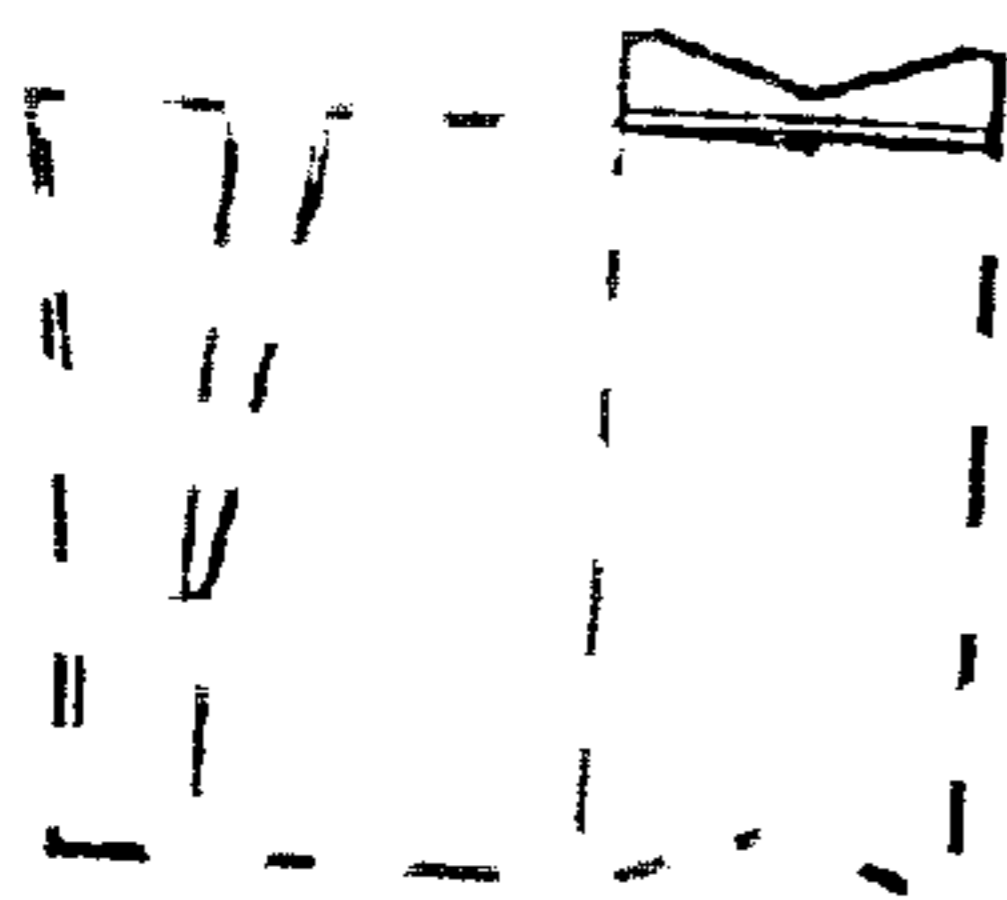
**FIG. 10**



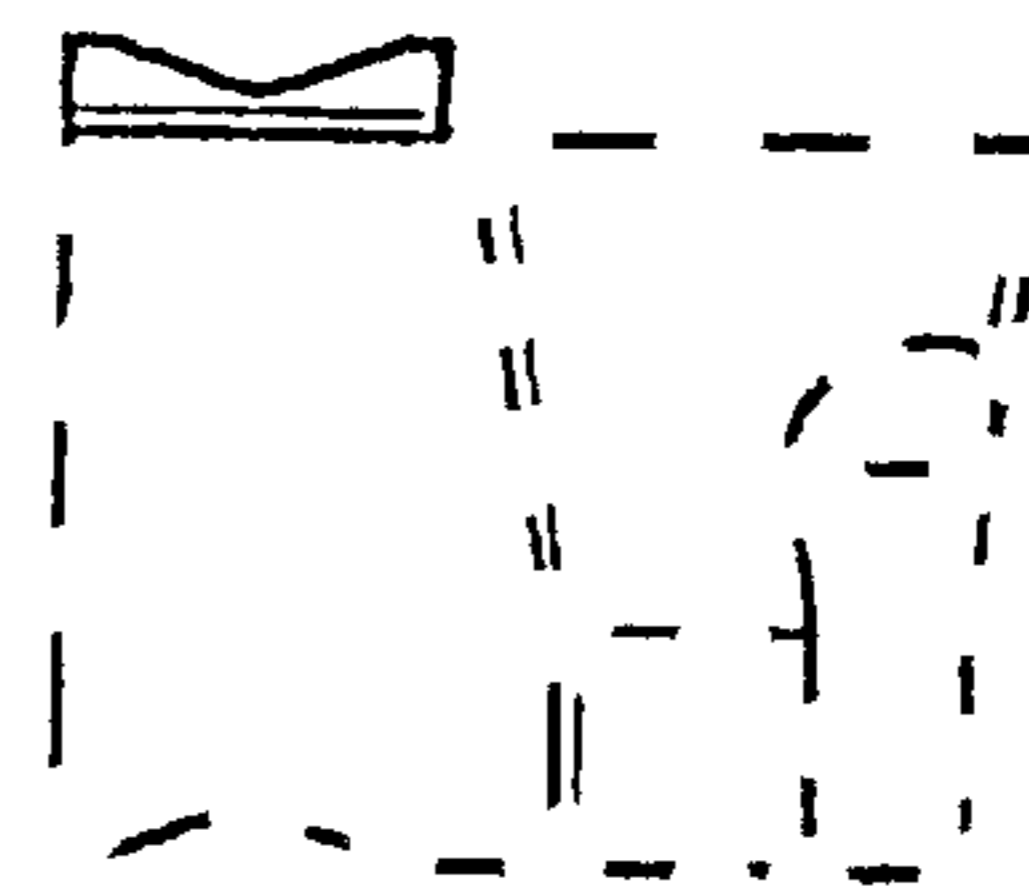
**FIG. 11**



**FIG. 12**



**FIG. 13**



**FIG. 14**