



US00D466536S

(12) **United States Design Patent**
Piliguian

(10) **Patent No.:** **US D466,536 S**

(45) **Date of Patent:** **** Dec. 3, 2002**

(54) **HOOD FOR A POLISHING, GRINDING,
BUFFING AND FINISHING MACHINE**

(75) **Inventor:** **Raffi Piliguian**, Montebello, CA (US)

(73) **Assignee:** **Dep Enterprise and Development,
Inc.**, Commerce, CA (US)

(**) **Term:** **14 Years**

(21) **Appl. No.:** **29/154,008**

(22) **Filed:** **Jan. 16, 2002**

(51) **LOC (7) Cl.** **15-09**

(52) **U.S. Cl.** **D15/126**

(58) **Field of Search** D15/124-126;
451/451-455

(56) **References Cited**

U.S. PATENT DOCUMENTS

5,411,433 A * 5/1995 Keller 451/451

* cited by examiner

Primary Examiner—Antoine Duval Davis
(74) *Attorney, Agent, or Firm*—Don Finkelstein

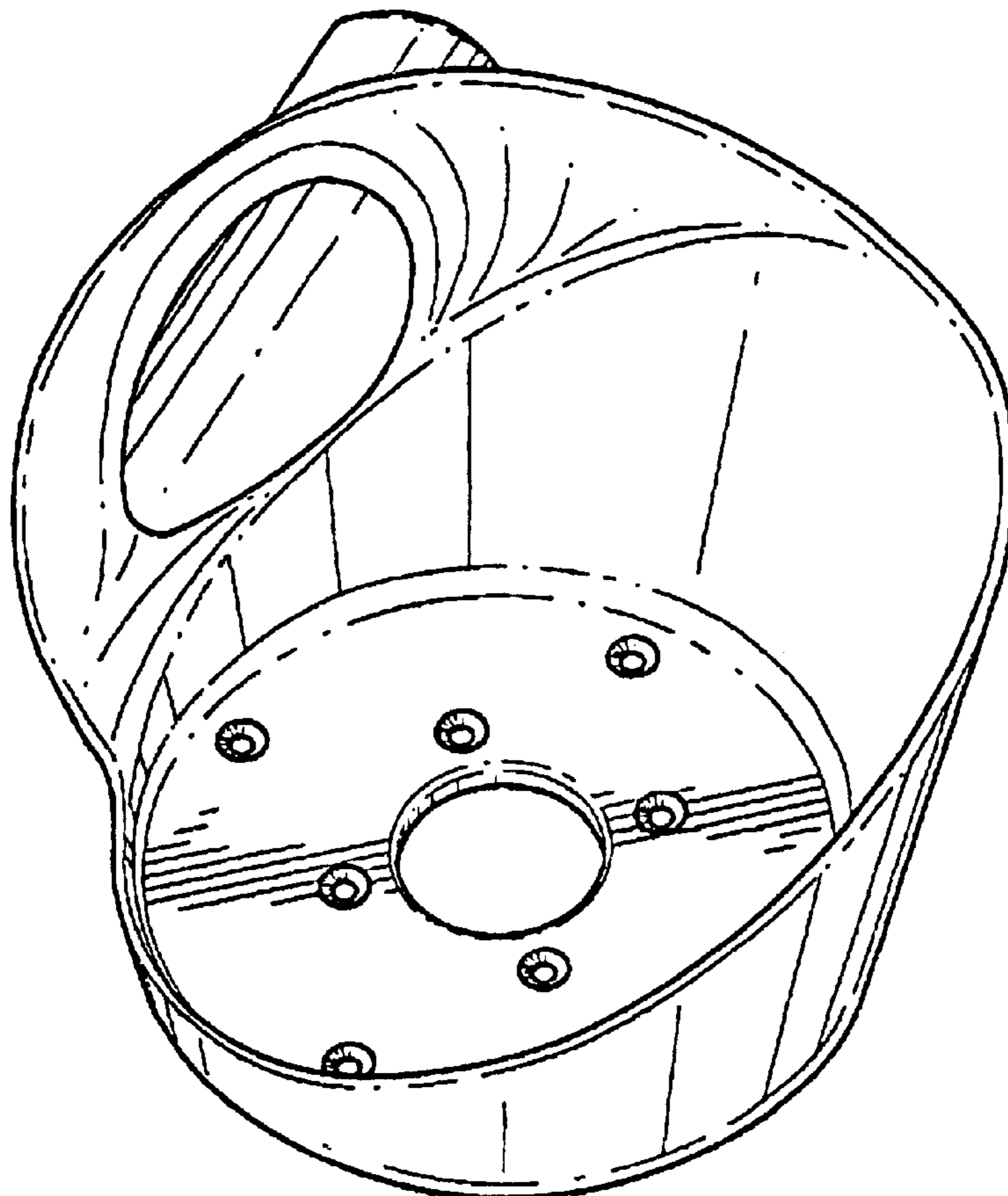
(57) **CLAIM**

The ornamental design for a hood for a polishing, grinding, buffing and finishing machine, as shown and described.

DESCRIPTION

FIG. 1 is a perspective view of my hood for a polishing, grinding, buffing and finishing machine;
FIG. 2 is a top plan view thereof;
FIG. 3 is a bottom plan view thereof;
FIG. 4 is a left side elevational view thereof;
FIG. 5 is a right side elevational view thereof;
FIG. 6 is a front elevational view thereof;
FIG. 7 is a back elevational view thereof;
FIG. 8 is a perspective view of another embodiment of my hood for a polishing, grinding, buffing and finishing machine;
FIG. 9 is a top plan view thereof;
FIG. 10 is a bottom plan view thereof;
FIG. 11 is a left side elevational view thereof;
FIG. 12 is a right side elevational view thereof;
FIG. 13 is a front elevational view thereof; and,
FIG. 14 is a back elevational view thereof.

1 Claim, 8 Drawing Sheets



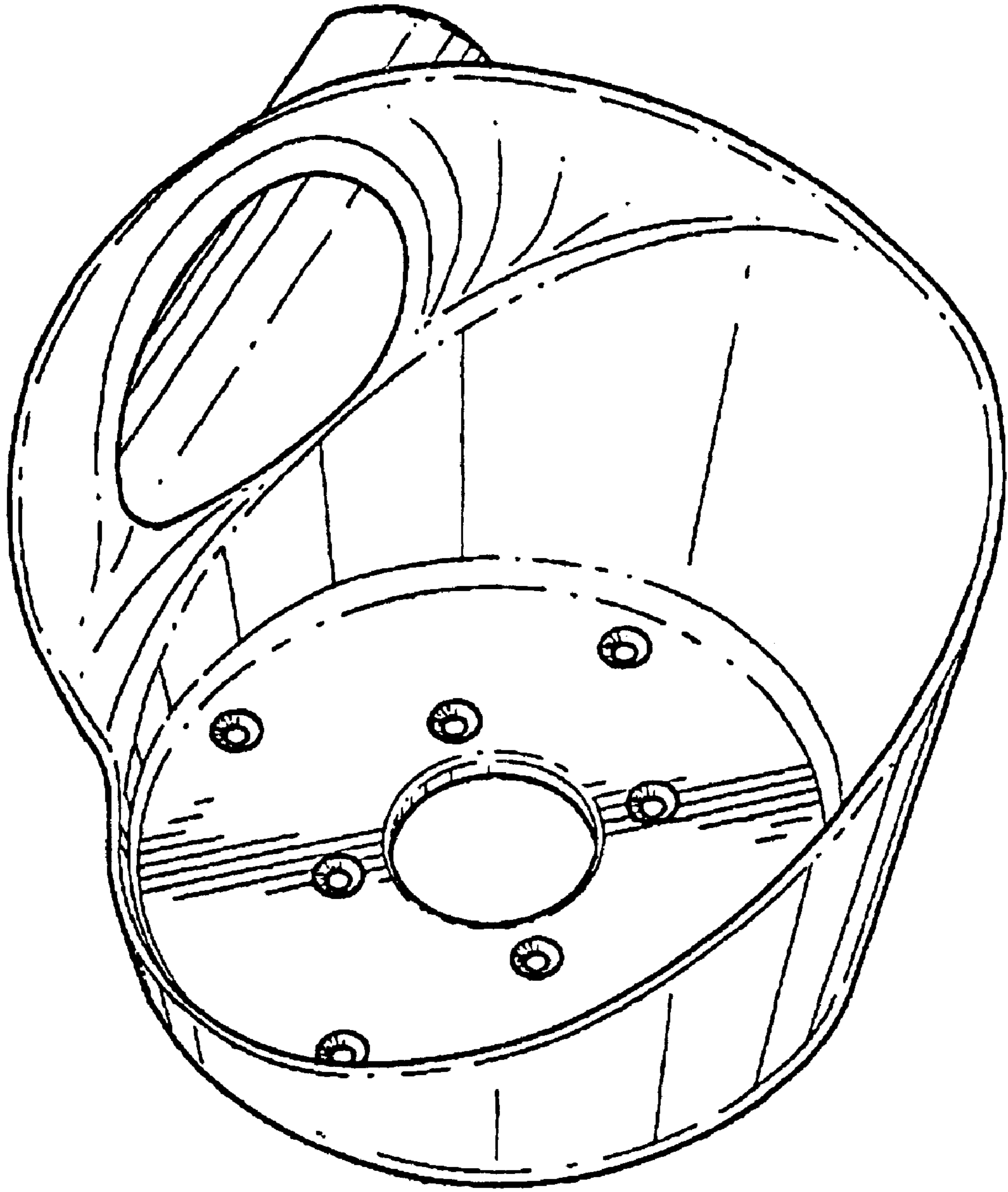


FIG. 1

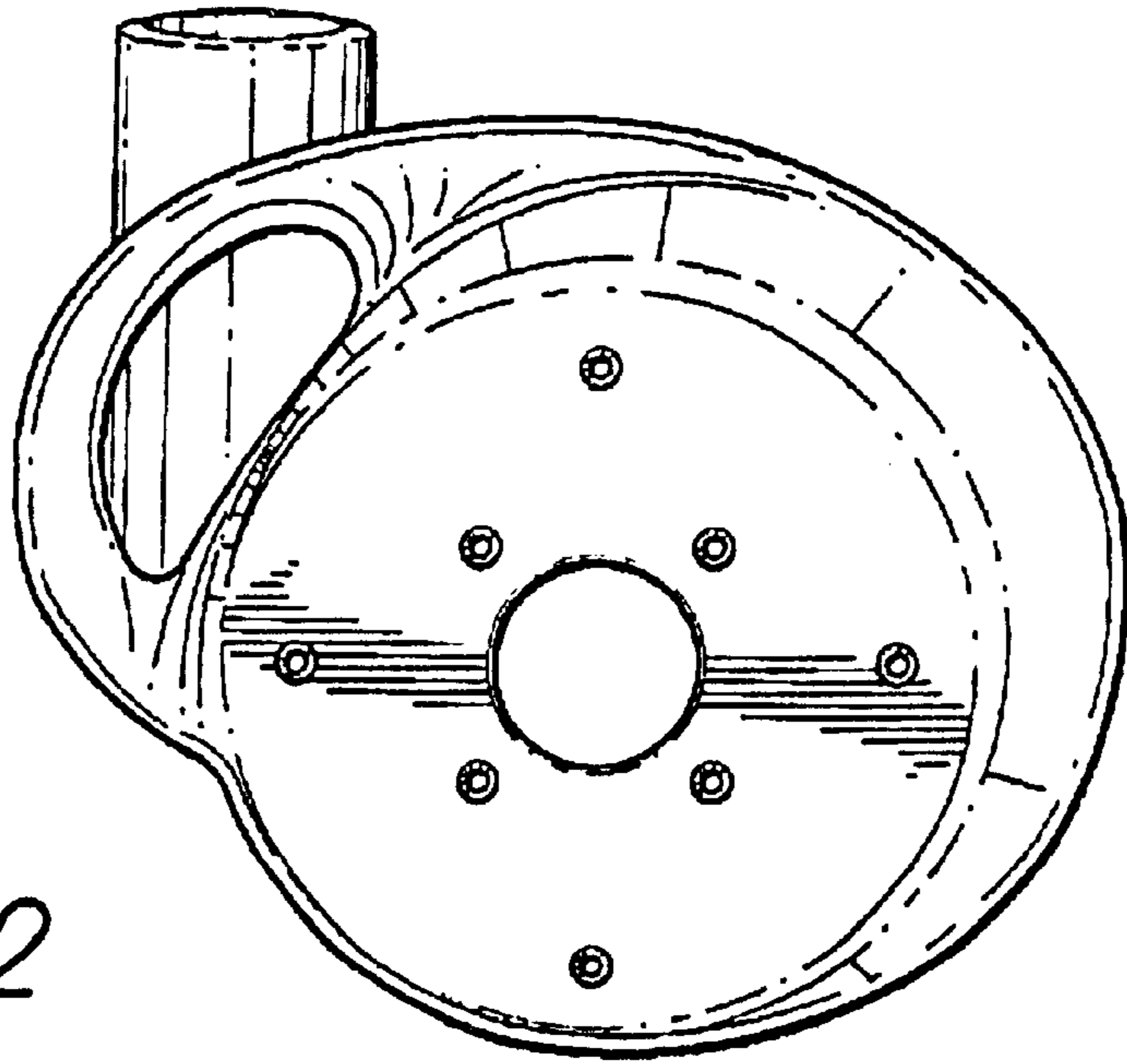


FIG. 2

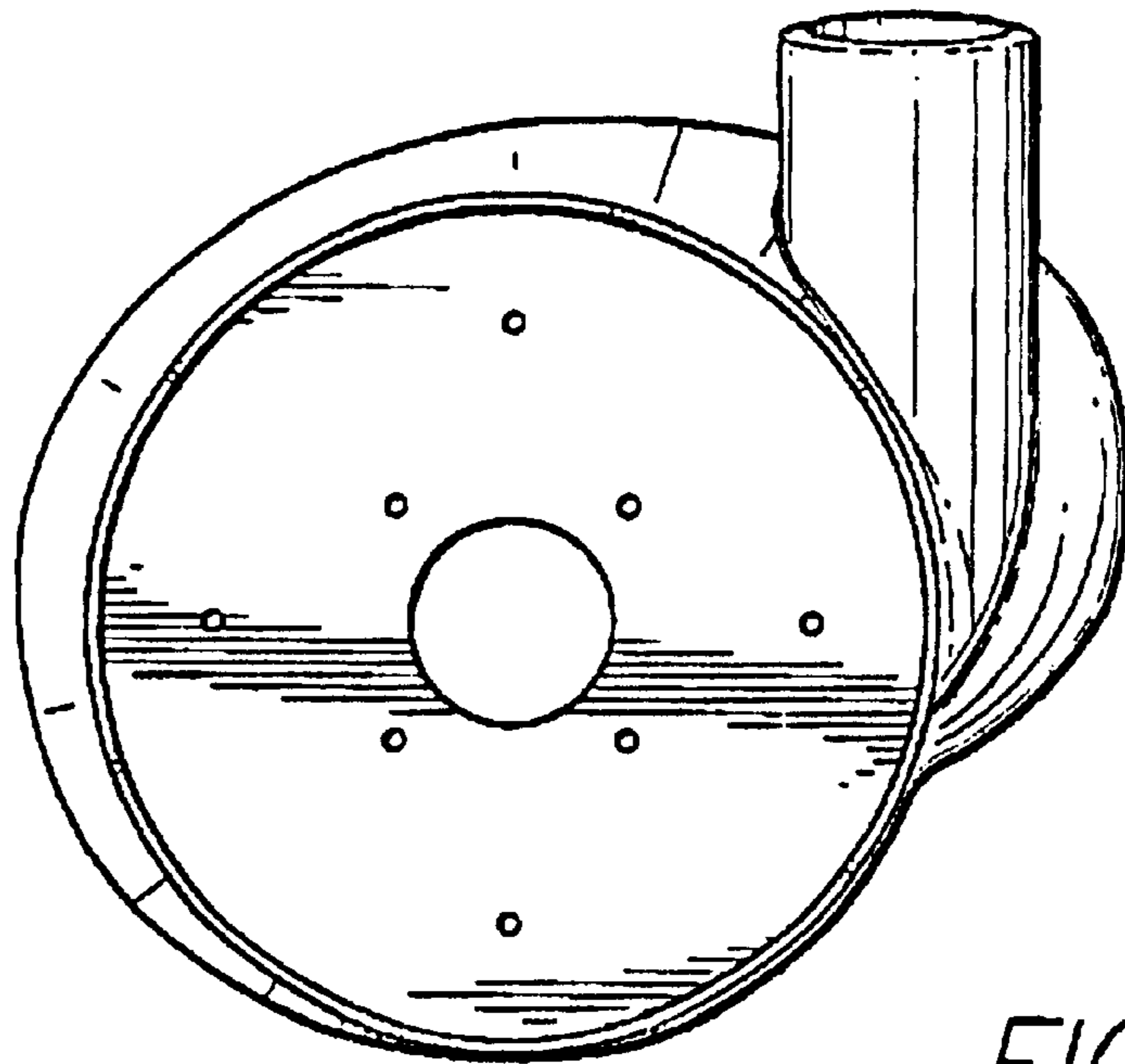


FIG. 3

FIG. 4

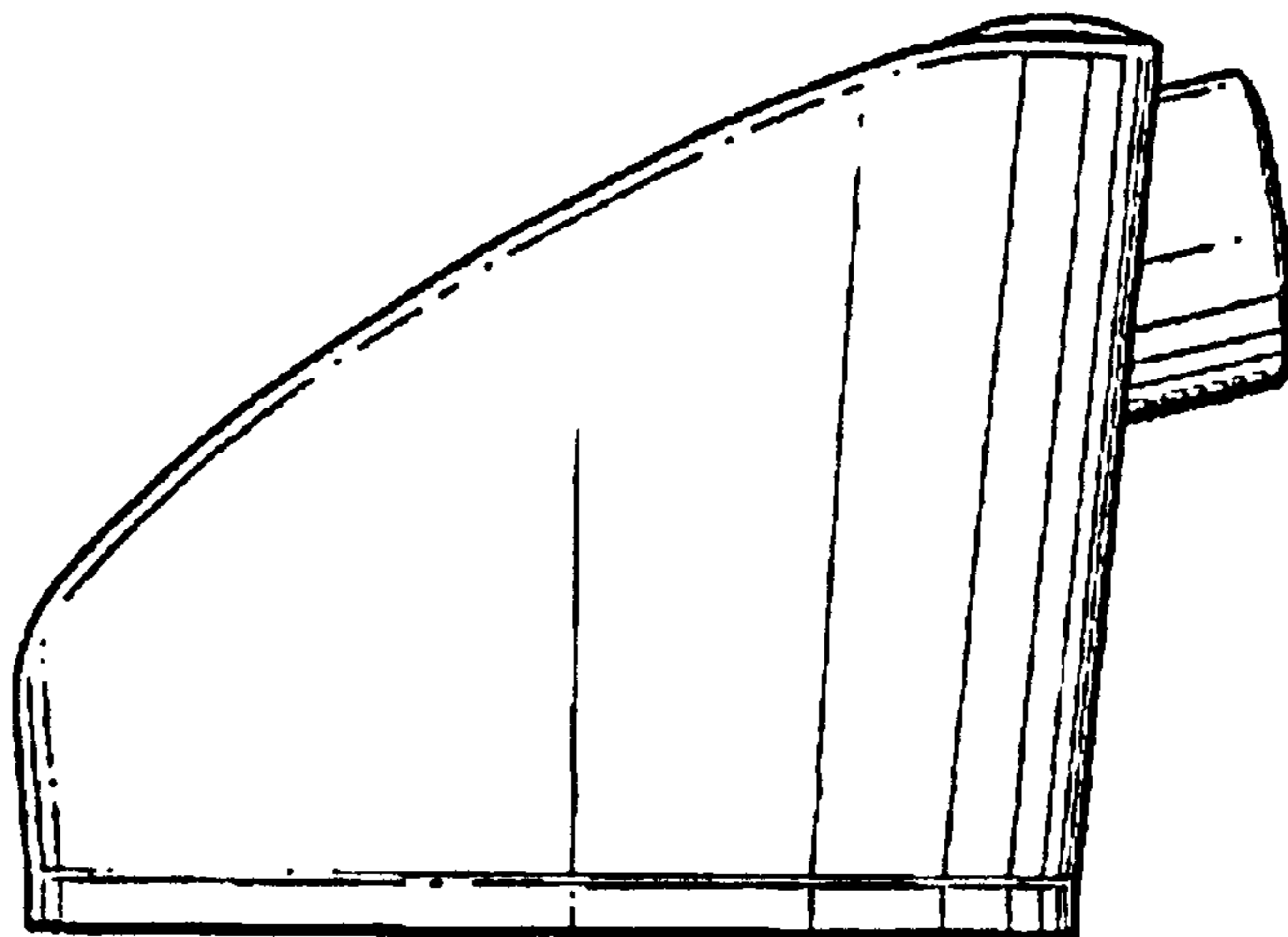
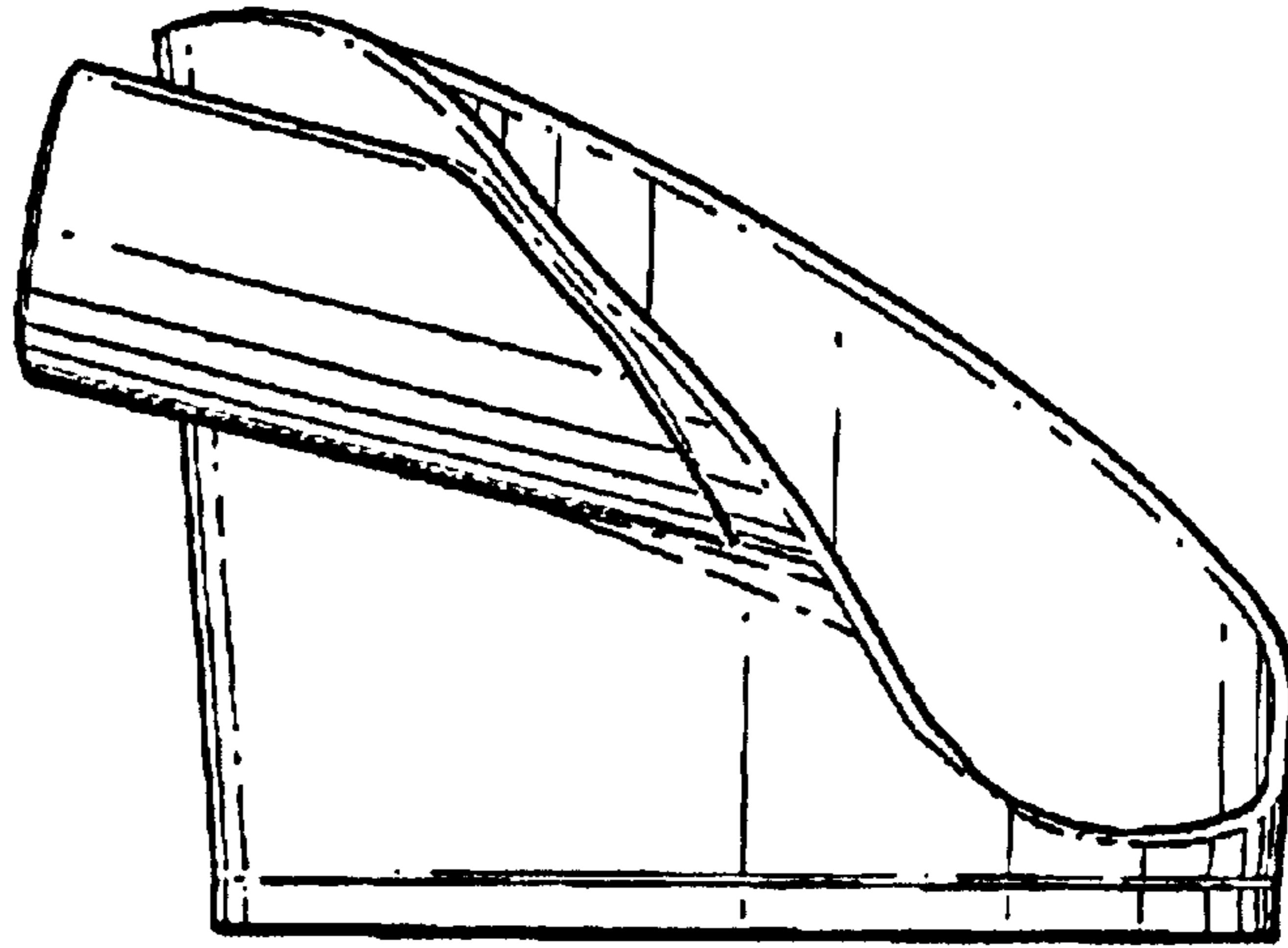


FIG. 5

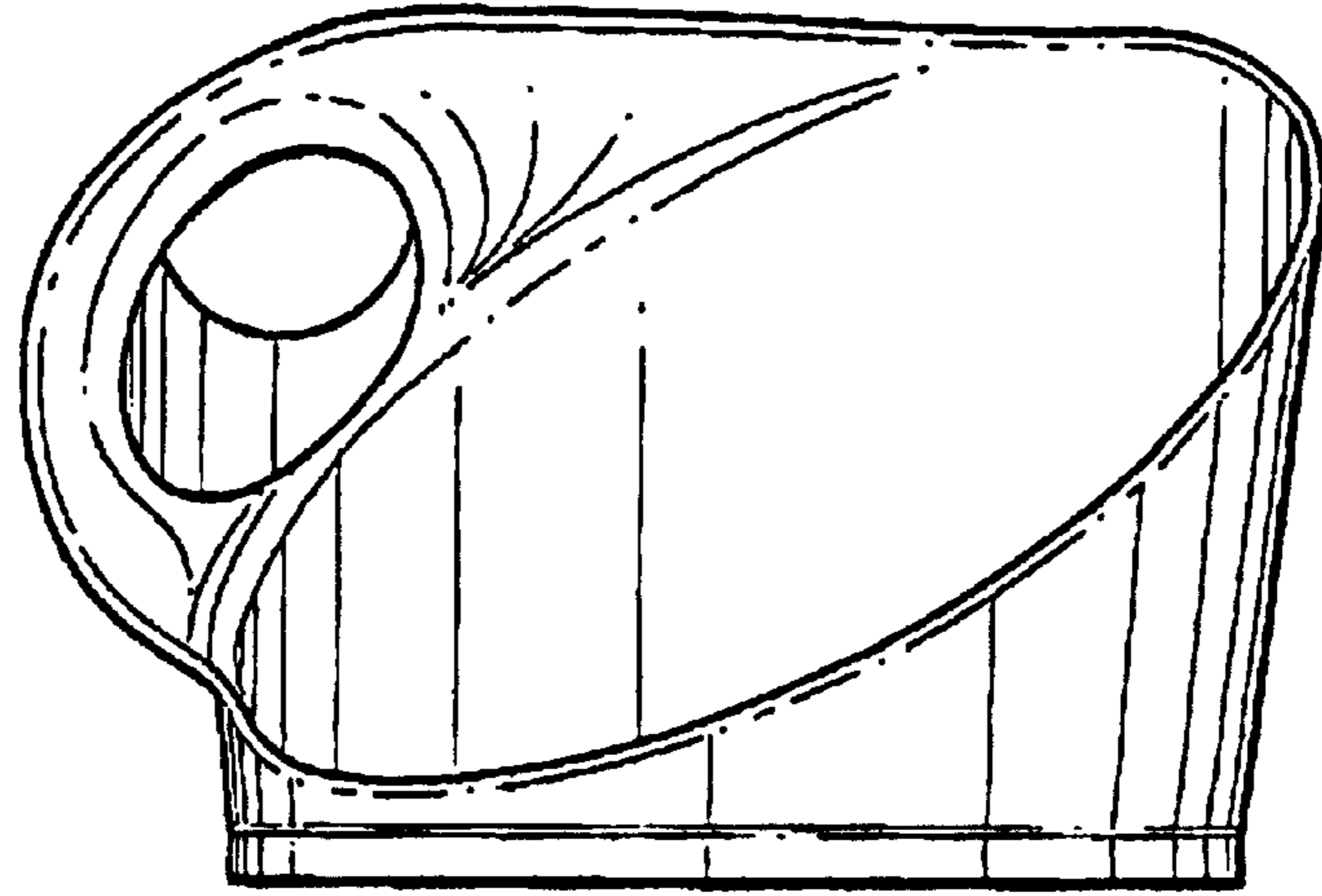


FIG. 6

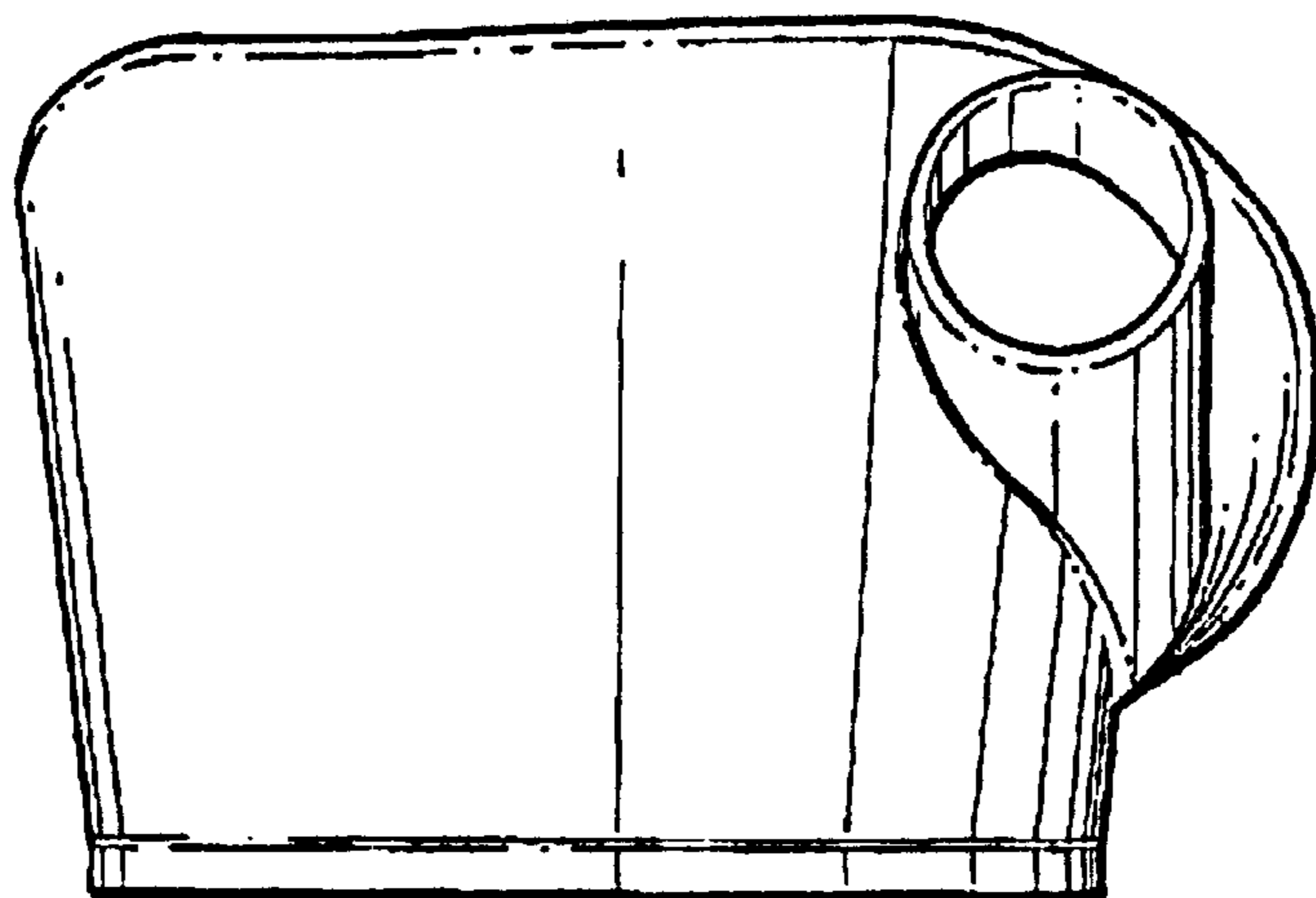


FIG. 7

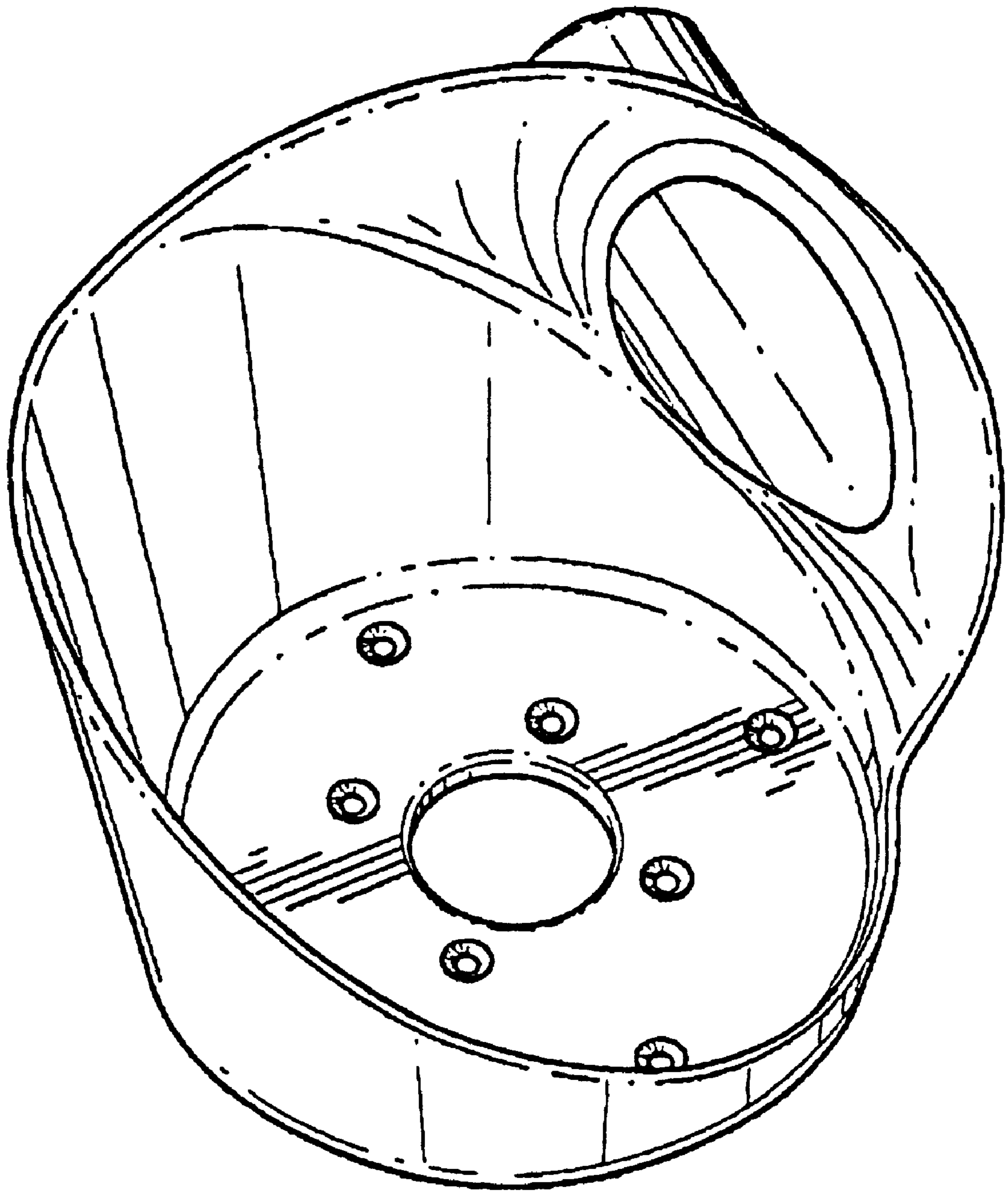


FIG. 8

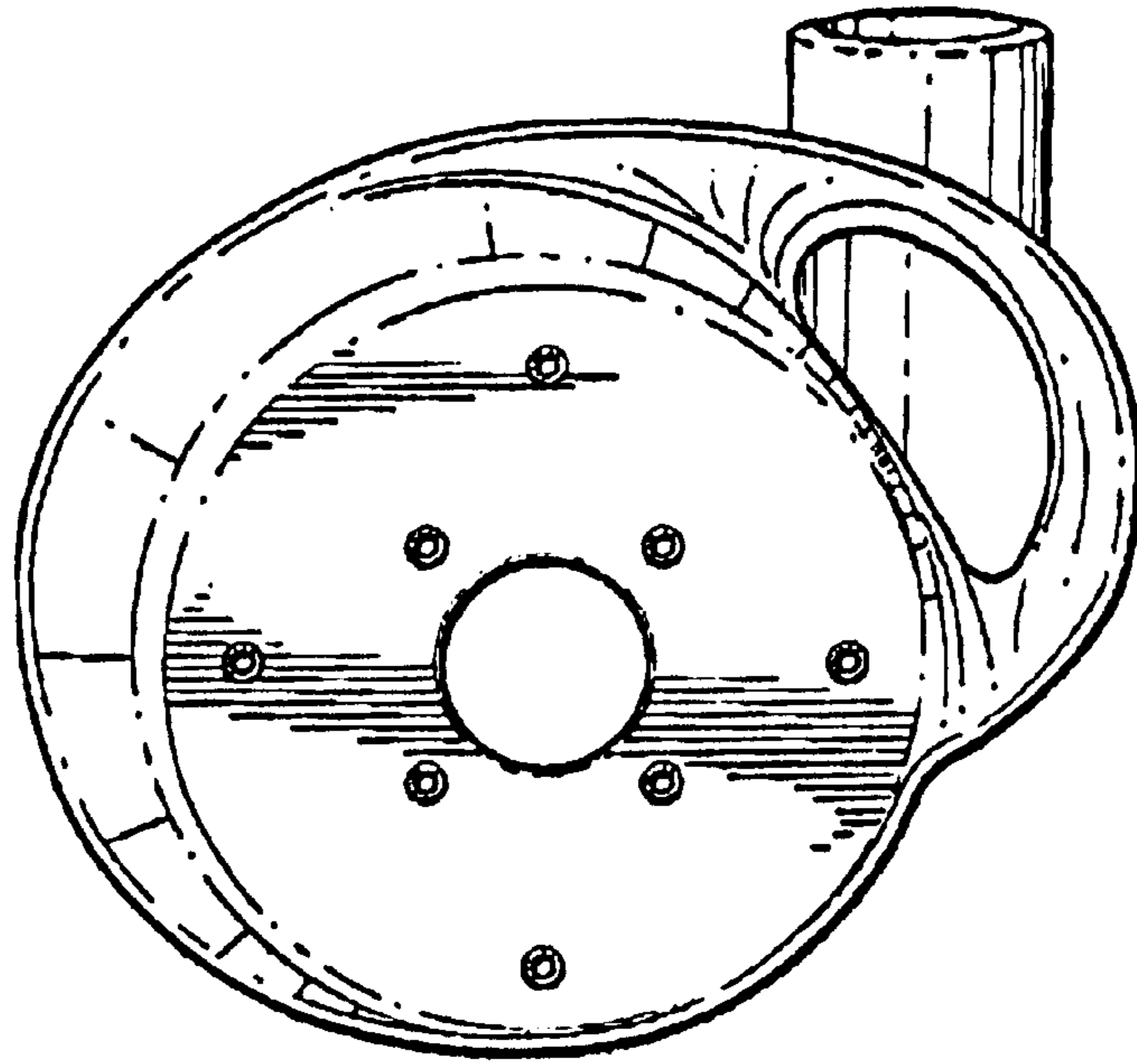


FIG. 9

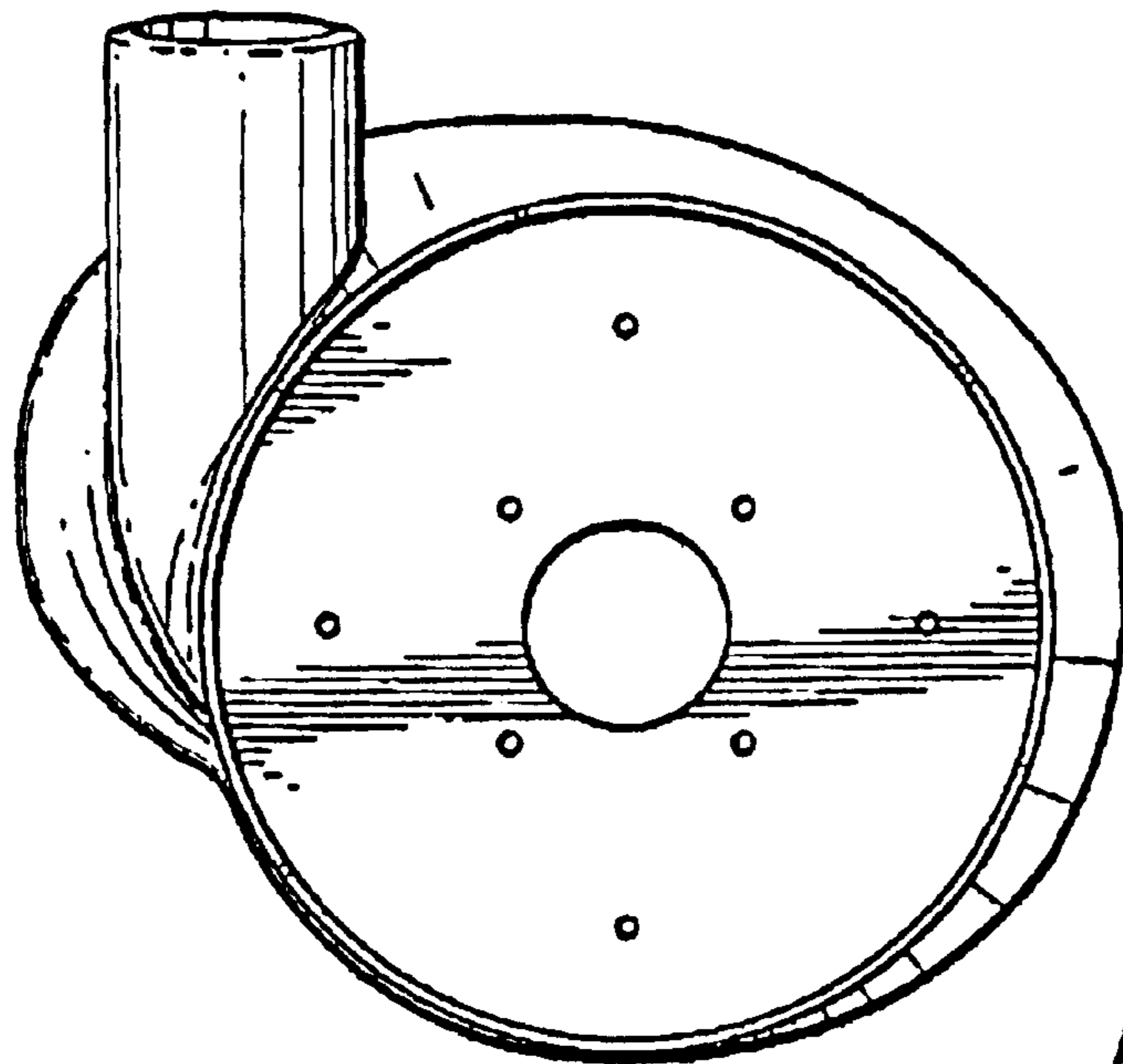


FIG. 10

FIG. 11

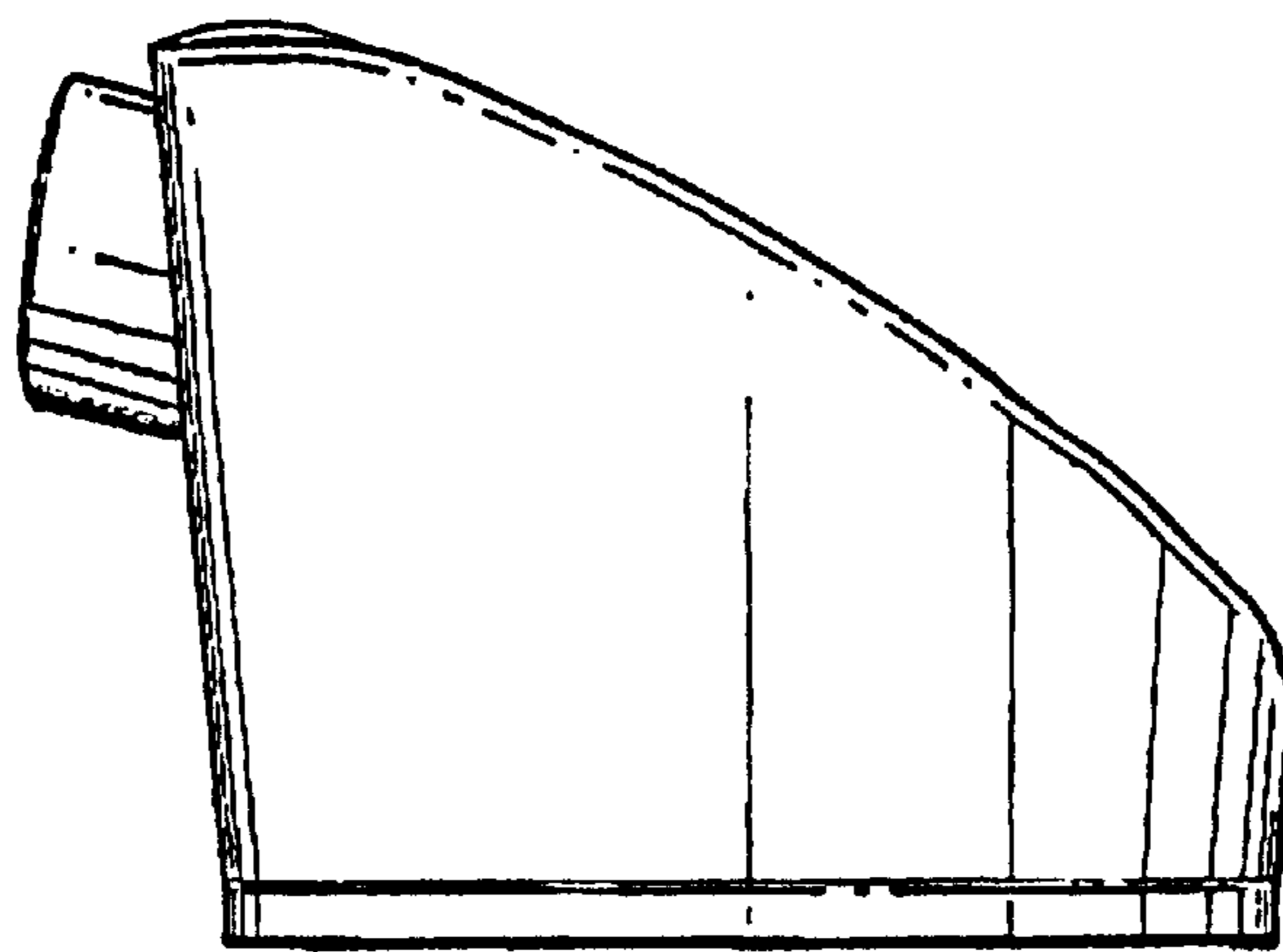
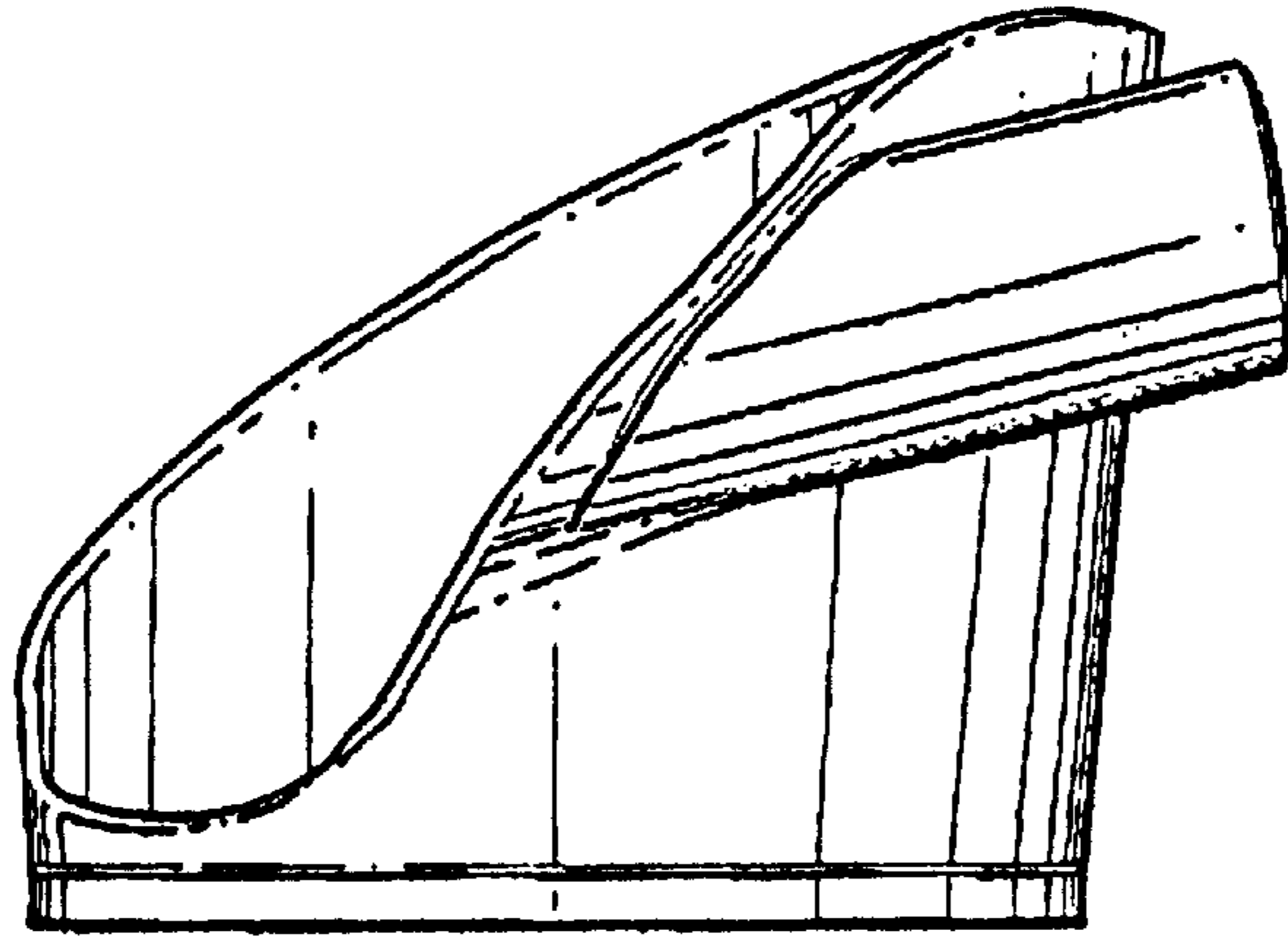


FIG. 12

FIG. 13

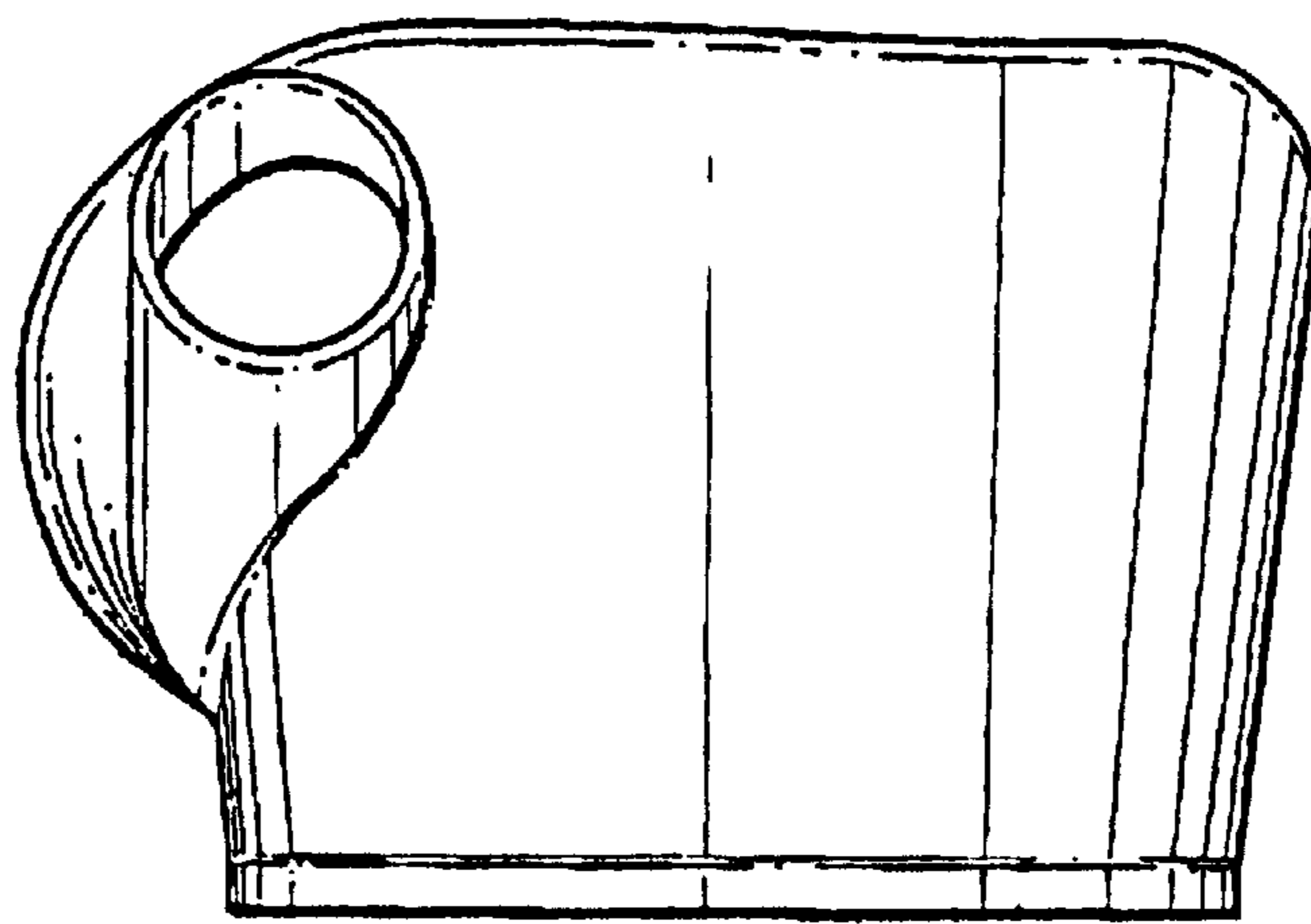
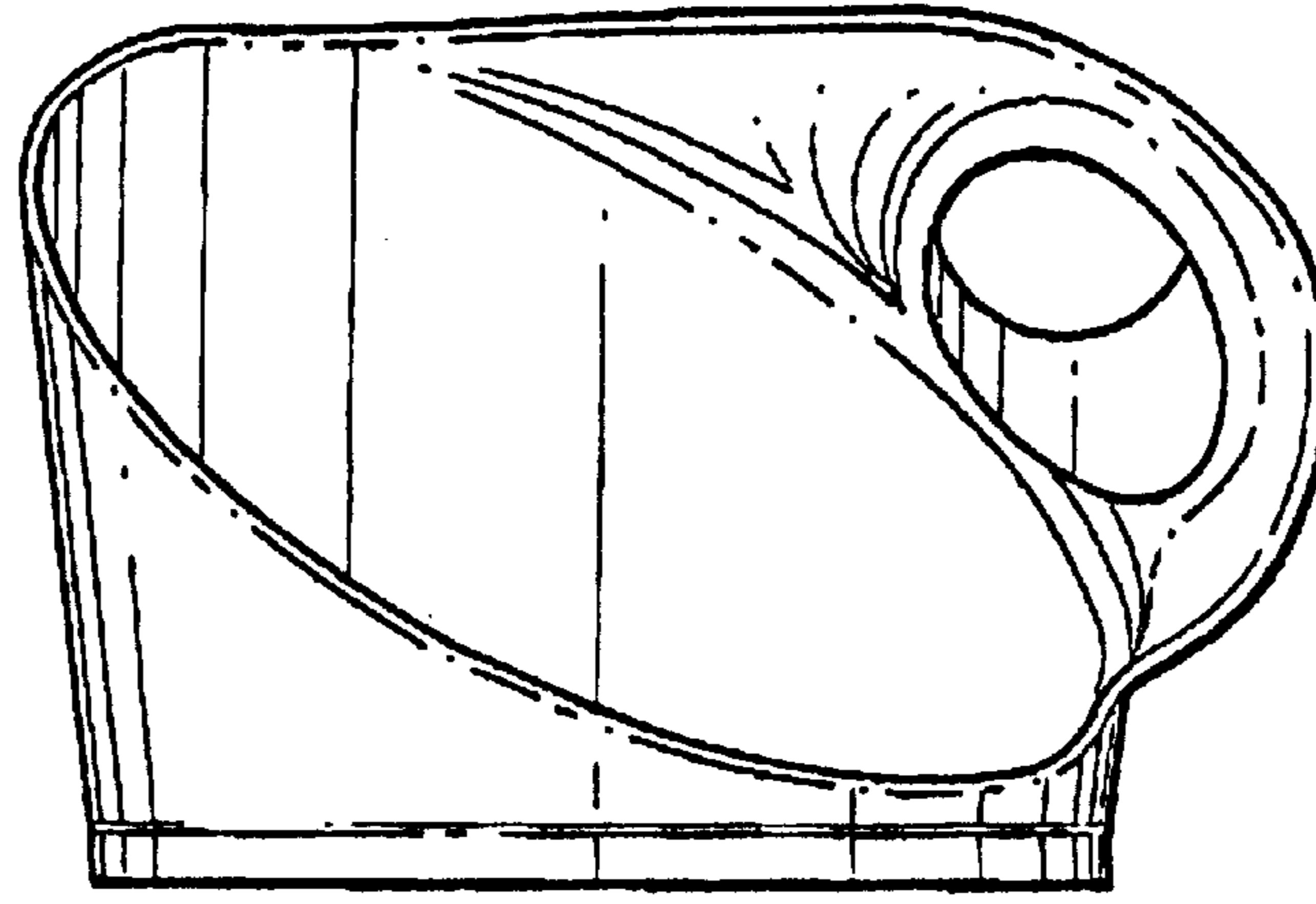


FIG. 14