



US00D466535S

(12) **United States Design Patent**
Shimizu et al.

(10) **Patent No.:** **US D466,535 S**

(45) **Date of Patent:** **** Dec. 3, 2002**

(54) **THREAD CARTRIDGE FOR EMBROIDERY MACHINE**

(75) Inventors: **Yasuhiro Shimizu**, Gifu-ken (JP);
Nobuyuki Iwai, Aichi-ken (JP);
Toshiyuki Mamiya, Nisshin (JP);
Akira Terao, Nagoya (JP)

(73) Assignee: **Brother Industries, Ltd.**, Nagoya (JP)

(**) Term: **14 Years**

(21) Appl. No.: **29/143,851**

(22) Filed: **Jun. 22, 2001**

(30) **Foreign Application Priority Data**

Dec. 28, 2000 (JP) 2000-037759

(51) **LOC (7) Cl.** **15-03**

(52) **U.S. Cl.** **D15/78**

(58) **Field of Search** D15/66-78; D8/395,
D8/396, 388, 391, 366, 373; 112/102, 102.11,
258-262.1, 102.5; 264/161; 248/68.1, 71;
383/4

(56) **References Cited**

U.S. PATENT DOCUMENTS

2,266,432 A * 12/1941 Morin et al. 264/161
3,430,903 A * 3/1969 Mathes 248/68.1
D237,656 S * 11/1975 Clemens D15/78

4,280,420 A * 7/1981 Nishida et al. 112/102
4,955,068 A * 9/1990 Tennihan 383/4
D369,171 S * 4/1996 Jonson D15/72
5,651,653 A * 7/1997 Bablo 414/24.5
D384,945 S * 10/1997 Takada et al. D15/66

* cited by examiner

Primary Examiner—Mitchell Siegel

(74) *Attorney, Agent, or Firm*—Oliff & Berridge, PLC

(57) **CLAIM**

The ornamental design for a thread cartridge for embroidery machine, as shown and described.

DESCRIPTION

FIG. 1 is a perspective view of a thread cartridge for embroidery machine;

FIG. 2 is a front view thereof;

FIG. 3 is a rear view thereof;

FIG. 4 is a left side view thereof;

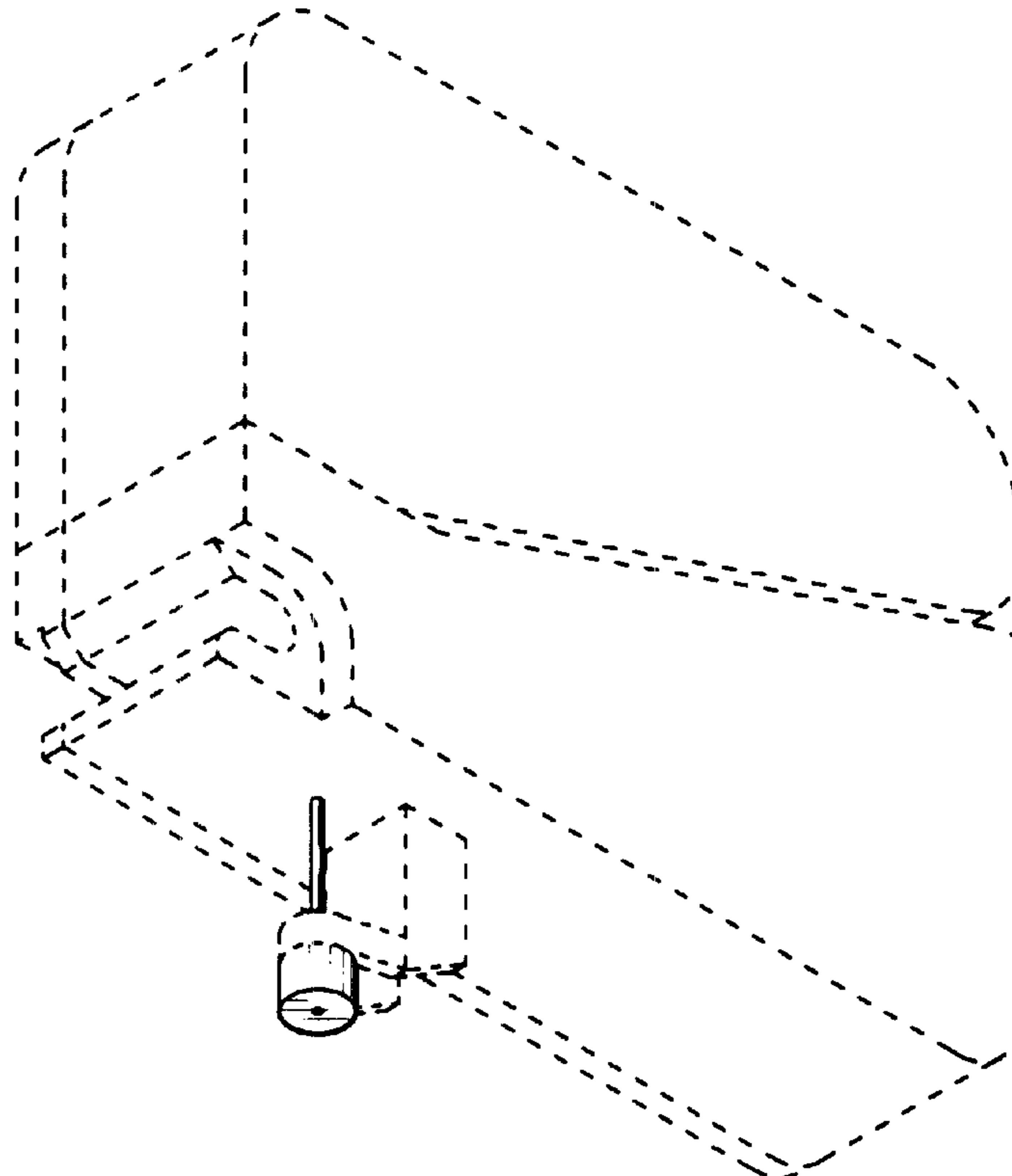
FIG. 5 is a right side view thereof;

FIG. 6 is a bottom view thereof; and,

FIG. 7 is an expanded cross-sectional view thereof, taken along the lines 7—7 of FIG. 4 and between the lines 7'—7' of FIG. 4.

The top view of the thread cartridge for embroidery machine contains no ornamentality and is omitted. The broken lines define the bounds of the claimed design but form no part of the claimed design.

1 Claim, 4 Drawing Sheets



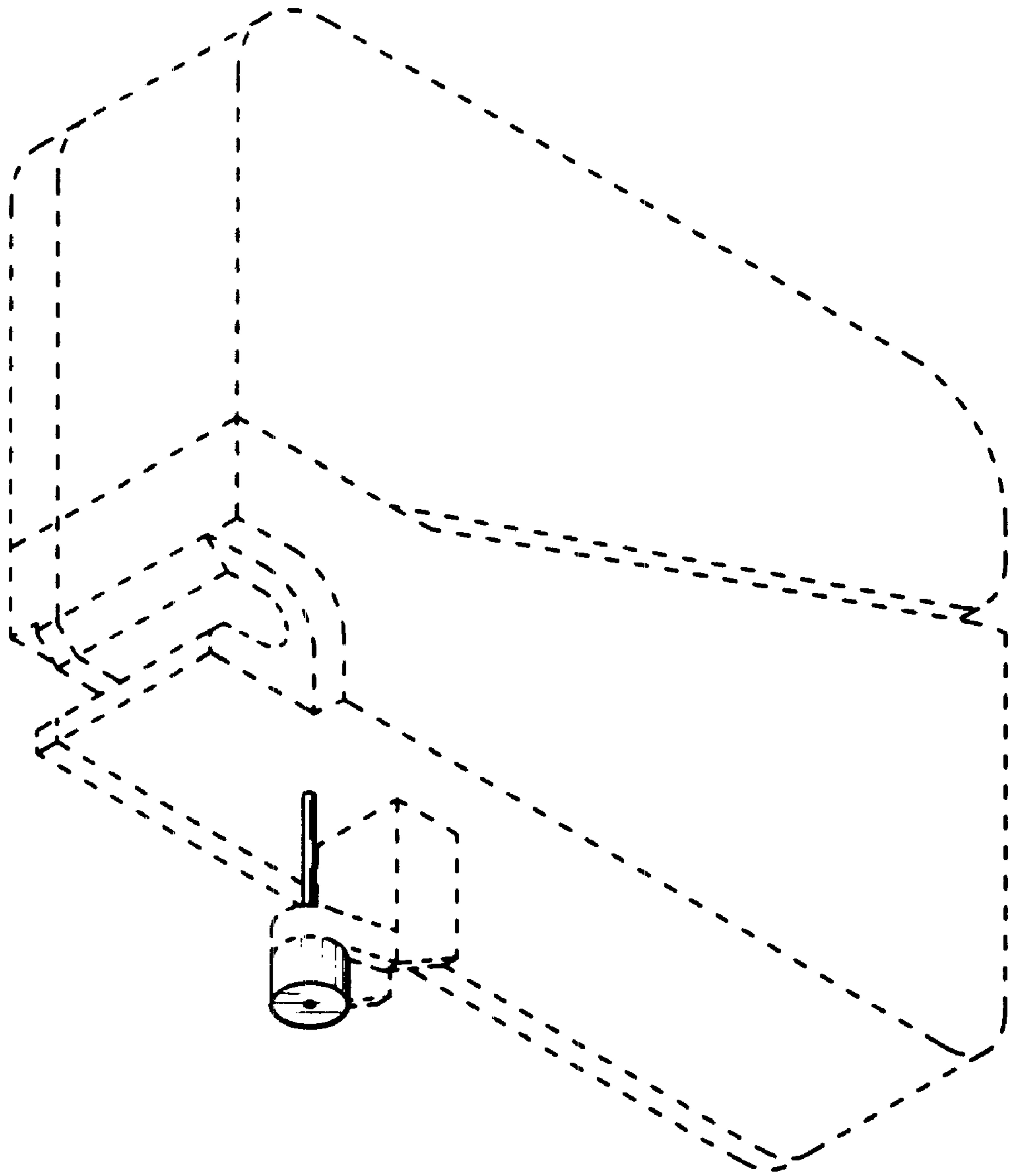


FIG. 1

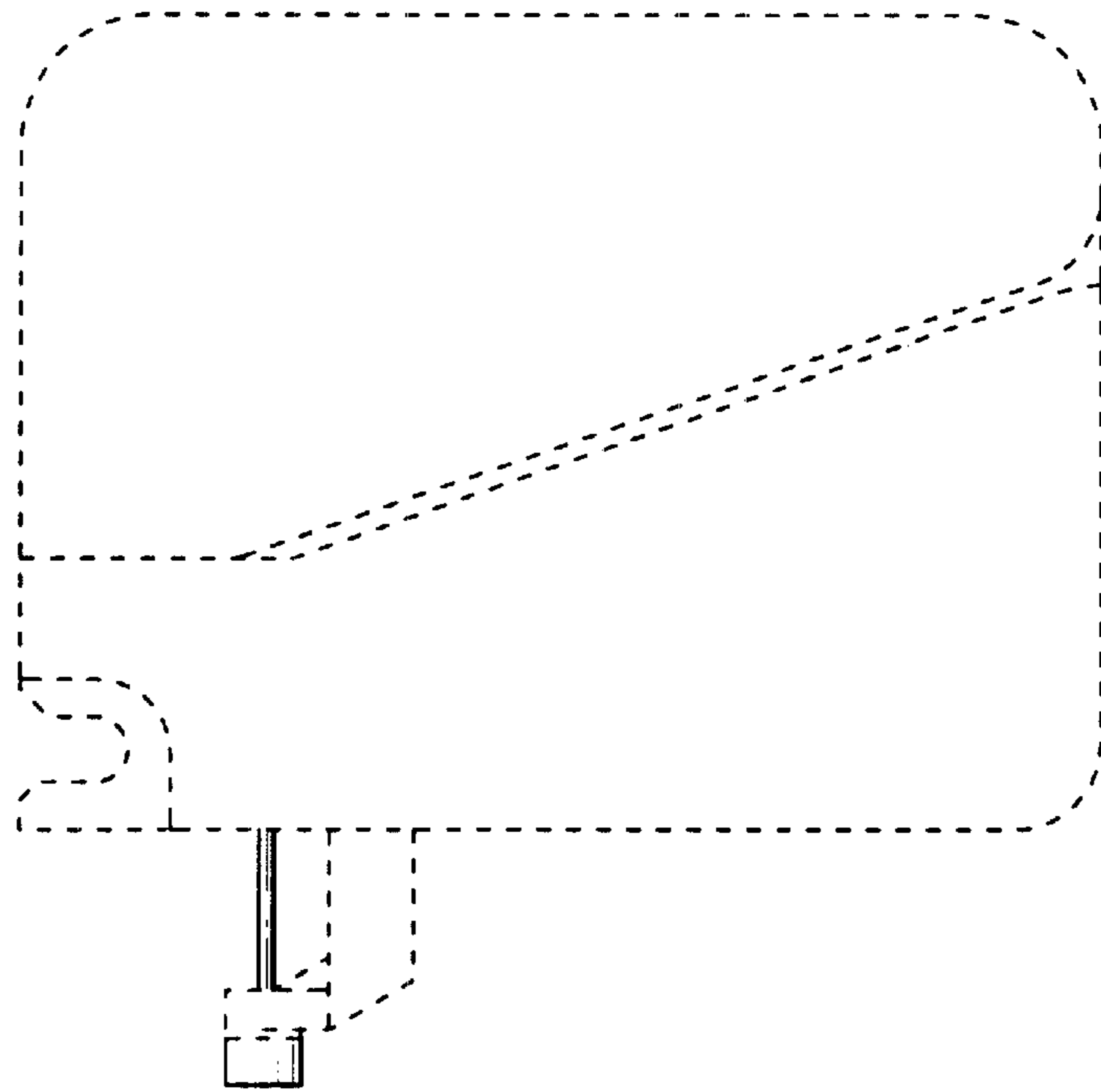


FIG. 2

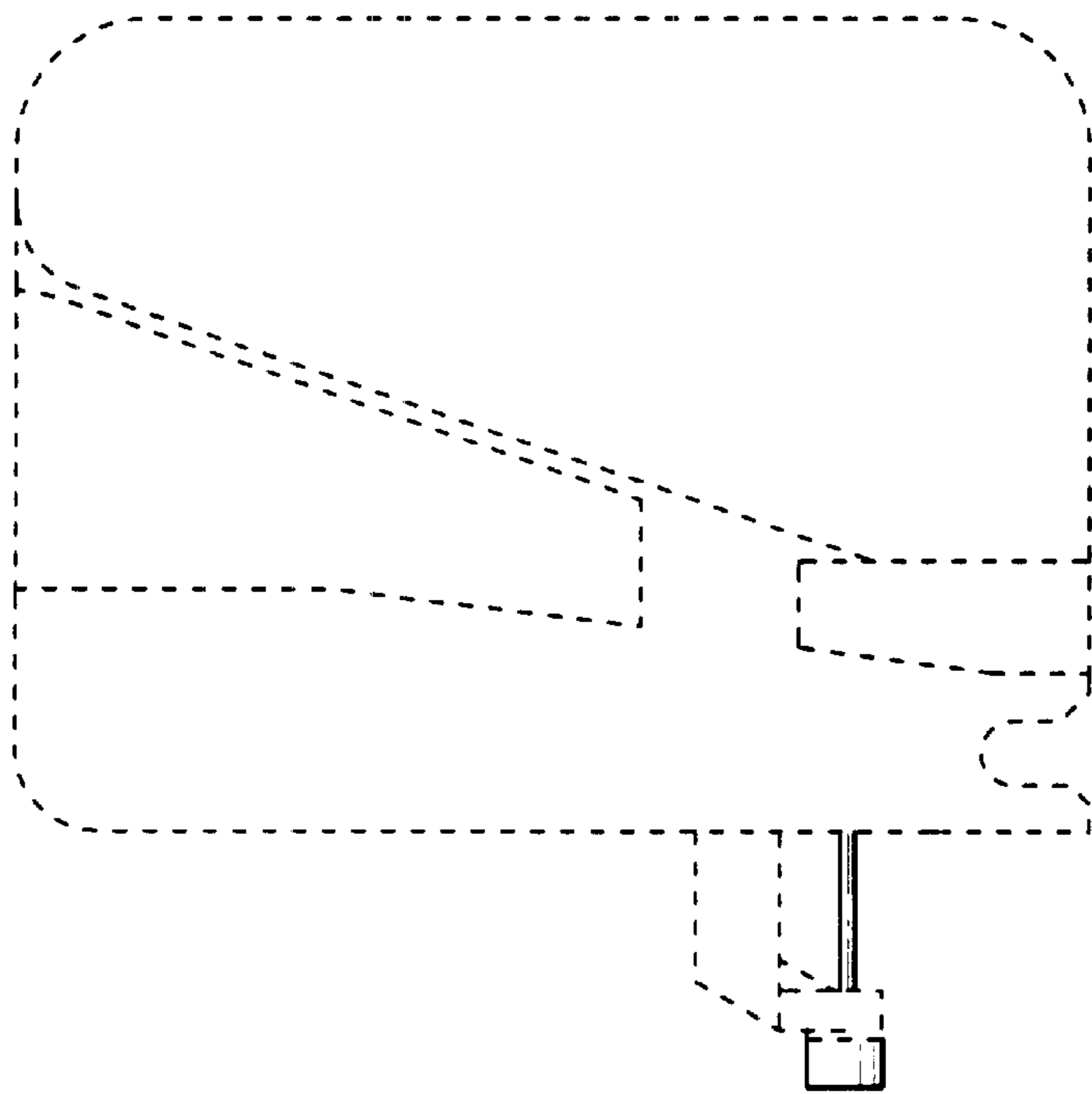


FIG. 3

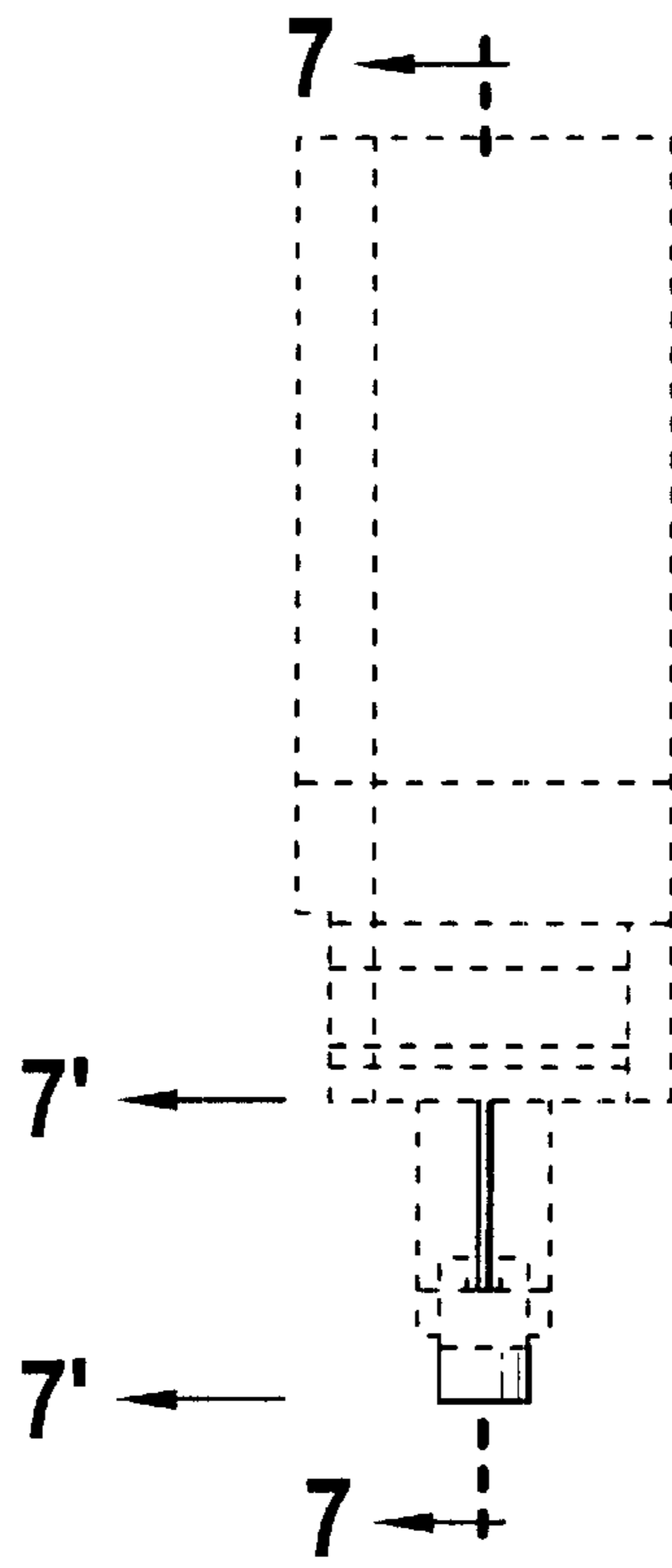


FIG. 4

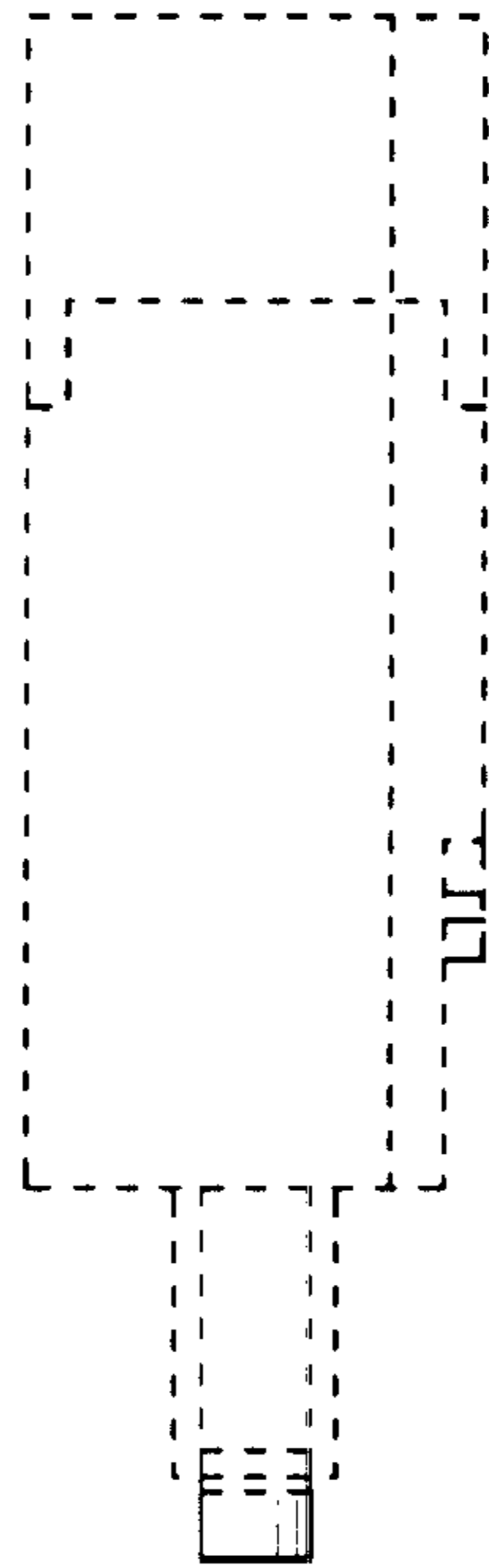


FIG. 5

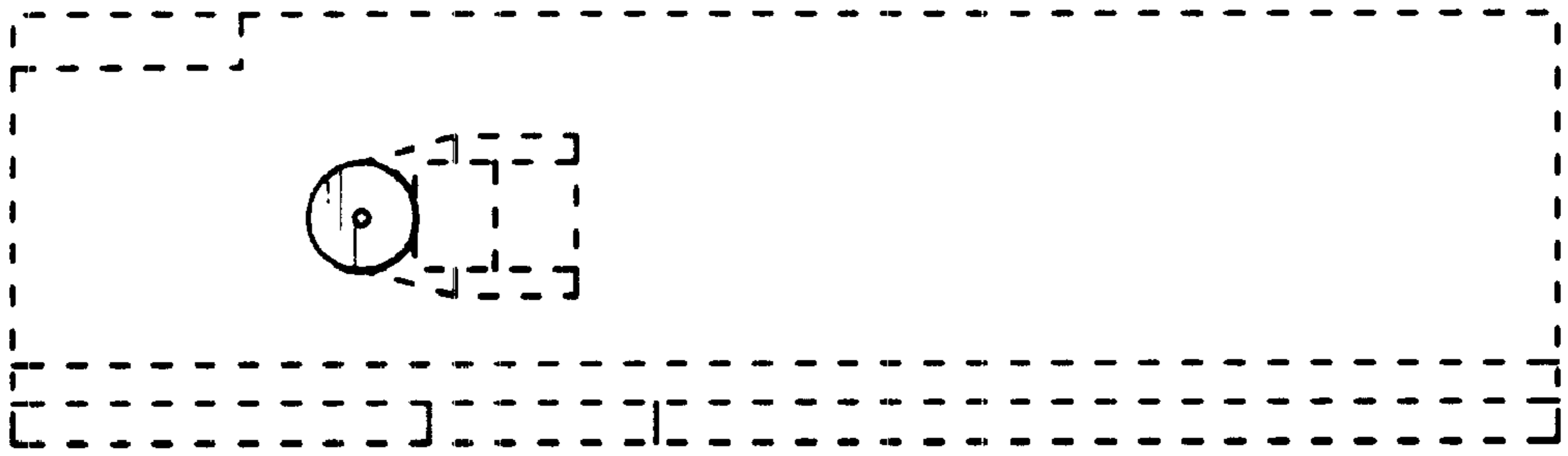


FIG. 6

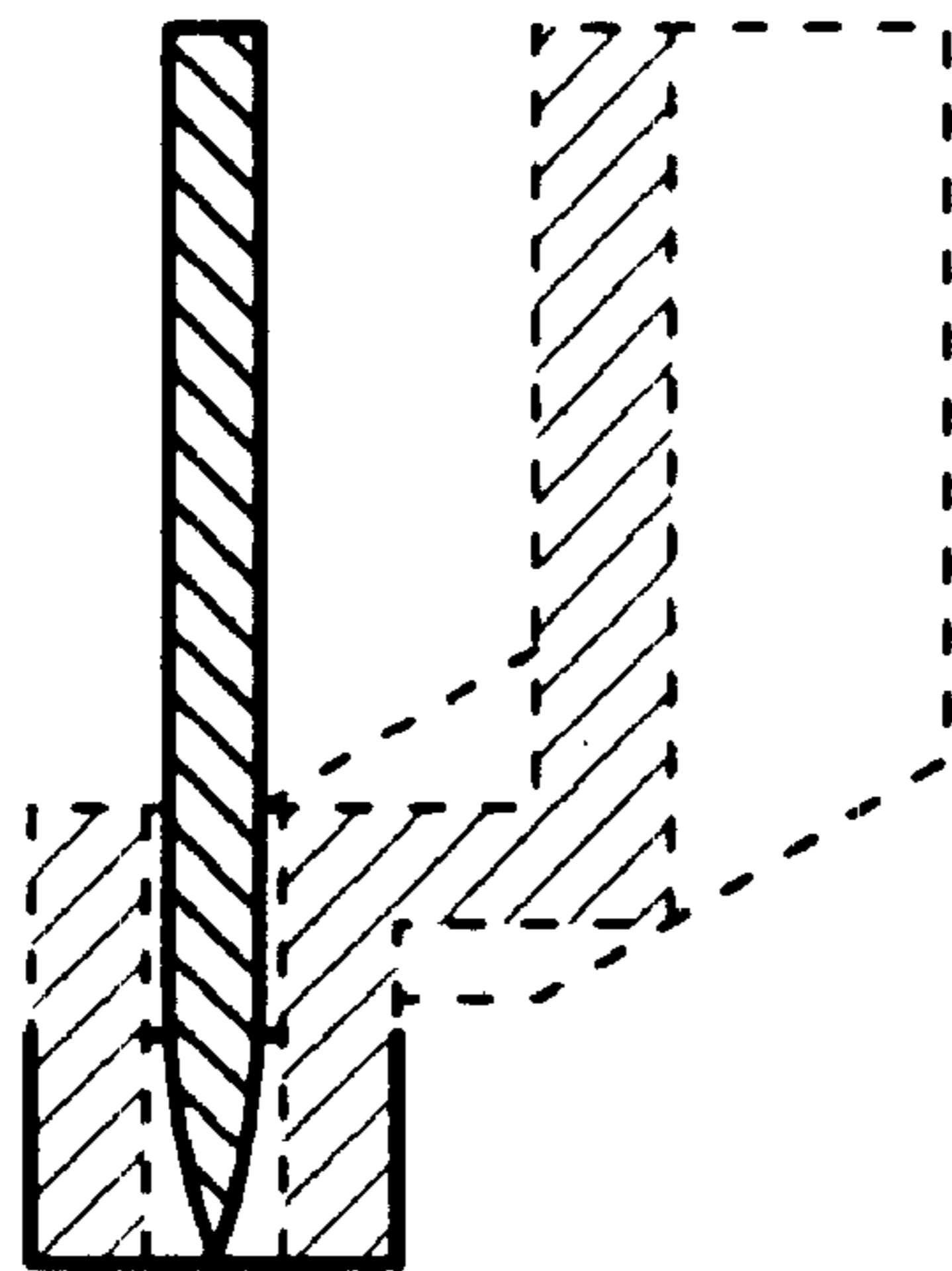


FIG. 7