



US00D466531S

(12) **United States Design Patent**
Hohnl et al.

(10) **Patent No.:** **US D466,531 S**

(45) **Date of Patent:** **** Dec. 3, 2002**

(54) **HOOD SURFACE**

(75) Inventors: **Gary David Hohnl**, Slinger, WI (US);
Dale Selsor Di Iulio, Oak Creek, WI (US); **Richard Scott Walters**, Cedar Grove, WI (US)

(73) Assignee: **Deere & Company**, Moline, IL (US)

(**) Term: **14 Years**

(21) Appl. No.: **29/148,124**

(22) Filed: **Sep. 13, 2001**

(51) **LOC (7) Cl.** **15-03**

(52) **U.S. Cl.** **D15/31**

(58) **Field of Search** D15/22-26, 17,
D15/28, 31; 56/12.8, 13.4, 17.4, 17.5, 202,
254, 255, 320.1, 320.2; 180/89.1, 89.12,
900; 296/156, 187, 901

(56) **References Cited**

U.S. PATENT DOCUMENTS

D311,543 S	10/1990	Hardzinski et al.	D15/17
D329,242 S	9/1992	Holm et al.	D15/17
D365,578 S	12/1995	Westimayer et al.	D15/31
D371,372 S	7/1996	Westimayer et al.	D15/31
D381,341 S	7/1997	Goebert et al.	D15/31

D383,470 S	9/1997	Westimayer et al.	D15/31
D410,012 S	5/1999	Goebert et al.	D15/31
D411,210 S	6/1999	Goebert et al.	D15/31
D411,330 S	6/1999	Goebert et al.	D26/139

Primary Examiner—Mitchell Siegel

(57) **CLAIM**

The ornamental design for a hood surface, as shown and described.

DESCRIPTION

FIG. 1 is a left front elevated perspective view of a hood surface showing our new design, the broken line showing being for illustrative purposes only, and forms no part of the claimed design.

FIG. 2 is an elevated right front perspective view of the hood surface design of FIG. 1.

FIG. 3 is a front view of the hood surface design of FIG. 1.

FIG. 4 is a plan view of the hood surface design of FIG. 1.

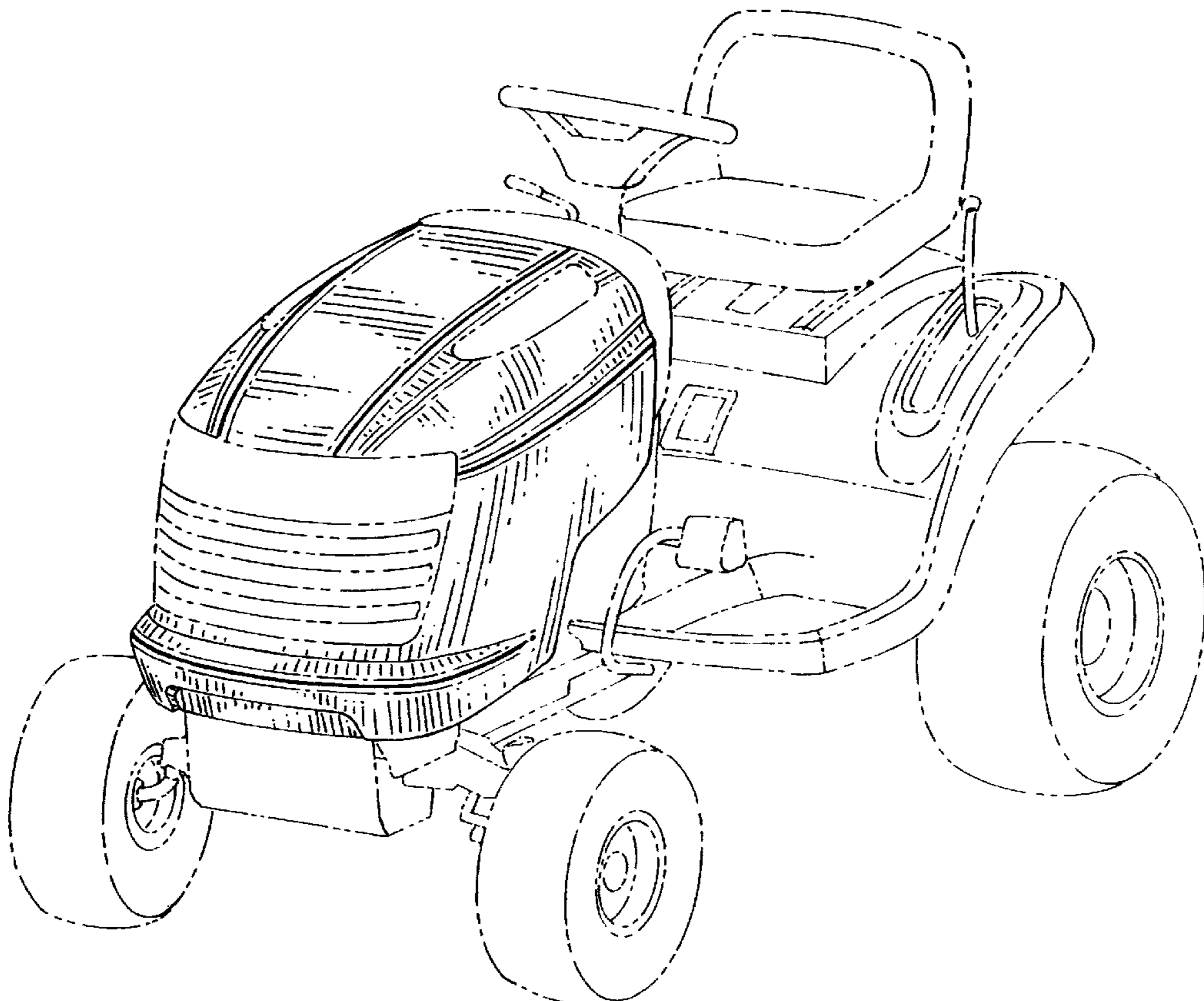
FIG. 5 is a right side view of the hood surface design of FIG. 1.

FIG. 6 is a bottom view of the hood surface design of FIG. 1.

FIG. 7 is a left side view of the hood surface design of FIG. 1; and,

FIG. 8 is a rear view of the hood surface design of FIG. 1.

1 Claim, 4 Drawing Sheets



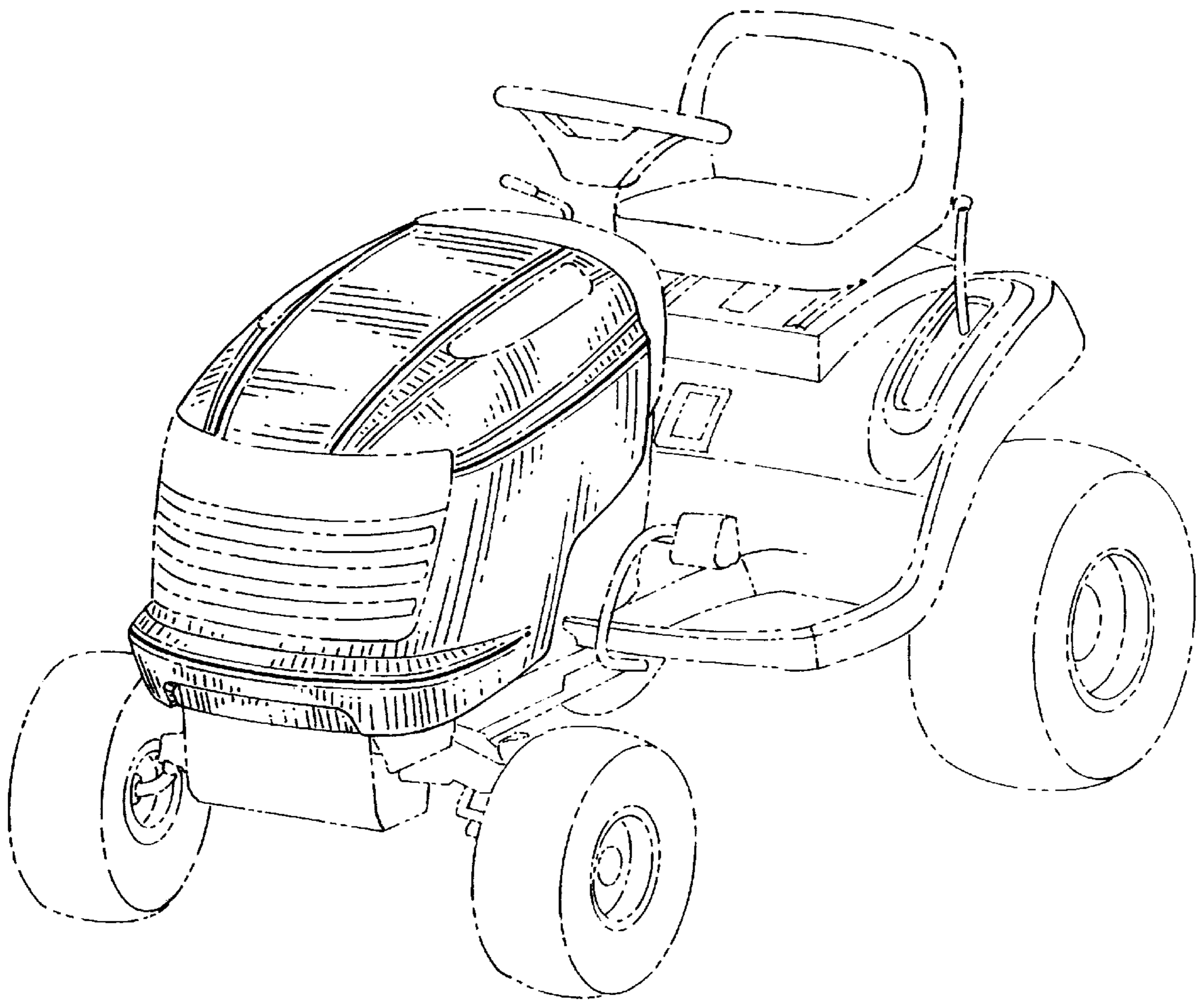


Fig. 1

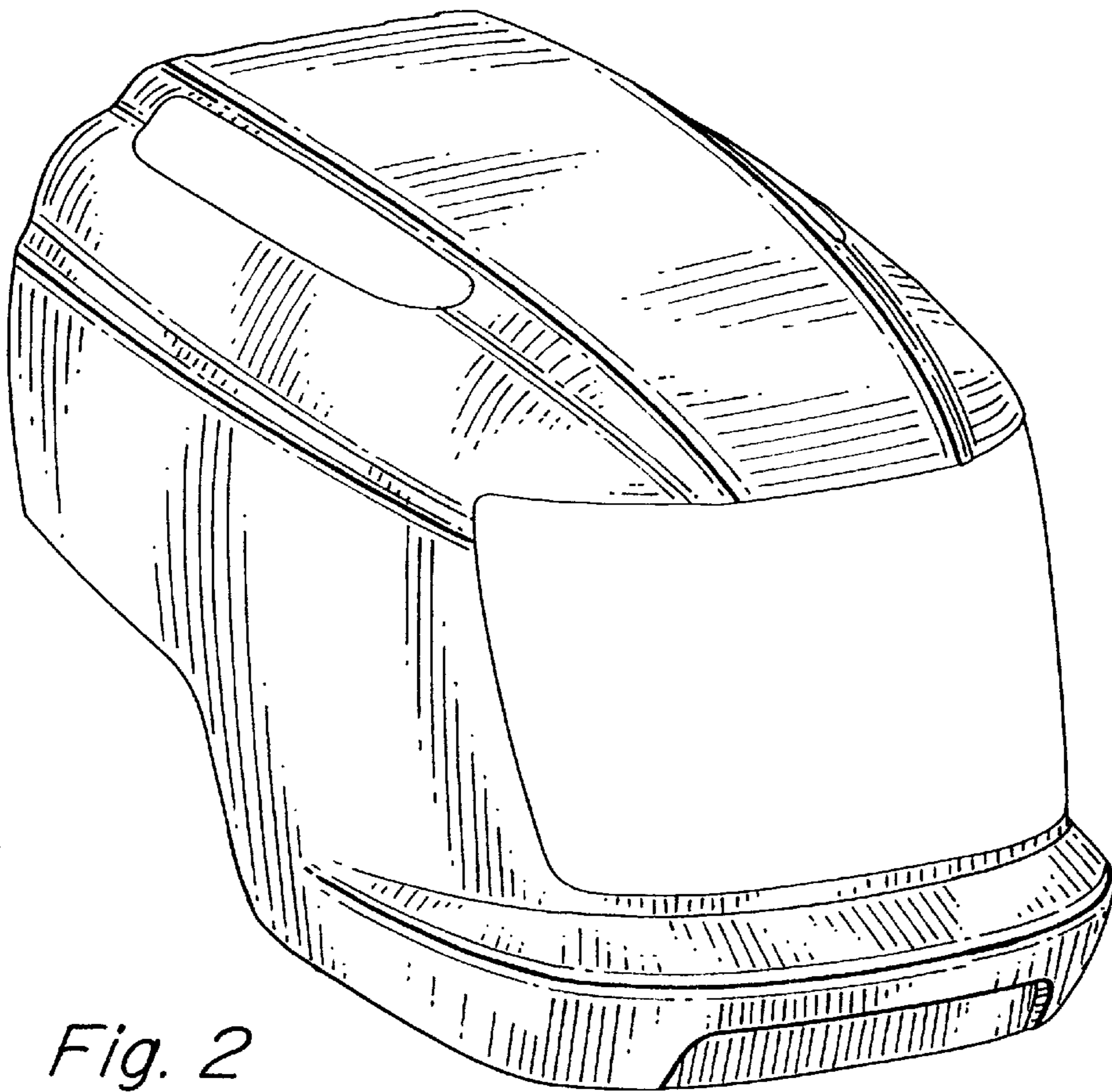


Fig. 2

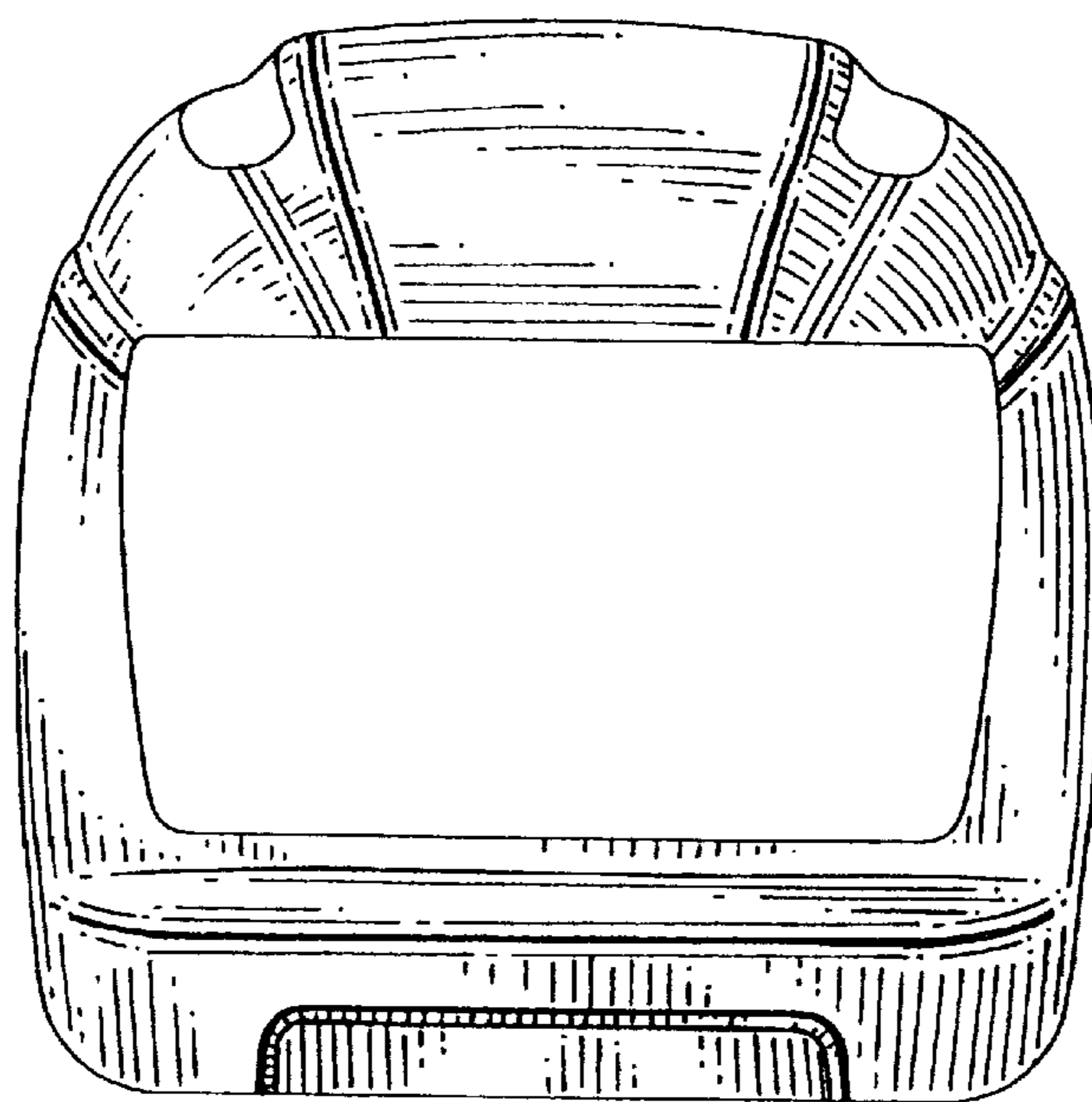


Fig. 3

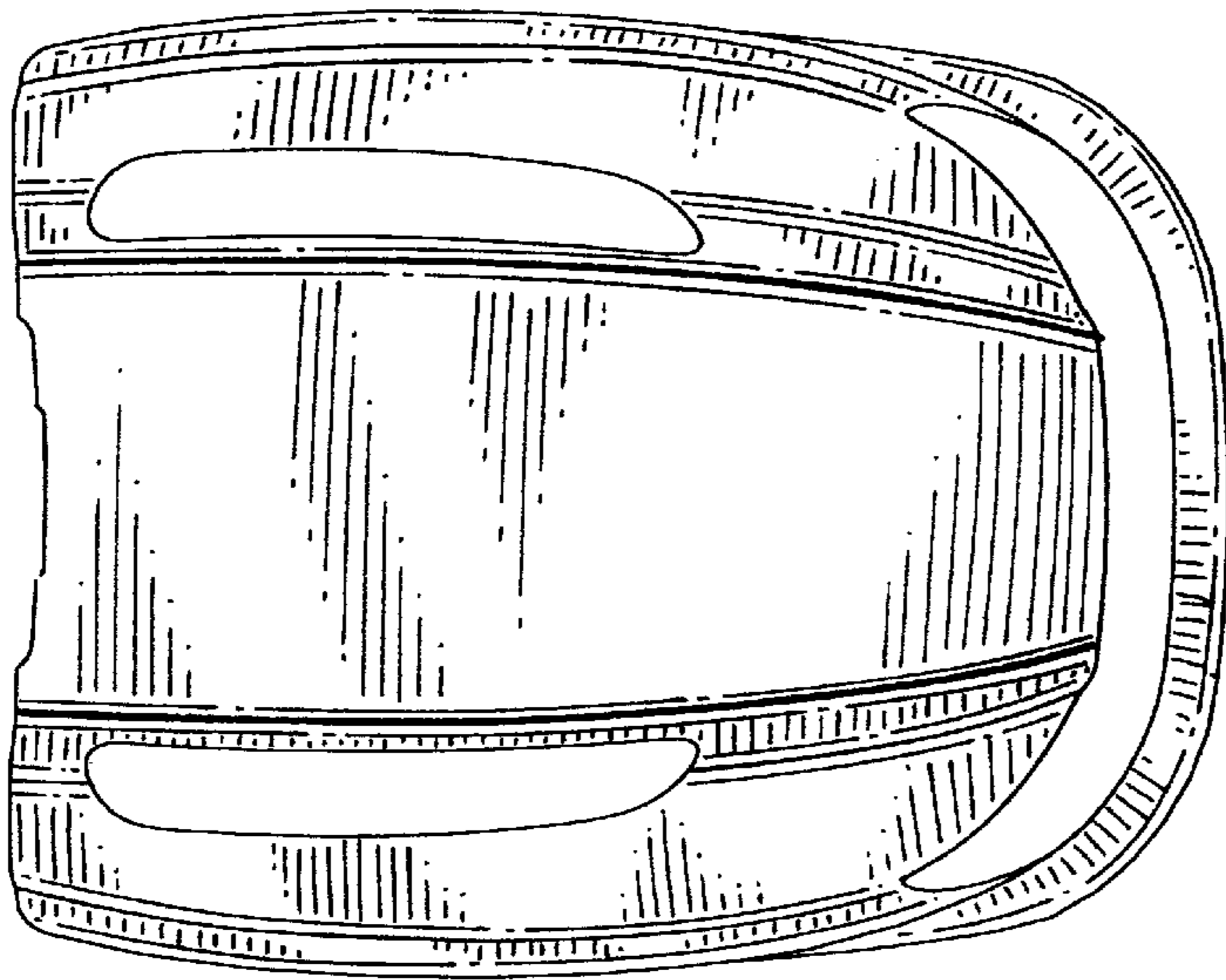


Fig. 4

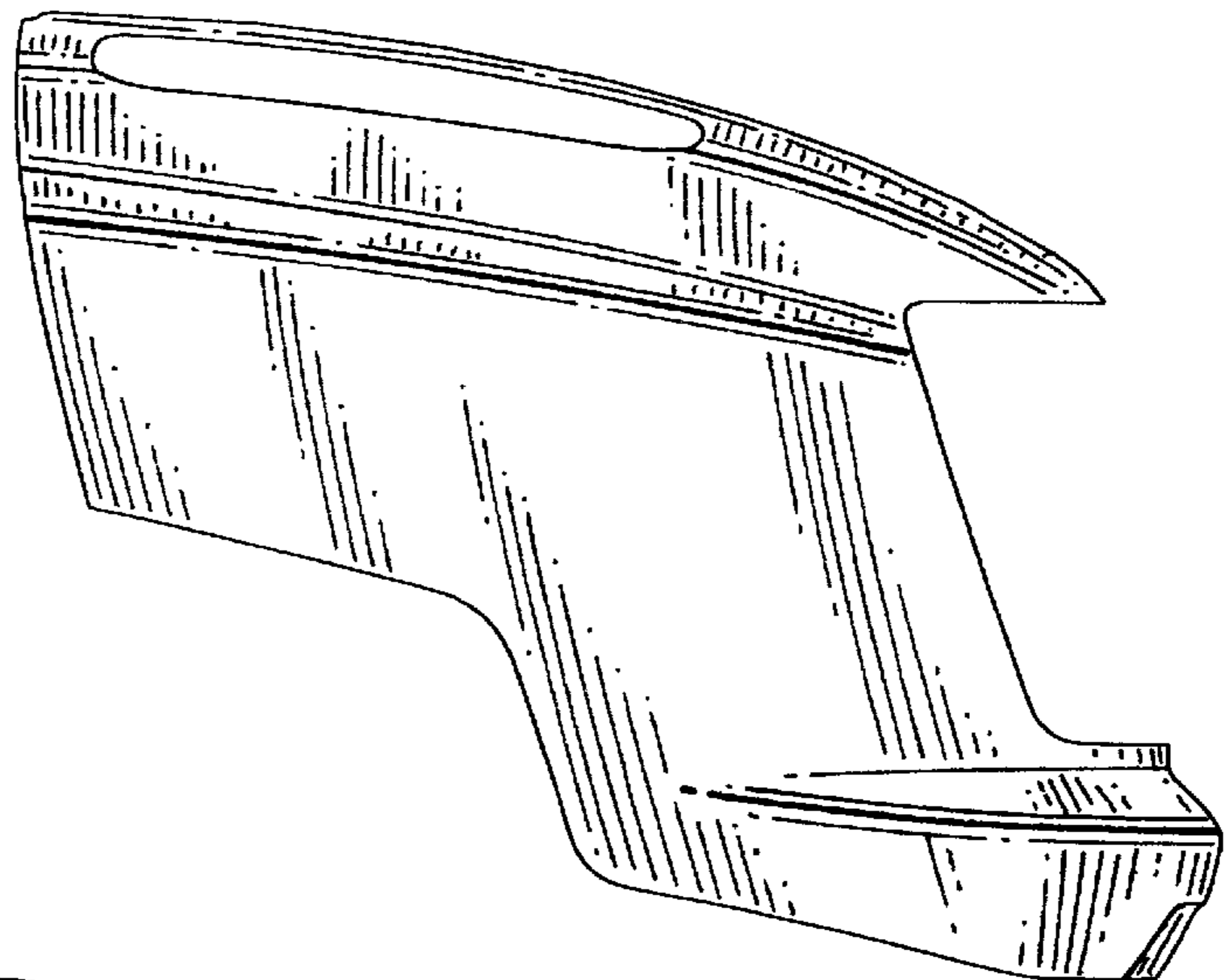


Fig. 5

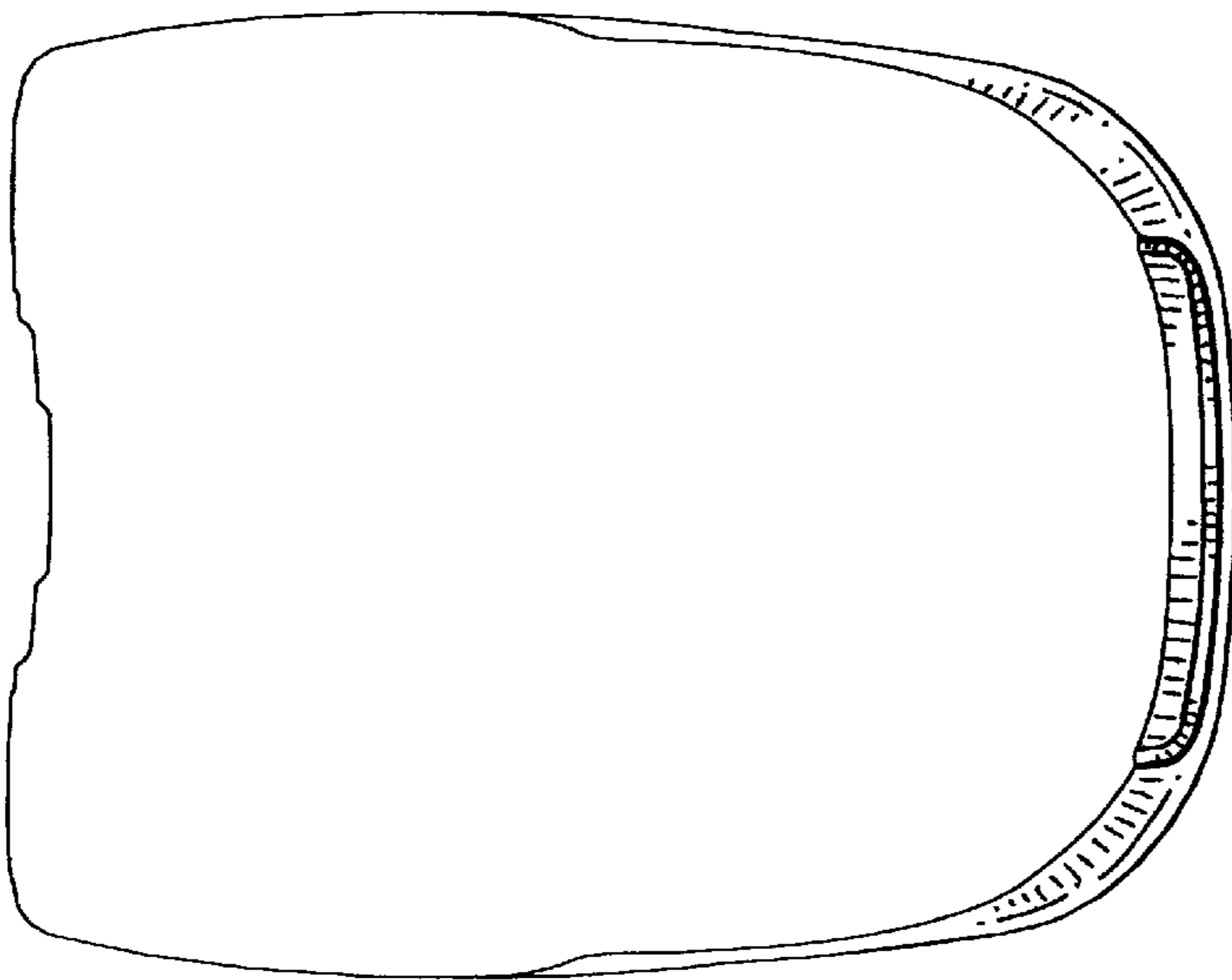


Fig. 6

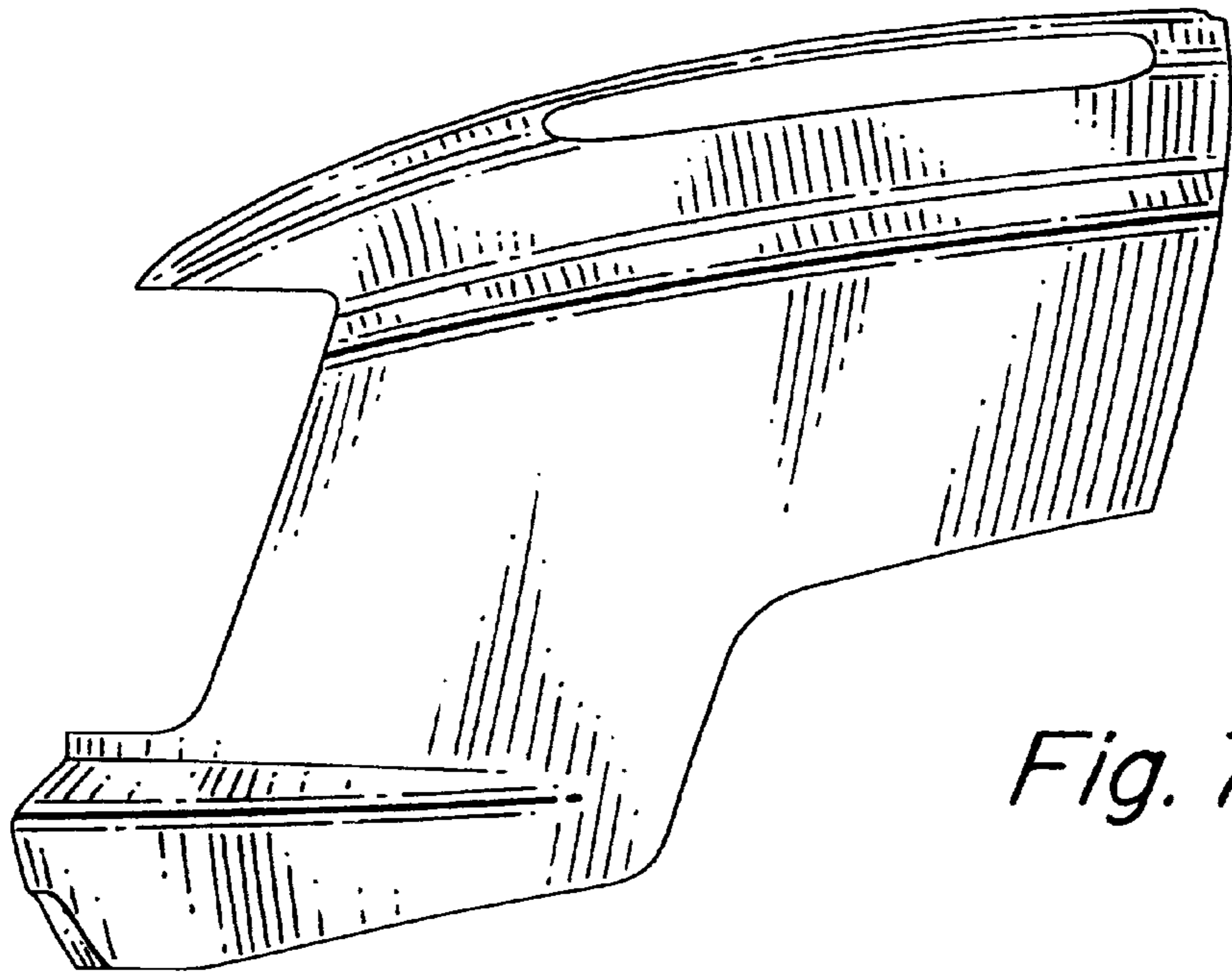


Fig. 7

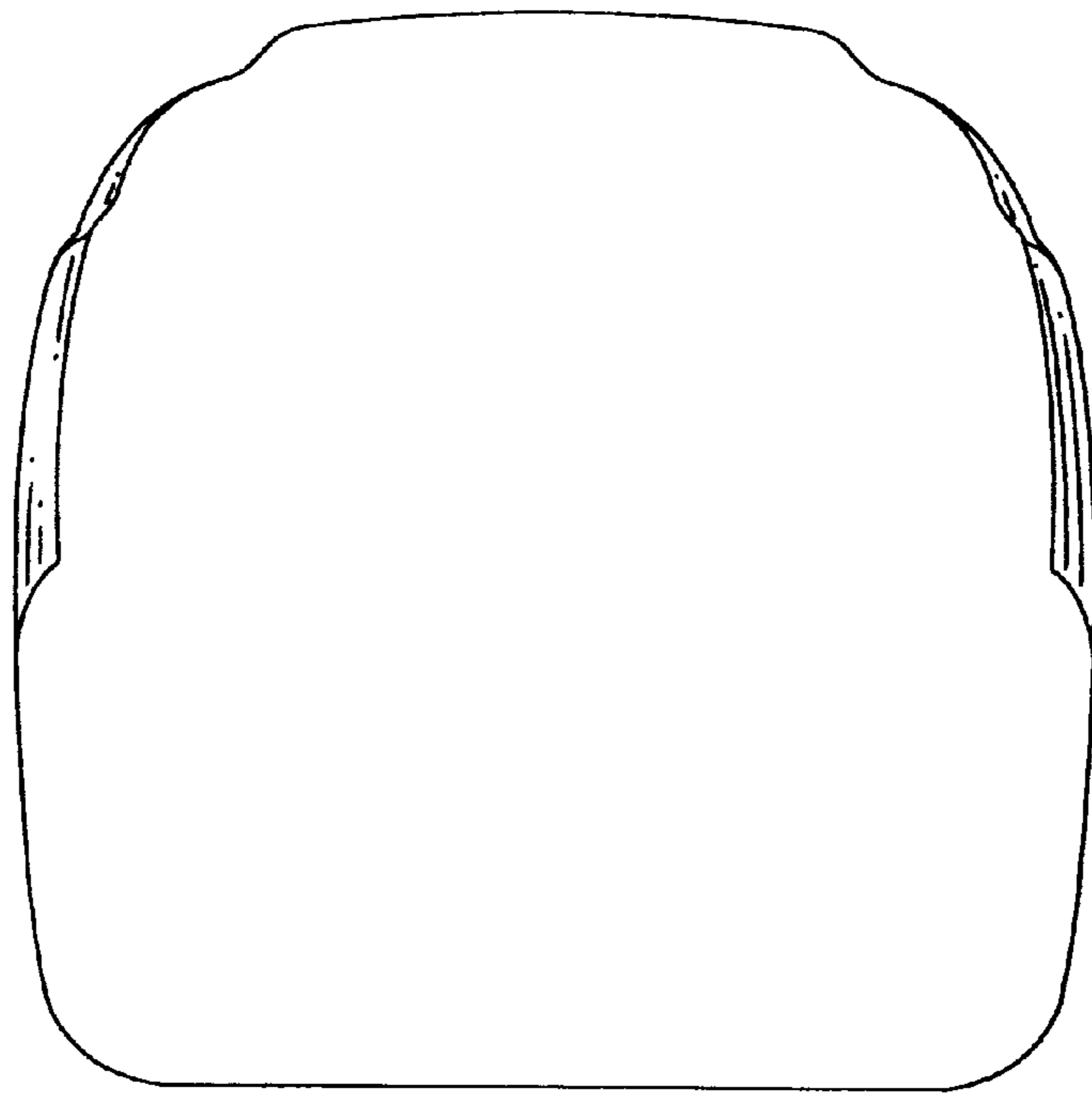


Fig. 8