



US00D466527S

(12) **United States Design Patent**
Graber et al.

(10) **Patent No.:** **US D466,527 S**

(45) **Date of Patent:** **** Dec. 3, 2002**

(54) **AIR COMPRESSOR**

(75) **Inventors:** **Tom Graber**, Yorkville, IL (US); **Paul Klimek**, New Ulm, MN (US); **Timothy W. Burford**, New Ulm, MN (US)

(73) **Assignee:** **Coleman Powermate, Inc.**, Kearney, NE (US)

(**) **Term:** **14 Years**

(21) **Appl. No.:** **29/159,736**

(22) **Filed:** **Apr. 26, 2002**

(51) **LOC (7) Cl.** **15-03**

(52) **U.S. Cl.** **D15/9**

(58) **Field of Search** D15/7-9; 417/902,
417/38, 360, 234, 87, 395, 424, 423.3,
423.9

(56) **References Cited**

U.S. PATENT DOCUMENTS

3,318,249 A * 5/1967 Lorser 417/38
4,466,780 A * 8/1984 Naurath 417/360

D286,292 S * 10/1986 Kingston D15/9
5,094,591 A * 3/1992 Whitley, II et al. 417/234
D329,650 S * 9/1992 Whitley, II D15/7
D339,143 S * 9/1993 Whitley, II D15/7
D351,602 S * 10/1994 Rosebraugh et al. D15/7
D446,220 S * 8/2001 Boughton et al. D15/7

* cited by examiner

Primary Examiner—Ralf Seifert

(74) *Attorney, Agent, or Firm*—Leydig, Voit & Mayer, Ltd.

(57) **CLAIM**

The ornamental design for an air compressor, as shown.

DESCRIPTION

FIG. 1 is a top, left, perspective view of an air compressor showing our new design;
FIG. 2 is a front view thereof;
FIG. 3 is a rear view thereof;
FIG. 4 is a right side view thereof;
FIG. 5 is a left side view thereof;
FIG. 6 is a top view thereof; and,
FIG. 7 is a bottom view thereof.

1 Claim, 4 Drawing Sheets

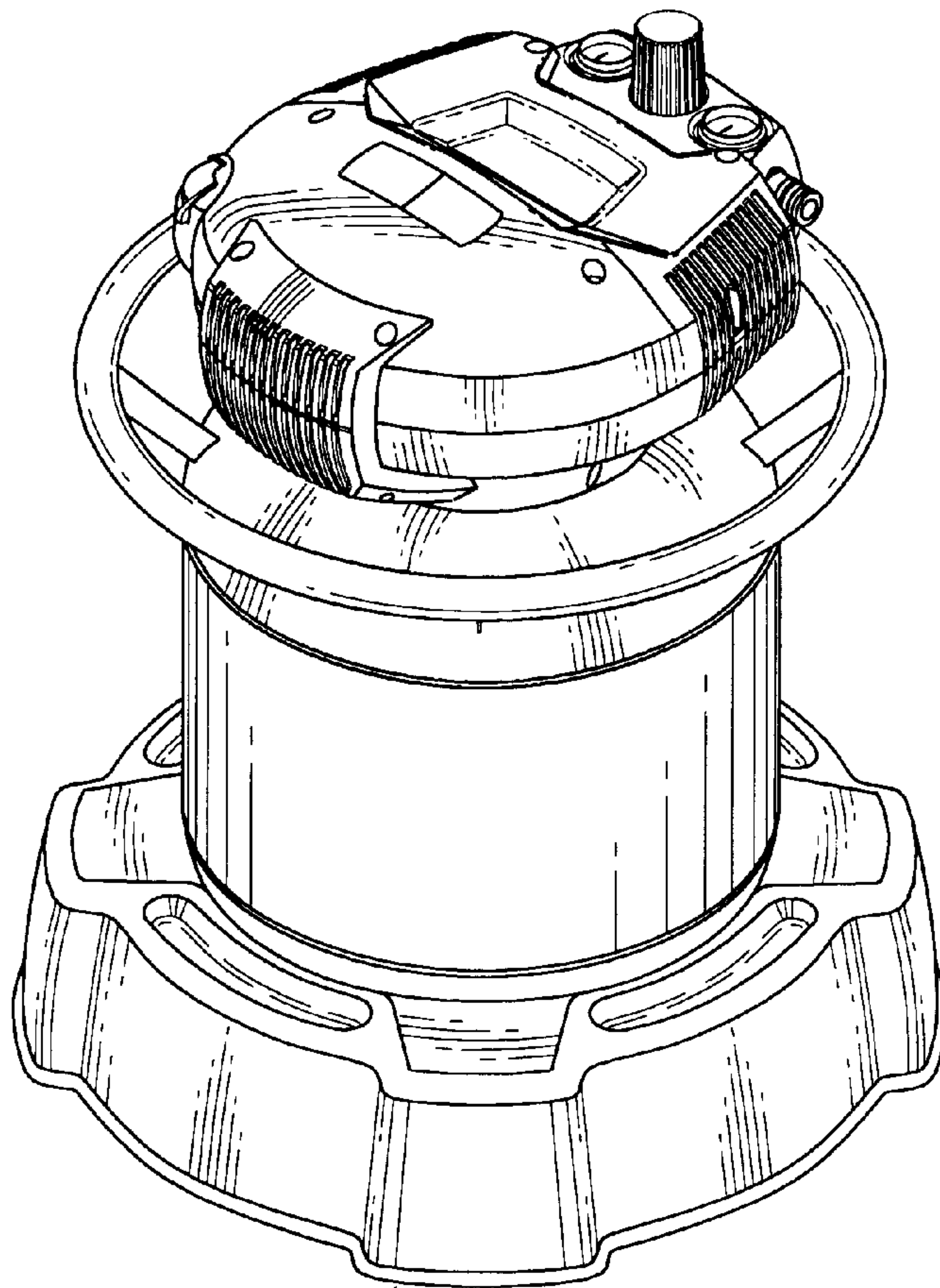


FIG. 1

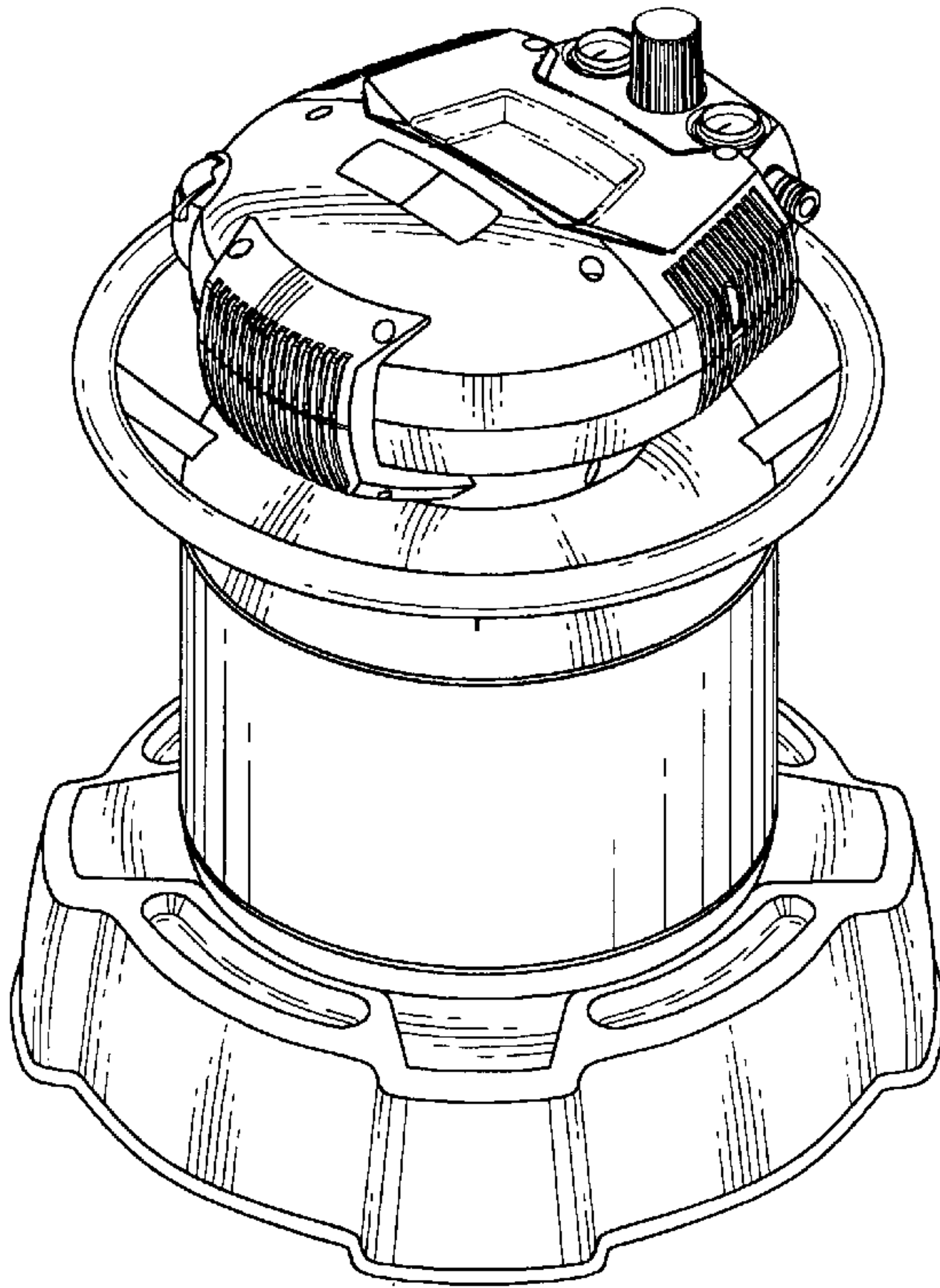


FIG. 2

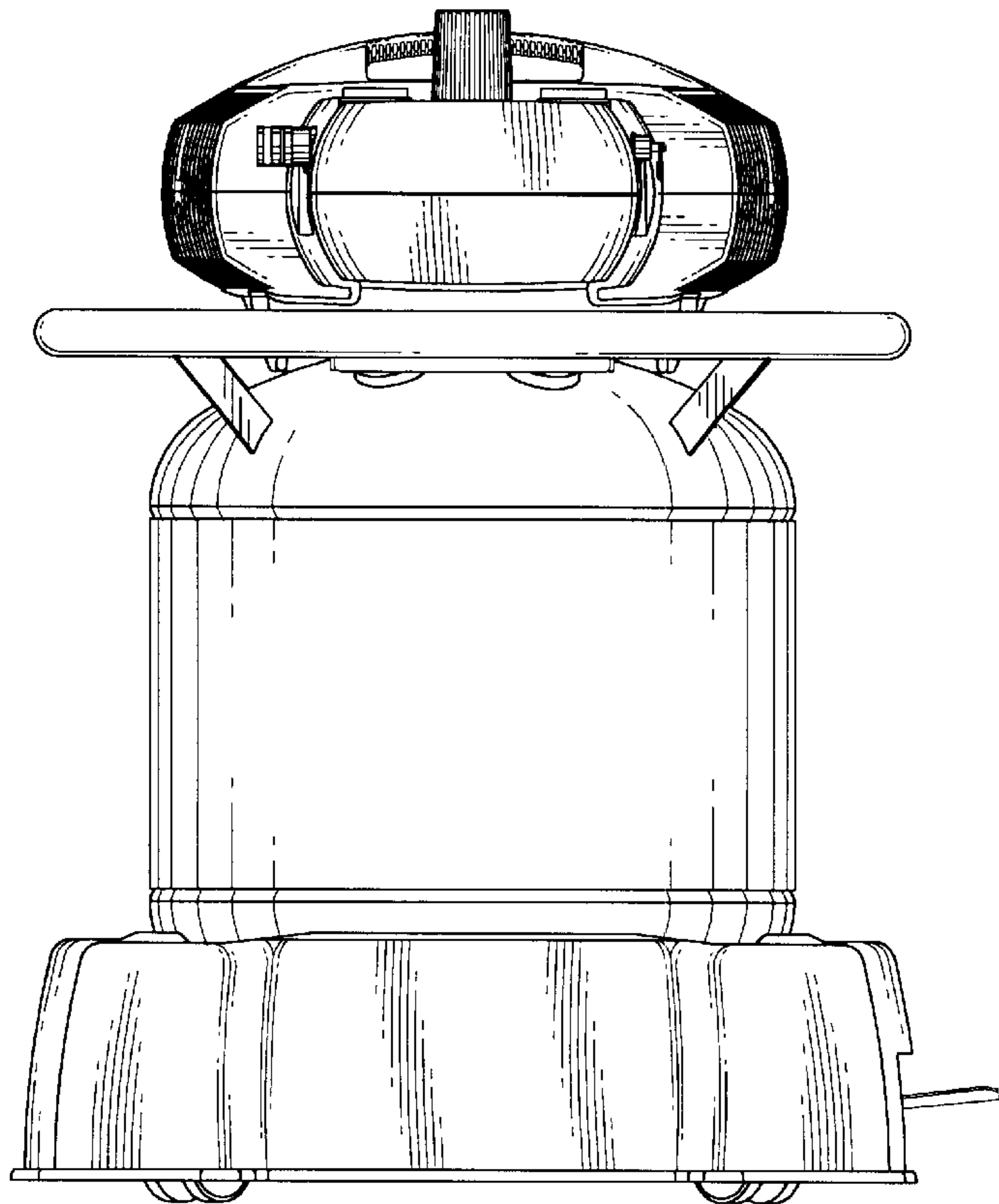


FIG. 3

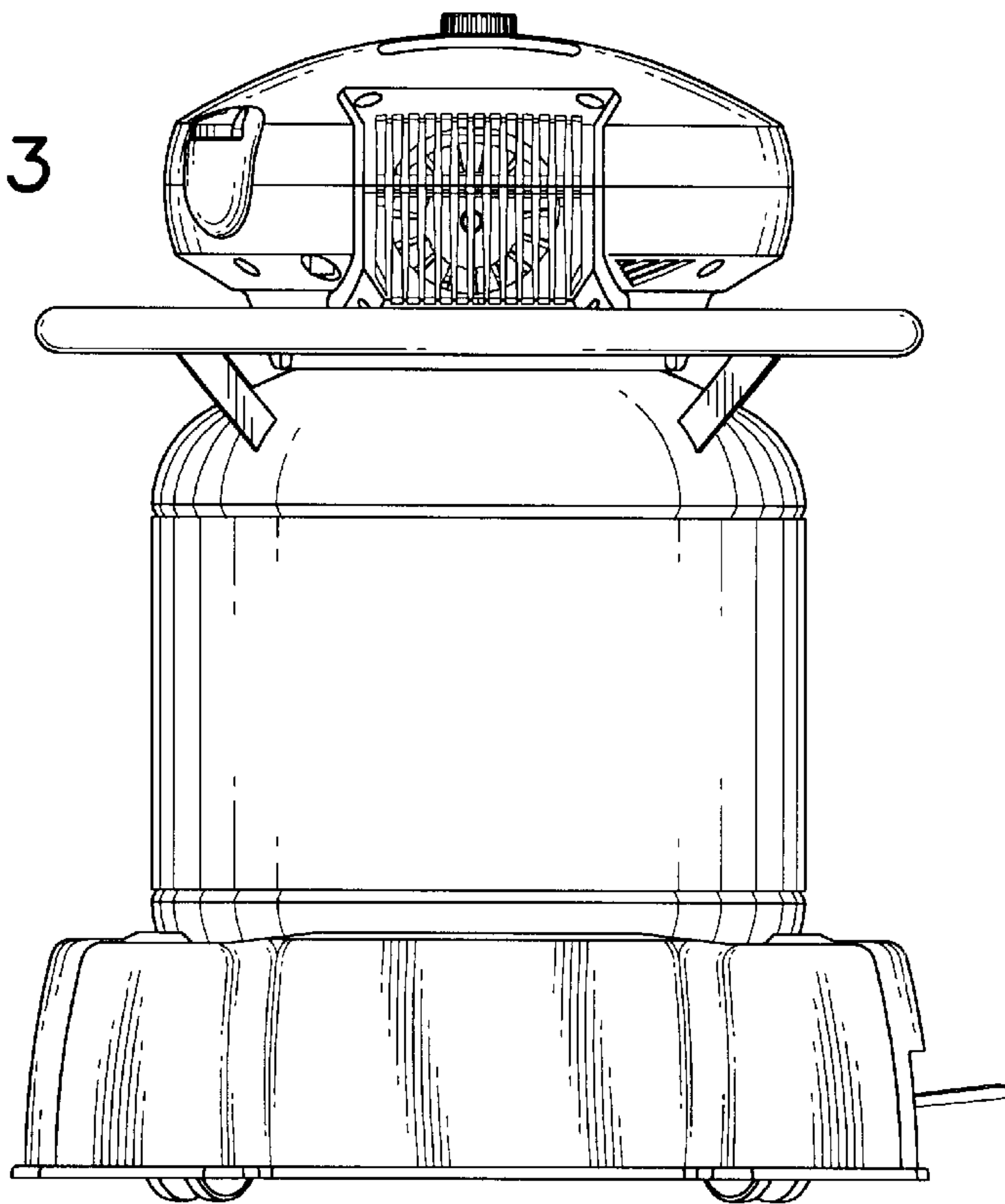


FIG. 4

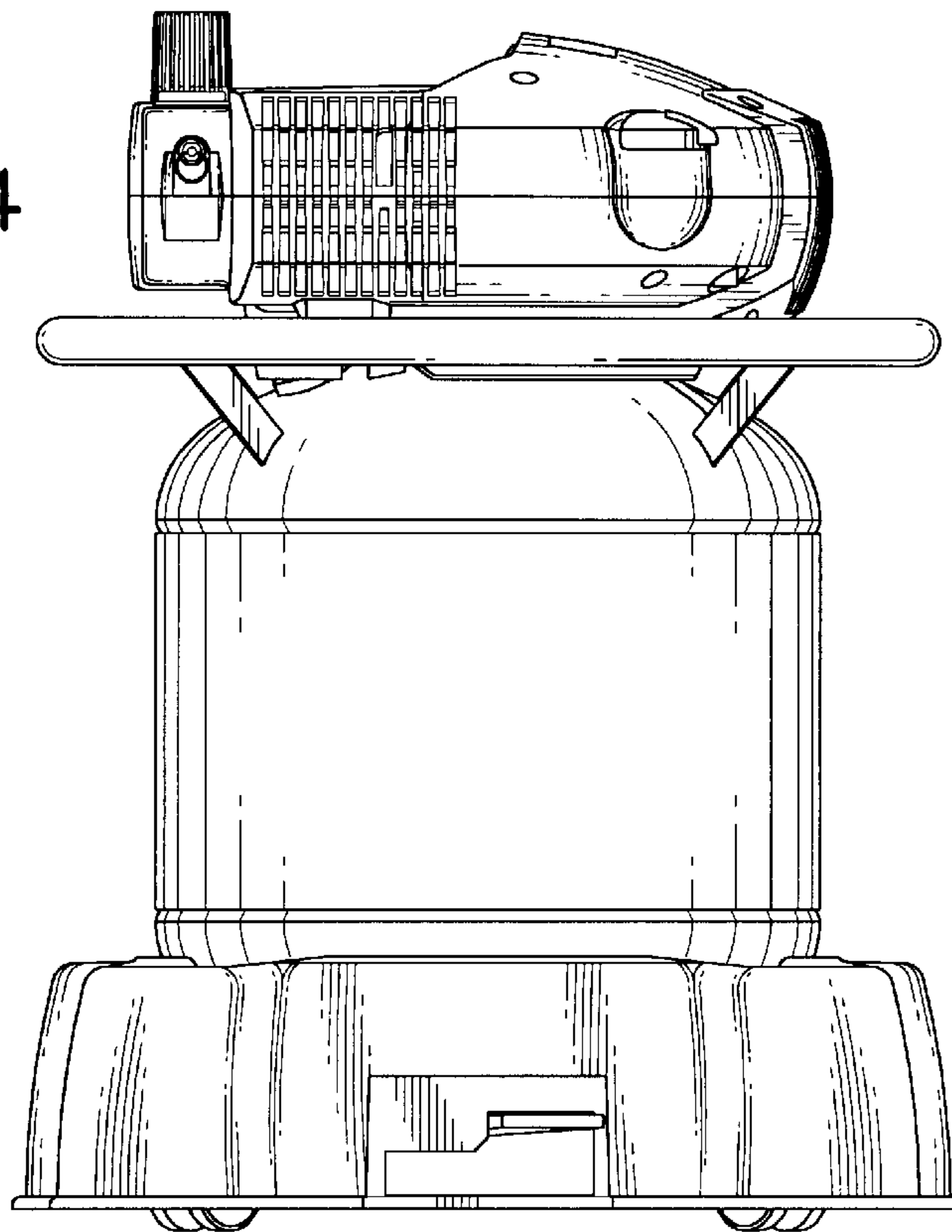


FIG. 5

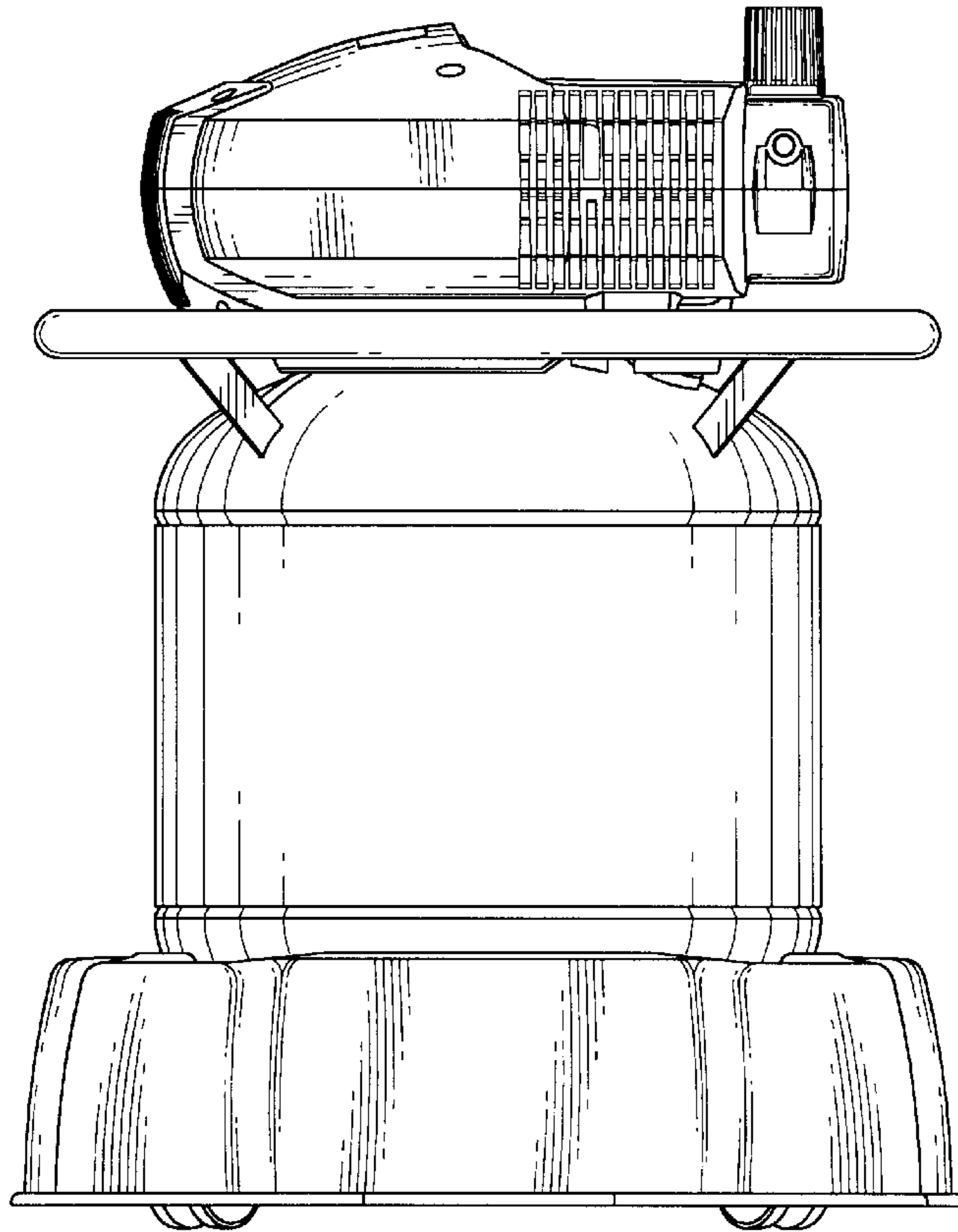


FIG. 6

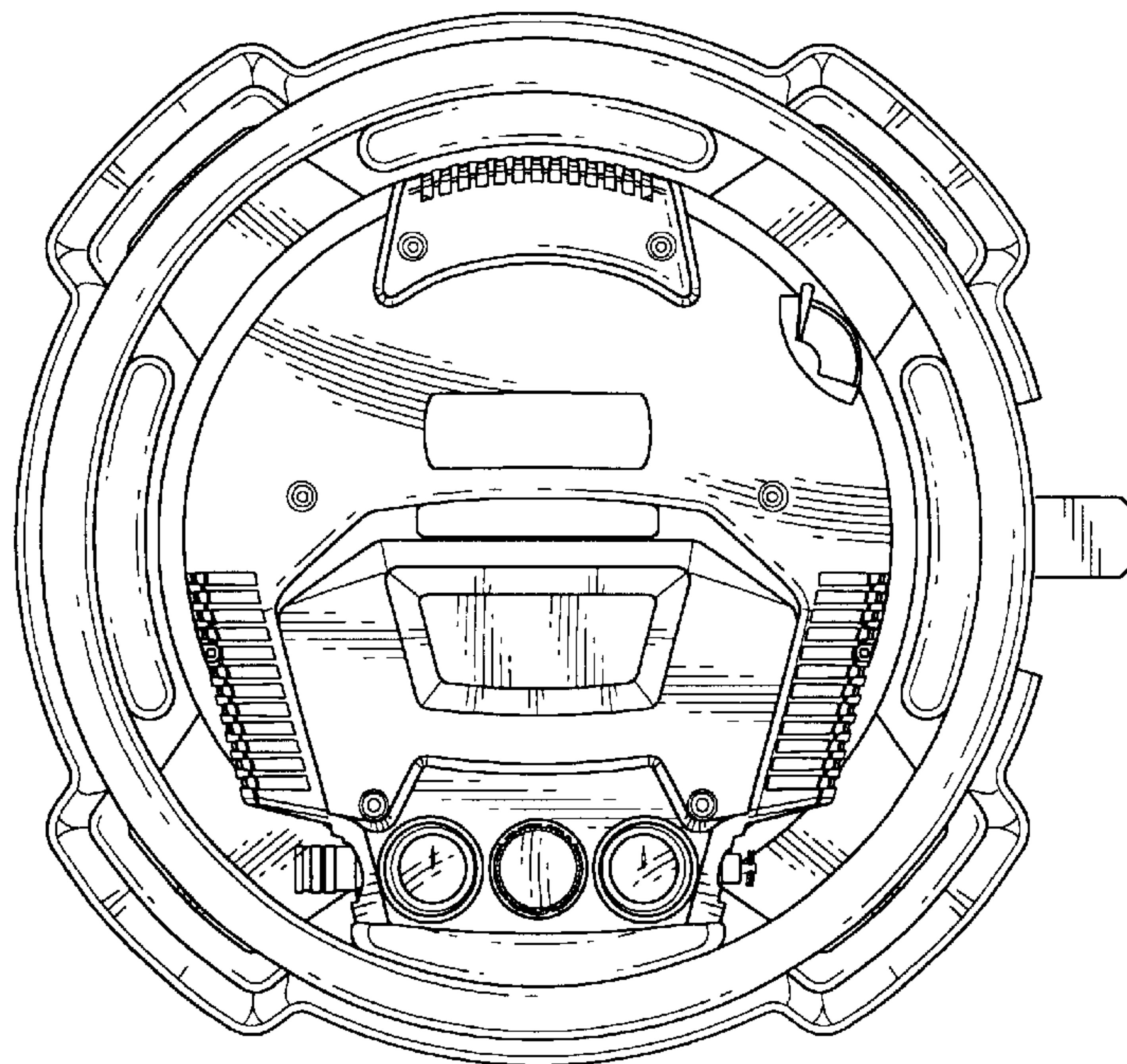


FIG. 7

