



US00D466526S

(12) **United States Design Patent**
Fujii et al.

(10) **Patent No.:** **US D466,526 S**

(45) **Date of Patent:** **** Dec. 3, 2002**

(54) **COMPRESSOR FOR AIR CONDITIONERS OF VEHICLES**

U.S. patent application Ser. No. 29/133,728, Kanou et al., filed on Dec. 6, 2000.*

(75) Inventors: **Masahiko Fujii**, Isesaki (JP); **Hiromi Kobori**, Isesaki (JP)

* cited by examiner

(73) Assignee: **Sanden Corporation**, Gunma (JP)

Primary Examiner—Ralf Seifert

(74) *Attorney, Agent, or Firm*—Baker Botts L.L.P.

(**) Term: **14 Years**

(21) Appl. No.: **29/158,236**

(22) Filed: **Apr. 2, 2002**

(30) **Foreign Application Priority Data**

Oct. 3, 2001 (JP) 2001-032839

(51) **LOC (7) Cl.** **15-03**

(52) **U.S. Cl.** **D15/9**

(58) **Field of Search** D15/7-9; D23/354, D23/325, 163, 363; 418/259; 417/359, 415, 410.3, 534, 215, 222.1, 269

(56) **References Cited**

U.S. PATENT DOCUMENTS

D381,340 S	*	7/1997	Takenaka et al.	D15/9
D381,993 S	*	8/1997	Takenaka et al.	D15/9
D429,738 S	*	8/2000	Kayukawa et al.	D15/9
D435,856 S	*	1/2001	Kato	D15/9
D440,232 S	*	4/2001	Kou		
D456,423 S	*	4/2002	Kanou et al.	D15/9

OTHER PUBLICATIONS

U.S. patent application Ser. No. 29/154,917, Saito, filed on Feb. 4, 2002.*

U.S. patent application Ser. No. 29/146,657, Fujita et al., filed on Aug. 15, 2001.*

(57) **CLAIM**

The ornamental design for a compressor for air conditioners of vehicles, as described in the foregoing specification and as shown in the accompanying figures.

DESCRIPTION

FIG. 1 is a front view of a compressor for air conditioners of vehicles, according to a design of the present invention.

FIG. 2 is a rear view of the compressor for air conditioners of vehicles of FIG. 1.

FIG. 3 is a right side view of the compressor for air conditioners of vehicles of FIG. 1.

FIG. 4 is a left side view of the compressor for air conditioners of vehicles of FIG. 1.

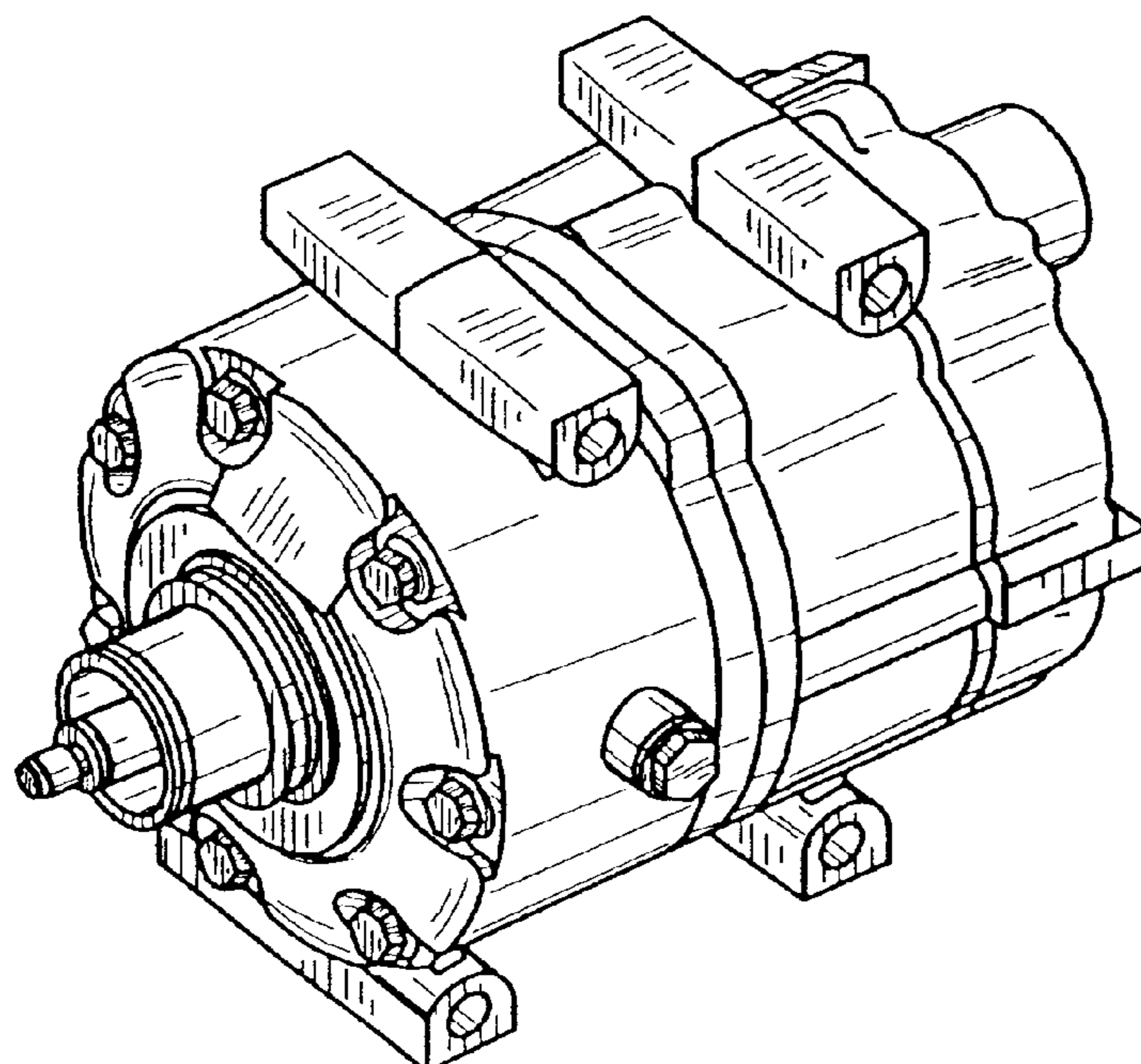
FIG. 5 is a top view of the compressor for air conditioners of vehicles of FIG. 1.

FIG. 6 is a bottom view of the compressor for air conditioners of vehicles of FIG. 1.

FIG. 7 is a front perspective view of the compressor for air conditioners of vehicles of FIG. 1; and,

FIG. 8 is a rear perspective view of the compressor for air conditioners of vehicles of FIG. 1.

1 Claim, 4 Drawing Sheets



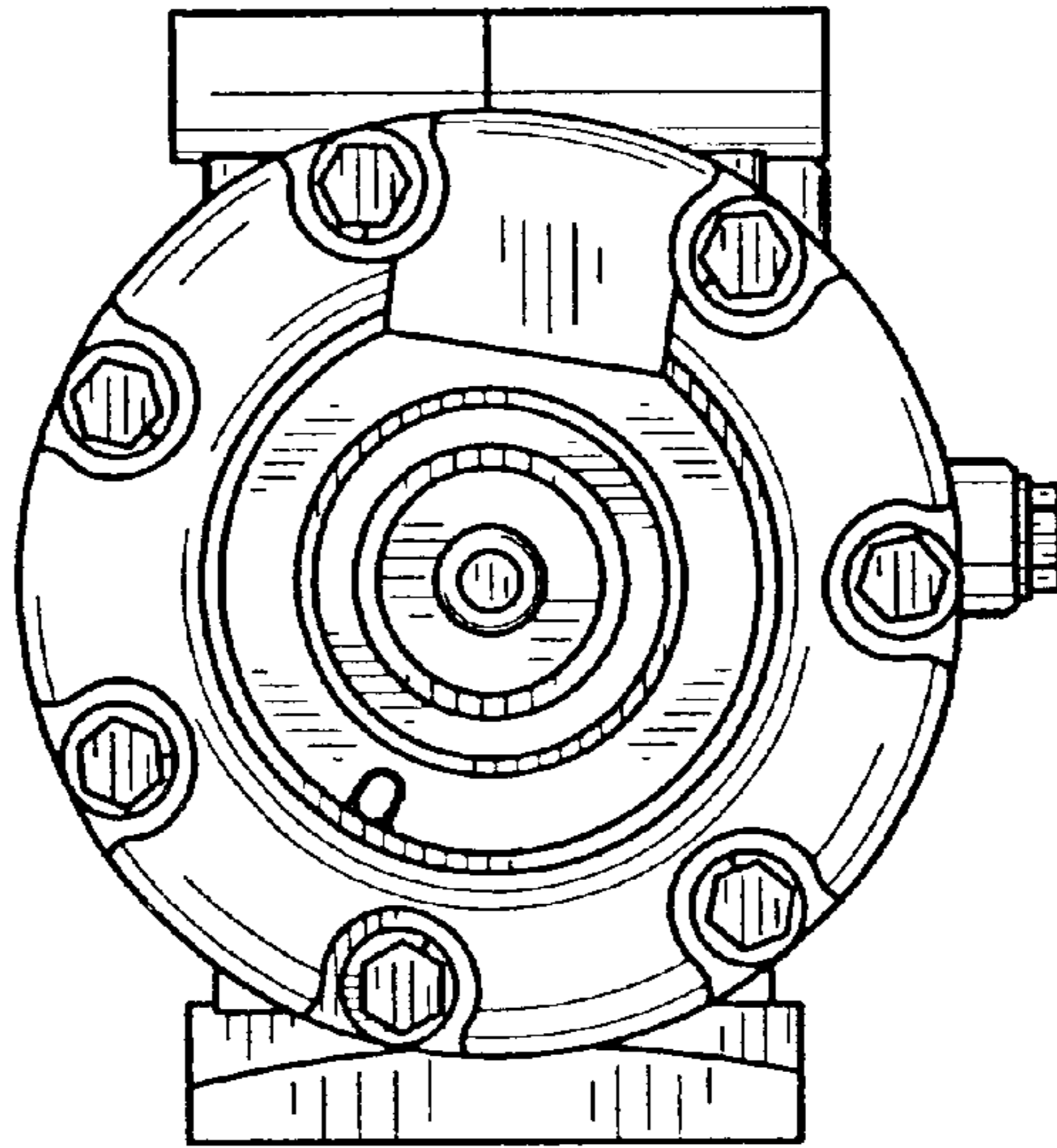


FIG. 1

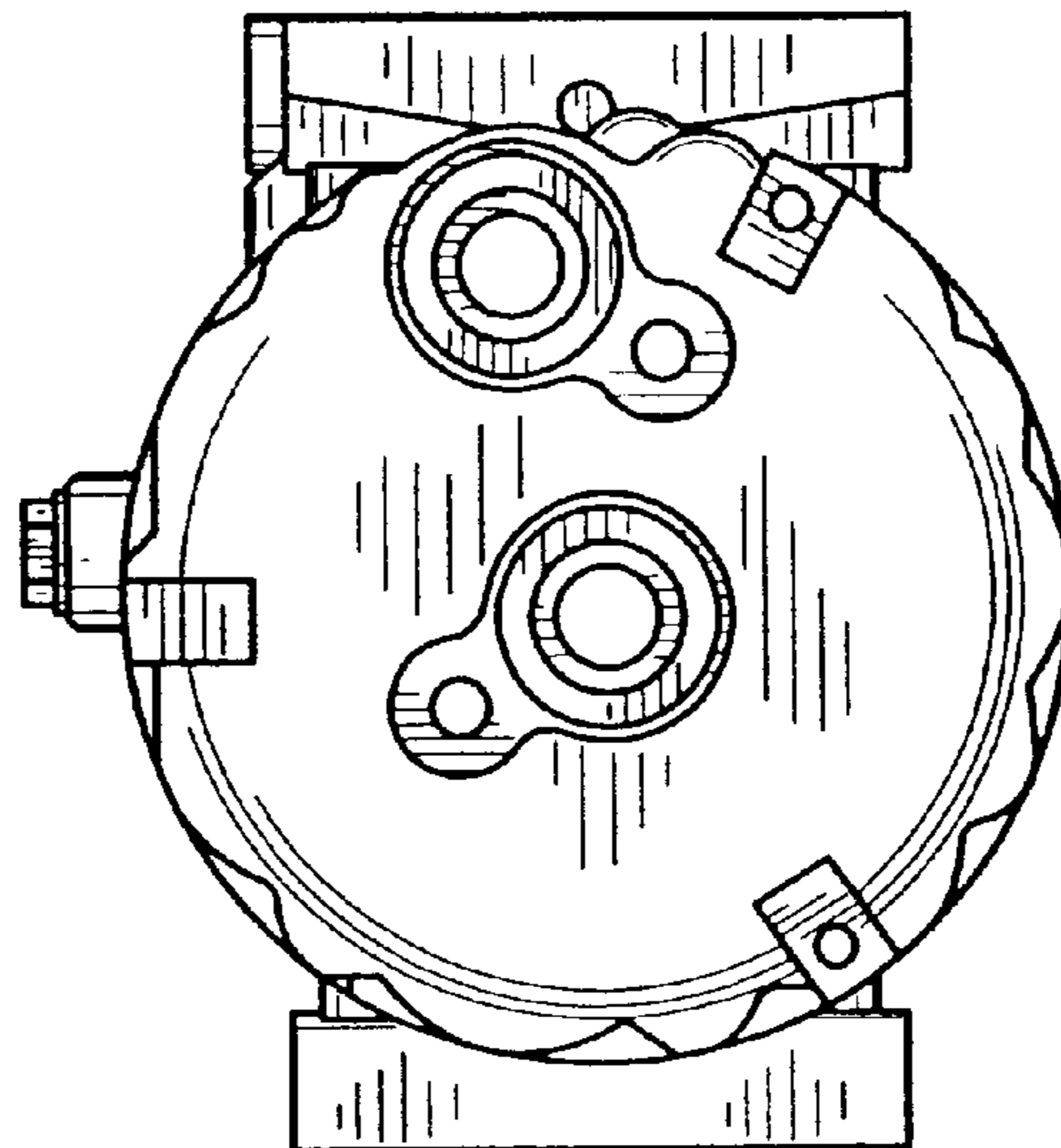


FIG. 2

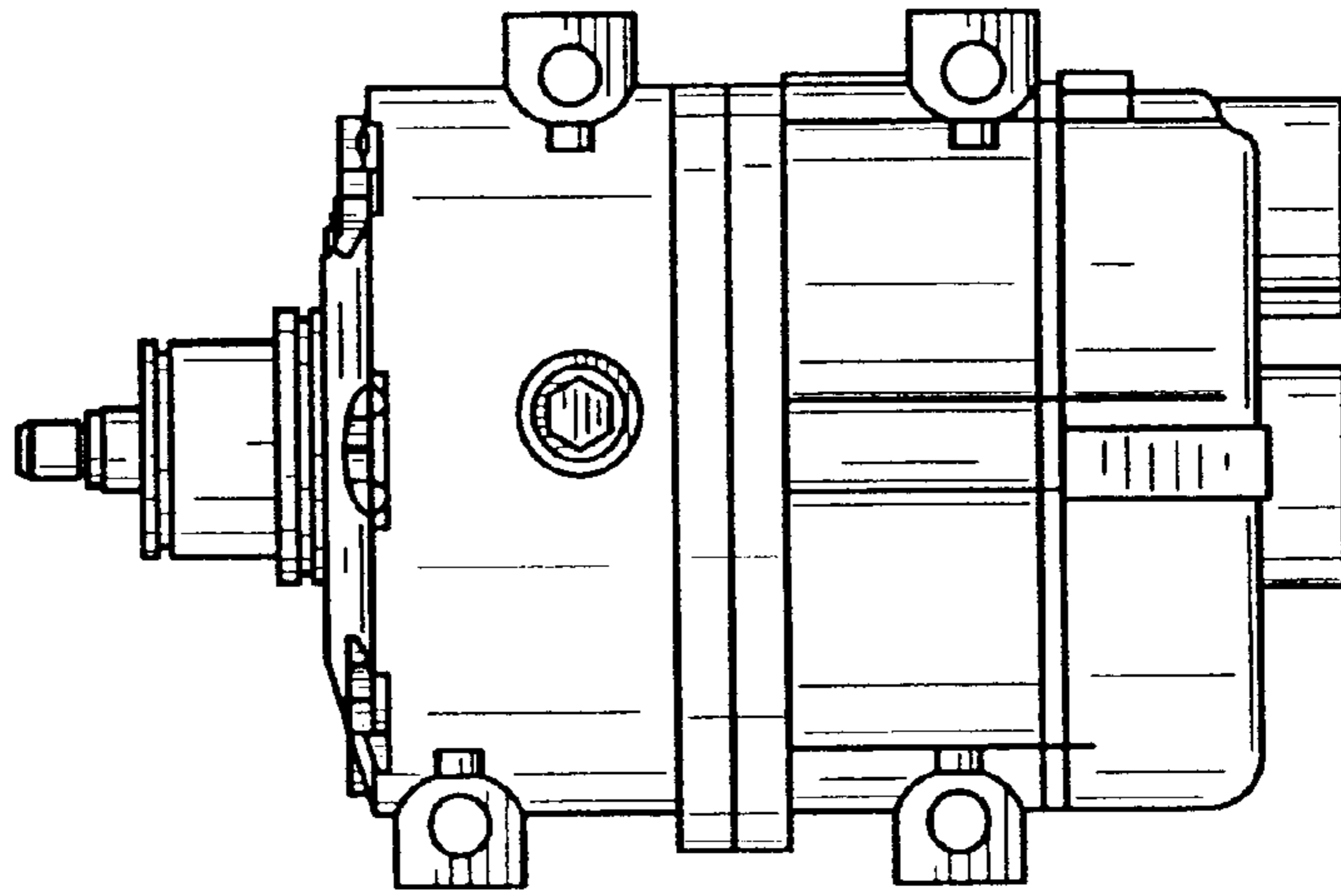


FIG. 3

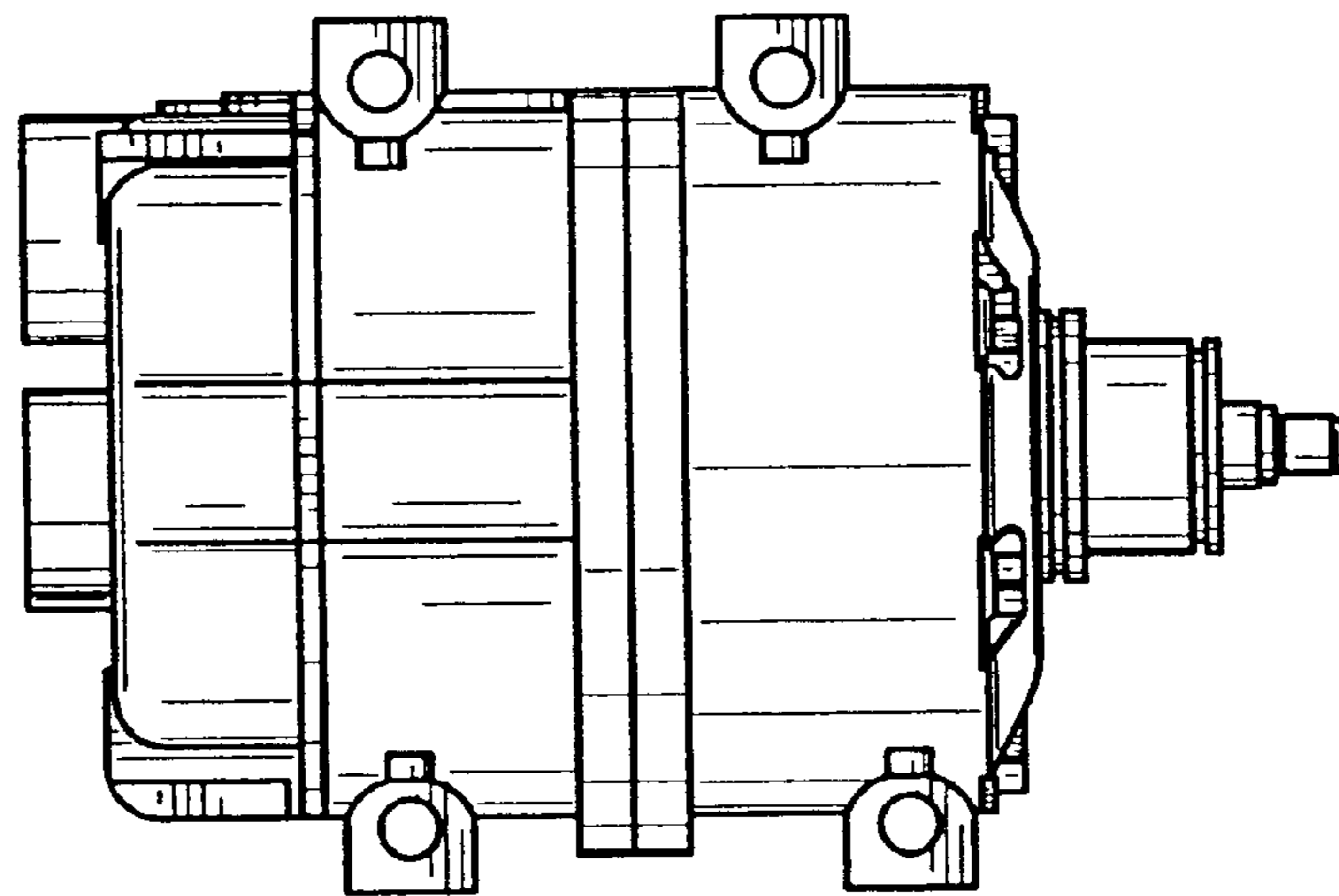


FIG. 4

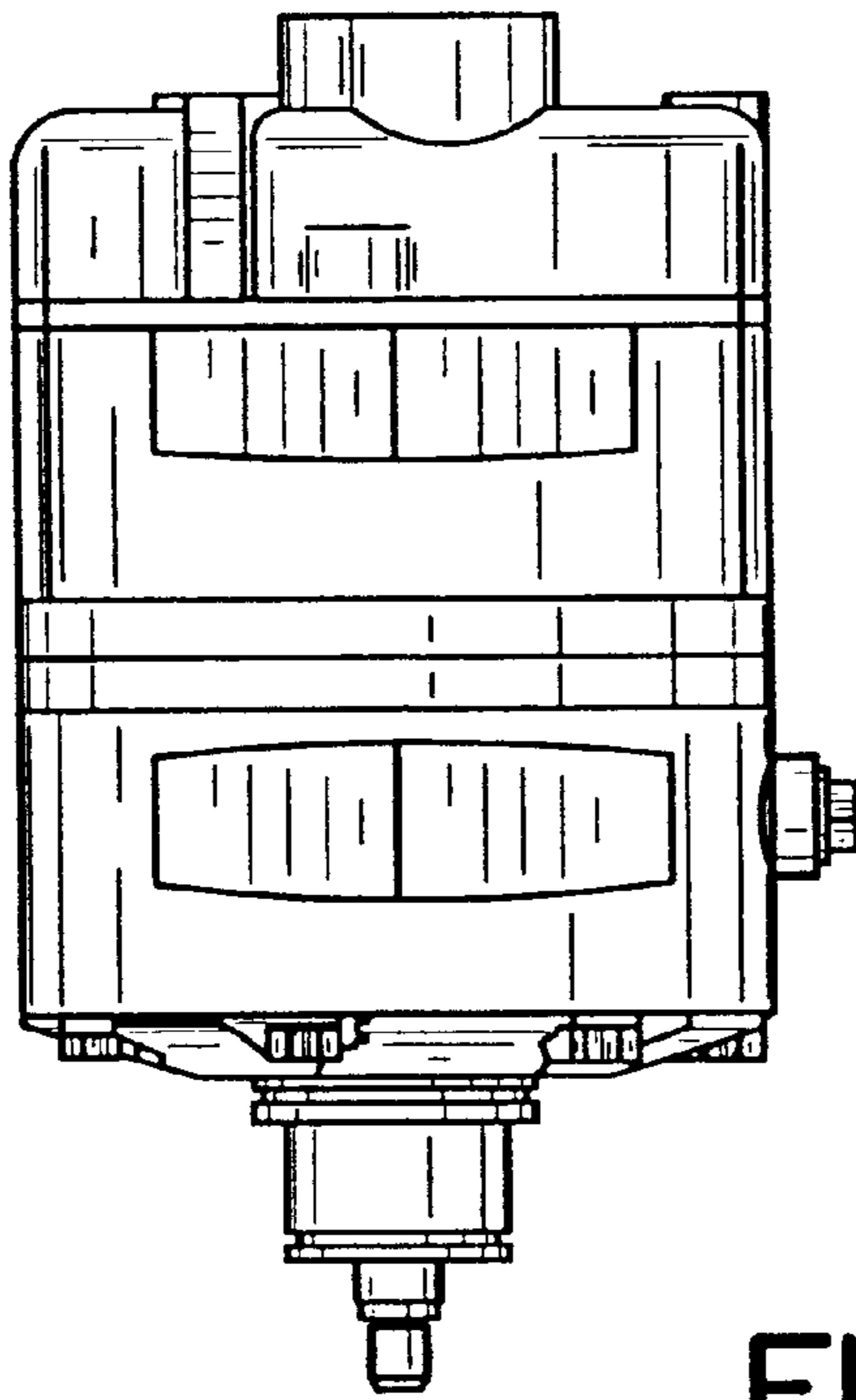


FIG. 5

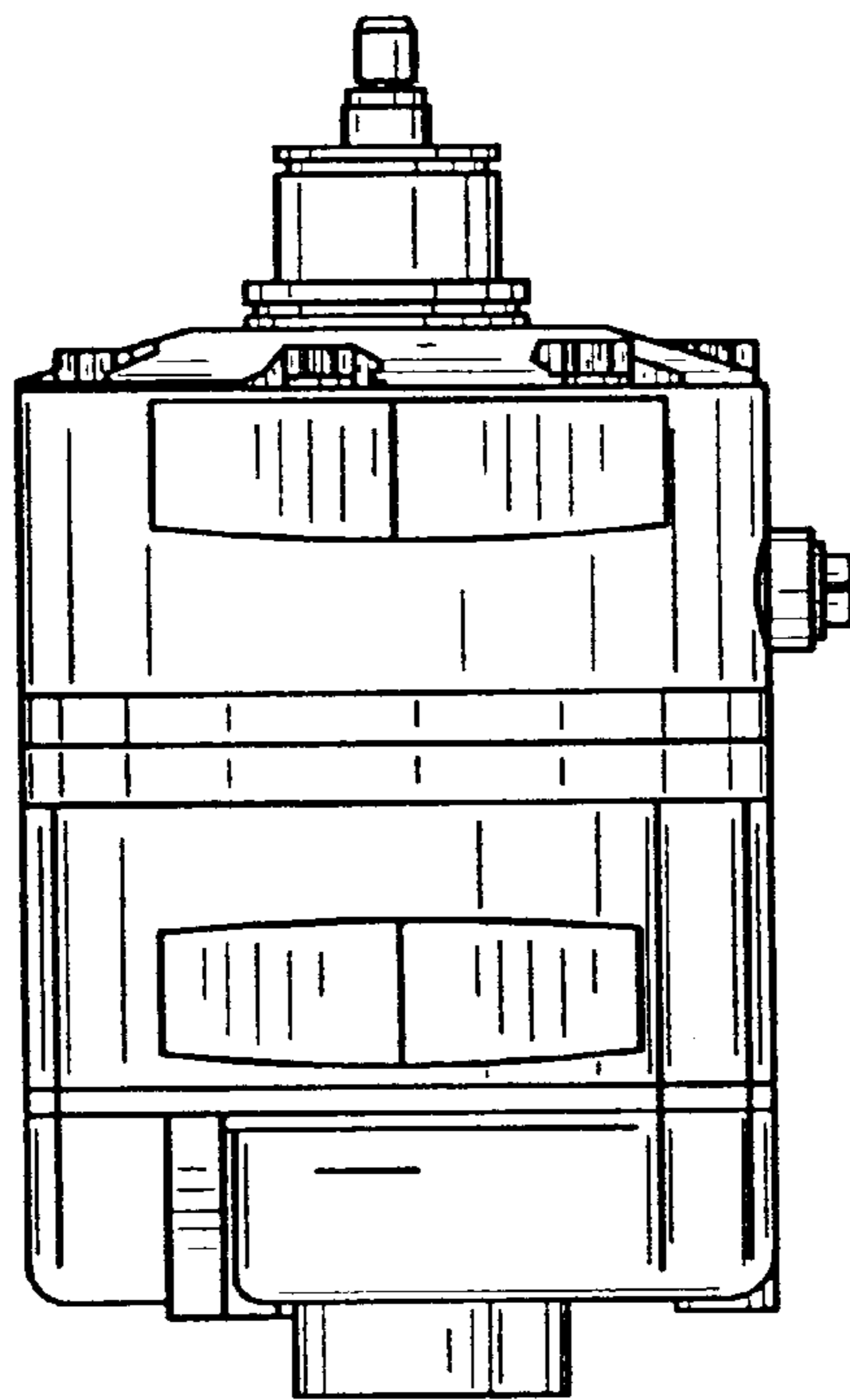


FIG. 6

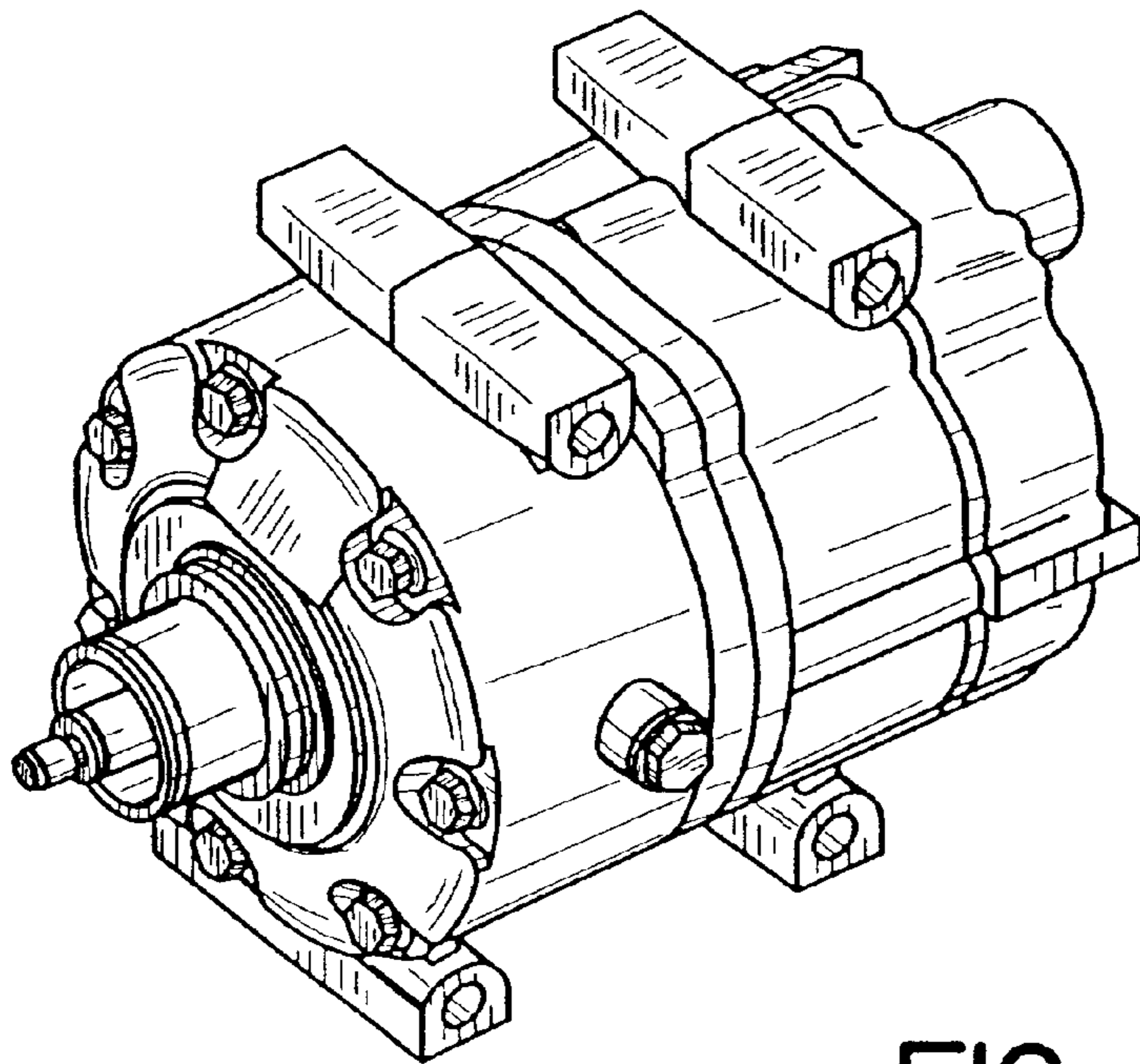


FIG. 7

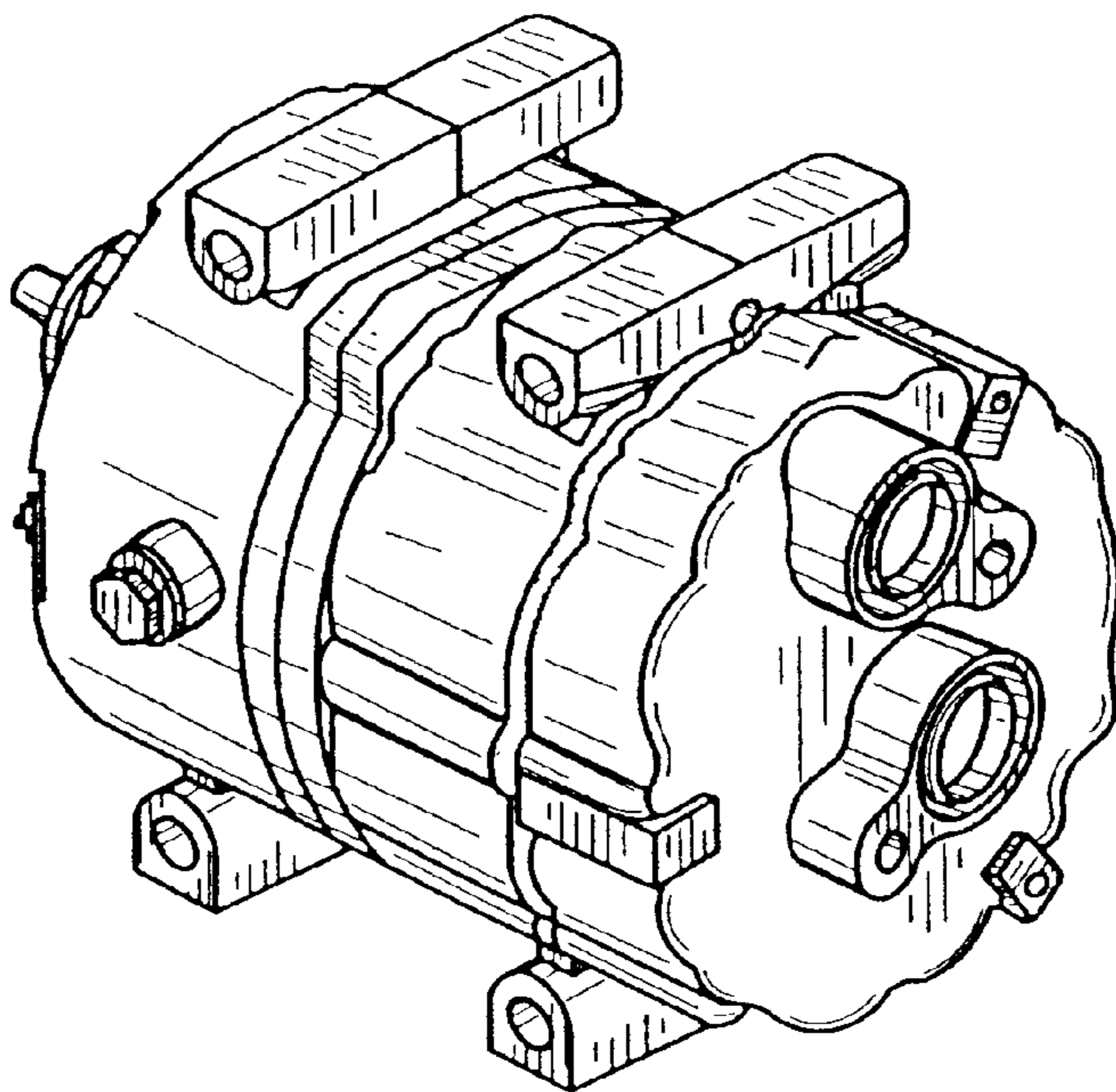


FIG. 8