



US00D466524S

(12) **United States Design Patent**  
**Makino et al.**

(10) **Patent No.:** **US D466,524 S**

(45) **Date of Patent:** **\*\* Dec. 3, 2002**

(54) **ELECTRIC DRIVEN COMPRESSOR**

(75) Inventors: **Masahiko Makino**, Shiga (JP);  
**Yoshifumi Abe**, Shiga (JP); **Tsutomu Sakurabayashi**, Osaka (JP)

(73) Assignee: **Matsushita Electric Industrial Co., Ltd.**, Osaka (JP)

(\*\*) Term: **14 Years**

(21) Appl. No.: **29/156,250**

(22) Filed: **Feb. 26, 2002**

(30) **Foreign Application Priority Data**

Aug. 31, 2001 (JP) ..... 2001-025678

(51) **LOC (7) Cl.** ..... **15-02**

(52) **U.S. Cl.** ..... **D15/9**

(58) **Field of Search** ..... D15/7-9; 417/359,  
417/360, 410.3, 415, 534; 418/259; 248/635,  
638; D23/163, 325, 354

(56) **References Cited**

**U.S. PATENT DOCUMENTS**

4,938,448 A \* 7/1990 Shimazaki ..... 248/635

D435,856 S \* 1/2001 Kato ..... D15/9

D440,232 S 4/2001 Kou

D441,378 S 5/2001 Kou

D446,221 S \* 8/2001 Kanou et al. .... D15/9

\* cited by examiner

*Primary Examiner*—Ralf Seifert

(74) *Attorney, Agent, or Firm*—Christensen O'Connor Johnson Kindness PLLC

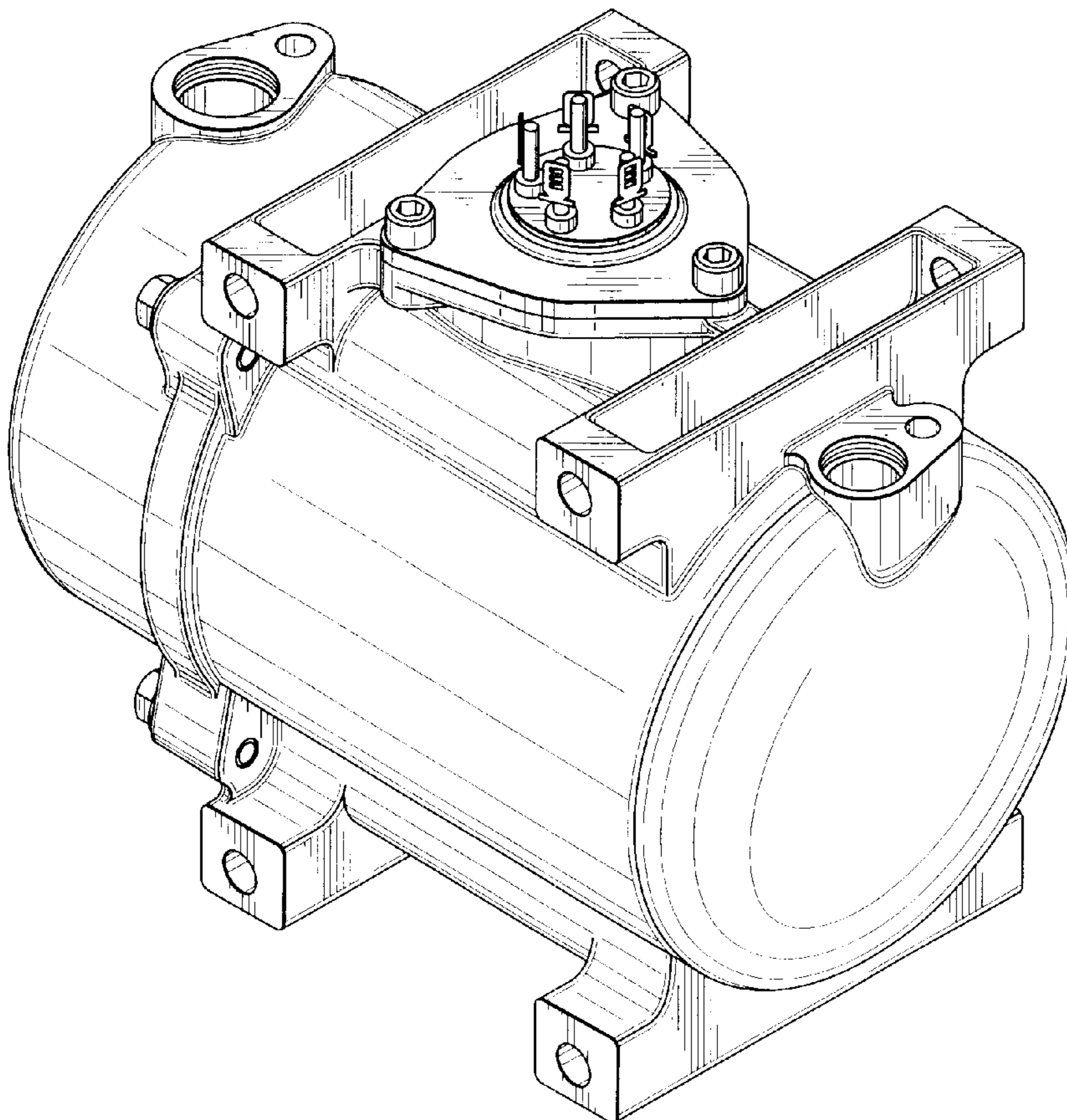
(57) **CLAIM**

The ornamental design for an electric driven compressor, as shown and described.

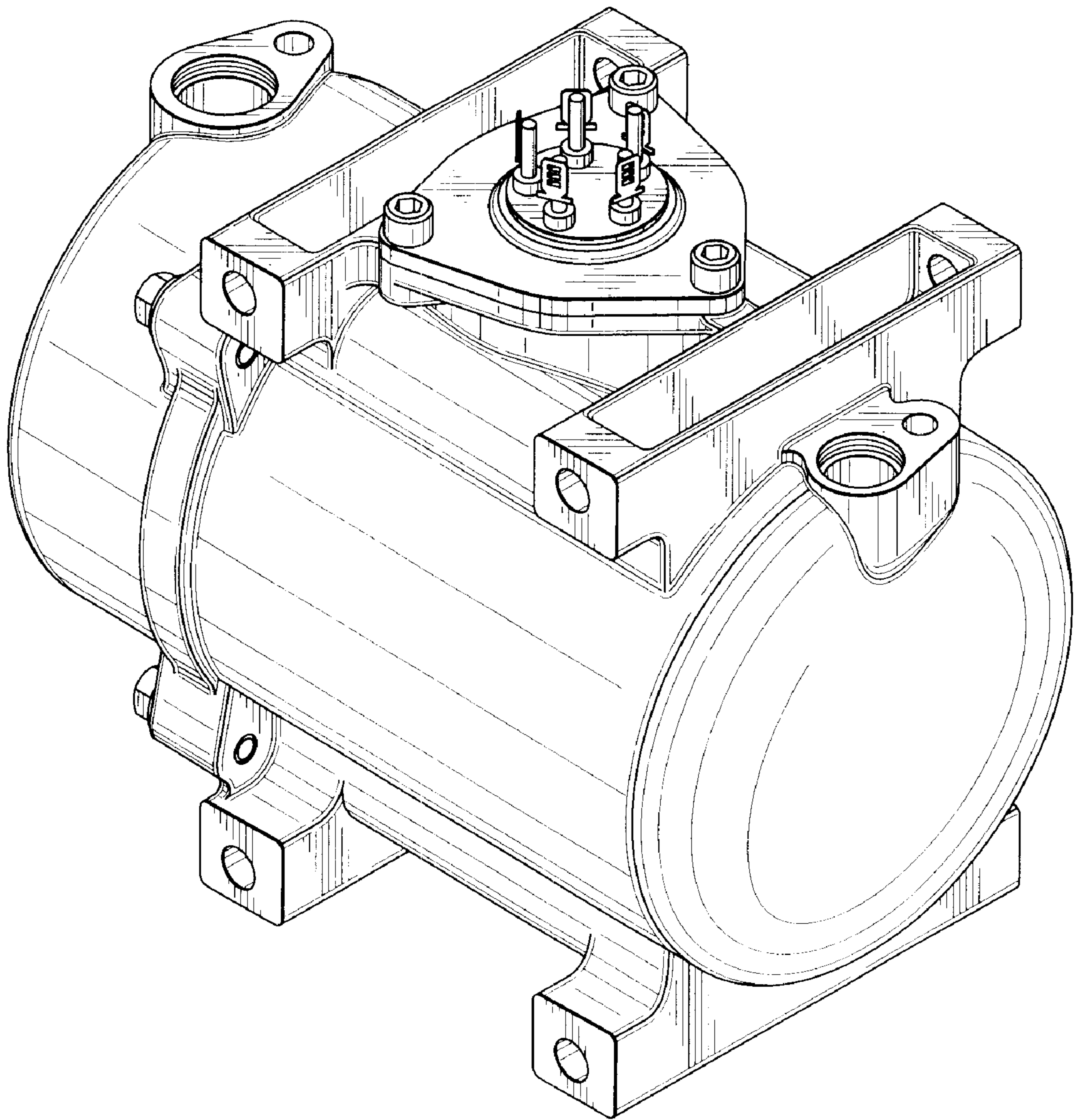
**DESCRIPTION**

FIG. 1 is a perspective view of the top, front and right side of an electric driven compressor showing our new design; FIG. 2 is a top plan view thereof; FIG. 3 is a front view thereof; FIG. 4 is a left side view thereof; FIG. 5 is a right side view thereof; FIG. 6 is a rear view thereof; and, FIG. 7 is a bottom view thereof.

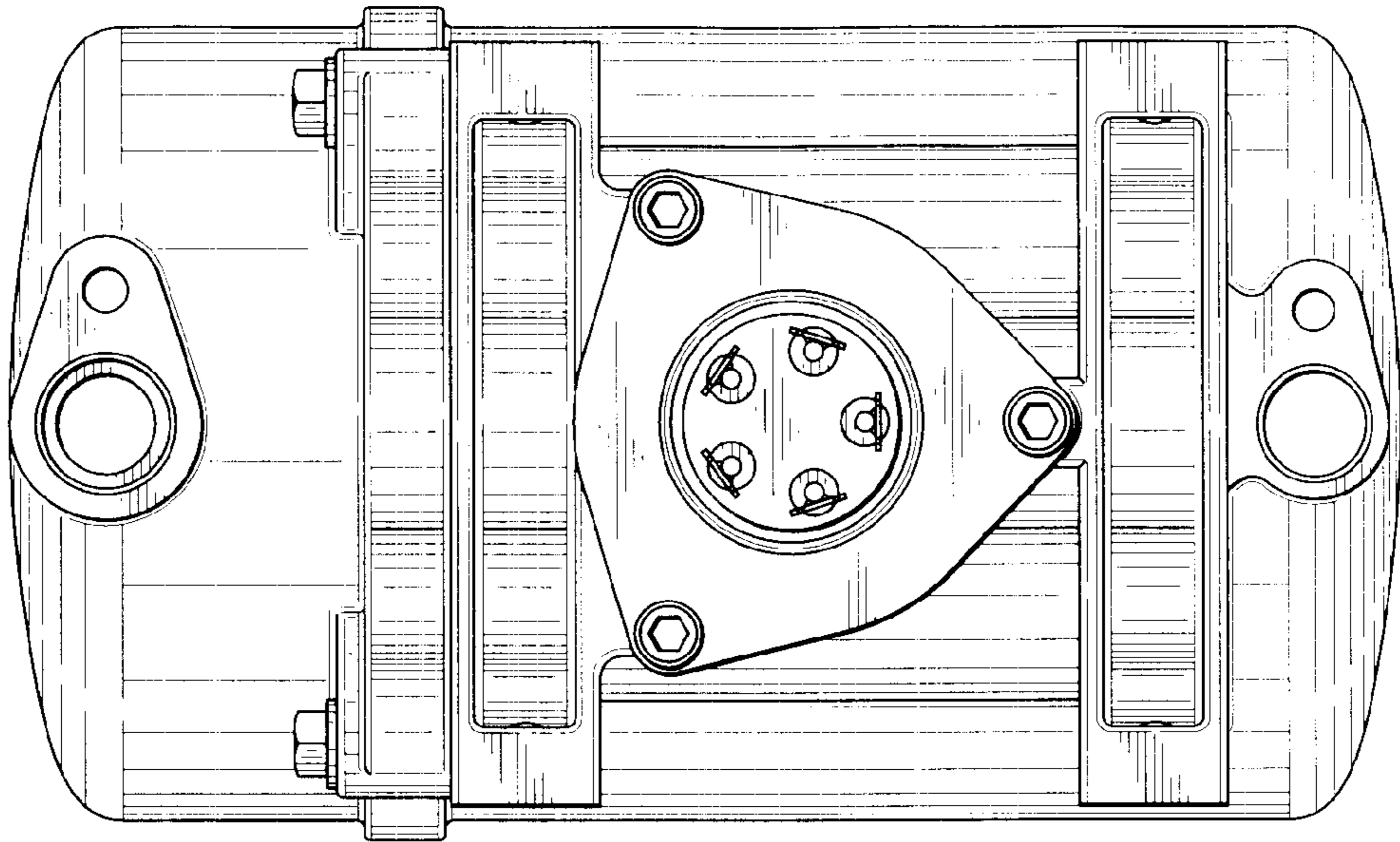
**1 Claim, 4 Drawing Sheets**



*FIG. 1*



*FIG. 2*



*FIG. 3*

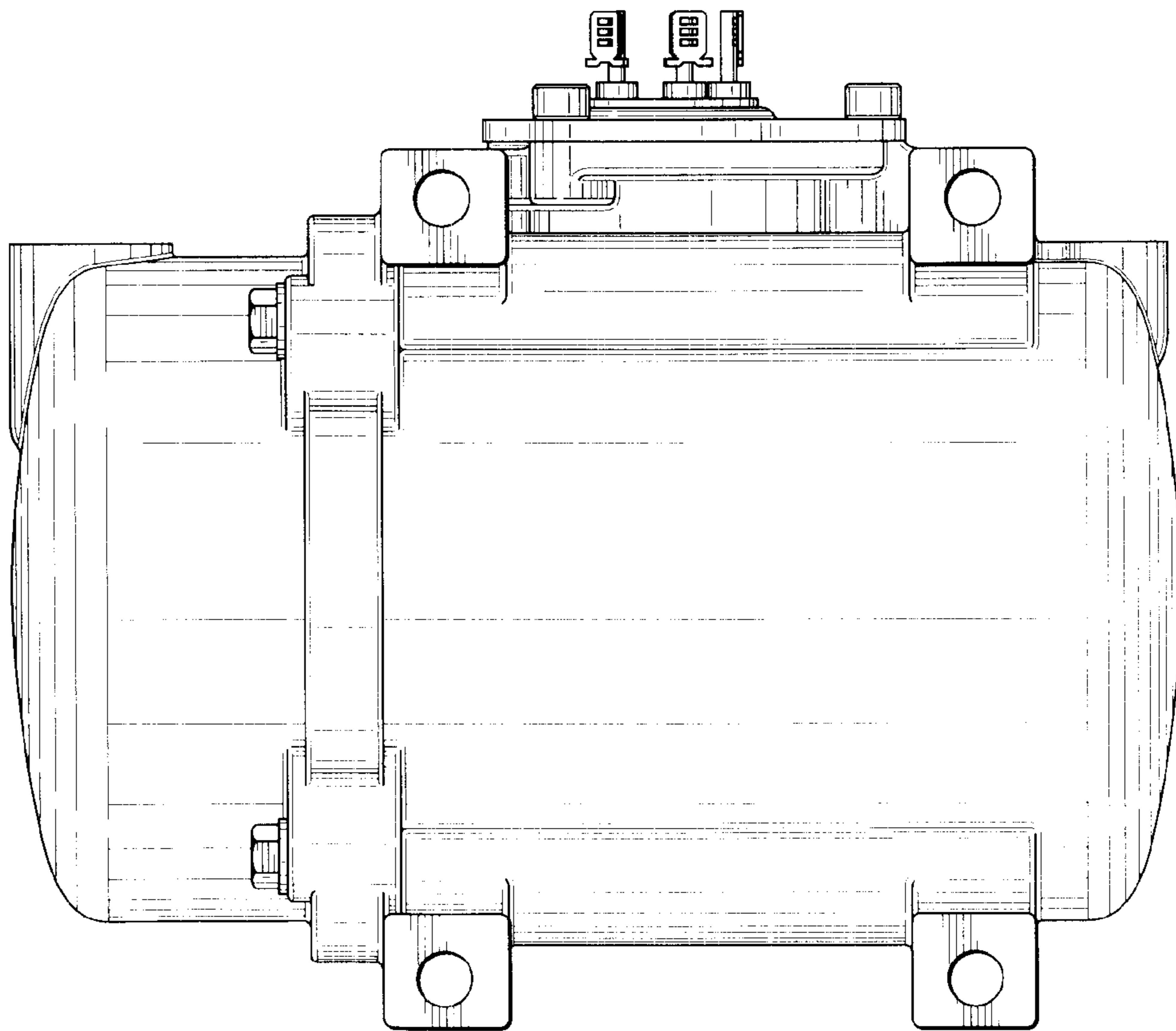


FIG. 5

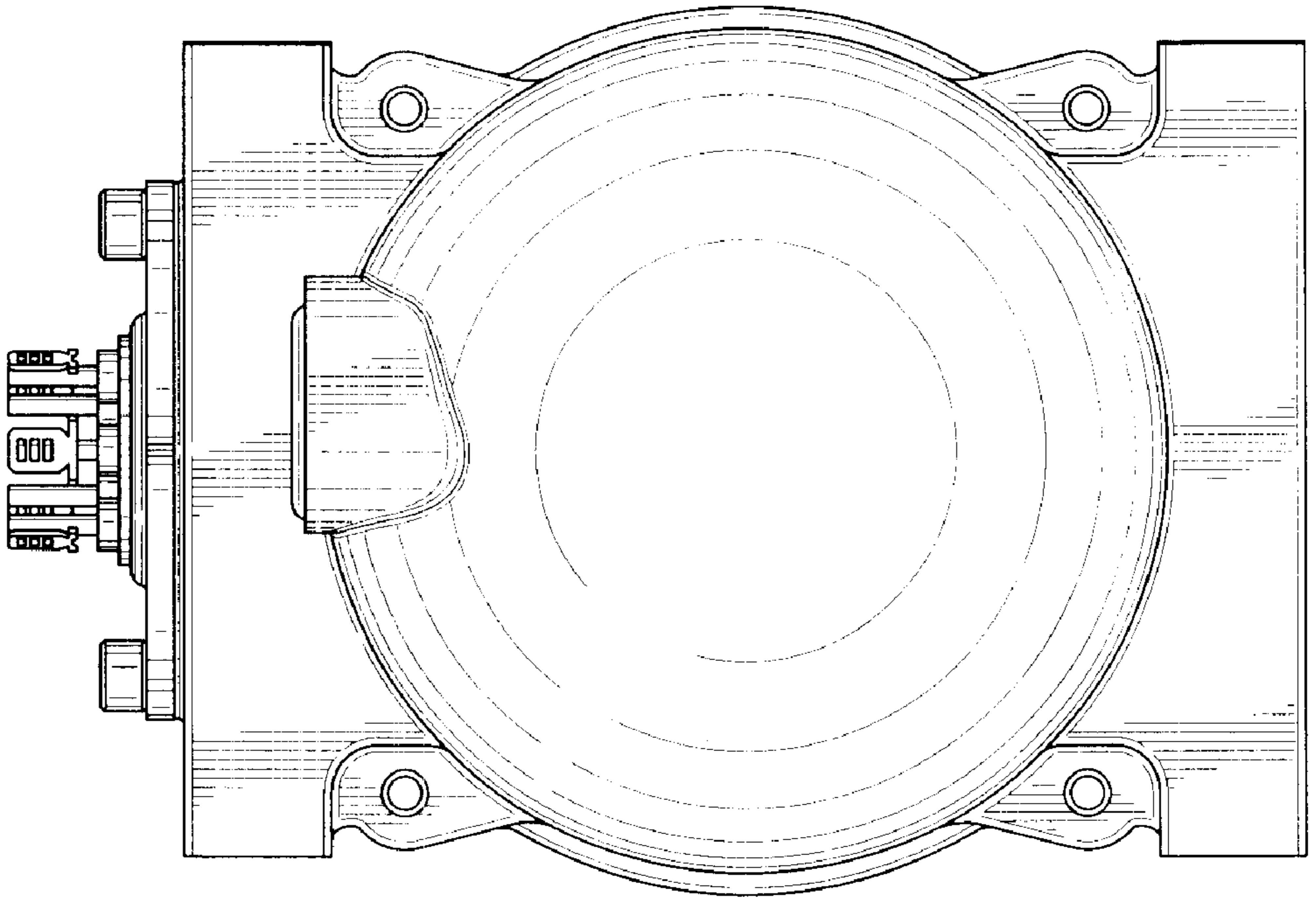
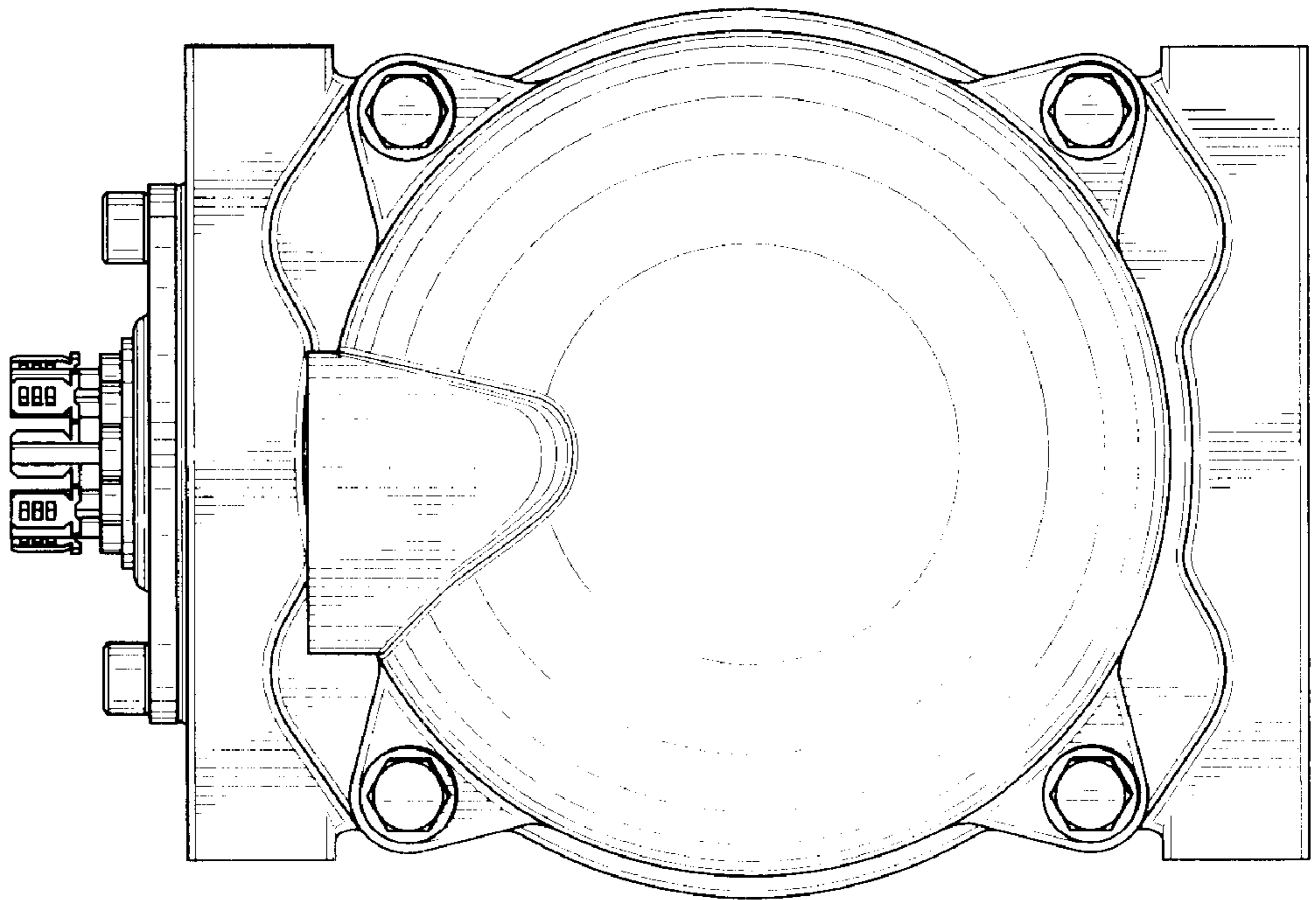
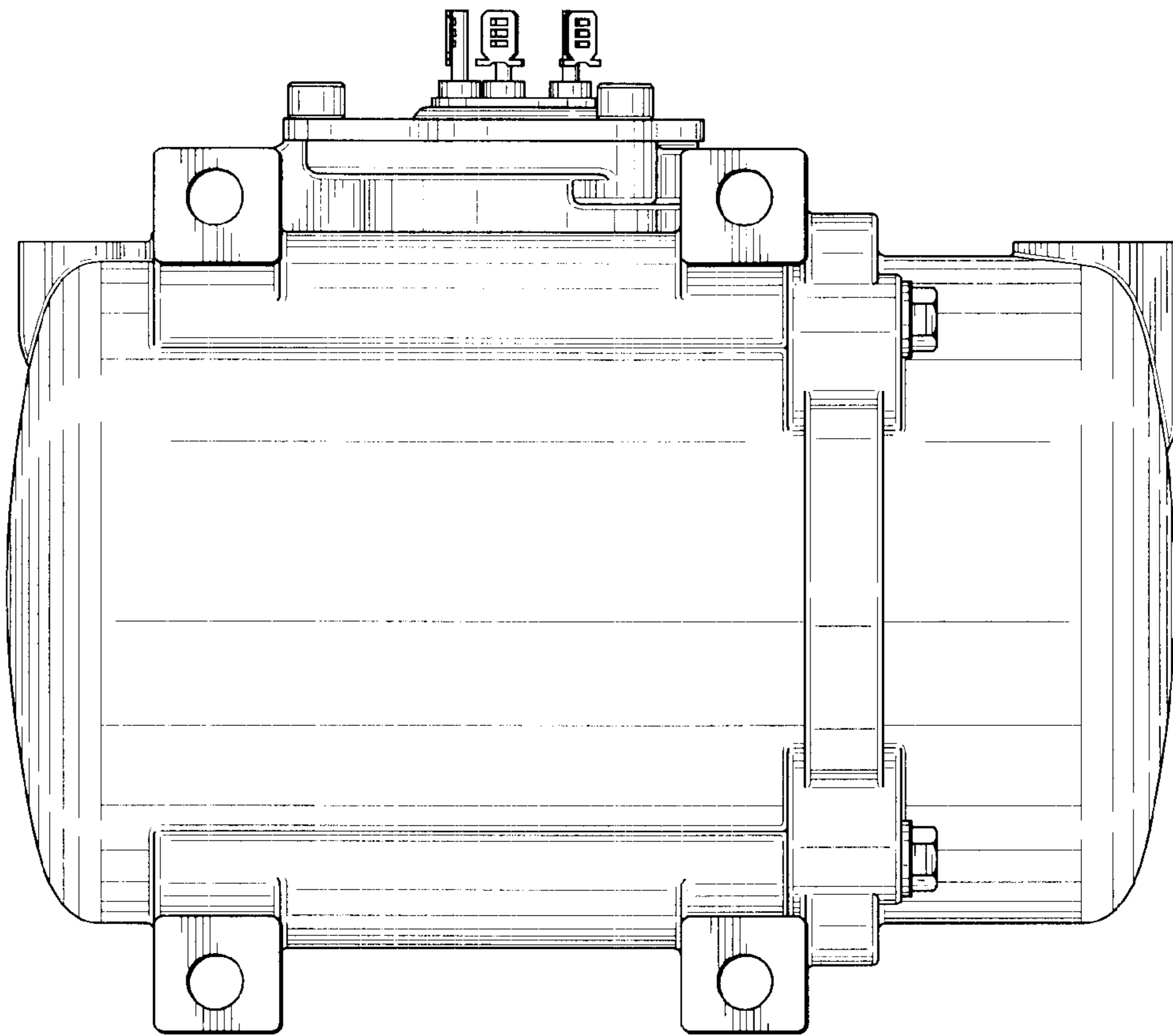


FIG. 4



*FIG. 6*



*FIG. 7*

