

US00D466517S

(12) **United States Design Patent**
O'Connor

(10) **Patent No.:** **US D466,517 S**

(45) **Date of Patent:** **** Dec. 3, 2002**

(54) **FINGERS AND KEYBOARD DRAFT PROTECTOR**

6,010,262 A 1/2000 Linyear et al.
D430,572 S 9/2000 Bredeson
D453,764 S * 2/2002 Linyear et al. D14/455

(76) Inventor: **Judith O'Connor**, 6316 35th Ave.
North, St. Petersburg, FL (US) 33710

* cited by examiner

(**) Term: **14 Years**

Primary Examiner—Kay H. Chin
(74) *Attorney, Agent, or Firm*—Dennis G. LaPointe; Mason & Associates. P.A.

(21) Appl. No.: **29/139,670**

(22) Filed: **Apr. 3, 2001**

(57) **CLAIM**

(51) **LOC (7) Cl.** **14-02**

I claim the ornamental design for a fingers and keyboard draft protector, as shown and described.

(52) **U.S. Cl.** **D14/455**

(58) **Field of Search** D14/448, 454,
D14/455, 456, 457; 440/689–693, 713–715;
248/441.1, 442.2, 457; 312/208.3

DESCRIPTION

(56) **References Cited**

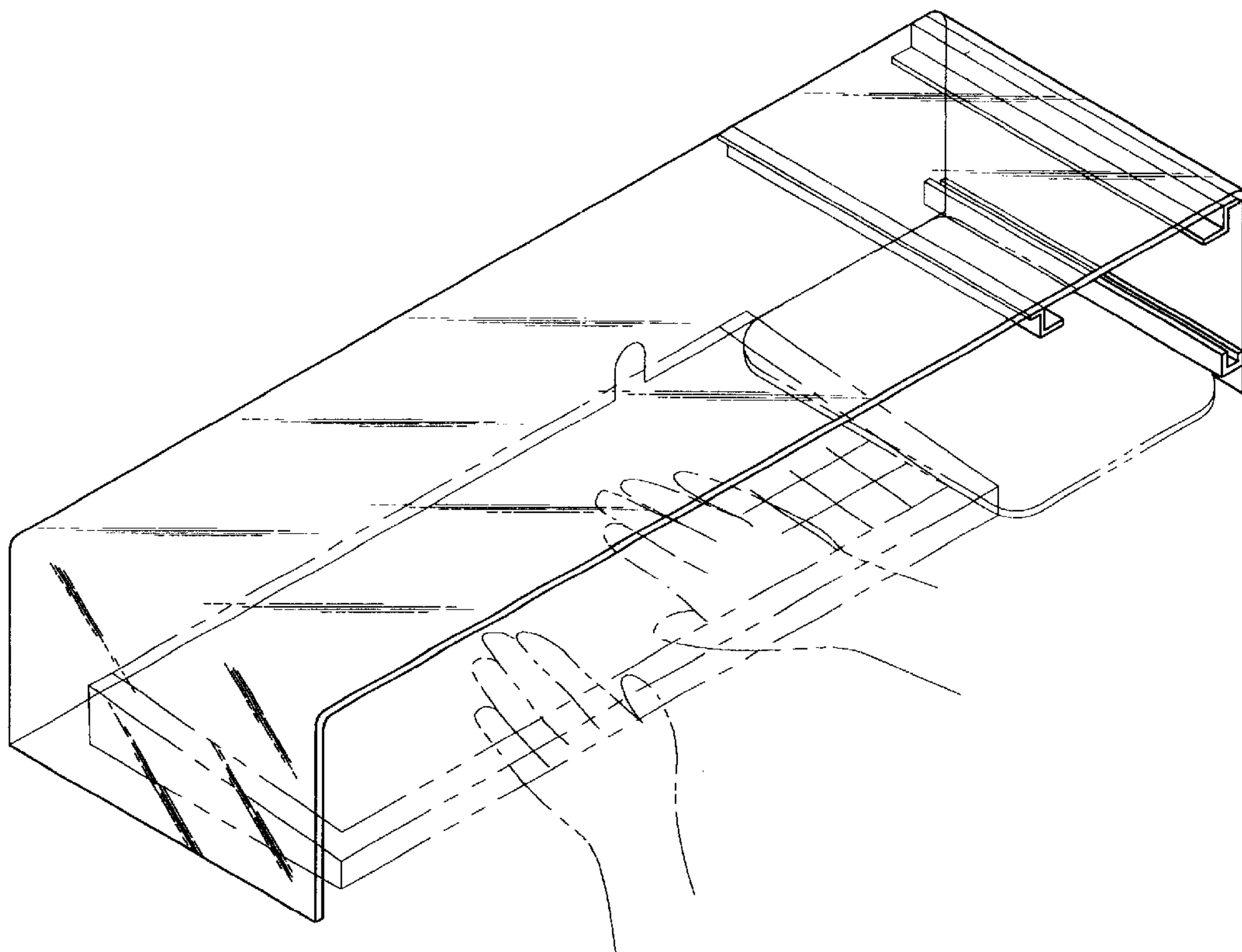
U.S. PATENT DOCUMENTS

D272,348 S	1/1984	Gonzales et al.	
4,449,763 A	5/1984	Barnett	
5,205,631 A	4/1993	Wegman et al.	
D342,944 S	1/1994	Rhodes	
5,377,951 A	1/1995	Johnson et al.	
5,419,704 A	5/1995	North	
D412,321 S	* 7/1999	Wu D14/455
5,934,813 A	8/1999	Nyako et al.	

FIG. 1 is a perspective view of a fingers and keyboard draft protector showing my new design, the broken line are for illustrative purposes only and form no part of the claimed design;

FIG. 2 is a front elevation view thereof;
FIG. 3 is a rear elevation view thereof;
FIG. 4 is a left side elevation view thereof;
FIG. 5 is a right side elevation view thereof;
FIG. 6 is a top plan view thereof; and,
FIG. 7 is a bottom plan view thereof.

1 Claim, 4 Drawing Sheets



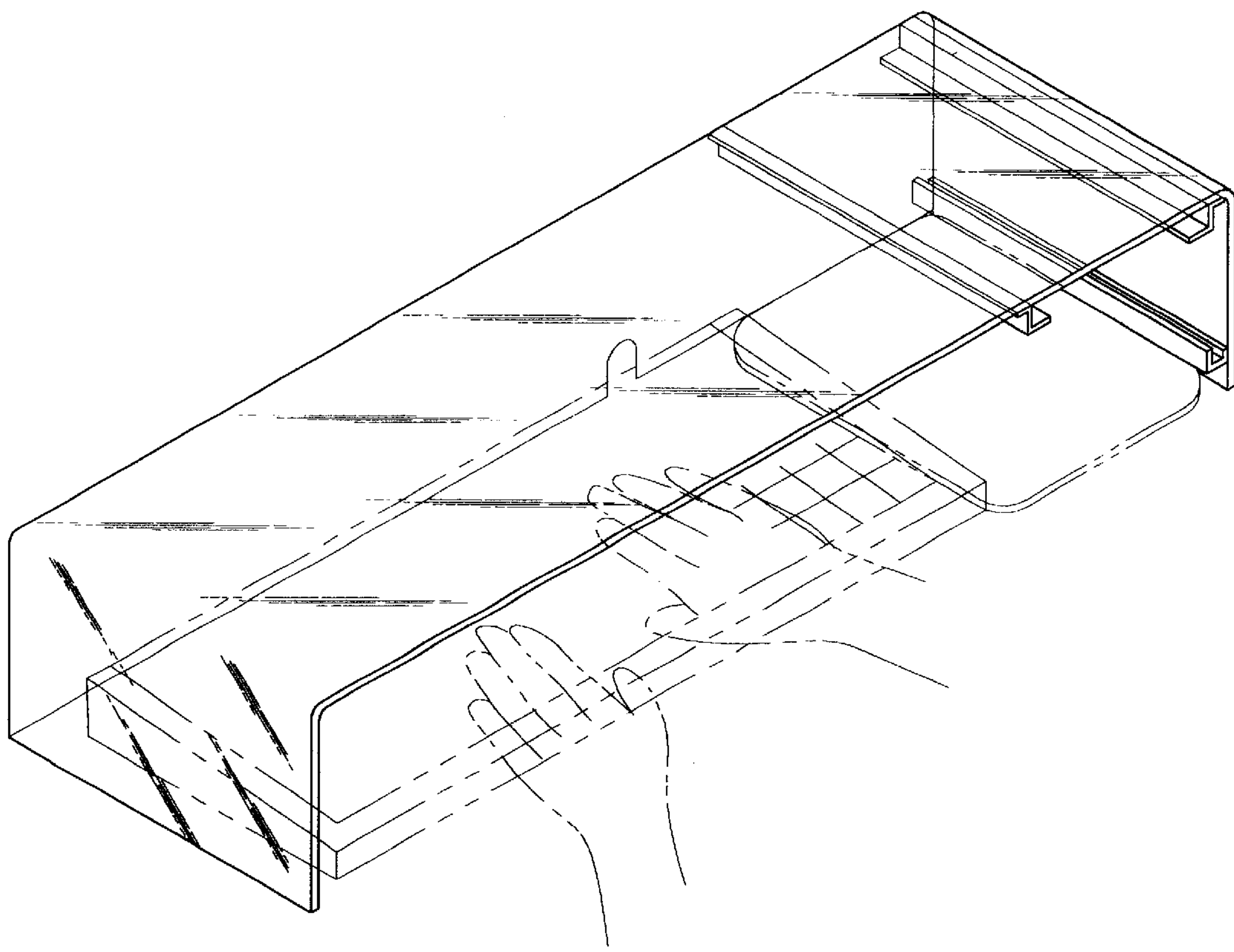


FIG. 1

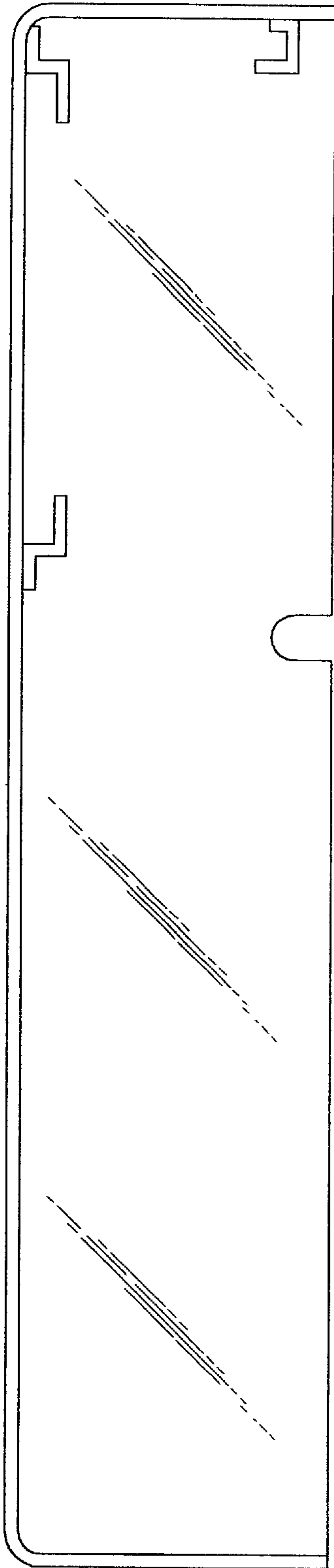


FIG. 2

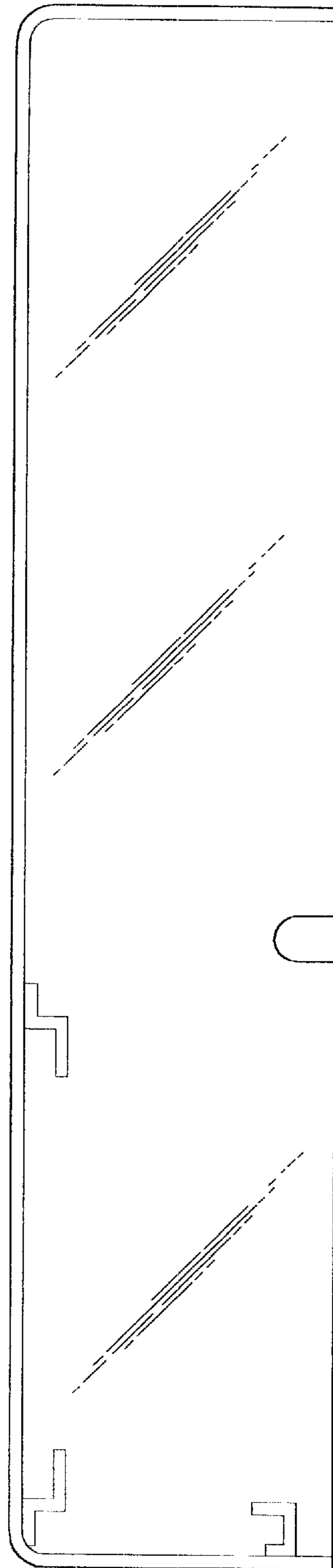


FIG. 3

FIG. 4

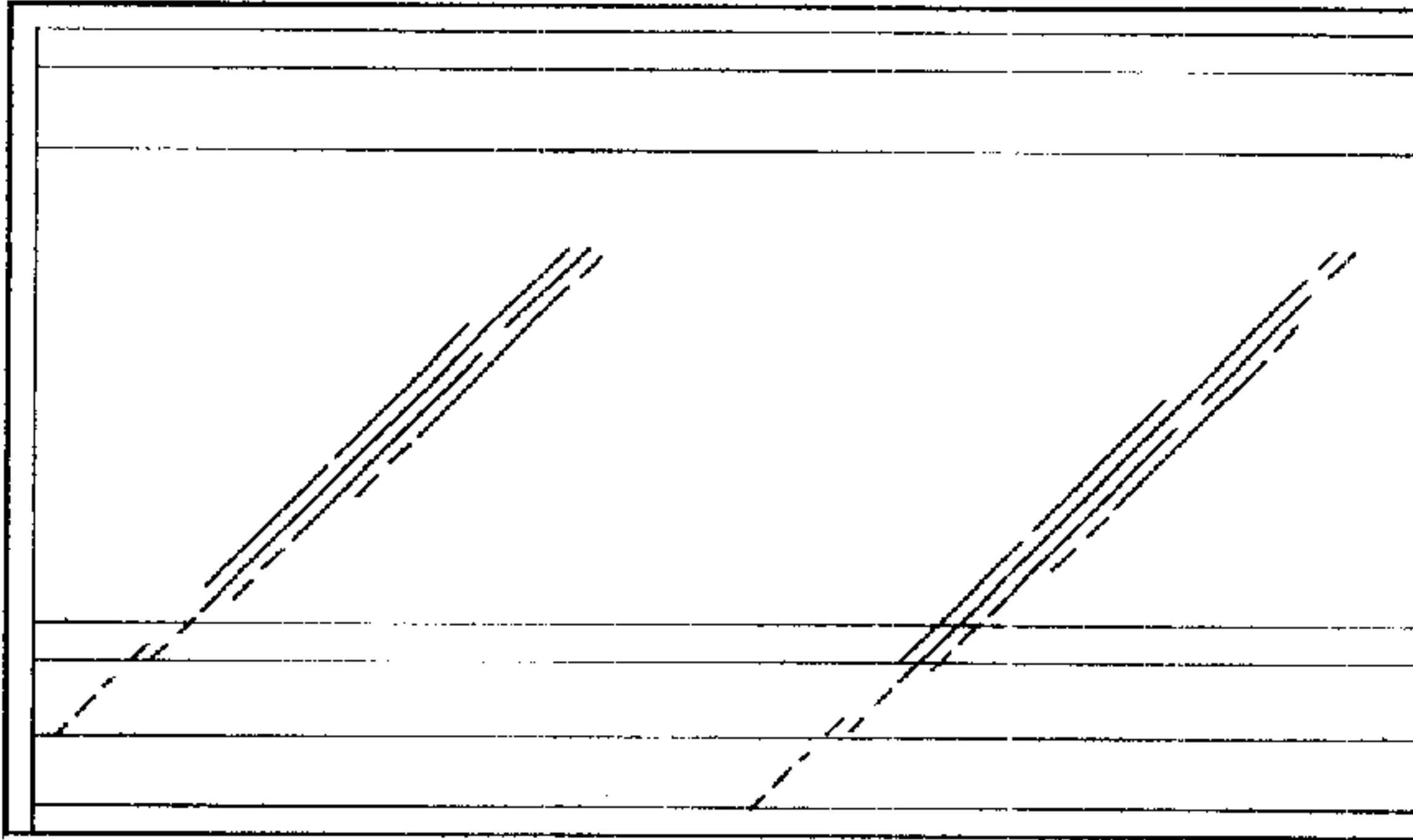


FIG. 5

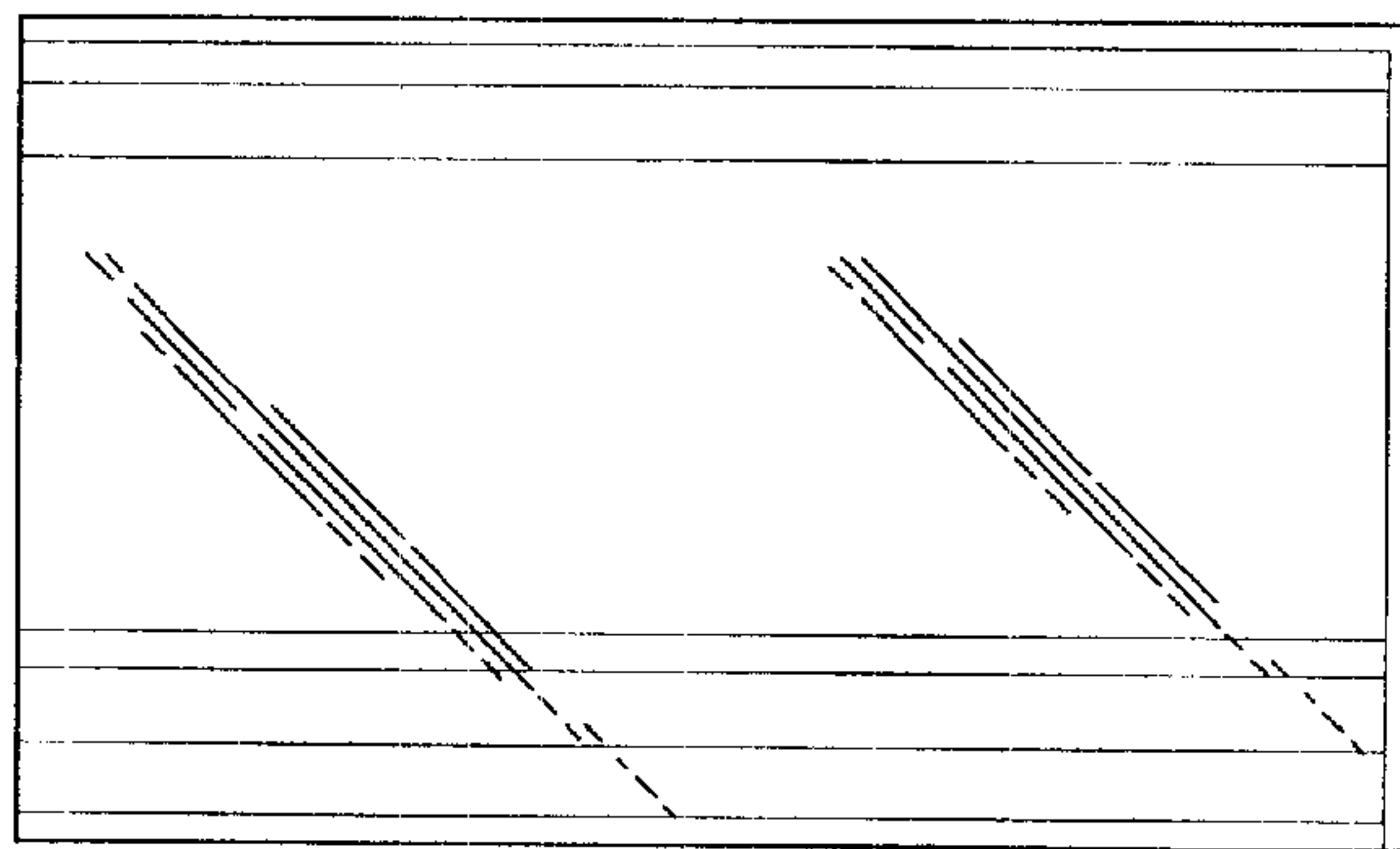


FIG. 6

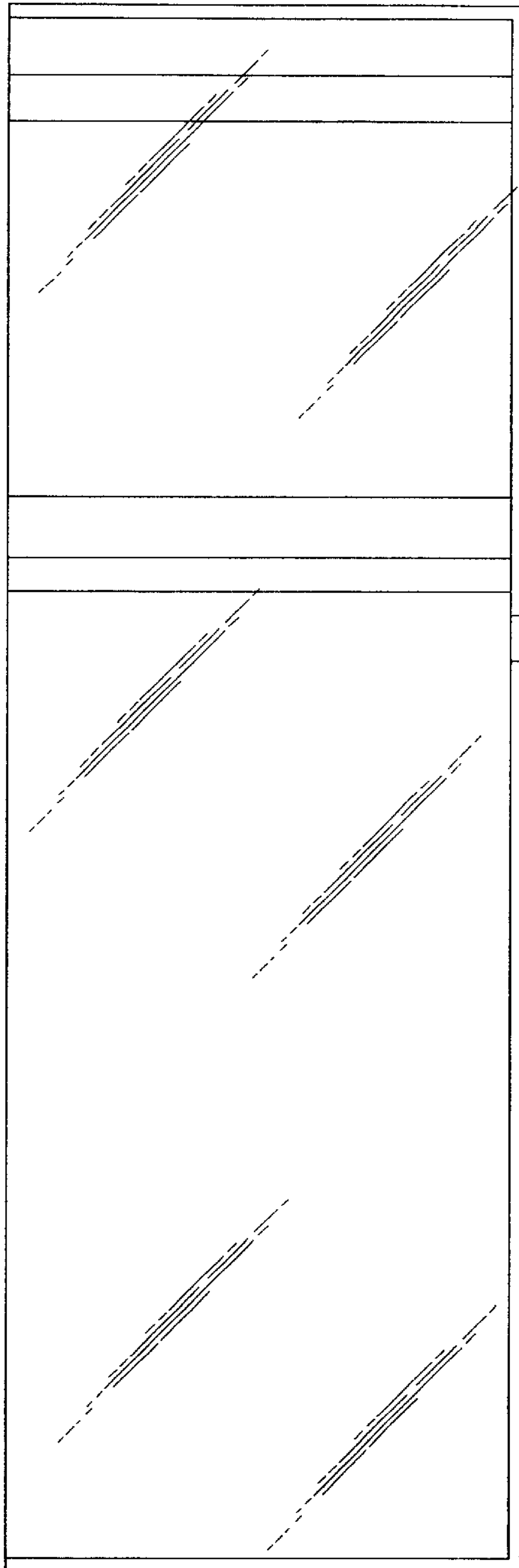


FIG. 7

