



US00D466516S

(12) **United States Design Patent**
Peiker

(10) **Patent No.:** **US D466,516 S**

(45) **Date of Patent:** **** Dec. 3, 2002**

(54) **CRADLE FOR PERSONAL DIGITAL ASSISTANT**

D412,494 S * 8/1999 Tamaki et al. D14/314
D420,989 S * 2/2000 Sandhu et al. D14/447
D426,549 S * 6/2000 Carlson D14/433

(76) Inventor: **Andreas Peiker**, Max-Planck-Strasse
32, 61381 Friedrichsdorf (DE)

* cited by examiner

(**) Term: **14 Years**

Primary Examiner—Kay H. Chin

(21) Appl. No.: **29/136,886**

(74) *Attorney, Agent, or Firm*—Morgan, Lewis & Bockius
LLP

(22) Filed: **Feb. 9, 2001**

(30) **Foreign Application Priority Data**

Aug. 9, 2000 (DE) 400 07 521

(57) **CLAIM**

I claim the ornamental design for a cradle for personal digital assistant, as shown and described.

(51) **LOC (7) Cl.** **14-02**

DESCRIPTION

(52) **U.S. Cl.** **D14/447; D14/434**

FIG. 1 shows a perspective view of a cradle for a personal digital assistant;

(58) **Field of Search** D14/432, 433,
D14/434, 300, 356, 357, 341-355, 439-447;
D13/184, 199; 361/679-687; 200/5 R, 5 A,
6 R, 6 A

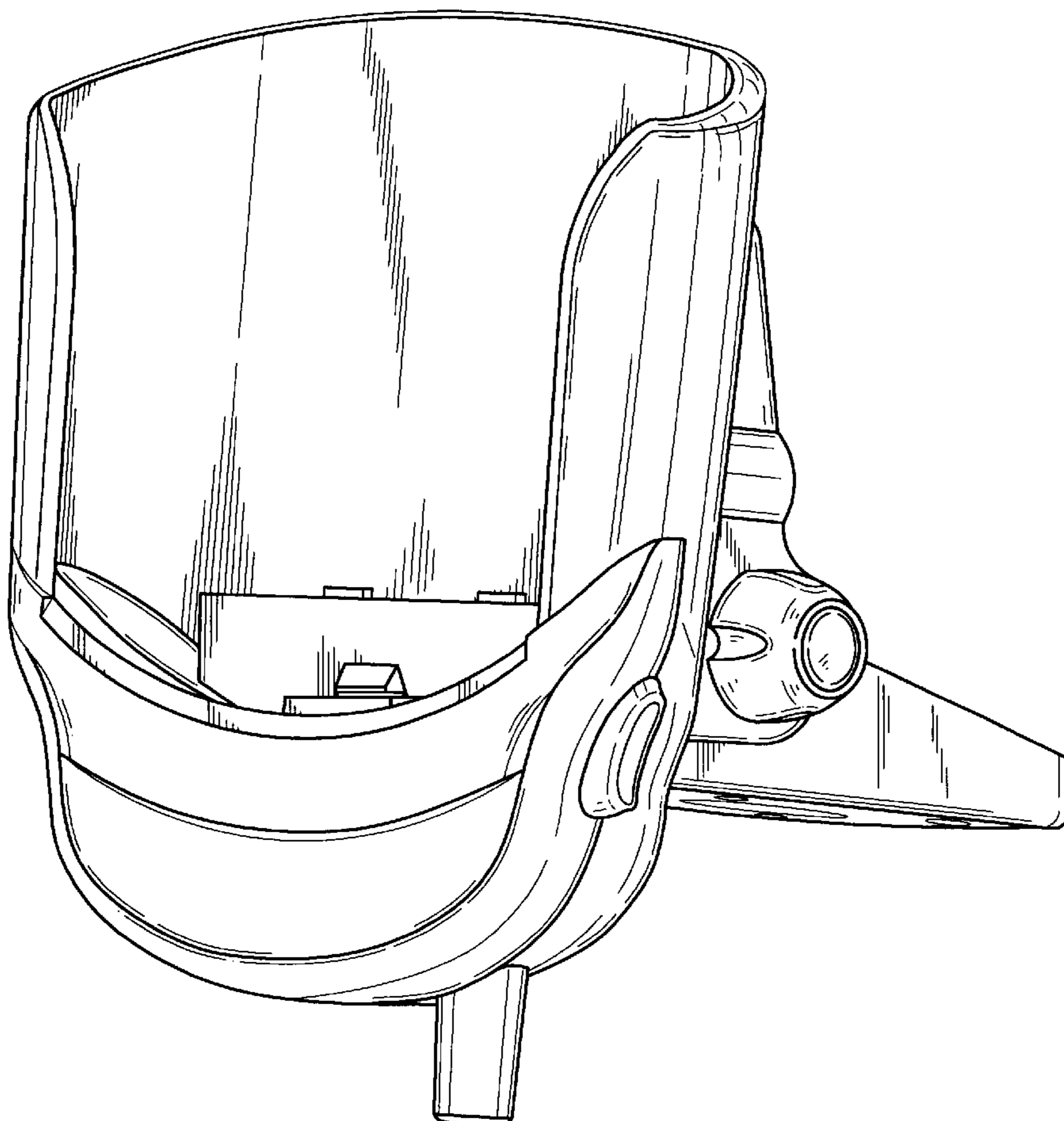
FIG. 2 shows a front view of the cradle;
FIG. 3 shows a left side view of the cradle;
FIG. 4 shows a right side view of the cradle;
FIG. 5 shows a rear view of the cradle with the base removed;
FIG. 6 shows a bottom view of the cradle;
FIG. 7 shows a top view of the cradle; and,
FIG. 8 shows another perspective view of the cradle.

(56) **References Cited**

U.S. PATENT DOCUMENTS

D373,121 S * 8/1996 Deluliis et al. D14/457
D412,162 S * 7/1999 Tal et al. D14/447

1 Claim, 8 Drawing Sheets



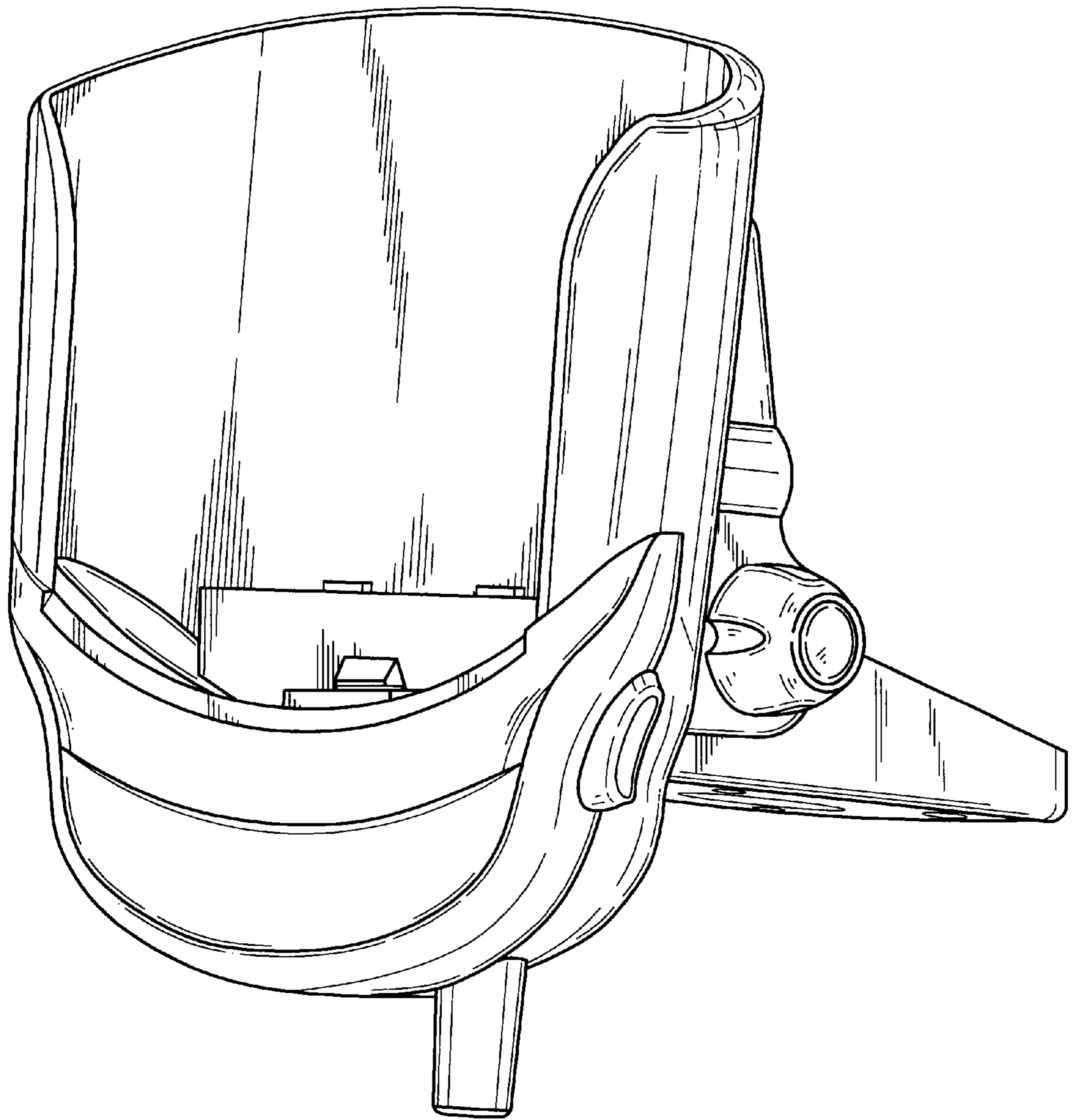


FIG.1

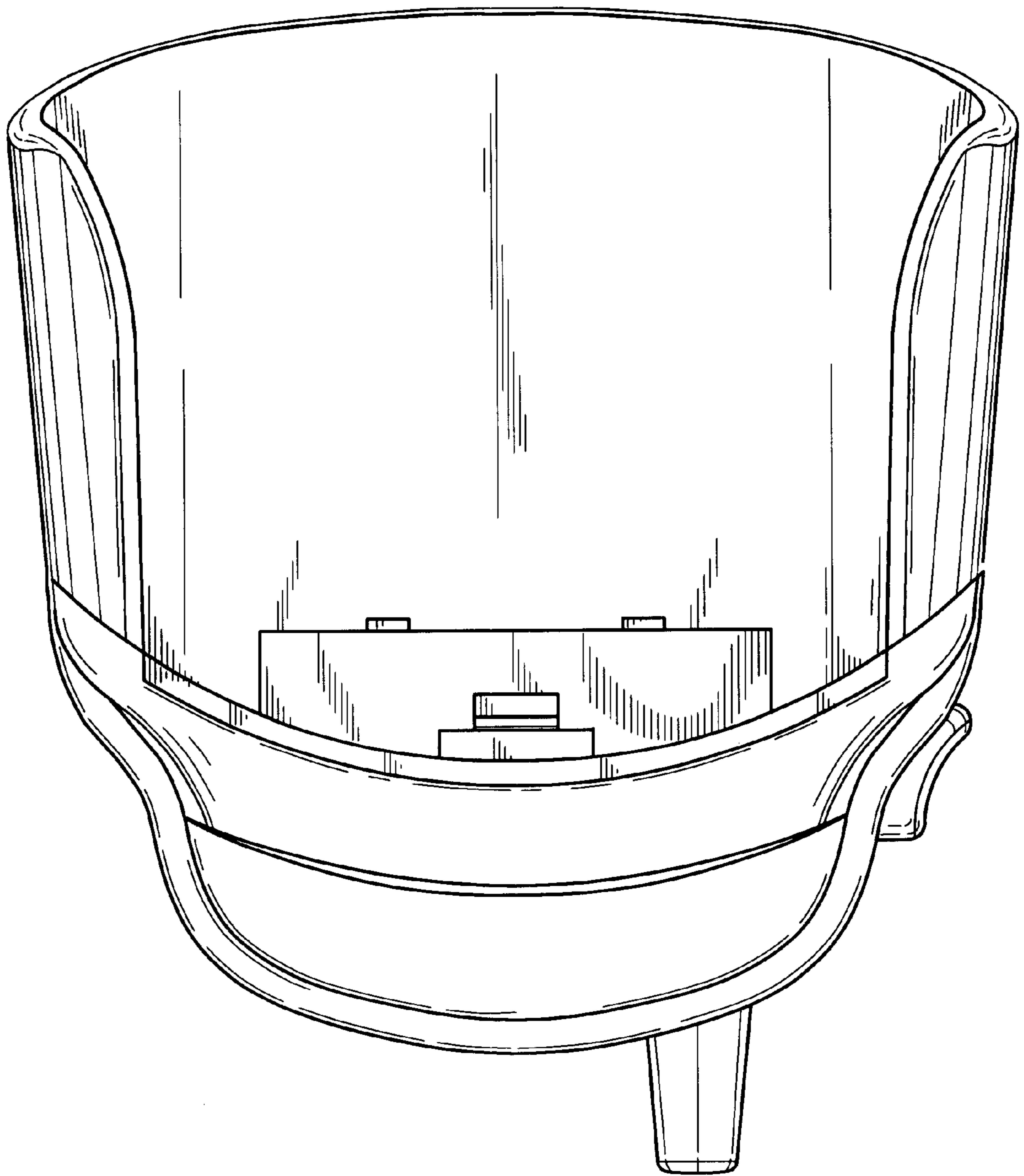


FIG.2

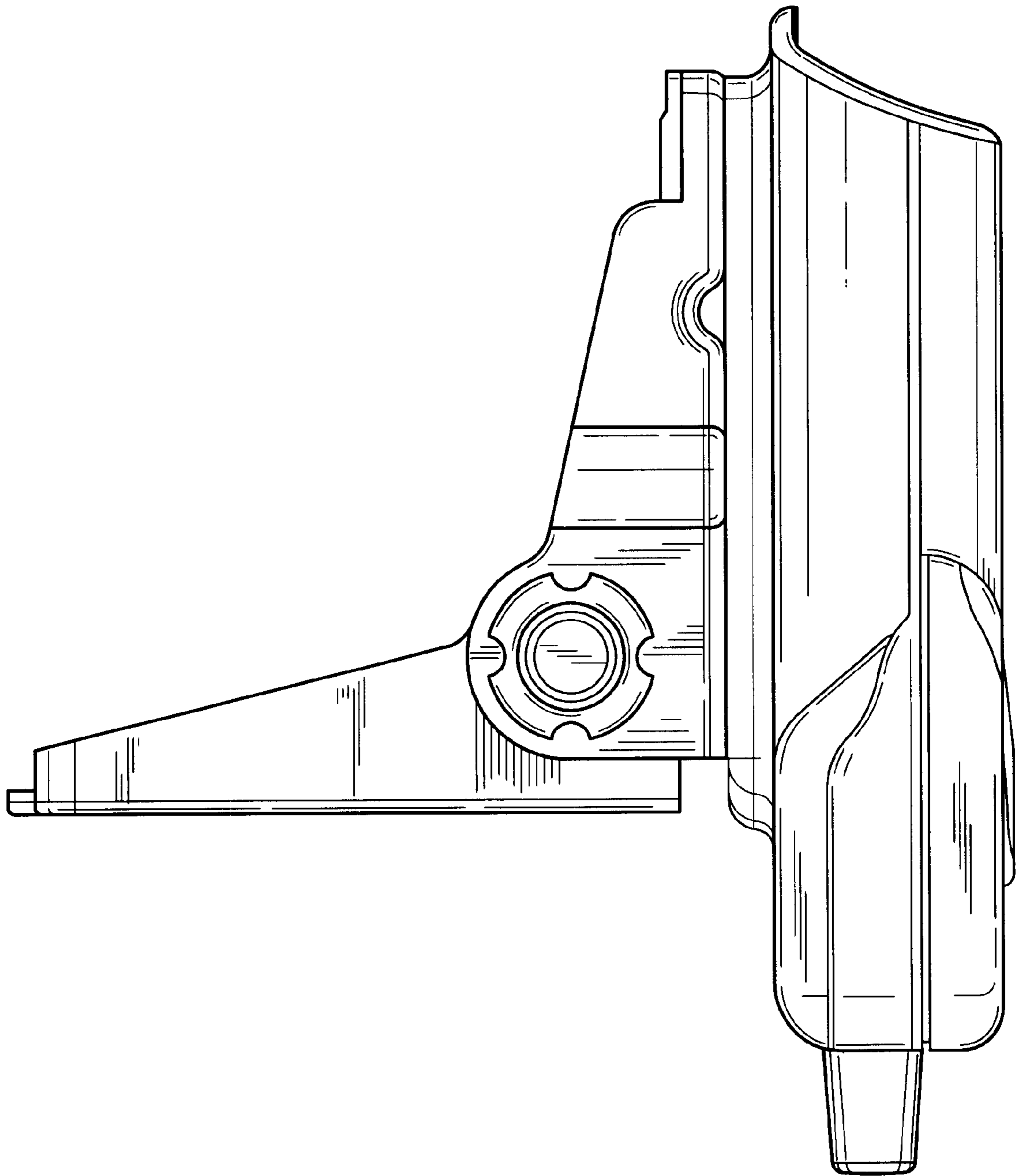


FIG.3

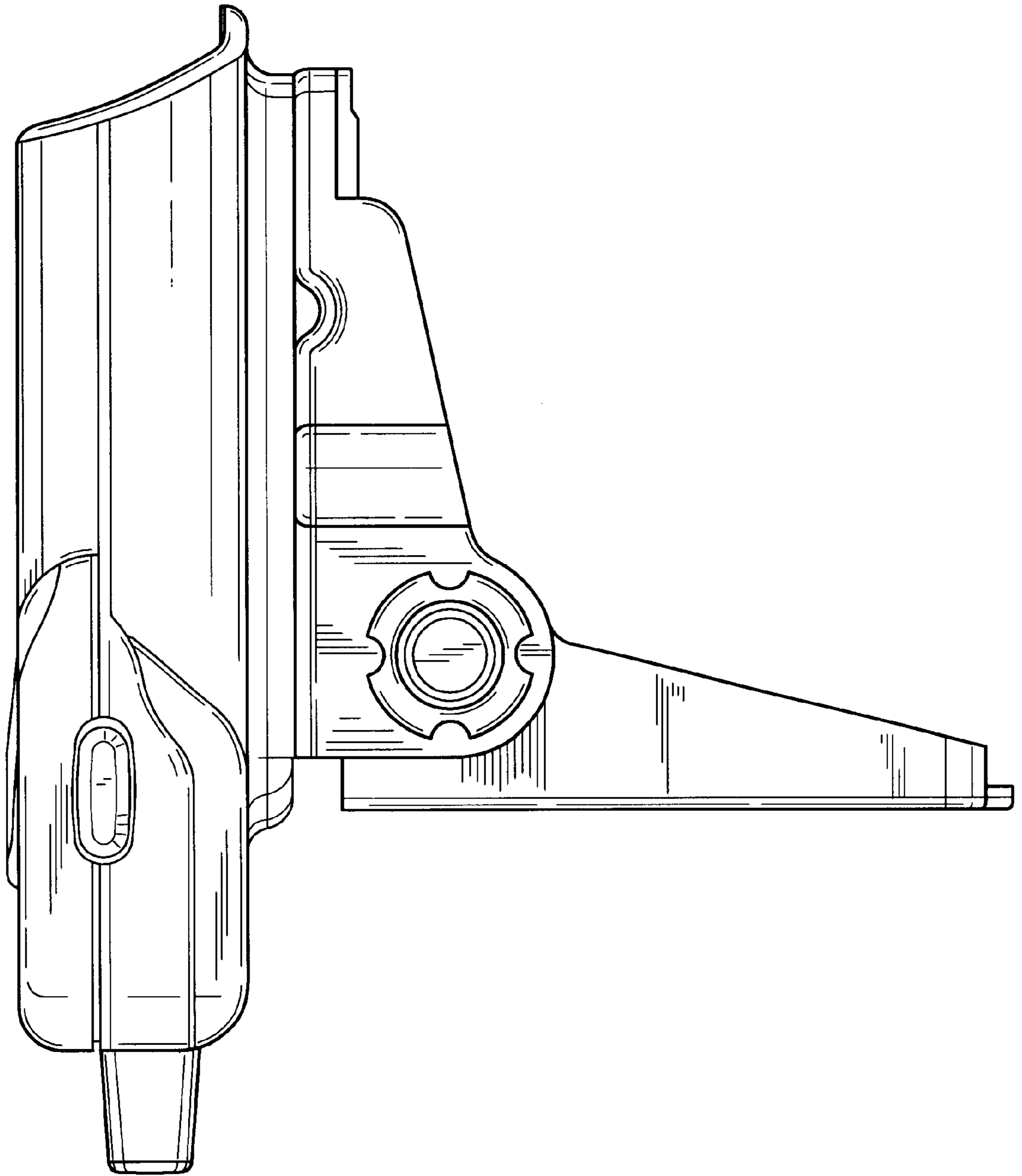


FIG.4

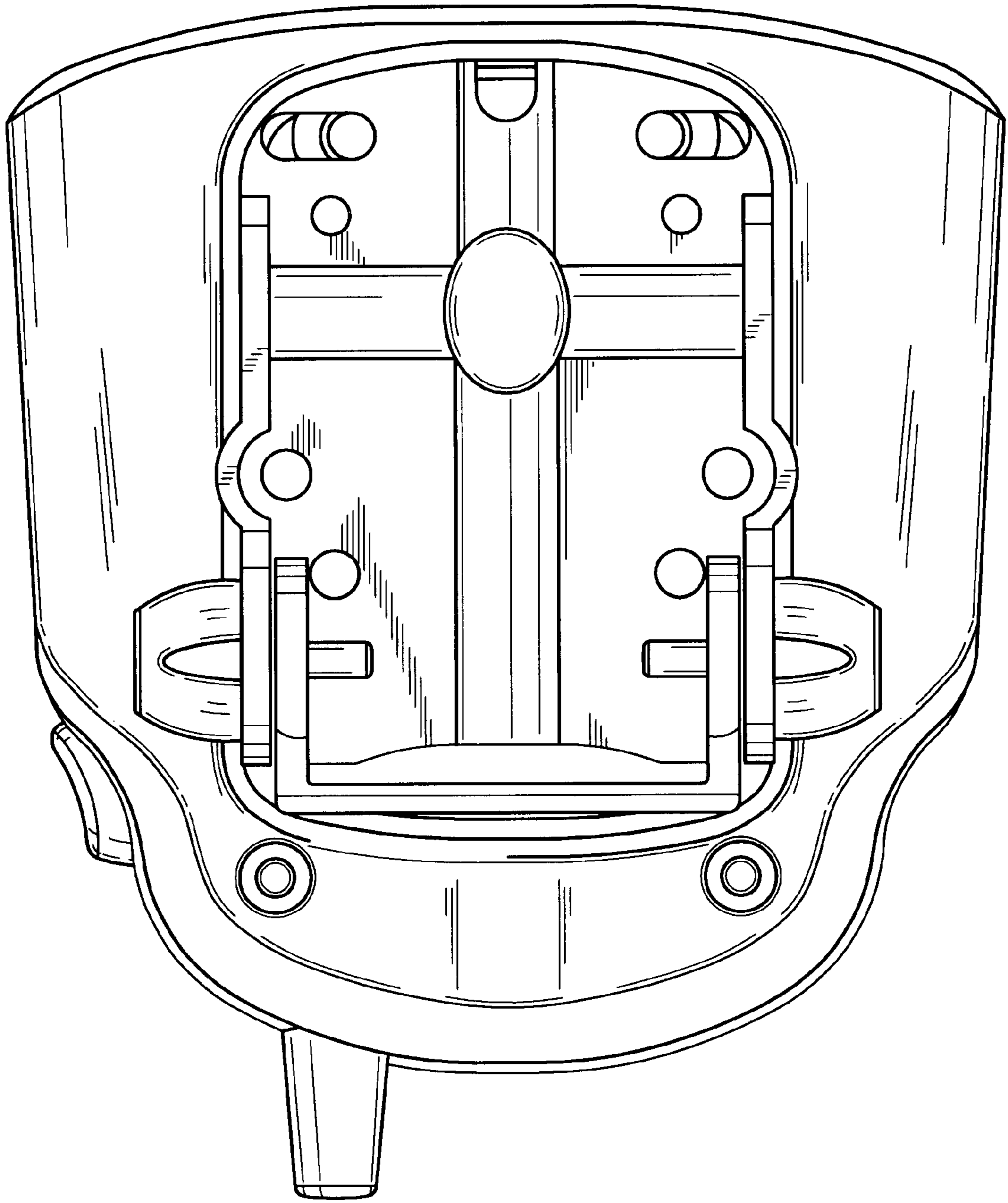


FIG.5

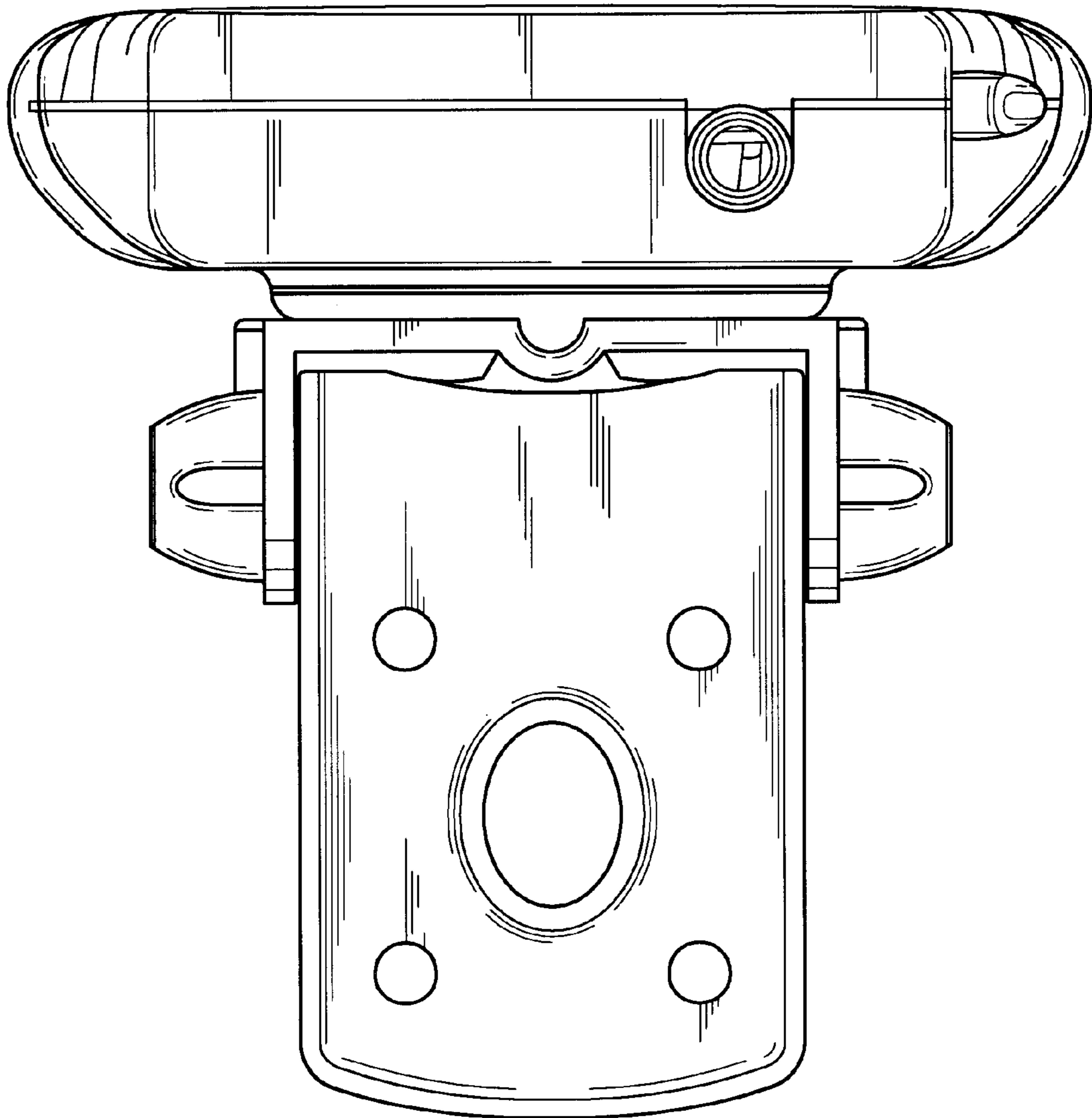


FIG. 6

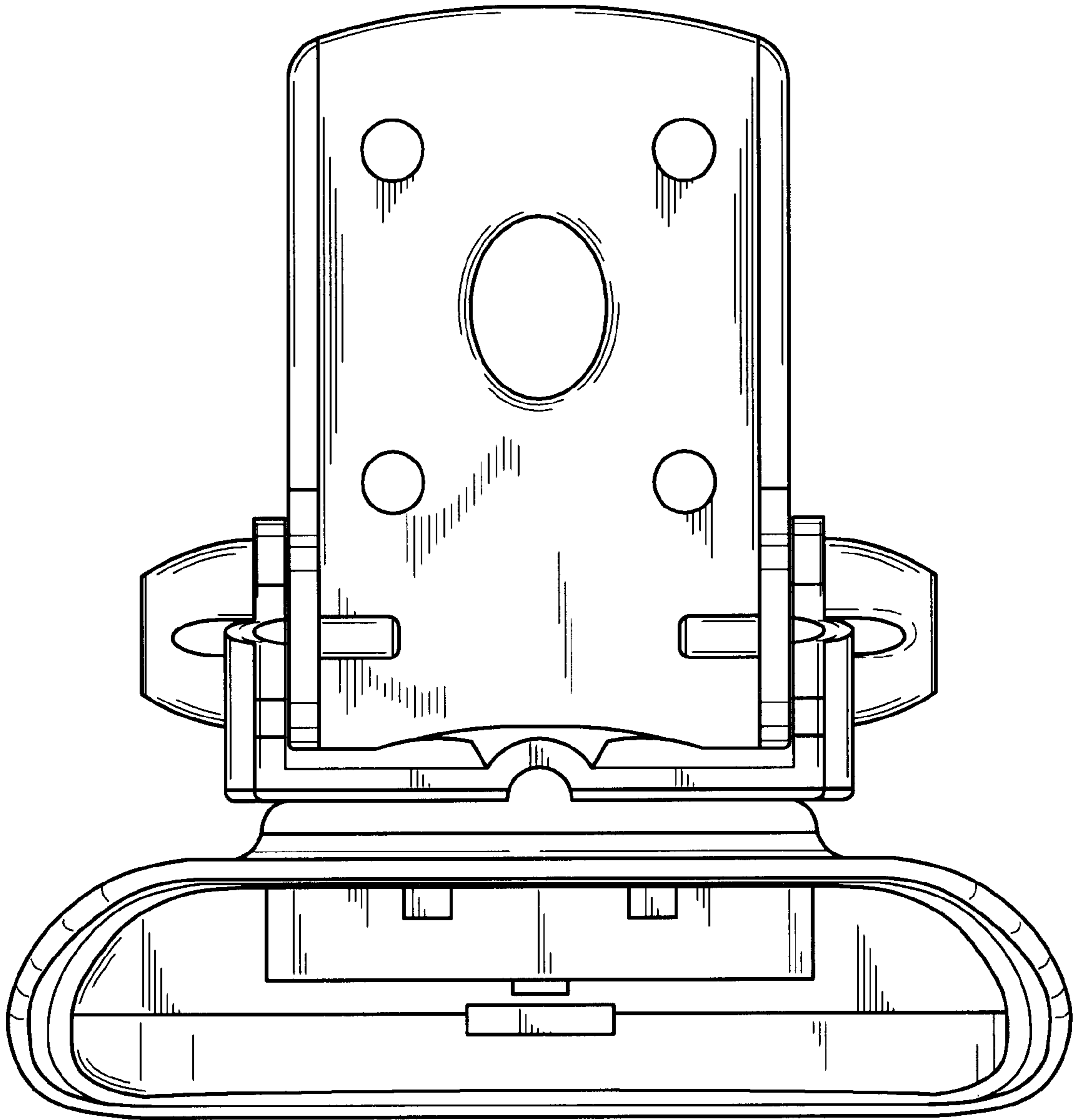


FIG. 7

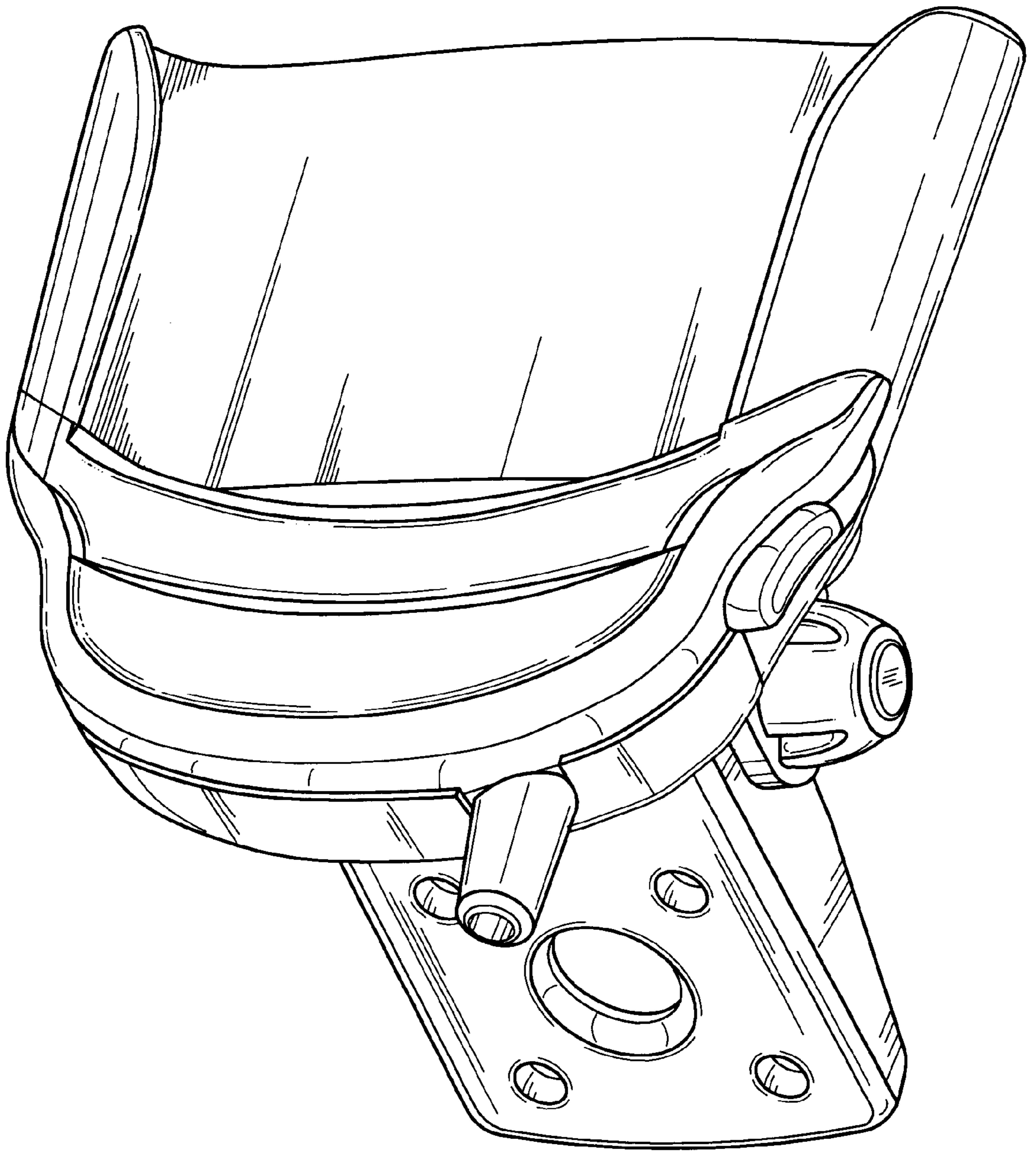


FIG.8