



US00D466506S

(12) **United States Design Patent**  
**Matsuoka**

(10) **Patent No.:** **US D466,506 S**

(45) **Date of Patent:** **\*\* Dec. 3, 2002**

(54) **COMPUTER**

(75) Inventor: **Shoichiro Matsuoka**, Tokyo (JP)

(73) Assignee: **Sony Corporation**, Tokyo (JP)

(\*\*) Term: **14 Years**

(21) Appl. No.: **29/151,440**

(22) Filed: **Dec. 10, 2001**

(51) **LOC (7) Cl.** ..... **14-02**

(52) **U.S. Cl.** ..... **D14/349**

(58) **Field of Search** ..... D14/349, 353,  
D14/354, 356; D13/162, 184, 199; 312/223.1-223.3;  
360/99.01-99.12; 361/680-686, 690-696;  
369/34.01, 36.01

(56) **References Cited**

**U.S. PATENT DOCUMENTS**

|            |   |         |             |       |         |
|------------|---|---------|-------------|-------|---------|
| D434,035 S | * | 11/2000 | Jean et al. | ..... | D14/349 |
| D436,952 S |   | 1/2001  | Goto        | ..... | D14/349 |
| D436,953 S | * | 1/2001  | Matsuoka    | ..... | D14/349 |
| D449,298 S | * | 10/2001 | Matsuoka    | ..... | D14/349 |

**OTHER PUBLICATIONS**

Catalog "Vaio Digital Video", p. 3, Sony Corporation (Feb. 1999).

Catalog "Vaio Personal Computer", 4 sheets, Sony Corporation (Jan. 2001).

\* cited by examiner

*Primary Examiner*—Freda Nunn

(74) *Attorney, Agent, or Firm*—Rader, Fishman & Grauer PLLC

(57) **CLAIM**

The ornamental design for a computer, as shown and described.

**DESCRIPTION**

FIG. 1 is a perspective view of a disc player showing my new design;

FIG. 2 is a front elevational view thereof;

FIG. 3 is a rear elevational view thereof;

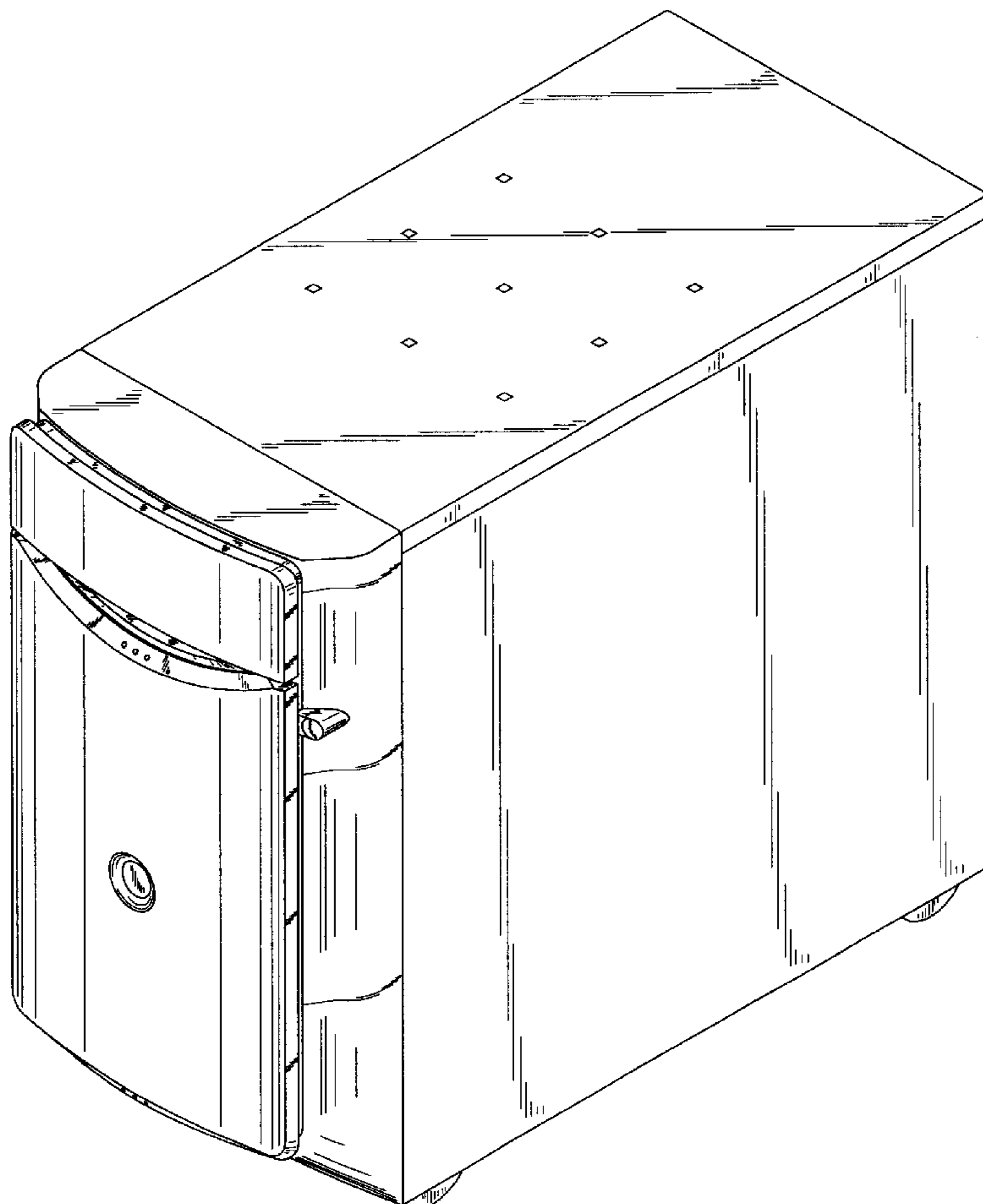
FIG. 4 is a left side elevational view thereof;

FIG. 5 is a right side elevational view thereof;

FIG. 6 is a top plan view thereof; and,

FIG. 7 is a bottom plan view thereof.

**1 Claim, 5 Drawing Sheets**



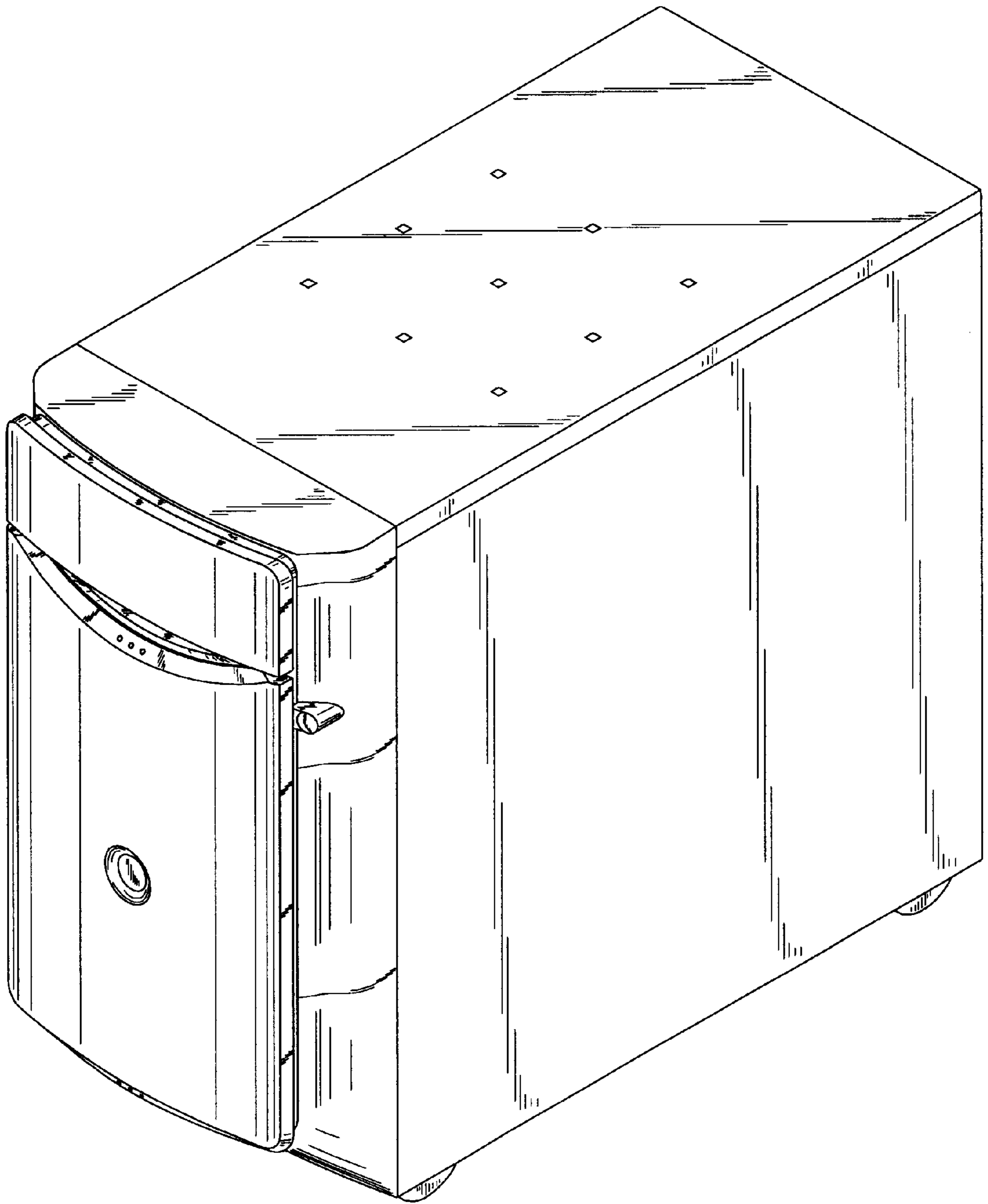
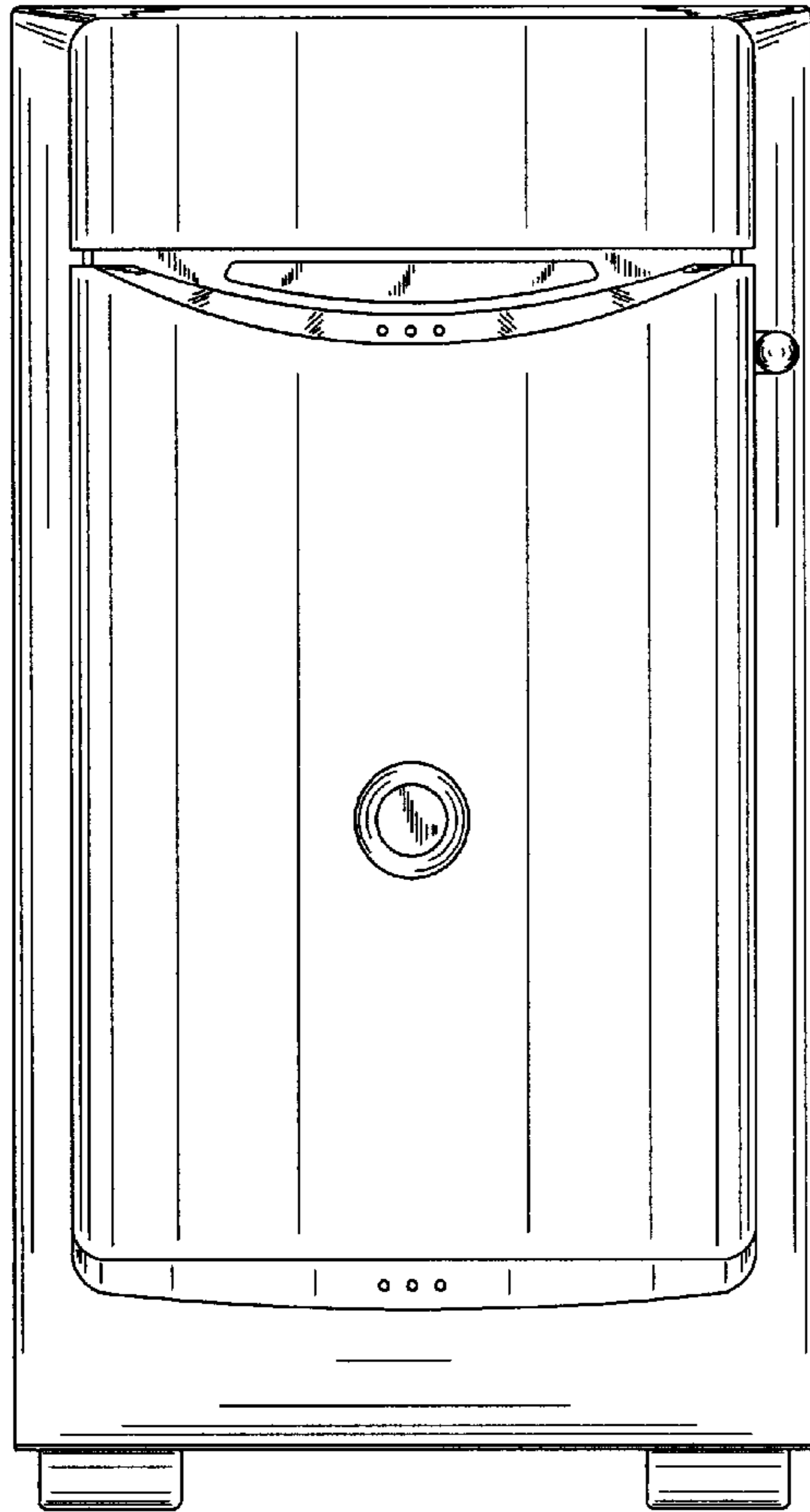
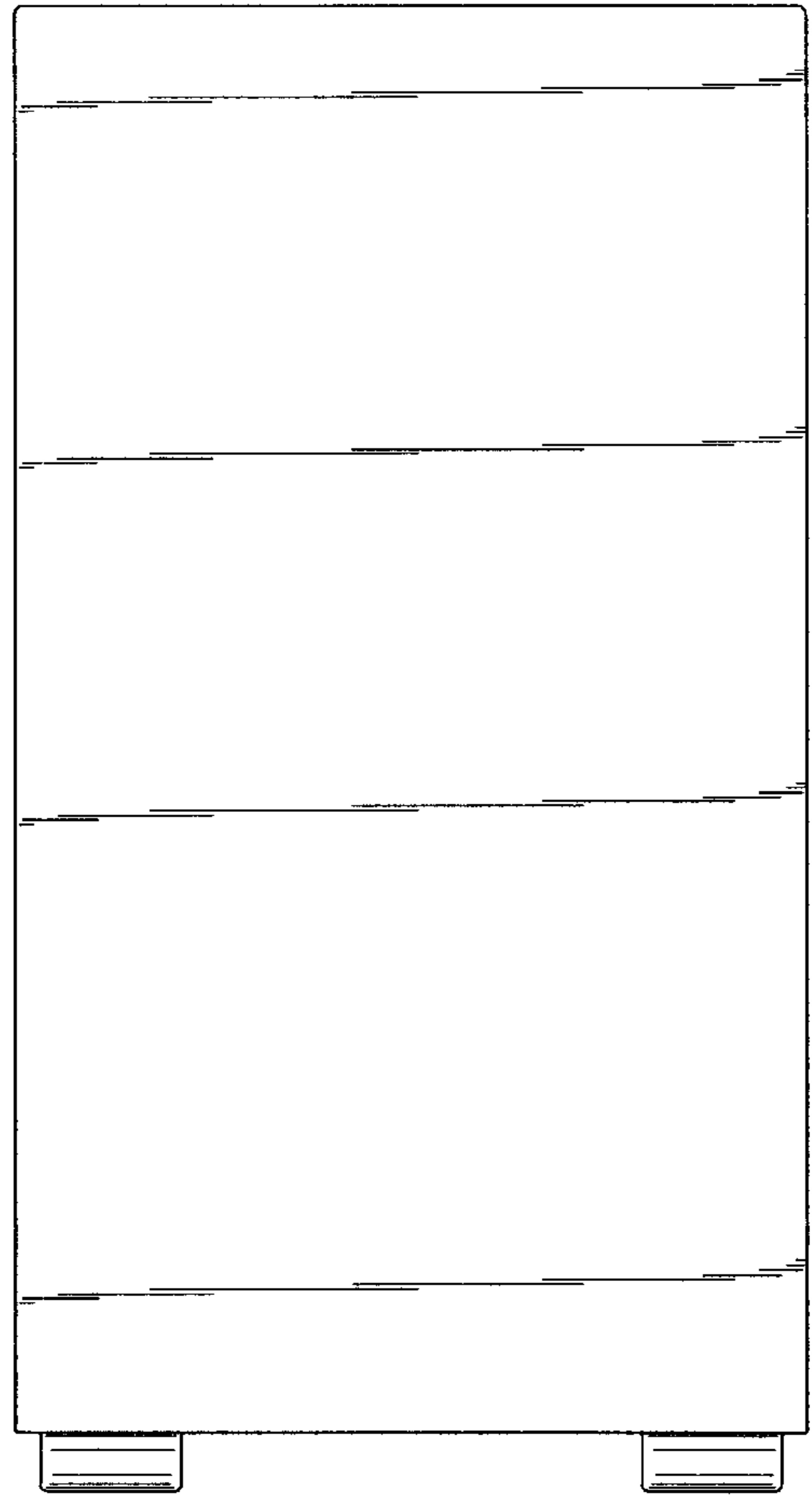


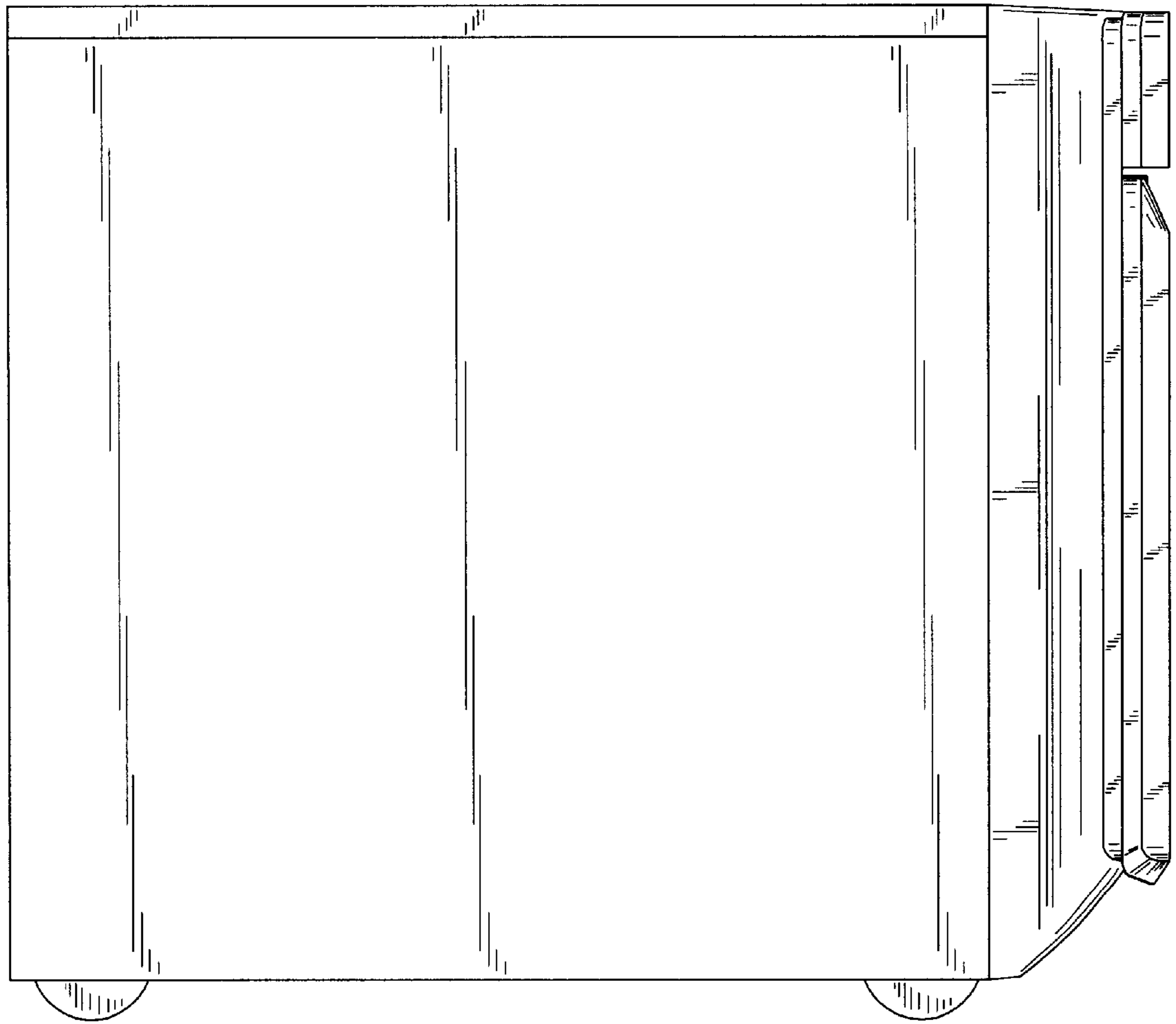
Fig. 1



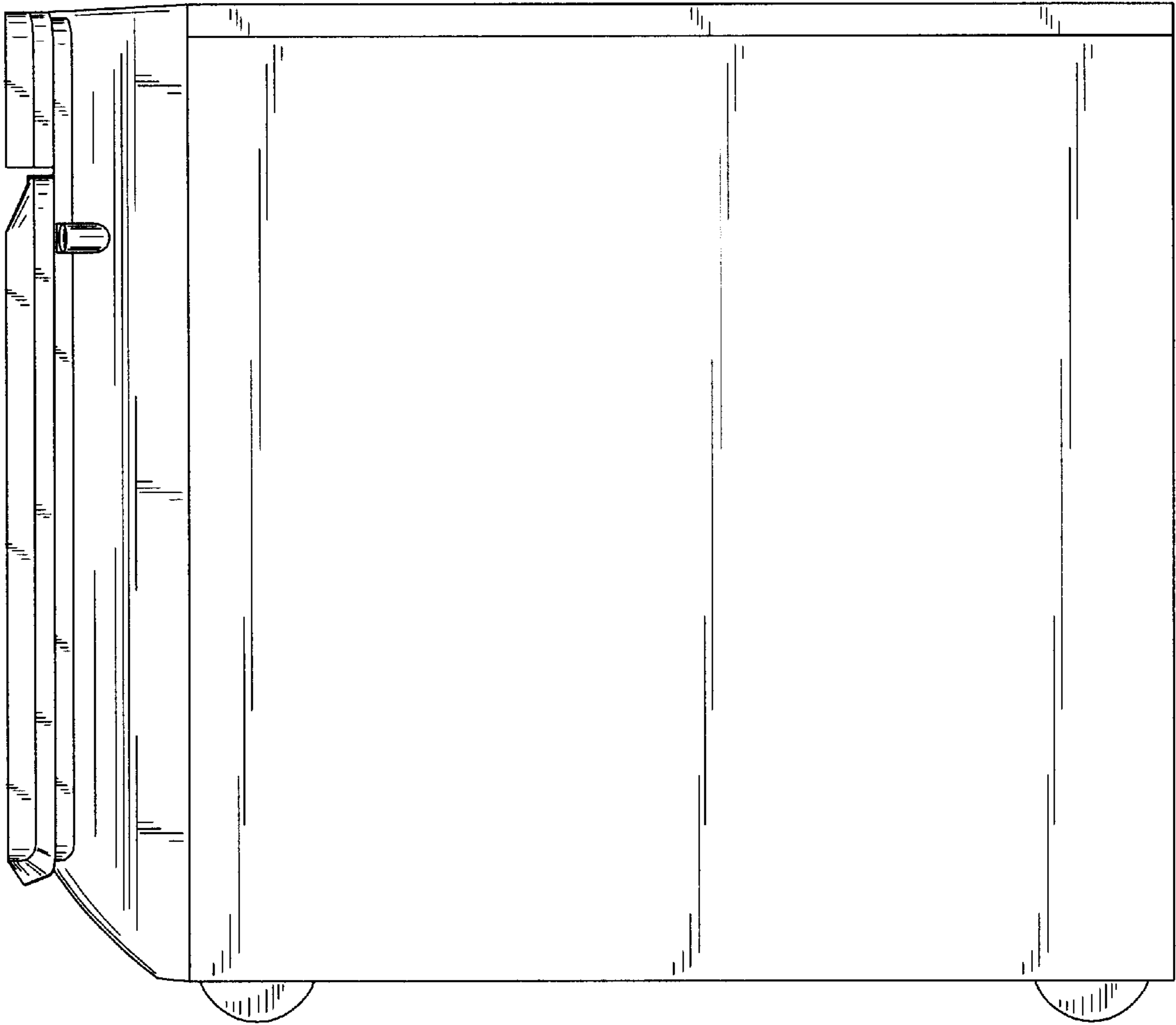
**Fig. 2**



**Fig. 3**



**Fig. 4**



**Fig. 5**

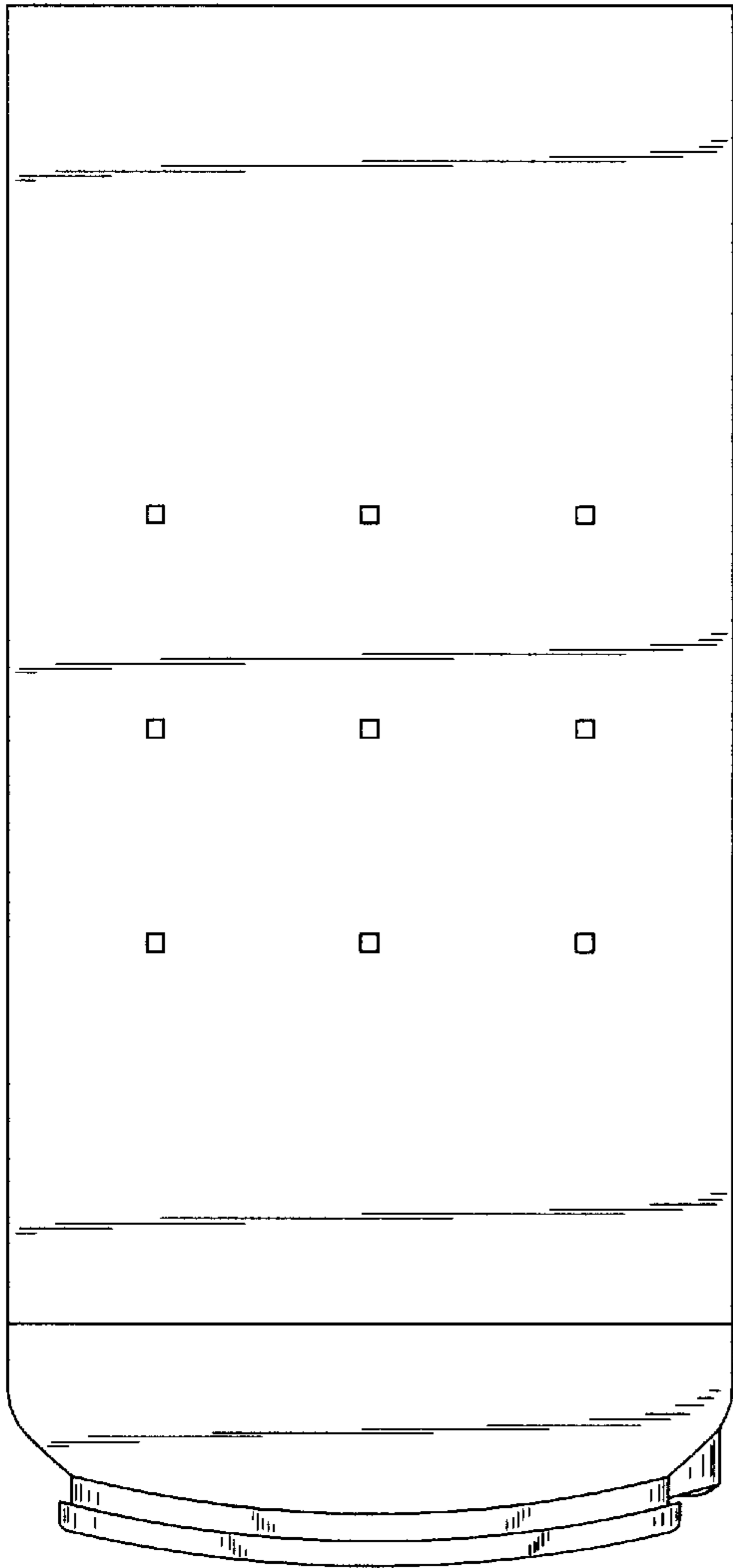


Fig. 6

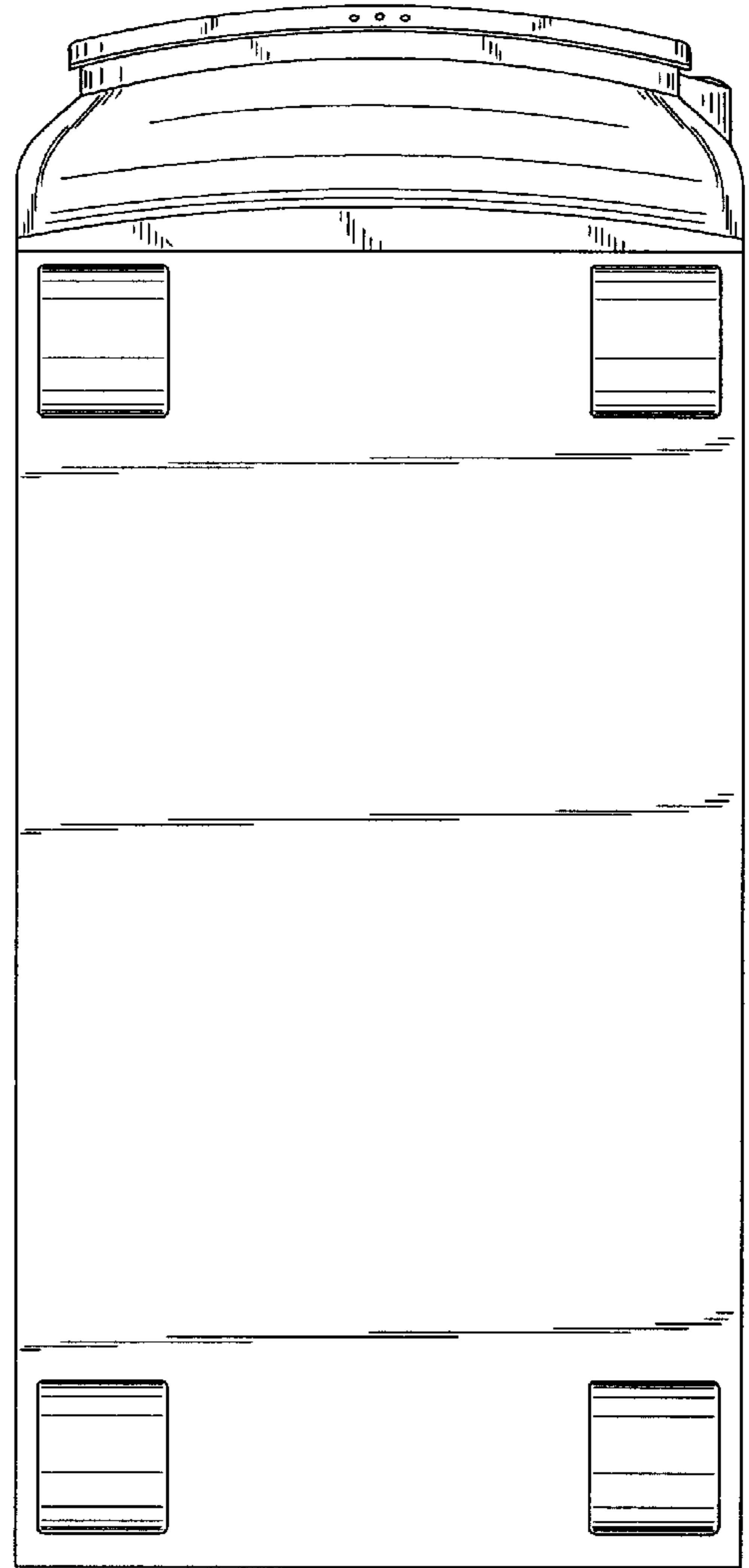


Fig. 7