



US00D466505S

(12) **United States Design Patent**
Chien et al.

(10) **Patent No.:** **US D466,505 S**

(45) **Date of Patent:** **** Dec. 3, 2002**

(54) **COMPUTER ENCLOSURE**

(75) Inventors: **Chieh Nan Chien**, Taipei (TW); **Fu Ming Chen**, Taipei (TW); **Yin Sheng Yeh**, Taipei (TW)

(73) Assignee: **Hon Hai Precision Ind. Co., Ltd.**, Taipei Hsien (TW)

(**) Term: **14 Years**

(21) Appl. No.: **29/151,256**

(22) Filed: **Nov. 29, 2001**

(30) **Foreign Application Priority Data**

Nov. 2, 2001 (TW) 090307060

(51) **LOC (7) Cl.** **14-02**

(52) **U.S. Cl.** **D14/349**

(58) **Field of Search** D14/349, 353, D14/354, 356; D13/162, 184, 199; 312/223.1-223.3; 360/99.01-99.12; 361/680-686, 690-696; 369/34.01, 36.01

(56) **References Cited**

U.S. PATENT DOCUMENTS

D427,162 S * 6/2000 Nagase D14/353

D433,681 S * 11/2000 Jean et al. D14/349

* cited by examiner

Primary Examiner—Freda Nunn

(74) *Attorney, Agent, or Firm*—Wei Te Chung

(57) **CLAIM**

The ornamental design for a computer enclosure, as shown.

DESCRIPTION

FIG. 1 is a perspective view of a computer enclosure showing our new design;

FIG. 2 is a front elevational view thereof;

FIG. 3 is a rear elevational view thereof;

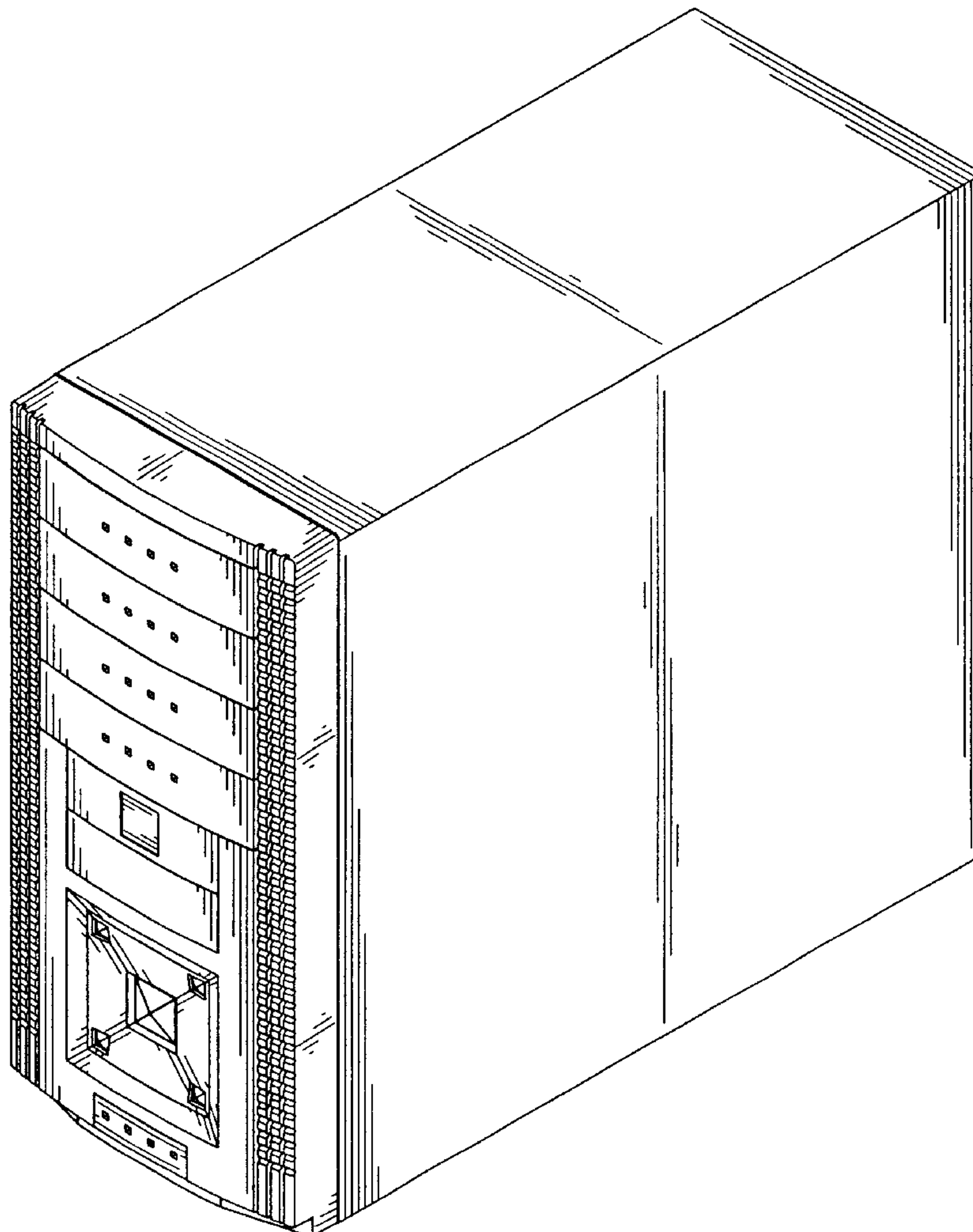
FIG. 4 is a left side elevational view thereof;

FIG. 5 is a right side elevational view thereof;

FIG. 6 is a top plan view thereof; and,

FIG. 7 is a bottom plan view thereof.

1 Claim, 7 Drawing Sheets



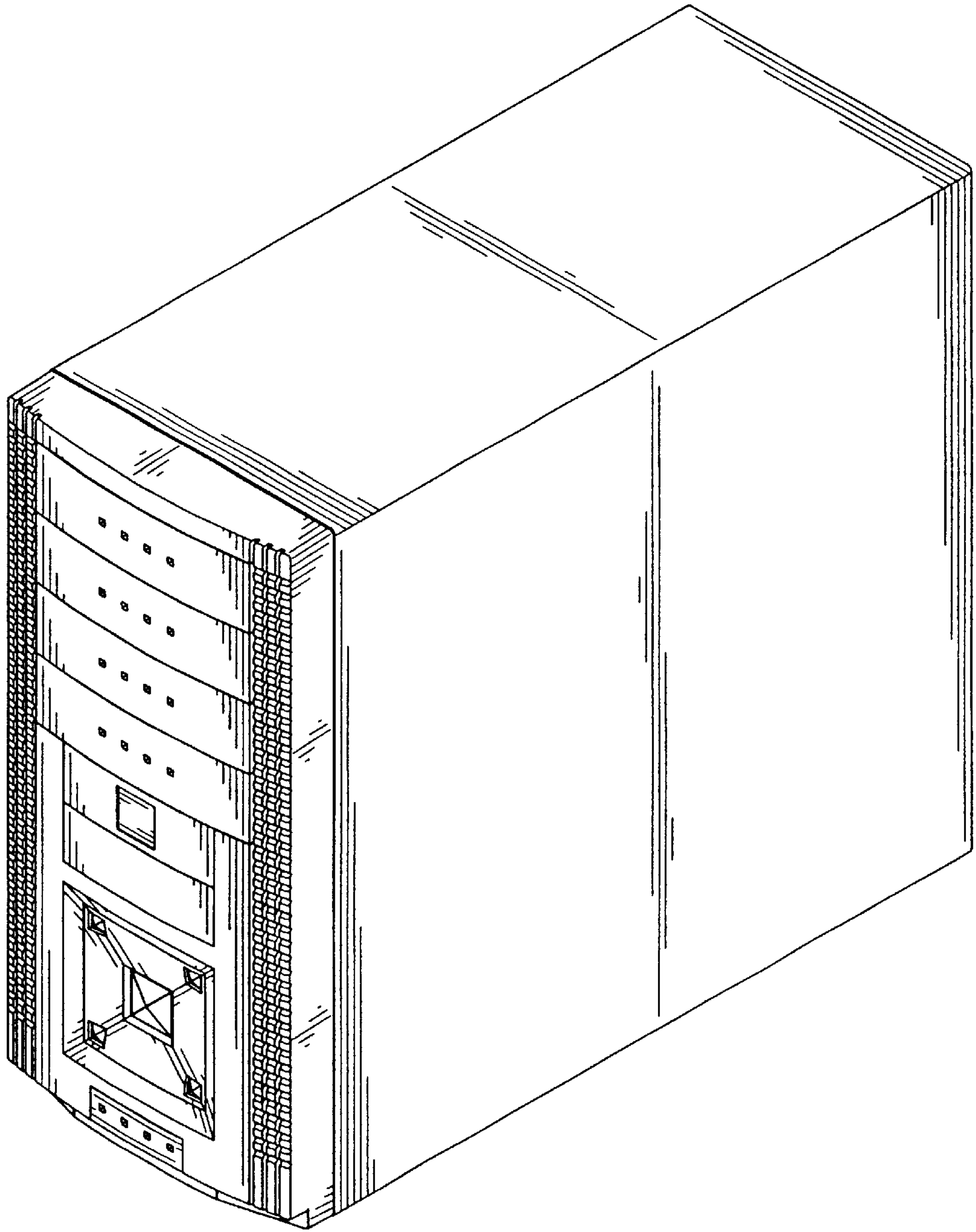


FIG. 1

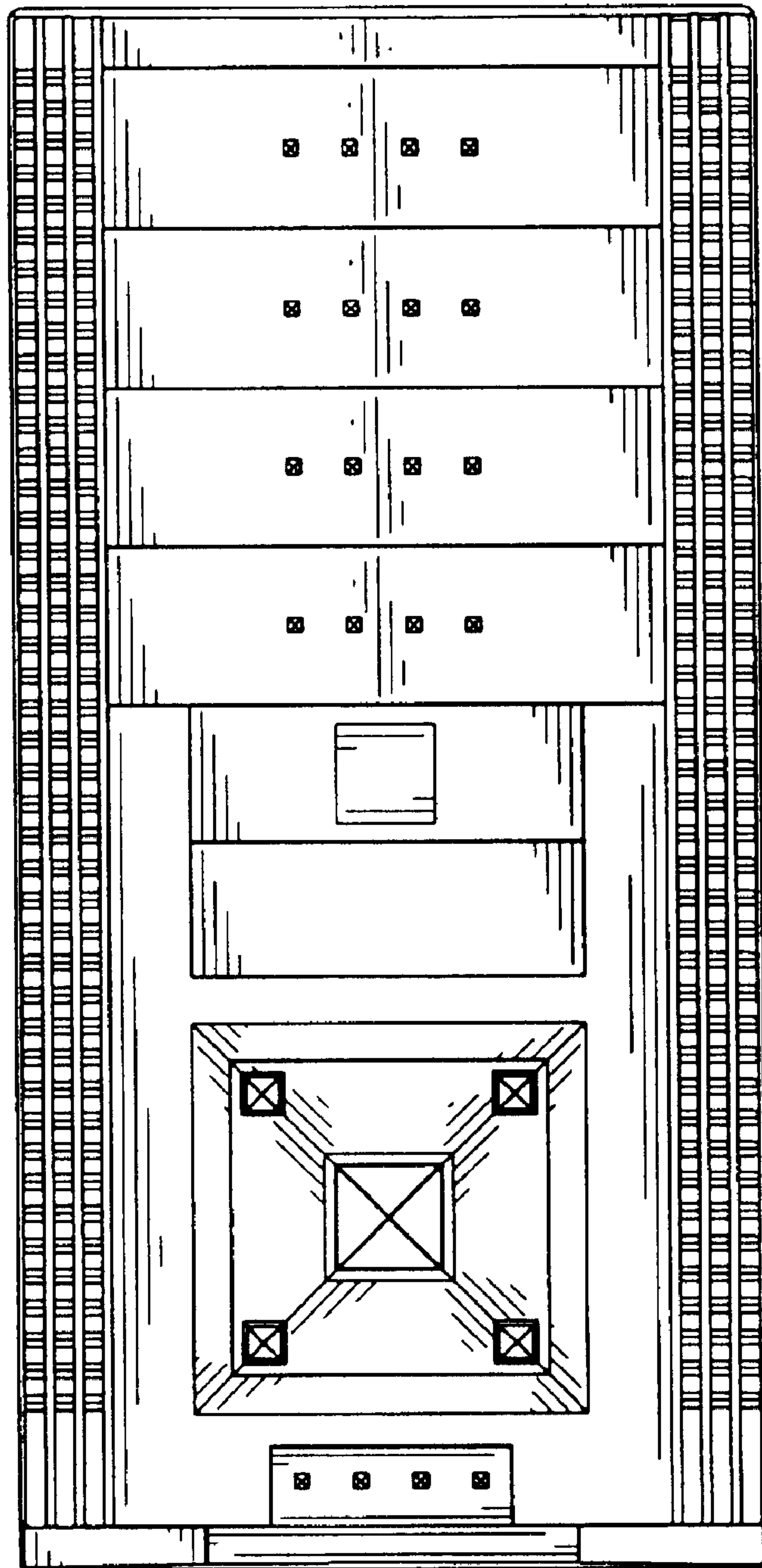


FIG. 2

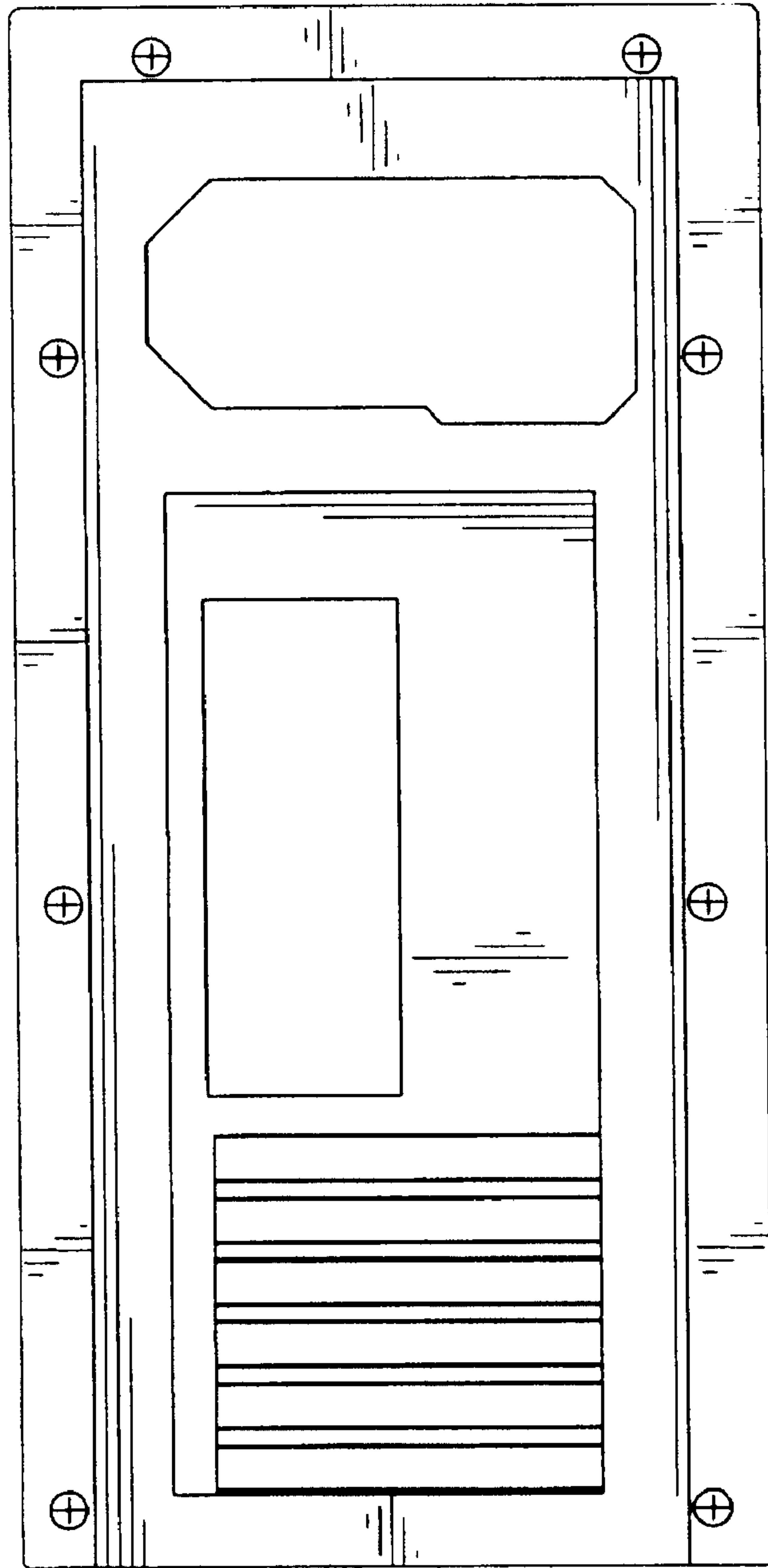


FIG. 3

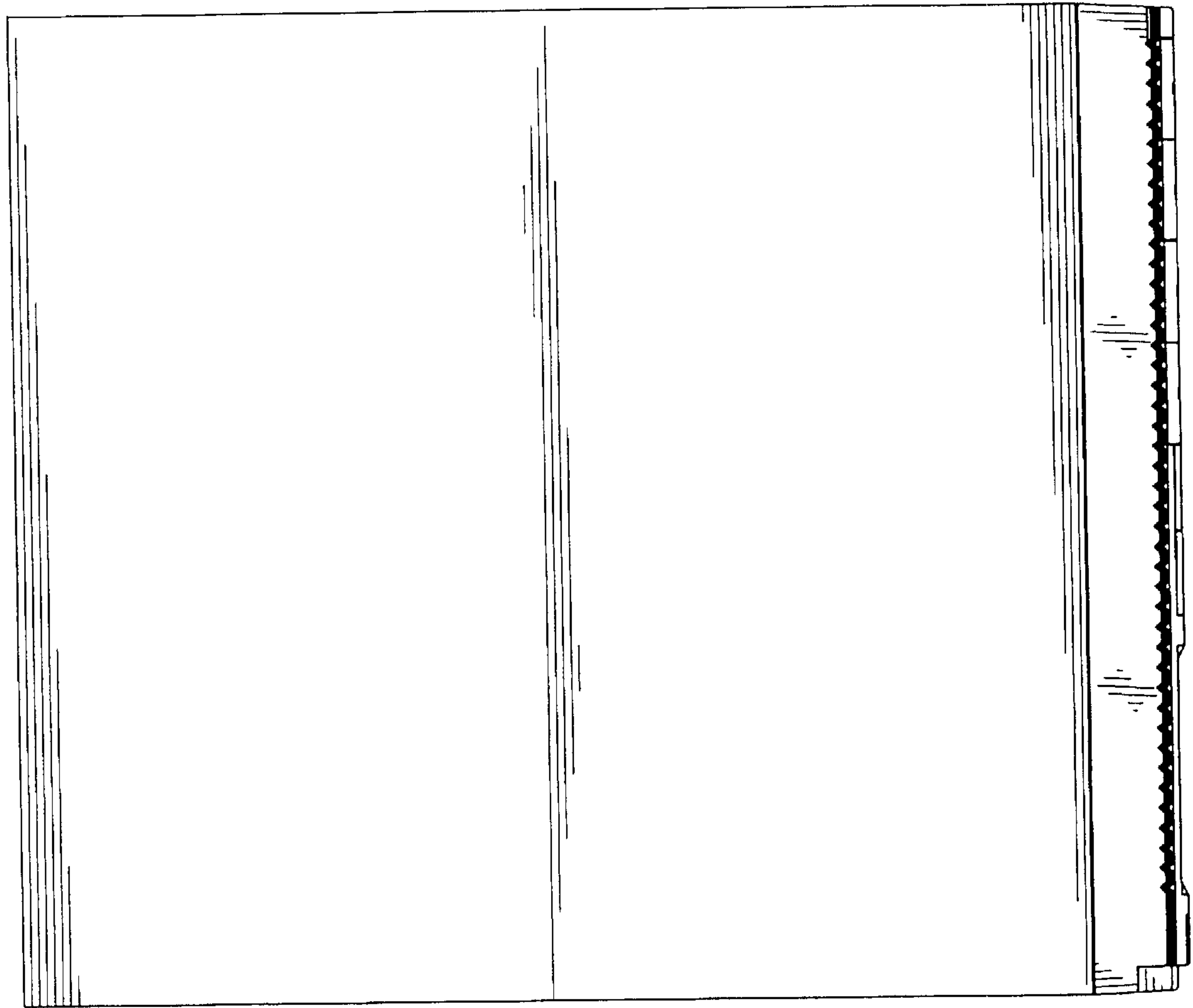


FIG. 4

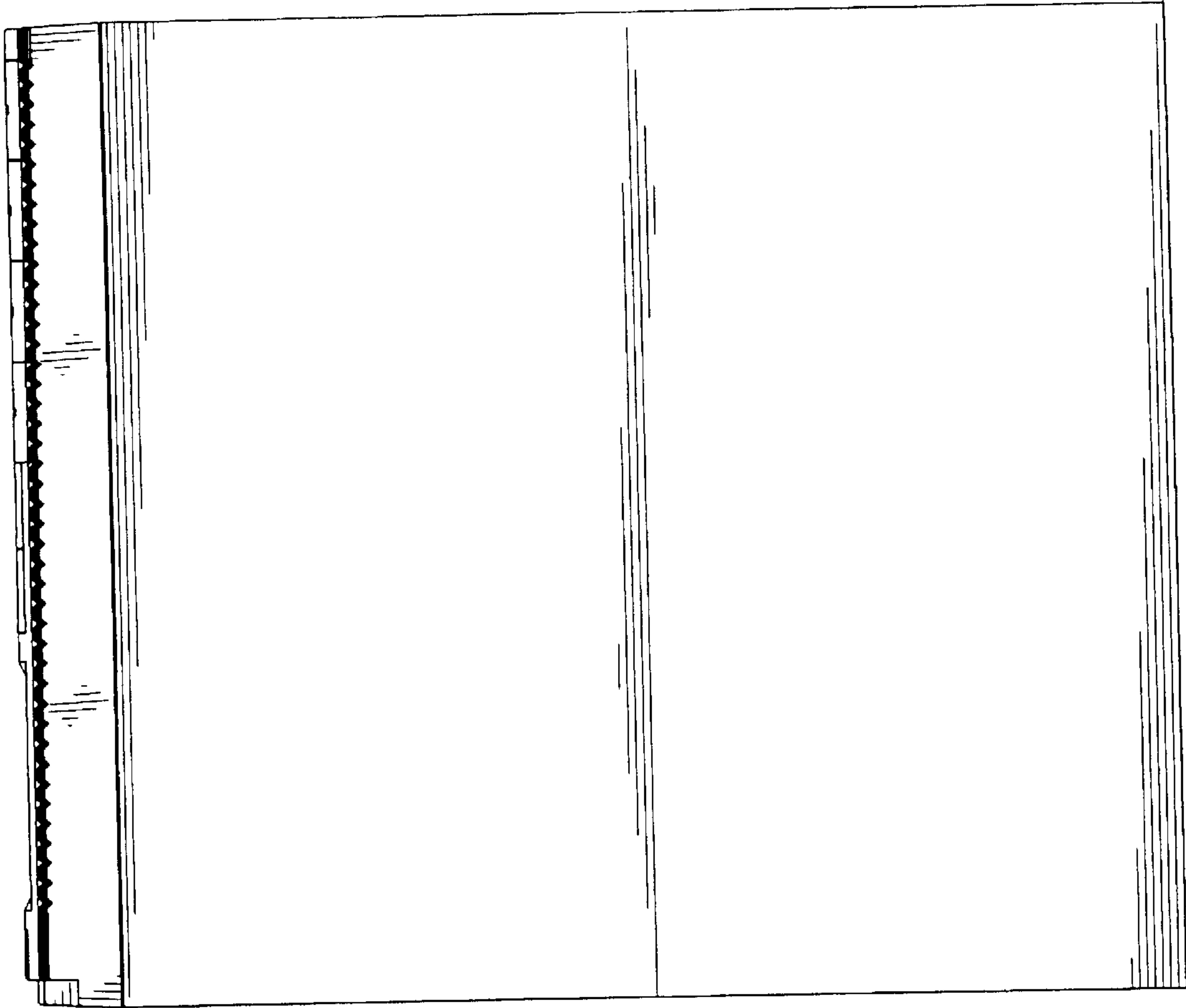


FIG. 5

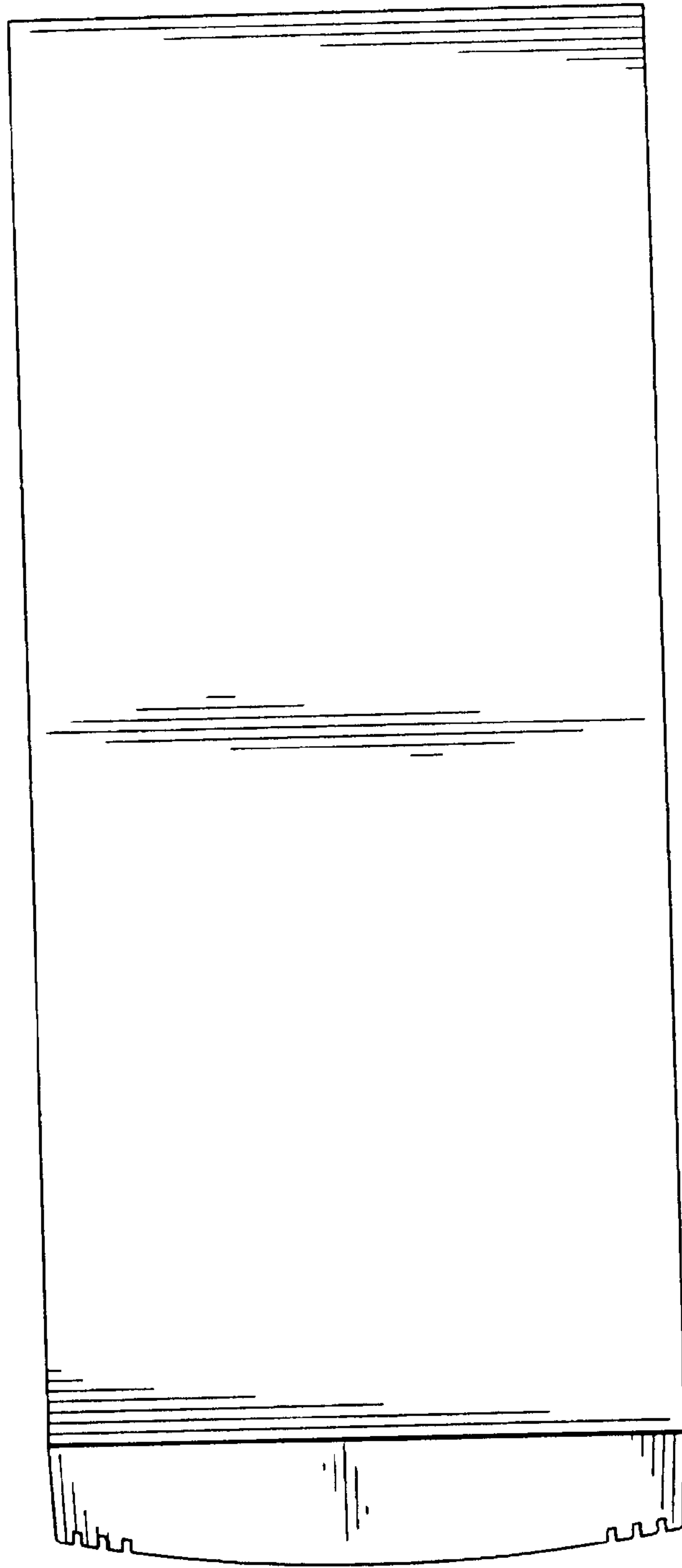


FIG. 6

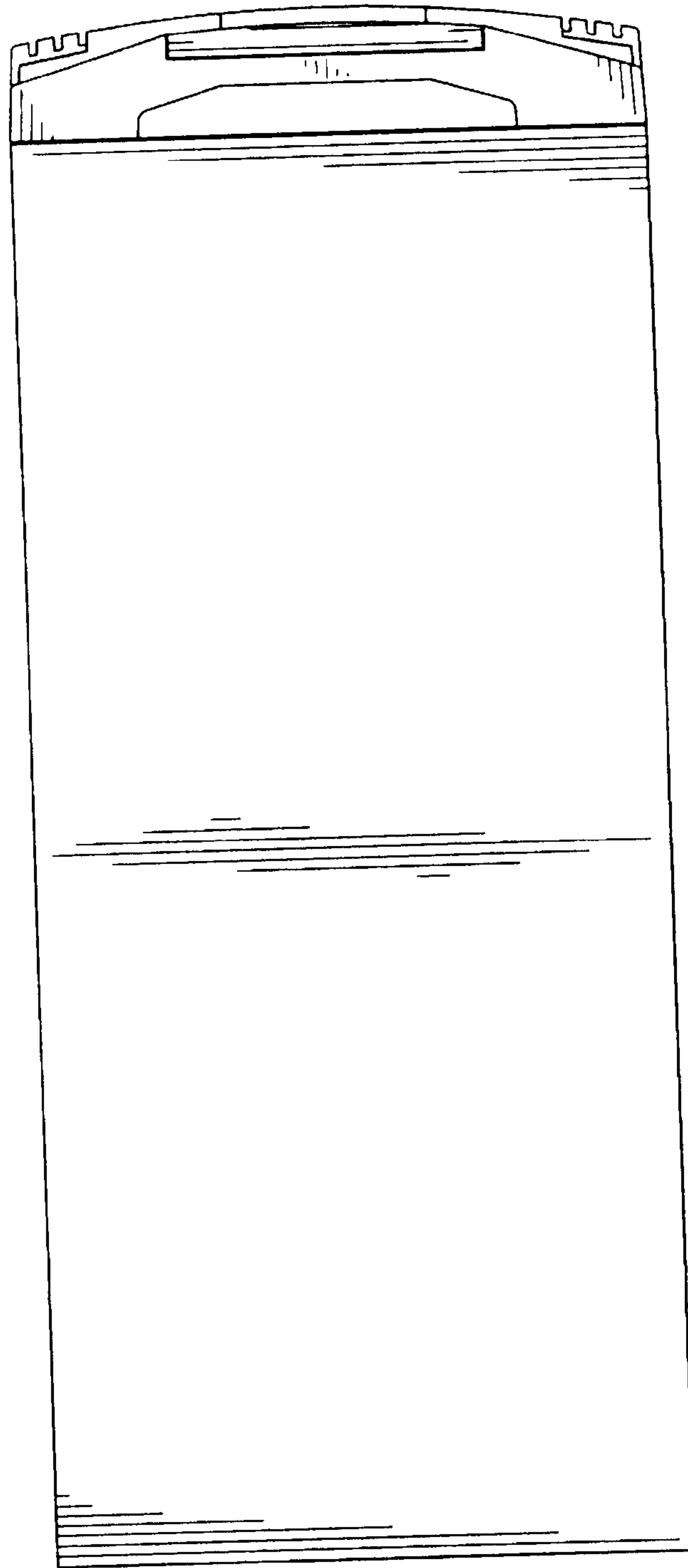


FIG. 7