



US00D466501S

(12) **United States Design Patent**
Hirota

(10) **Patent No.:** **US D466,501 S**

(45) **Date of Patent:** **** Dec. 3, 2002**

(54) **COORDINATE INPUT DEVICE WITH DISPLAY UNIT**

(75) Inventor: **Masuo Hirota**, Otone-machi (JP)

(73) Assignee: **Kabushikikaisha Wacom** (JP)

(**) Term: **14 Years**

(21) Appl. No.: **29/154,469**

(22) Filed: **Jan. 23, 2002**

(30) **Foreign Application Priority Data**

Sep. 11, 2001 (JP) 2001-026674

(51) **LOC (7) Cl.** **14-02**

(52) **U.S. Cl.** **D14/339**

(58) **Field of Search** D14/341-346,
D14/336, 339; D18/1, 2, 7; 235/145 A,
145 R; 341/22, 23; 345/156, 168, 169,
172, 173; 349/12; 361/680-686; 33/1 M,
443; D10/63

(56) **References Cited**

U.S. PATENT DOCUMENTS

2,424,630 A * 7/1947 Perez 33/443

4,611,406 A * 9/1986 Engstrom et al. 33/443
D340,701 S * 10/1993 Takeuchi D14/341
D372,019 S * 7/1996 Ive et al. D14/366
D408,794 S * 4/1999 Ogasawara D14/341
D438,201 S * 2/2001 Ogawa et al. D14/336
D451,505 S * 12/2001 Iseki et al. D14/341

* cited by examiner

Primary Examiner—Freda Nunn

(74) *Attorney, Agent, or Firm*—Adams & Wilks

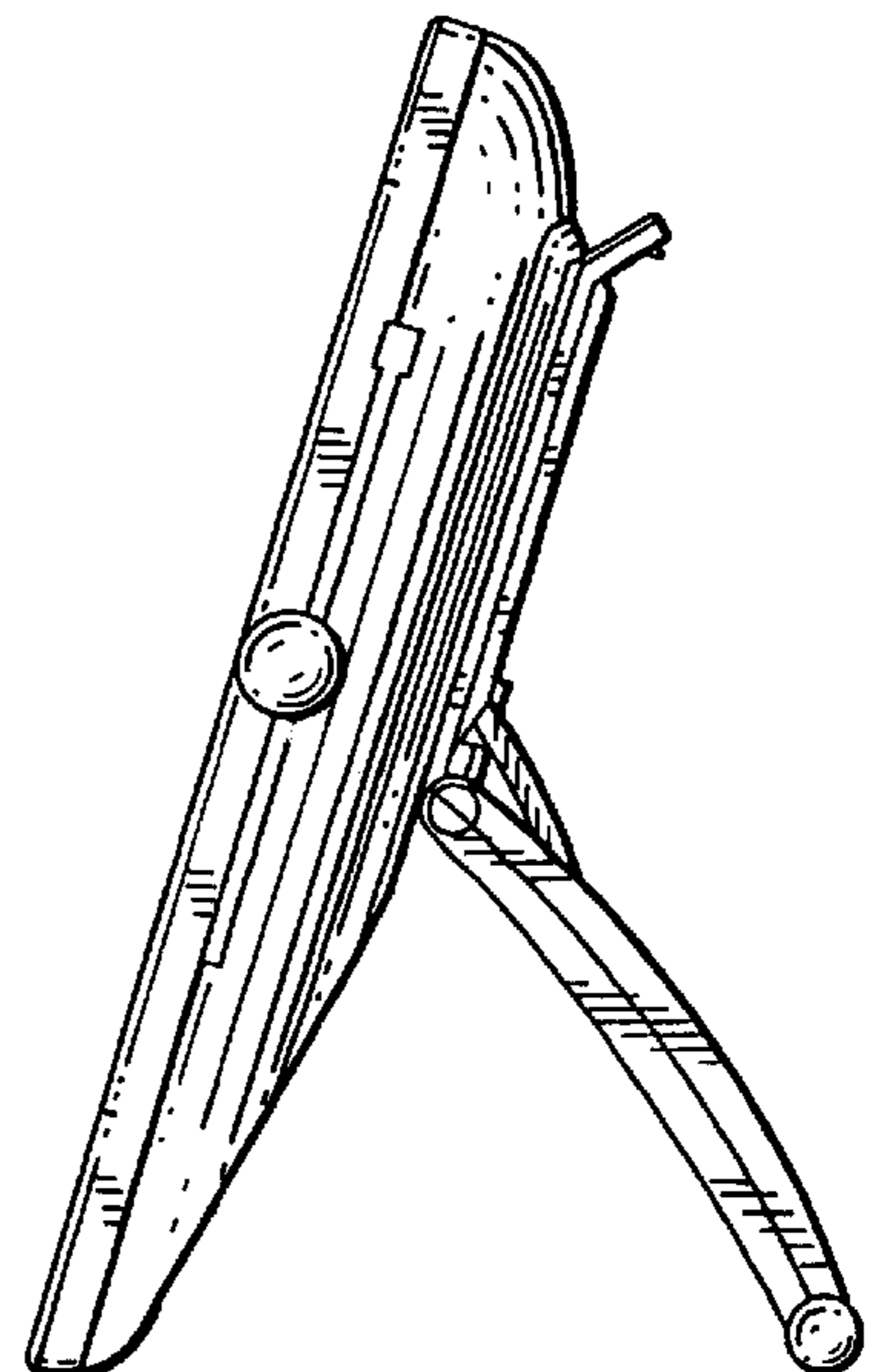
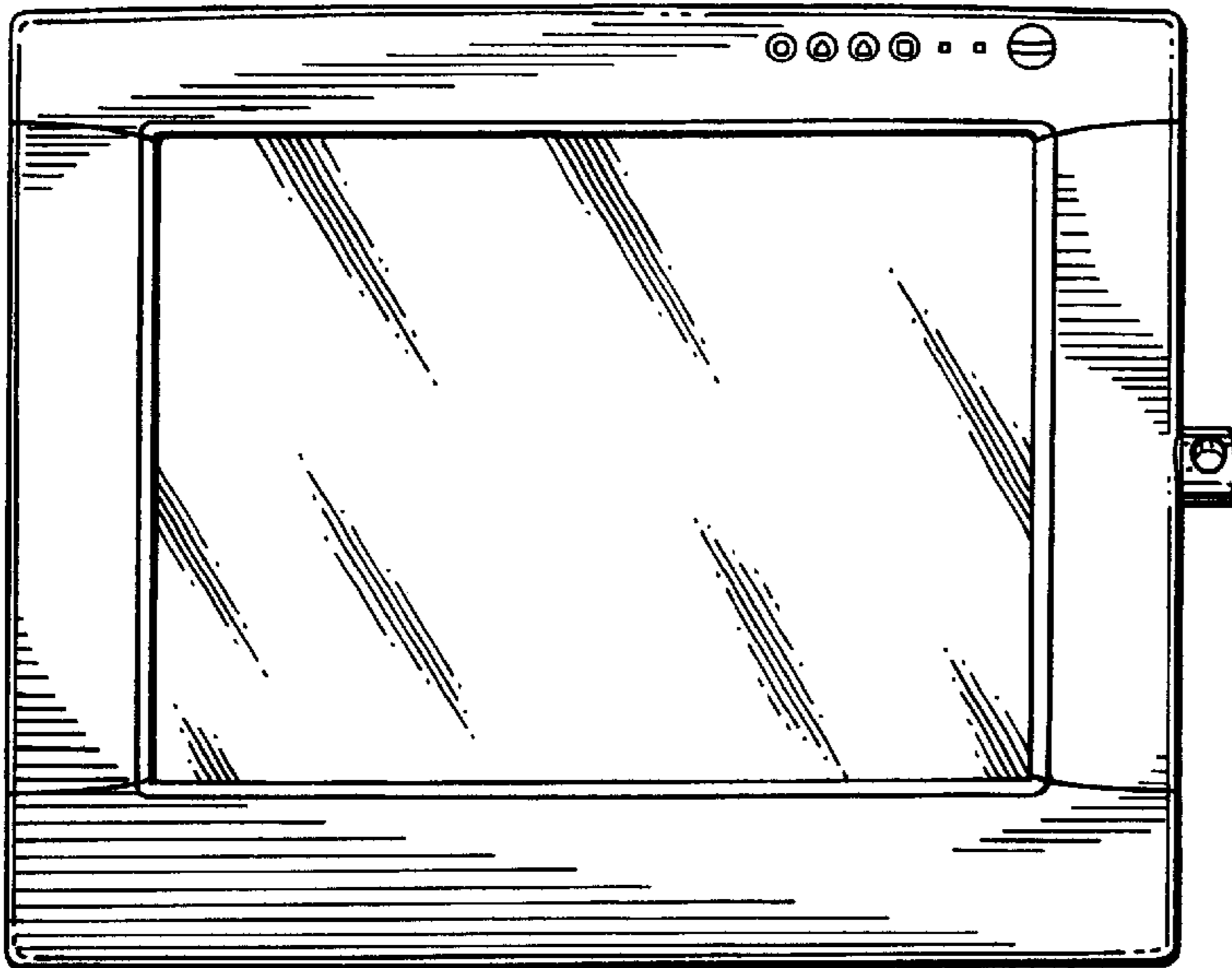
(57) **CLAIM**

The ornamental design for a coordinate input device with display unit, as shown and described.

DESCRIPTION

FIG. 1 is a front elevational view of a coordinate input device with display unit showing my new design;
FIG. 2 is a rear elevational view thereof;
FIG. 3 is a left side elevational view thereof;
FIG. 4 is a right side elevational view thereof;
FIG. 5 is a top plan view thereof;
FIG. 6 is a bottom plan view thereof; and,
FIG. 7 is a left side elevational view thereof in a different posture.

1 Claim, 4 Drawing Sheets



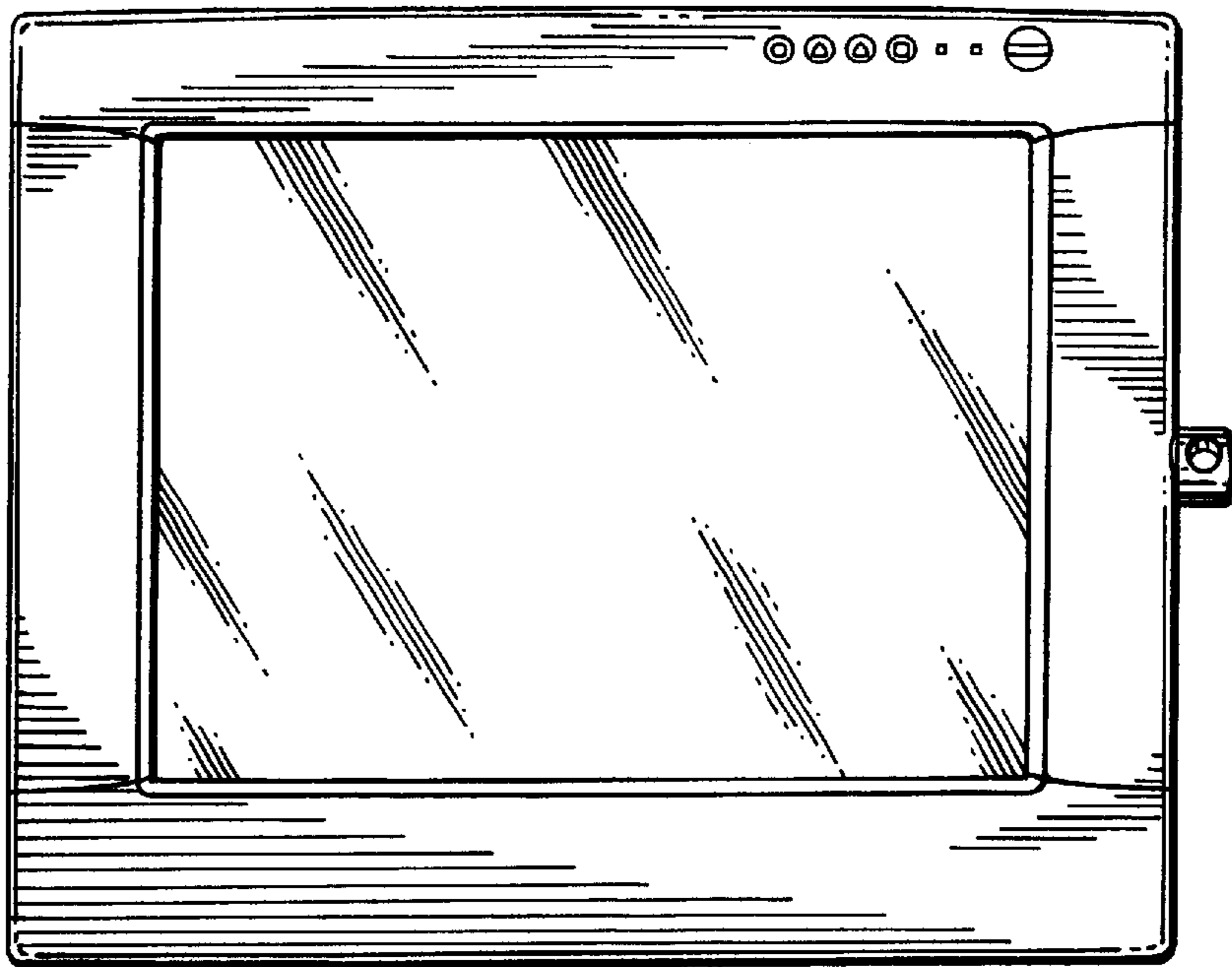


FIG. 1

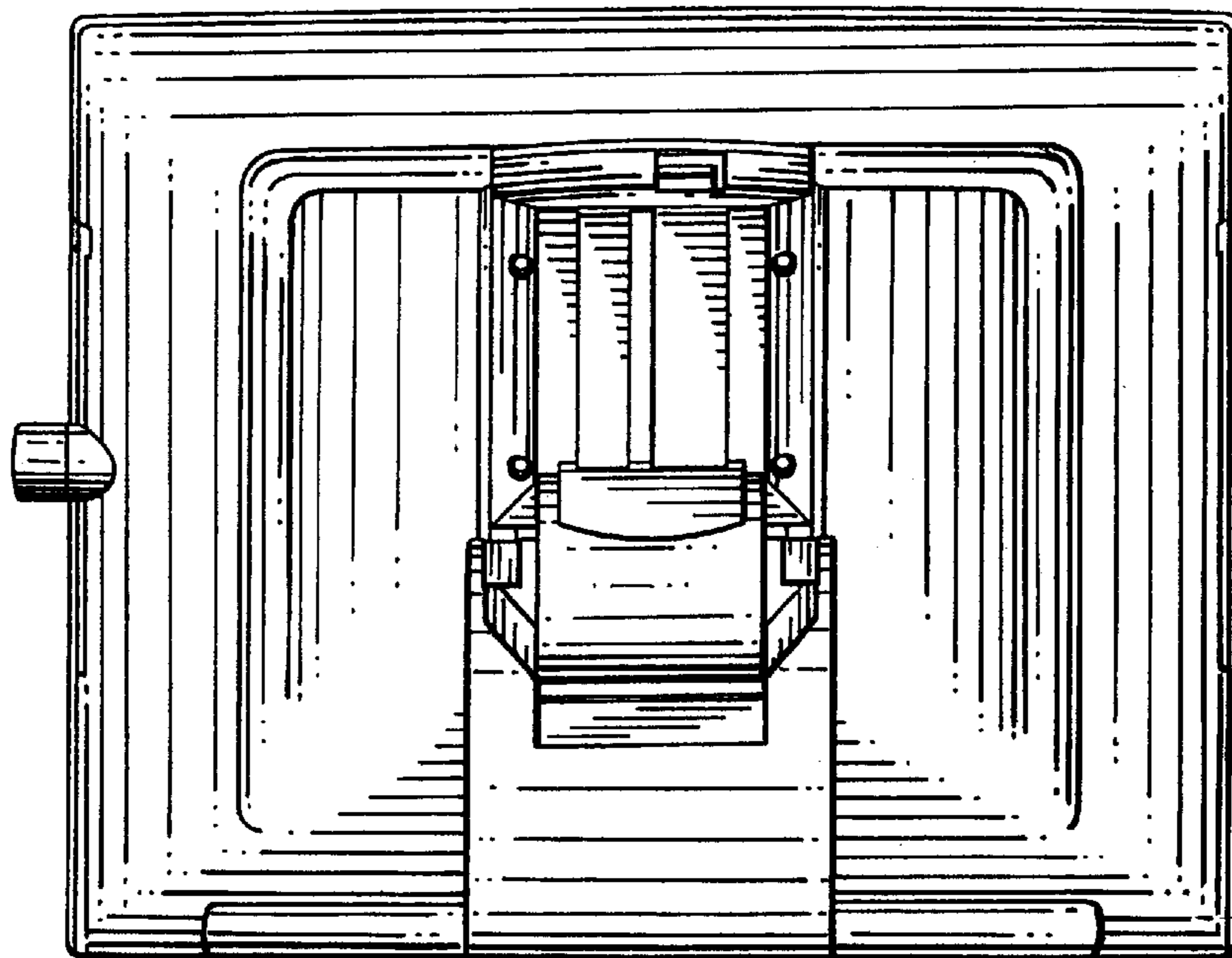


FIG. 2

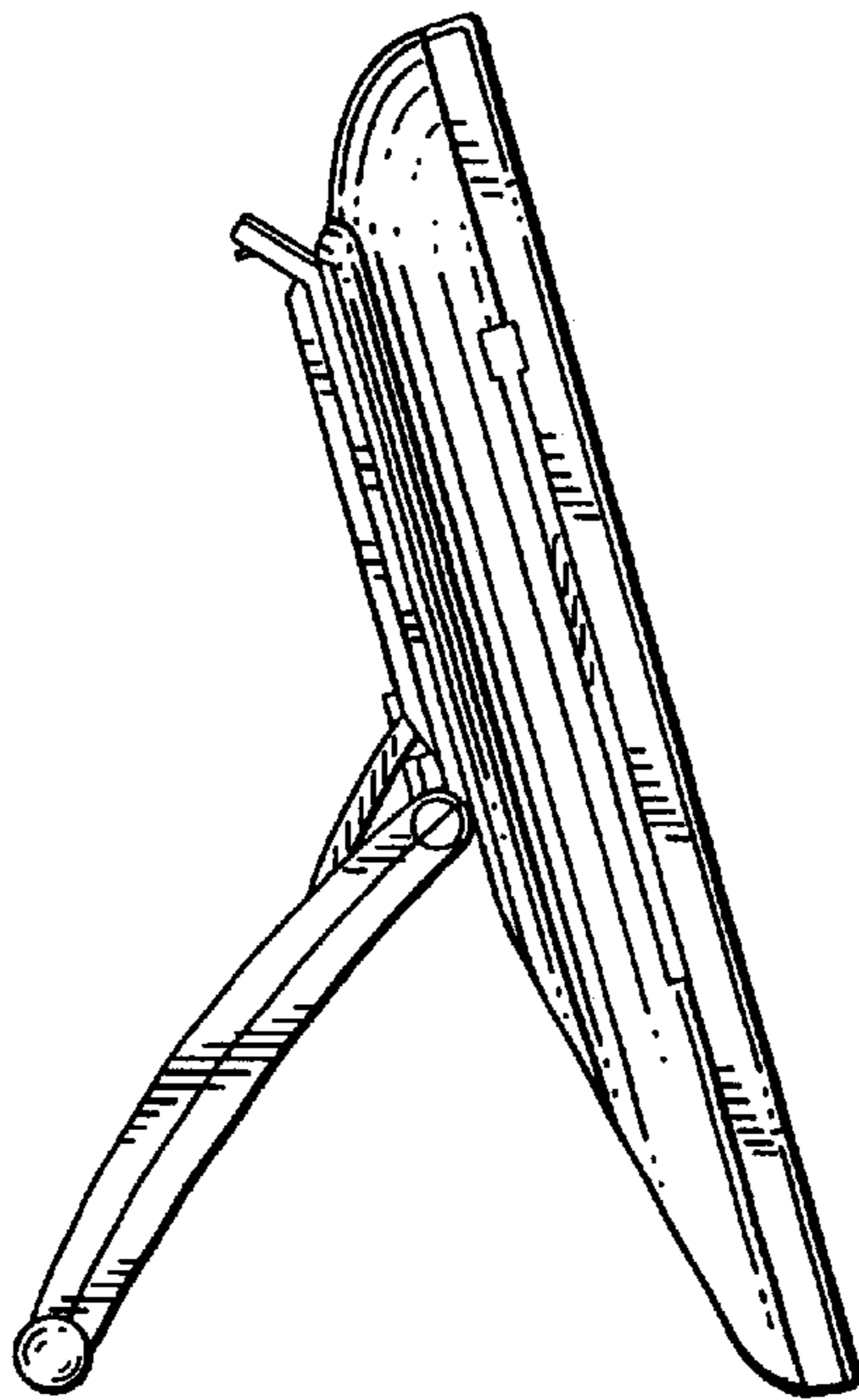


FIG. 3

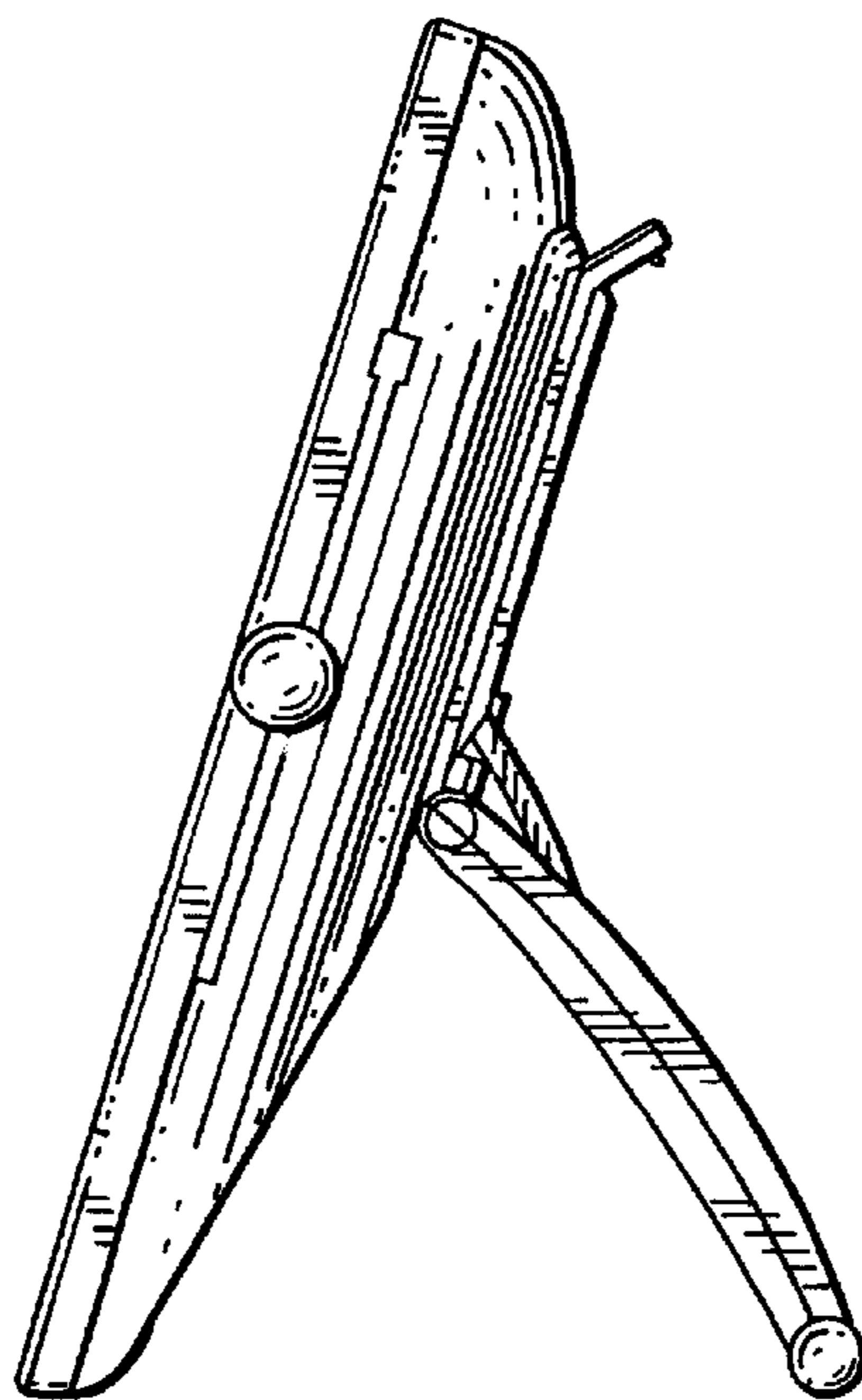


FIG. 4

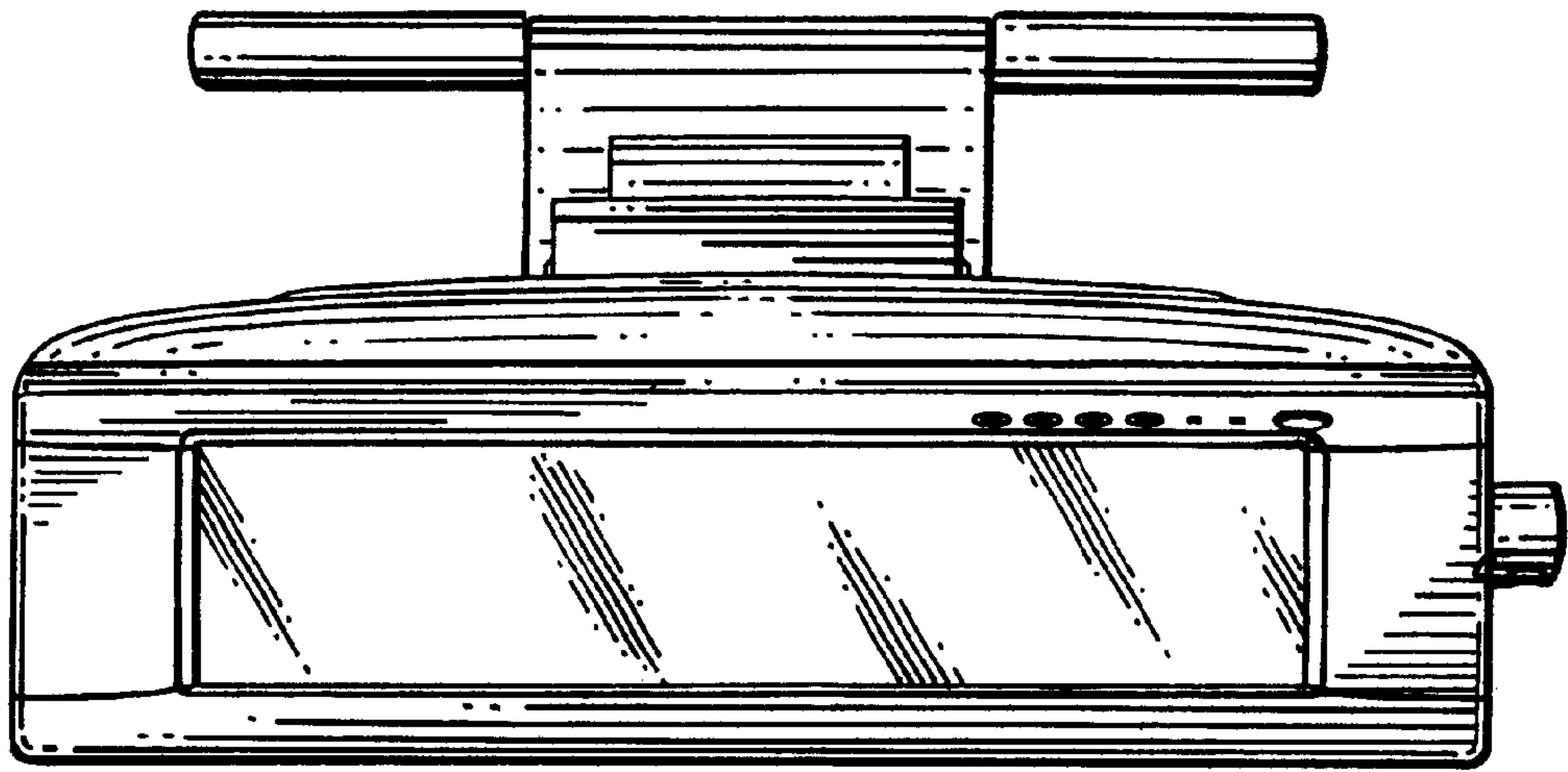


FIG. 5

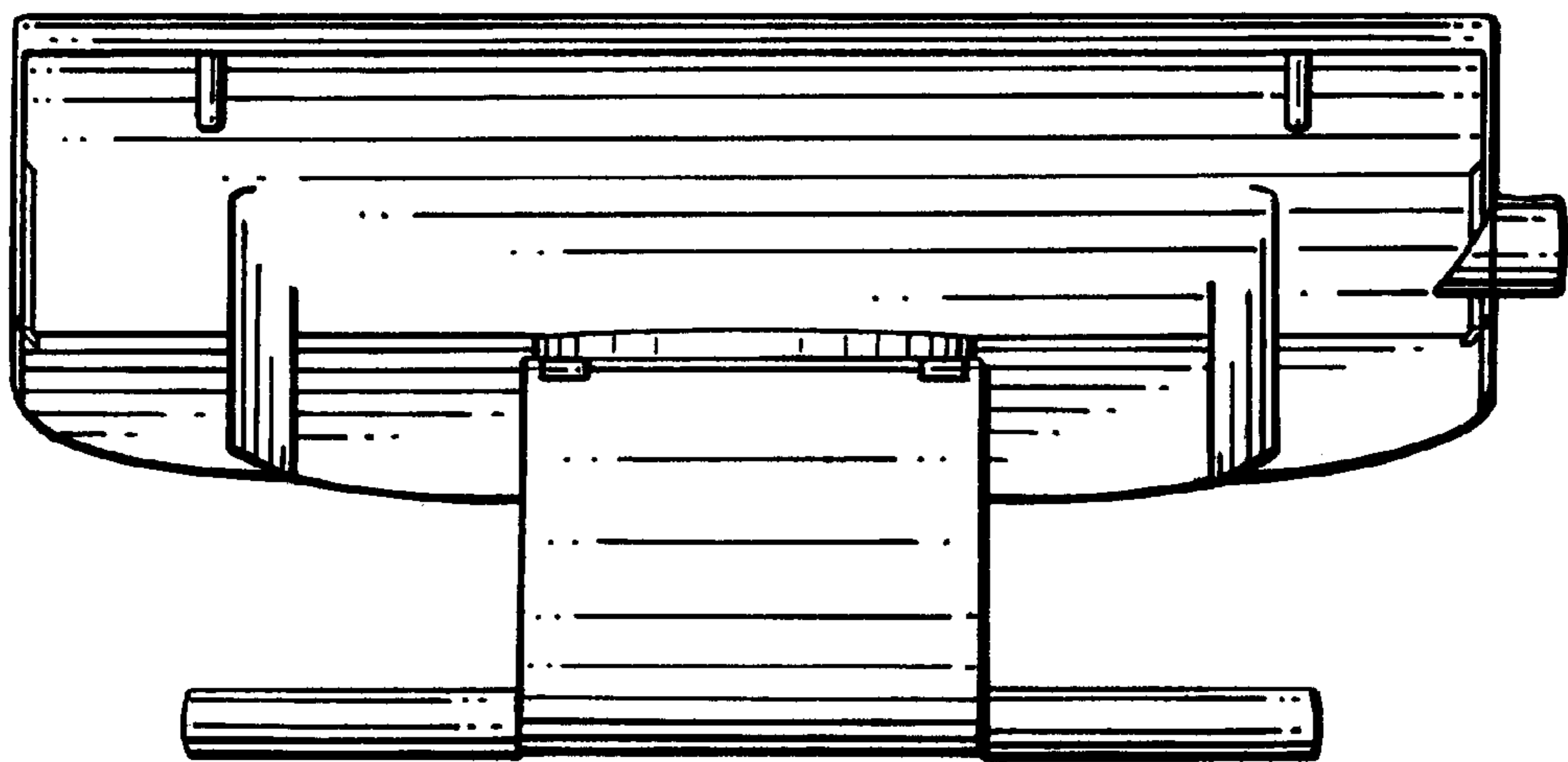


FIG. 6

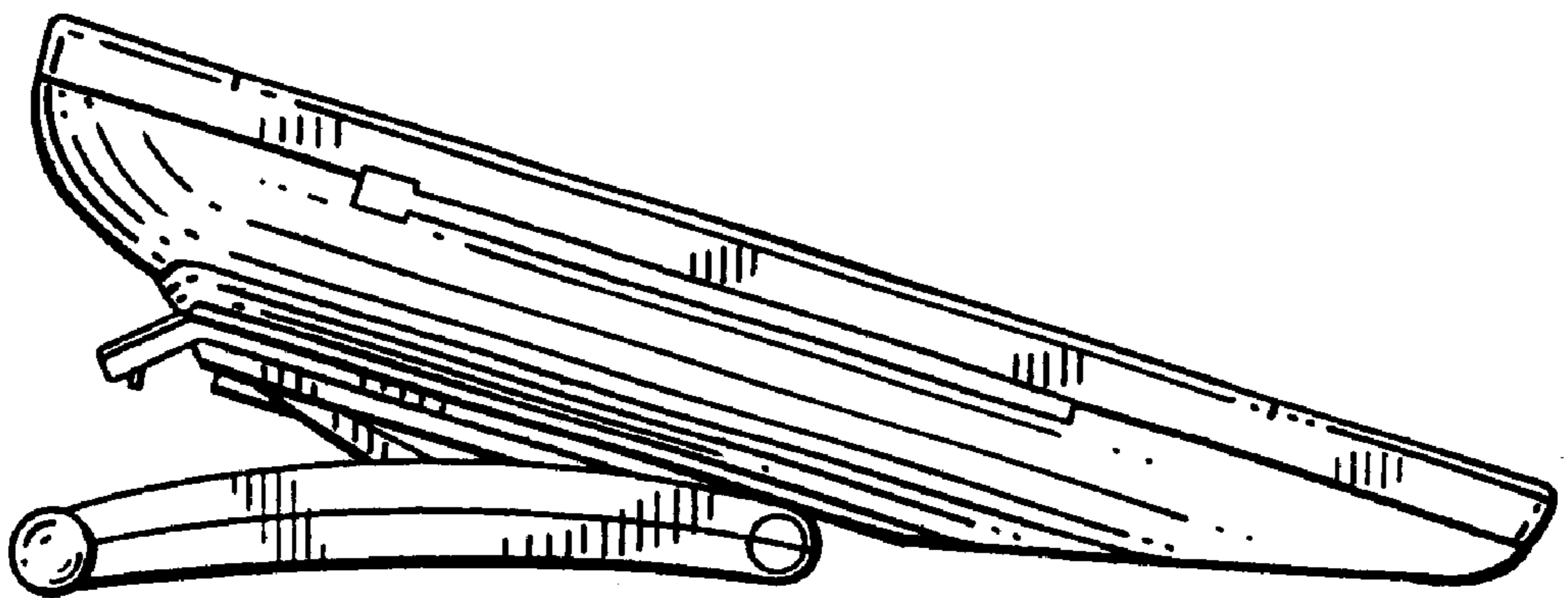


FIG. 7