



US00D466499S

(12) **United States Design Patent** (10) **Patent No.:** **US D466,499 S**
Nakano (45) **Date of Patent:** **** Dec. 3, 2002**

(54) **COMPUTER**

JP	955287	6/1996
JP	1014967	7/1998

(75) Inventor: **Rumi Nakano**, Tokyo (JP)

OTHER PUBLICATIONS

(73) Assignee: **Sony Corporation**, Tokyo (JP)

Home page "Apple I-Book", 2 pgs, Apple Computer Inc. (Mar. 2001).

(**) Term: **14 Years**

Catalog "If Design Award 1997, 1998 CF-25", 2 pgs, Panasonic (1997 & 1998).

(21) Appl. No.: **29/145,270**

Home page "PetitWeb", 4 pgs, NTT (Apr. 2000).

(22) Filed: **Jul. 20, 2001**

* cited by examiner

(51) **LOC (7) Cl.** **14-02**

Primary Examiner—Freda Nunn

(52) **U.S. Cl.** **D14/327**

(74) *Attorney, Agent, or Firm*—Rader, Fishman & Grauer PLLC

(58) **Field of Search** D14/315, 328,
D14/322, 327; D18/1, 2, 7; 235/145 A,
145 R; 341/22, 23; 345/104, 156, 168,
169, 173; 361/680-686

(57) **CLAIM**

The ornamental design for a computer, as shown and described.

(56) **References Cited**

DESCRIPTION

U.S. PATENT DOCUMENTS

FIG. 1 is a perspective view of a computer showing my new design;

D310,517 S	*	9/1990	Hara et al.	D14/324
D313,403 S	*	1/1991	Esslinger et al.	D14/324
D334,738 S	*	4/1993	Kim	D14/324
D392,625 S	*	3/1998	Tang et al.	D14/324
D430,156 S	*	8/2000	Yamada	D14/328

FIG. 2 is a front elevational view thereof;

FIG. 3 is a rear elevational view thereof;

FIG. 4 is a left side elevational view thereof;

FIG. 5 is a right side elevational view thereof;

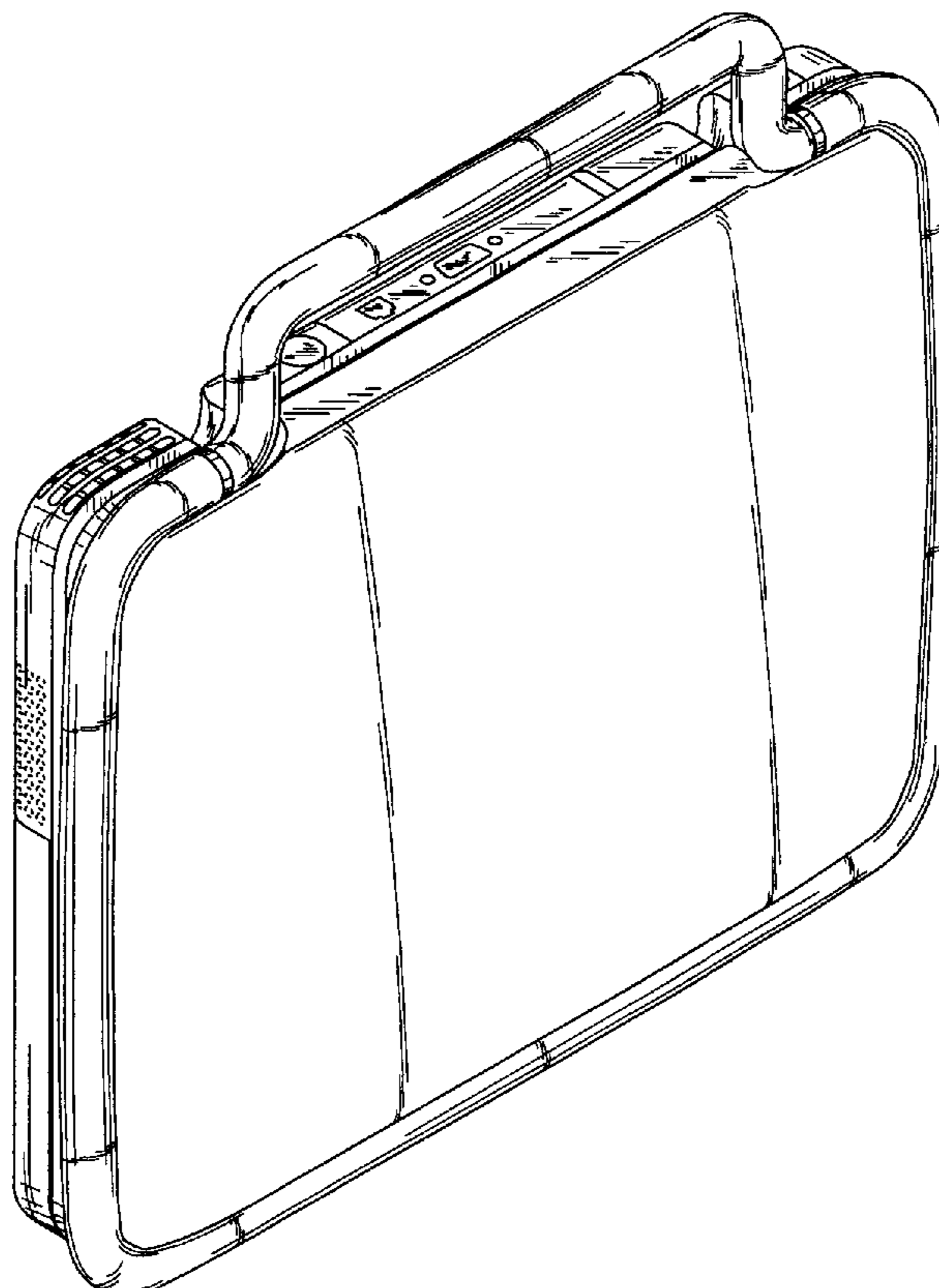
FIG. 6 is a top plan view thereof; and,

FIG. 7 is a bottom plan view thereof.

FOREIGN PATENT DOCUMENTS

JP	894367	3/1994
JP	938677	11/1995
JP	946656	2/1996

1 Claim, 4 Drawing Sheets



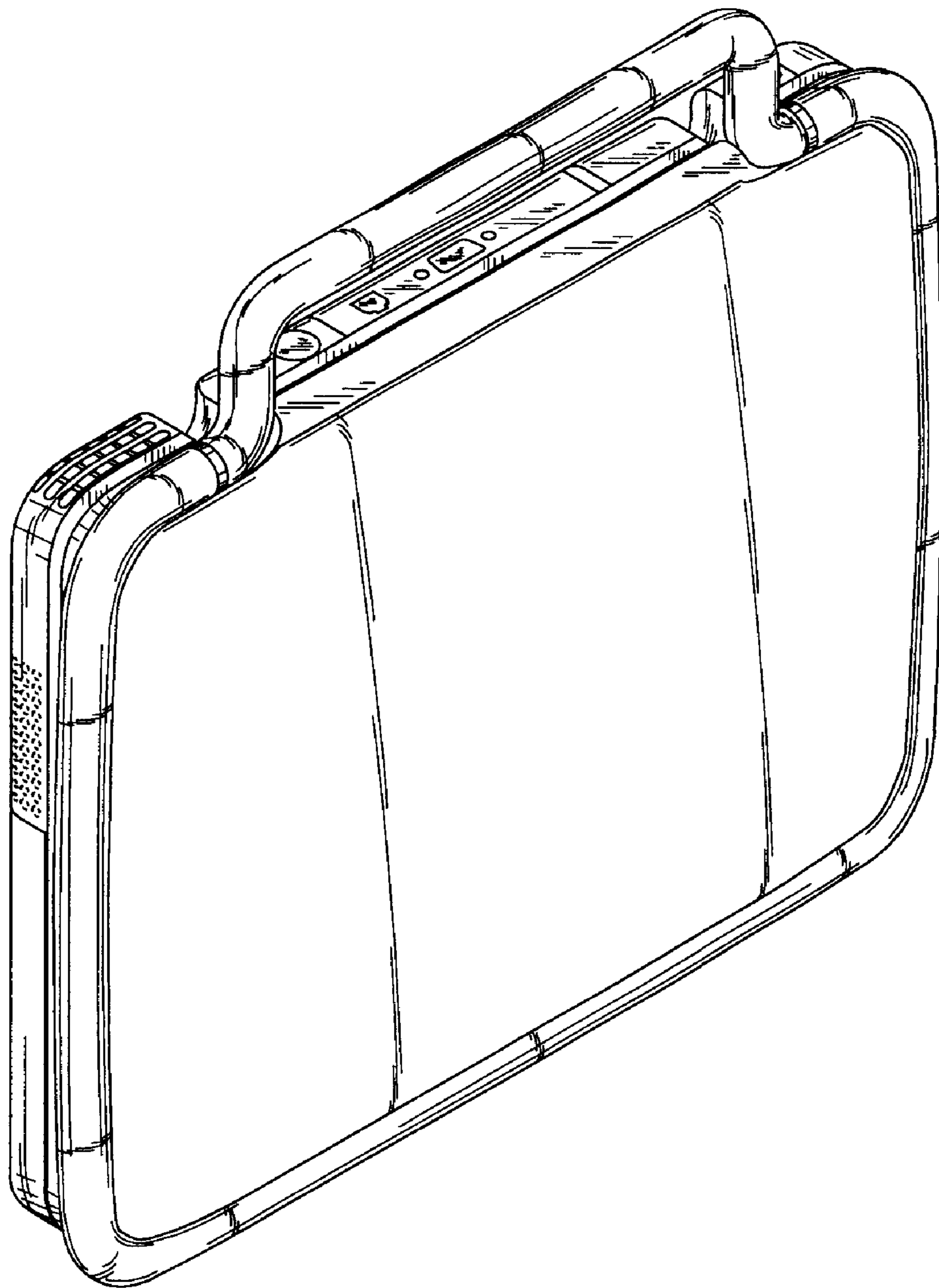


Fig. 1

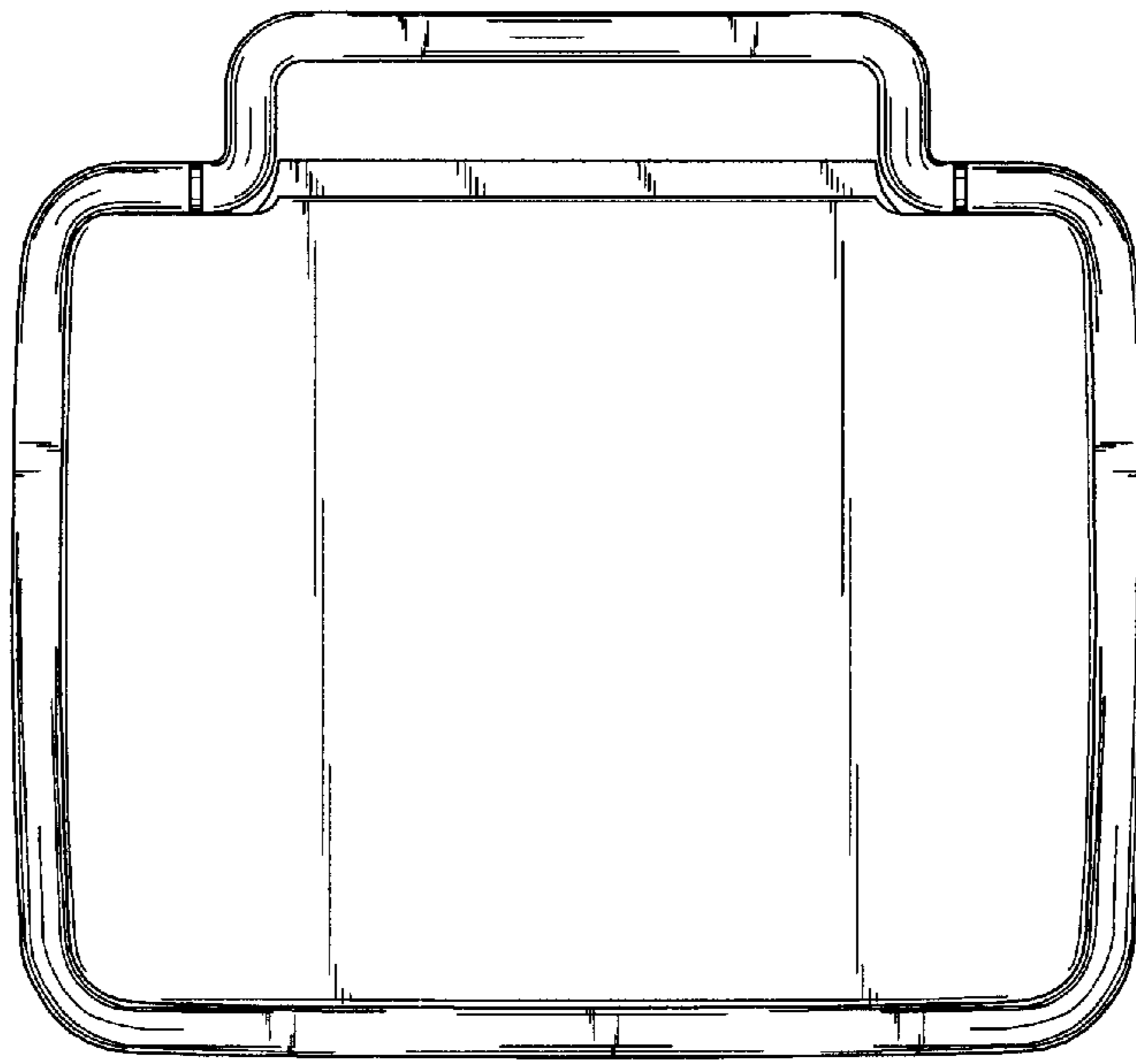


Fig. 2

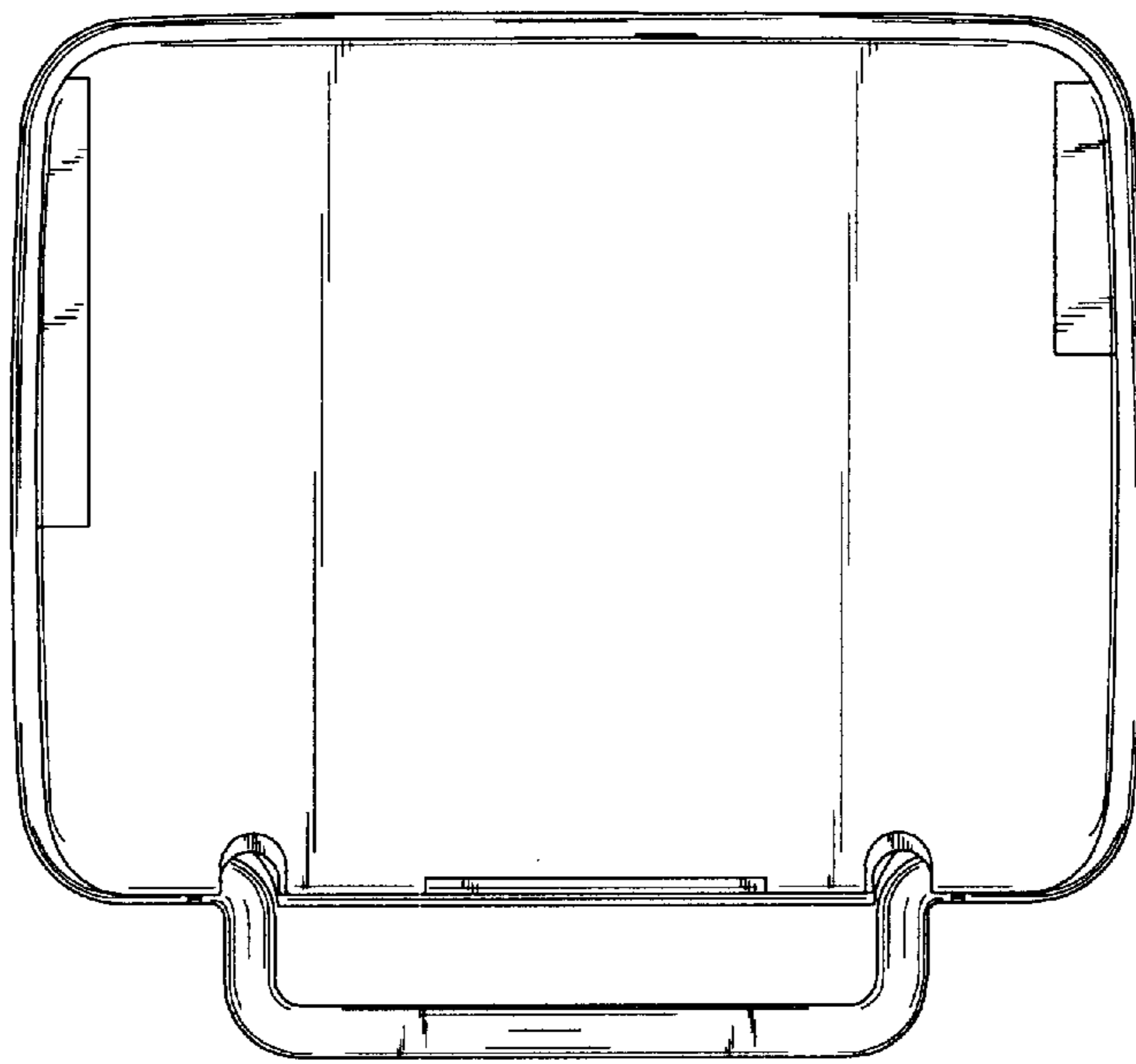


Fig. 3

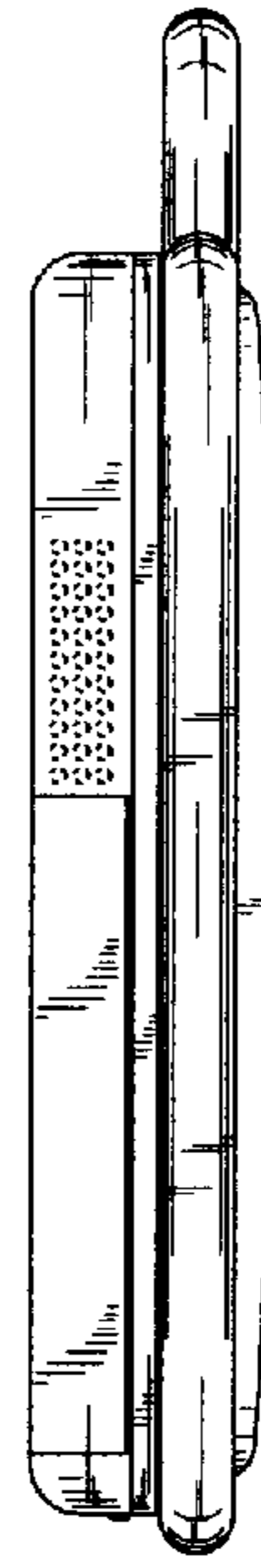


Fig. 4

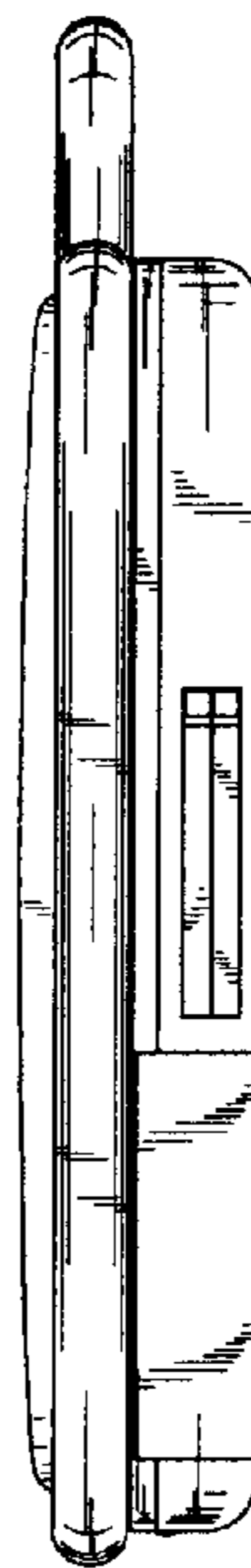


Fig. 5

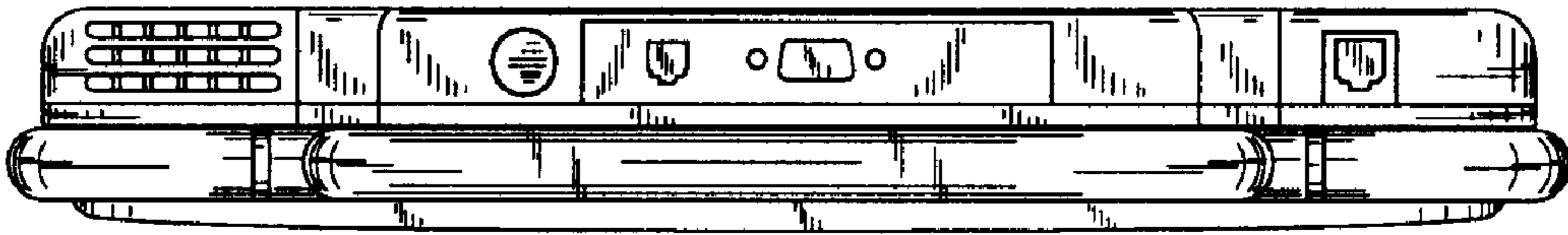


Fig. 6

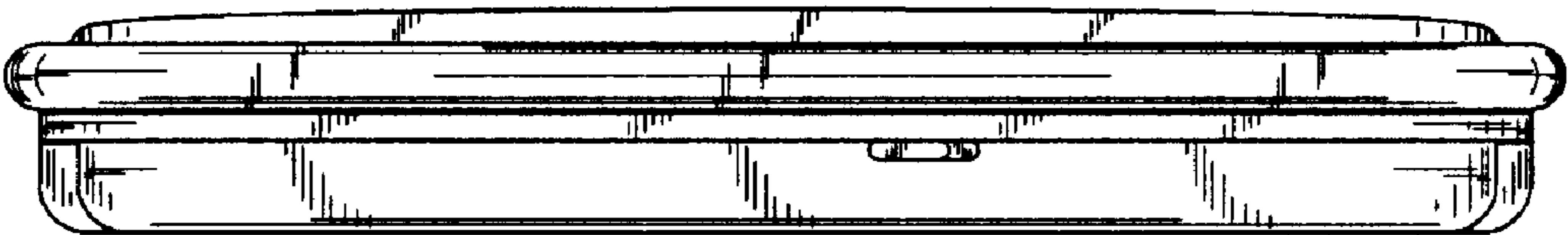


Fig. 7