



US00D466498S

(12) **United States Design Patent**  
**Wang**

(10) **Patent No.:** **US D466,498 S**

(45) **Date of Patent:** **\*\* Dec. 3, 2002**

(54) **NOTEBOOK**

6,205,021 B1 \* 3/2001 Klein et al. .... 345/167  
D444,464 S \* 7/2001 Amano et al. .... D14/322

(75) Inventor: **Adam Wang**, Pan Chiao (TW)

\* cited by examiner

(73) Assignee: **Elitegroup Computer Systems Co., Ltd.**, Taipei (TW)

*Primary Examiner*—Freda Nunn

(74) *Attorney, Agent, or Firm*—Rosenberg, Klein & Lee

(\*\*) Term: **14 Years**

(57) **CLAIM**

(21) Appl. No.: **29/152,639**

The ornamental design for a “notebook”, as shown and described.

(22) Filed: **Dec. 27, 2001**

**DESCRIPTION**

(51) **LOC (7) Cl.** ..... **14-02**

(52) **U.S. Cl.** ..... **D14/318**

(58) **Field of Search** ..... D14/315, 318,  
D14/319, 322; D18/1, 2, 7; 235/145 A,  
145 R; 341/22, 23; 345/104, 156, 167,  
168, 169, 173; 361/680–686; 400/486,  
489

FIG. 1 is the perspective view of a “notebook” showing my new design;

FIG. 2 is the front view thereof;

FIG. 3 is the rear view thereof;

FIG. 4 is the left side view thereof;

FIG. 5 is the right side view thereof;

FIG. 6 is the top view thereof;

FIG. 7 is the bottom view thereof; and,

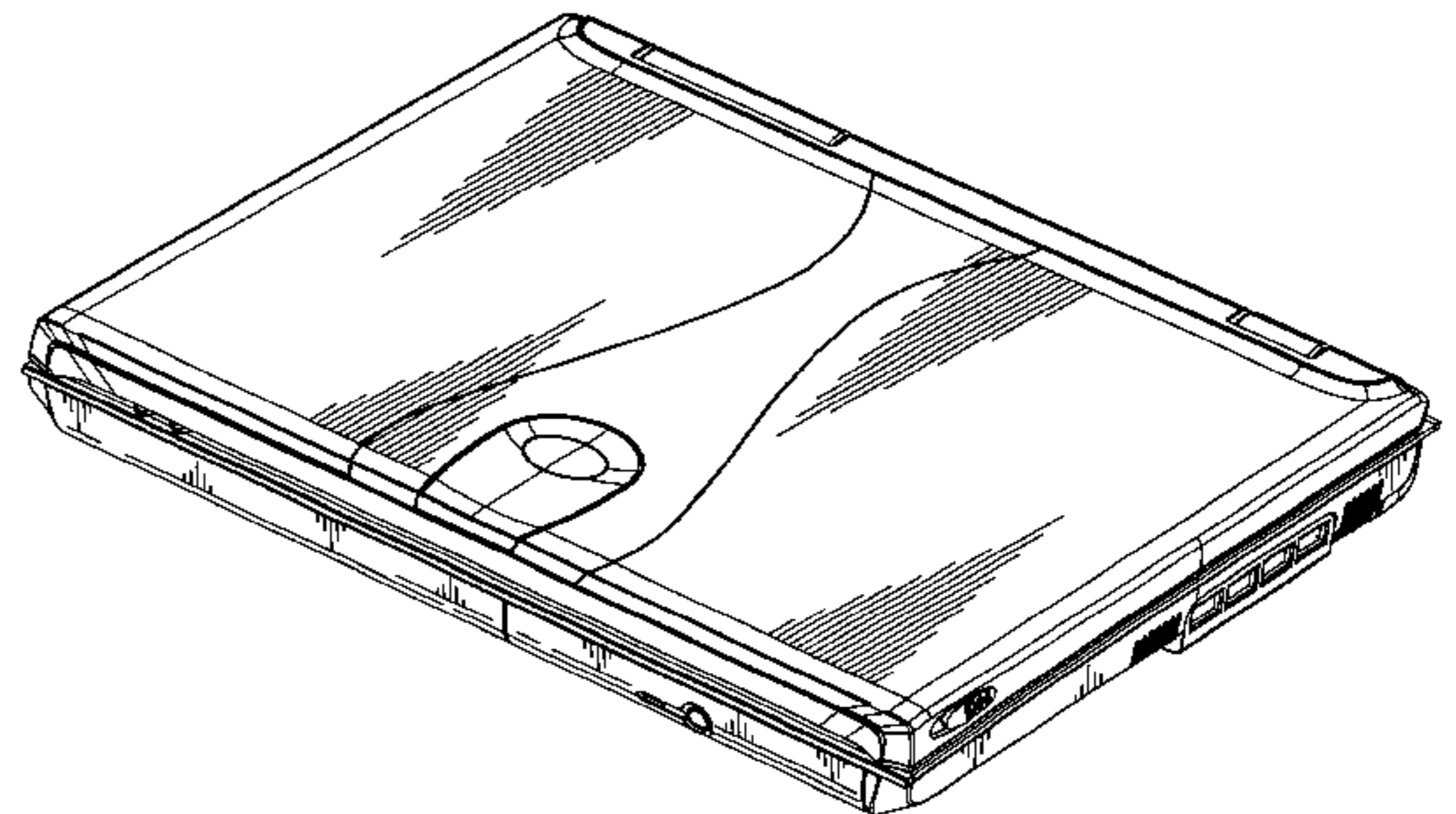
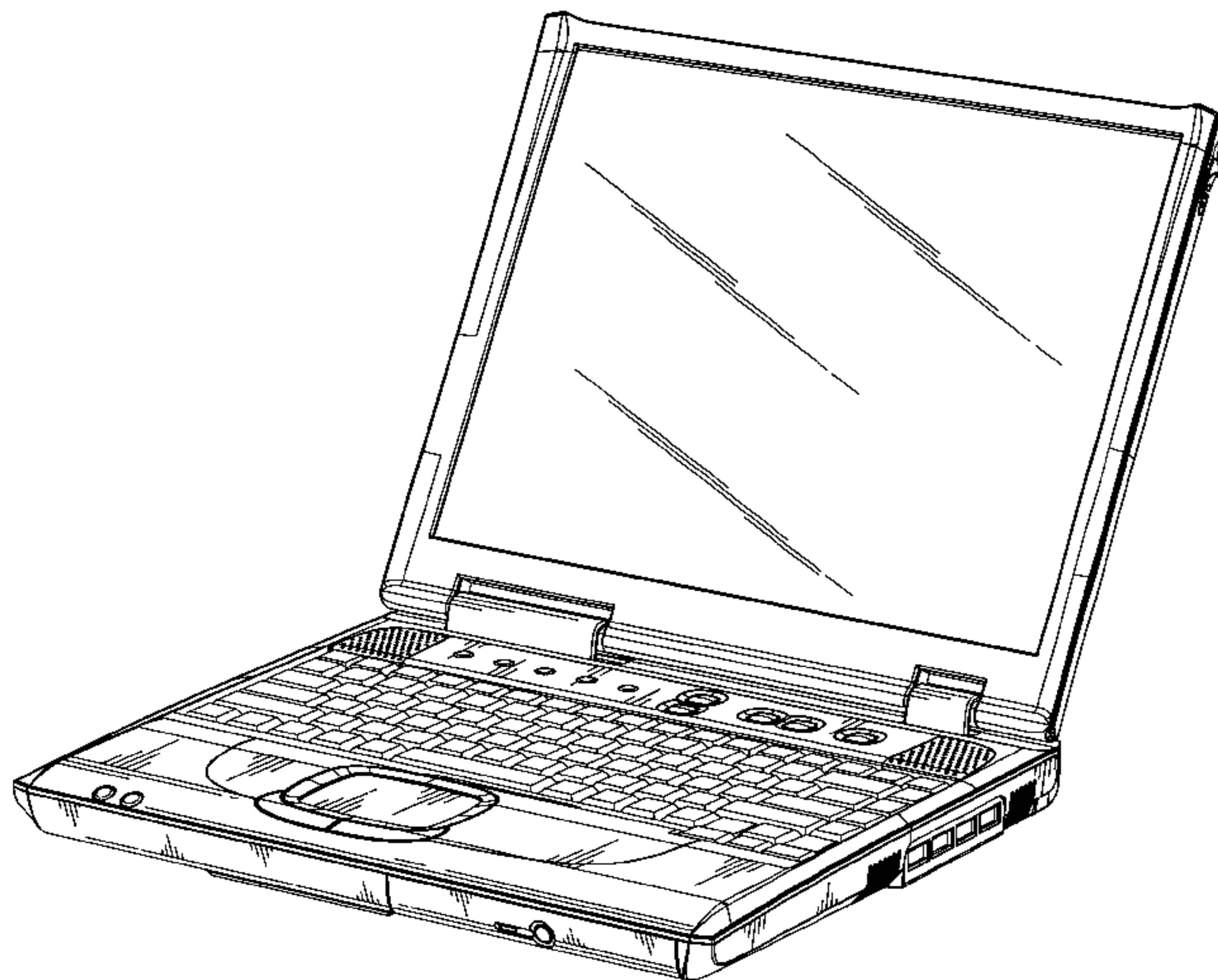
FIG. 8 is the perspective view showing the practical usage thereof.

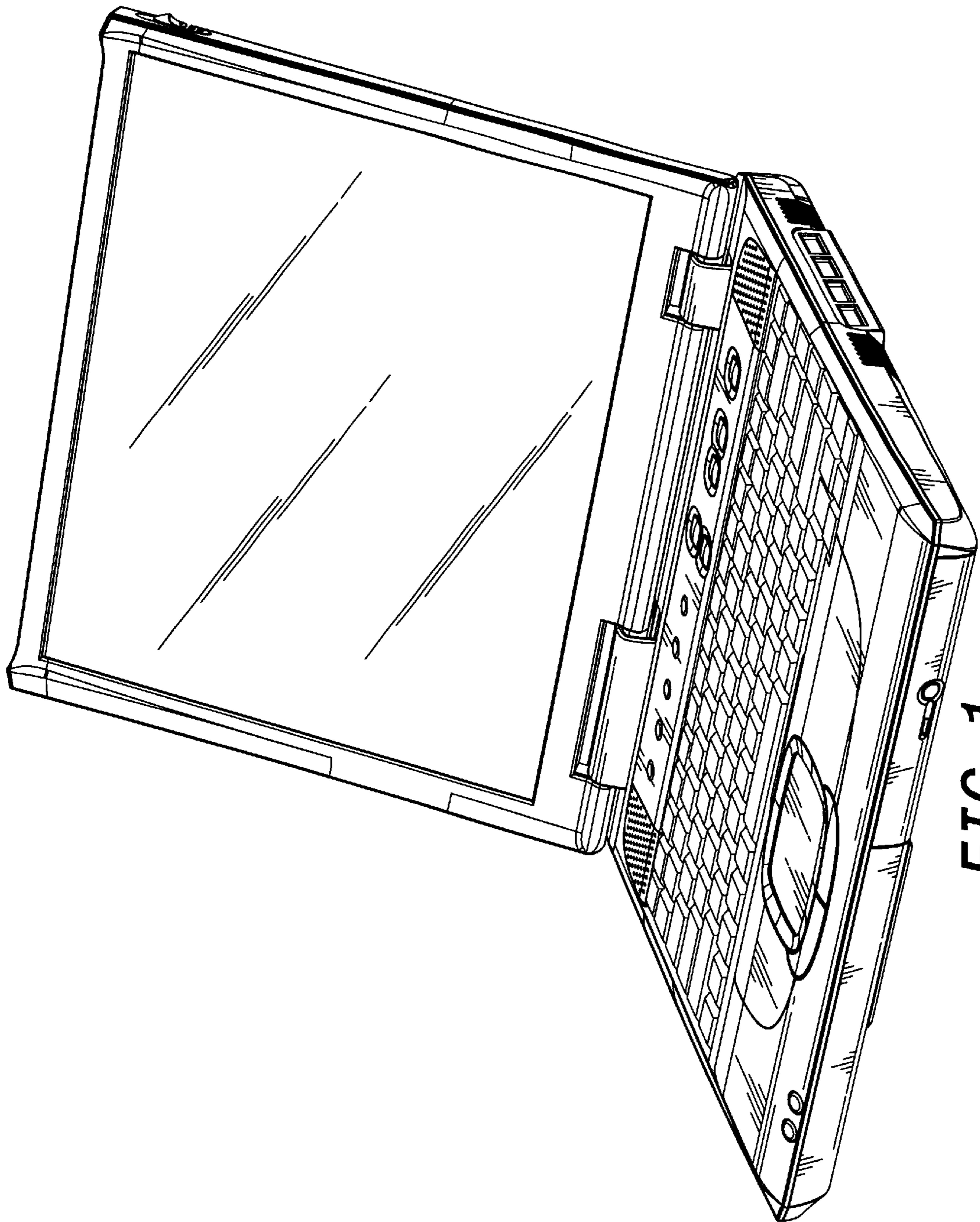
(56) **References Cited**

**U.S. PATENT DOCUMENTS**

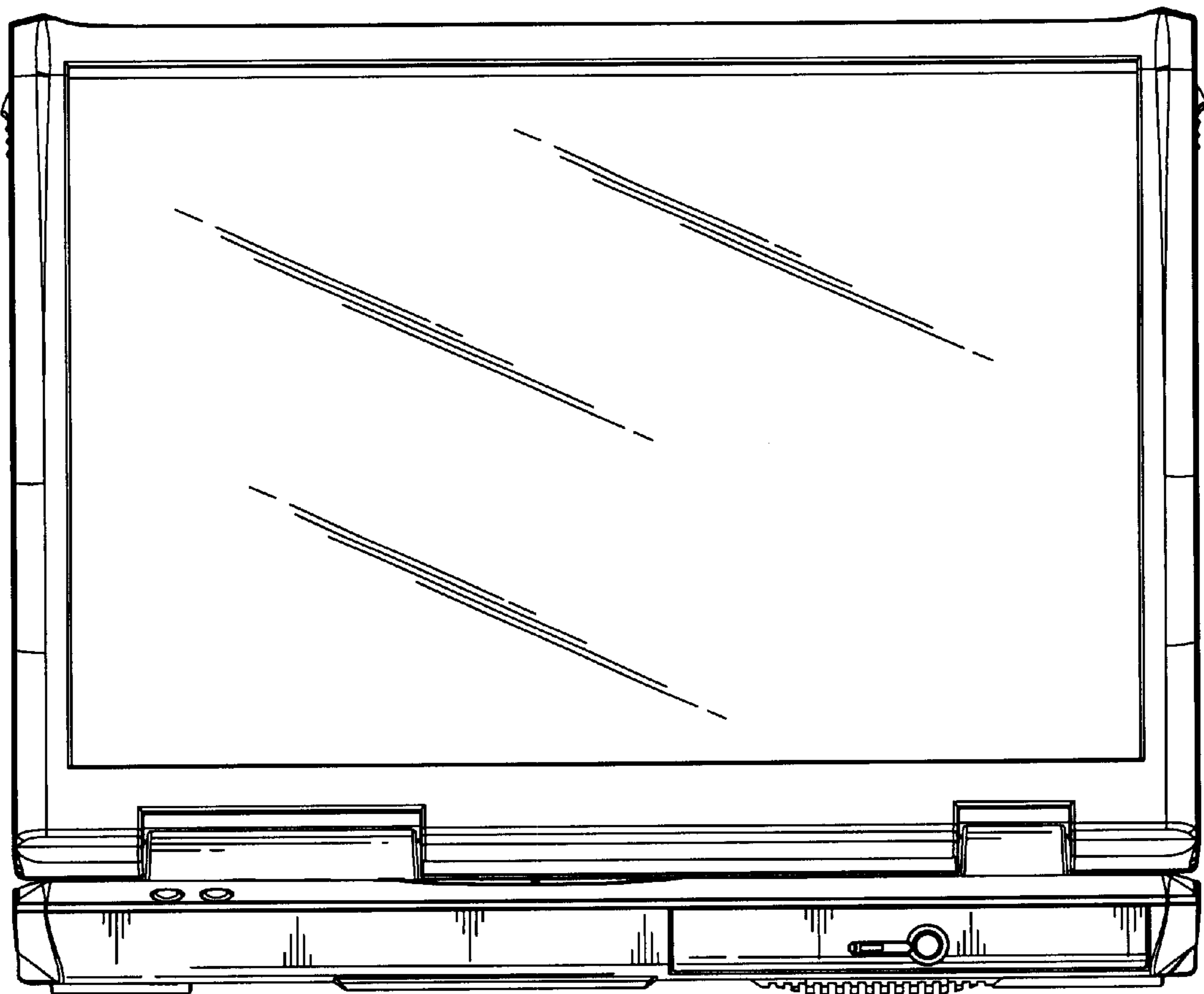
D426,817 S \* 6/2000 Sugano et al. .... D14/322  
D434,031 S \* 11/2000 Koike et al. .... D14/318

**1 Claim, 8 Drawing Sheets**

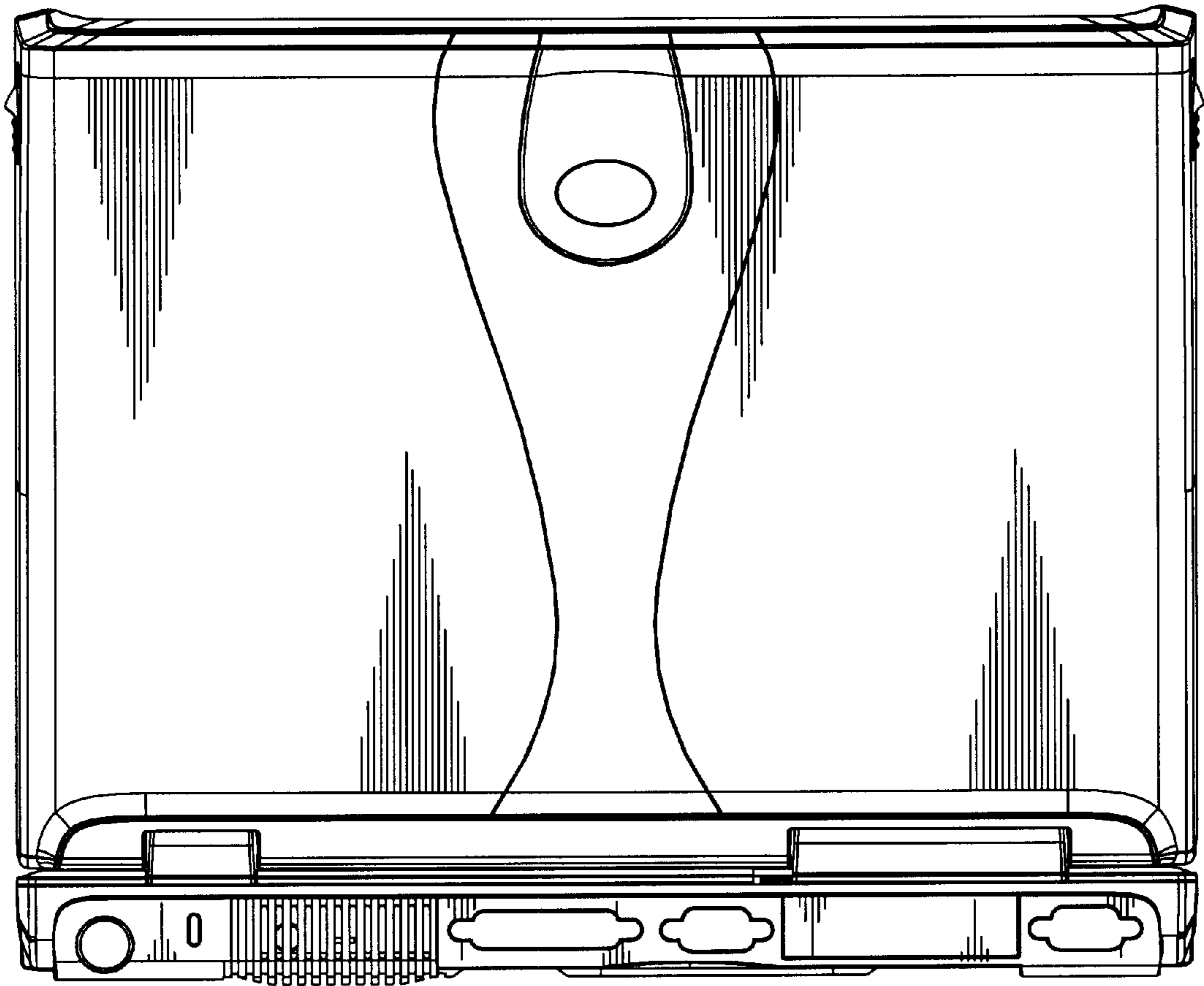




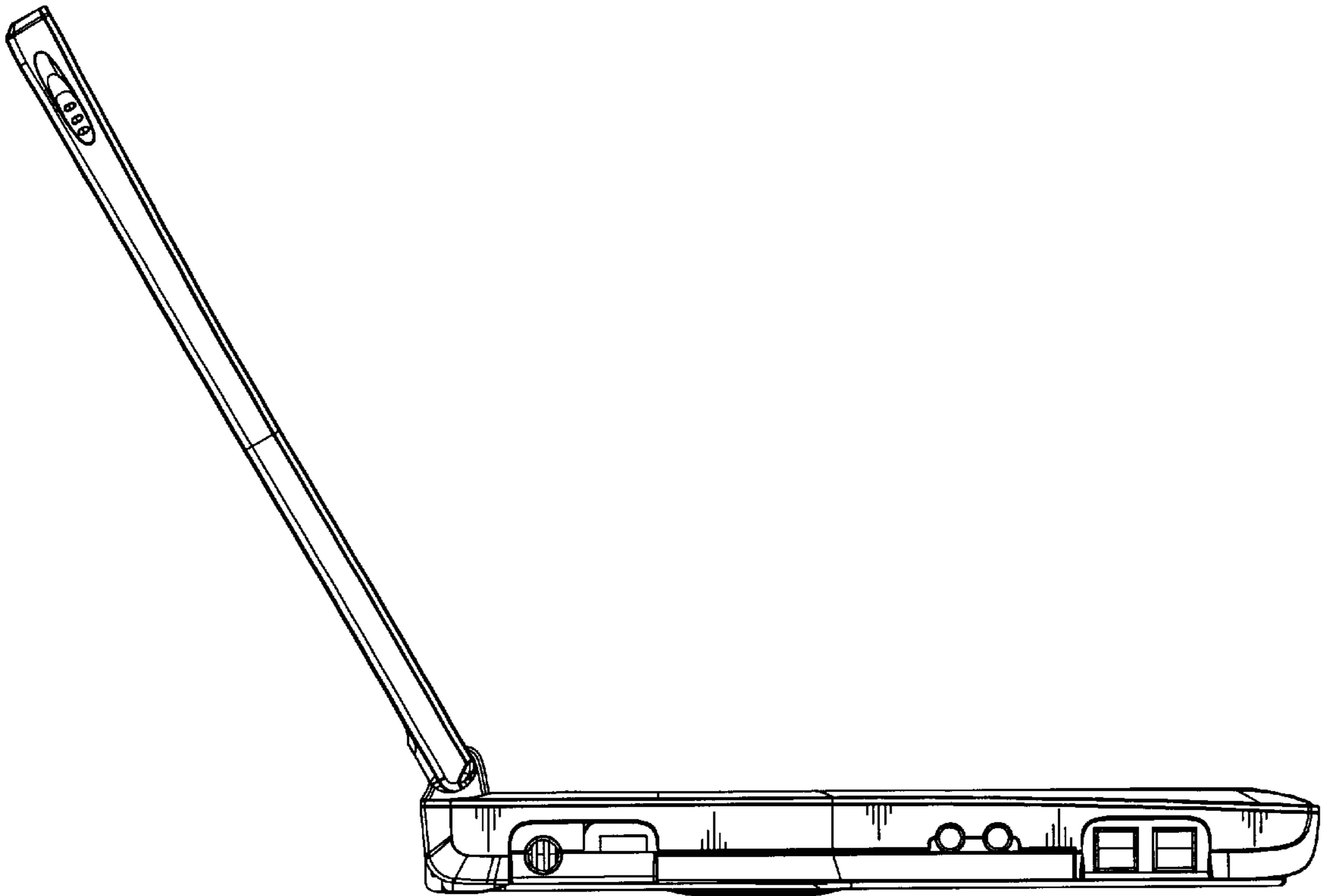
**FIG. 1**



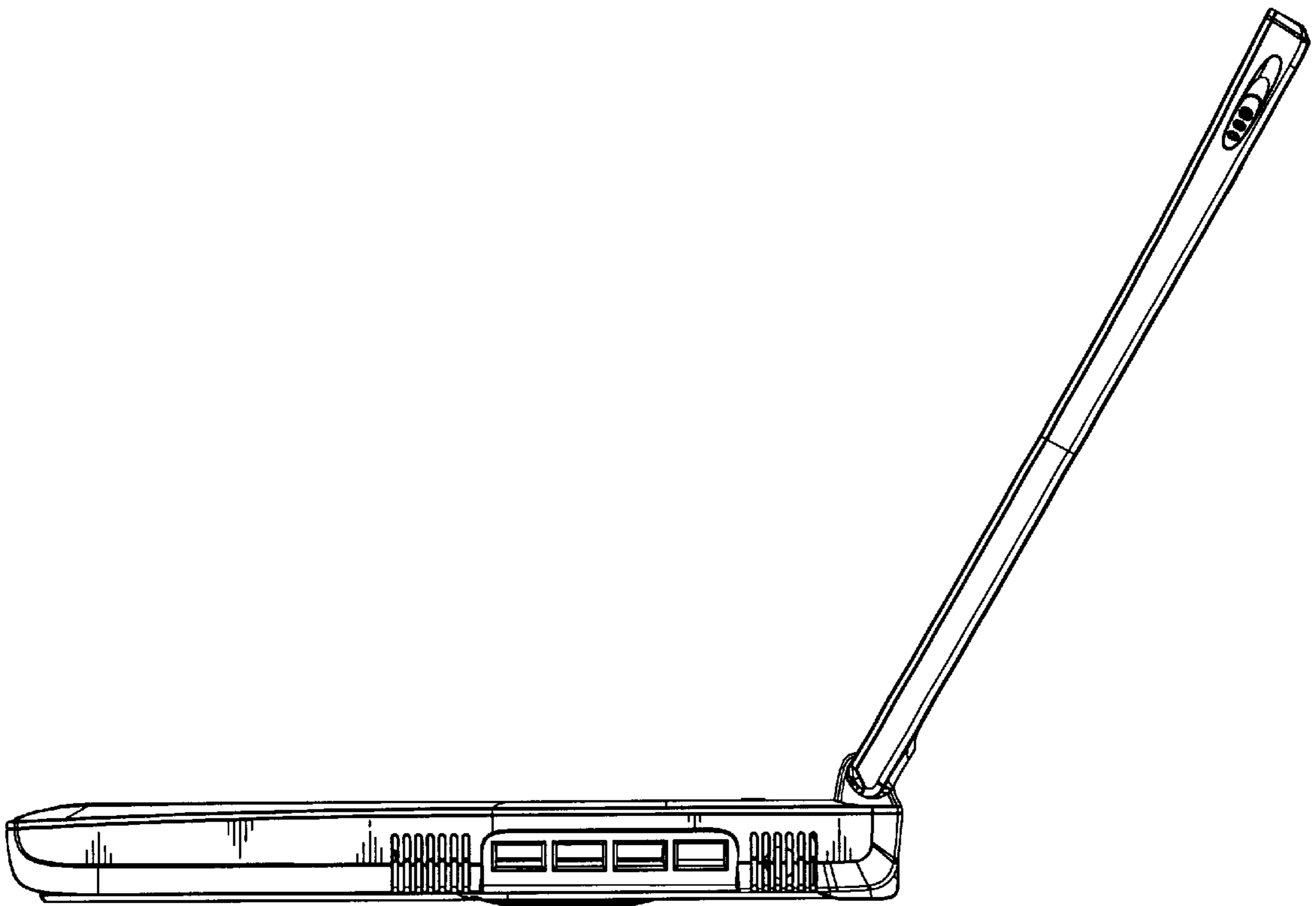
**FIG. 2**



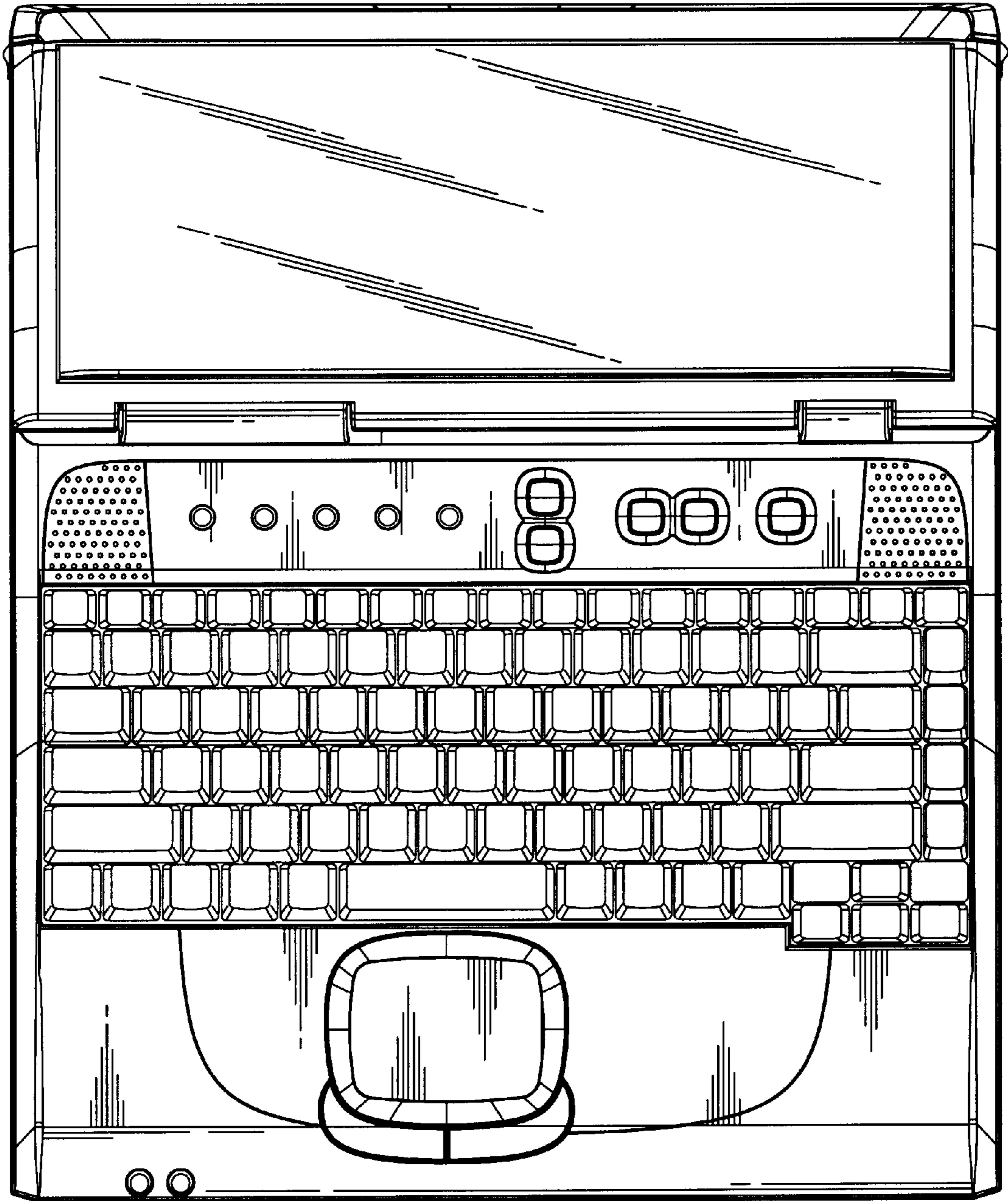
**FIG. 3**



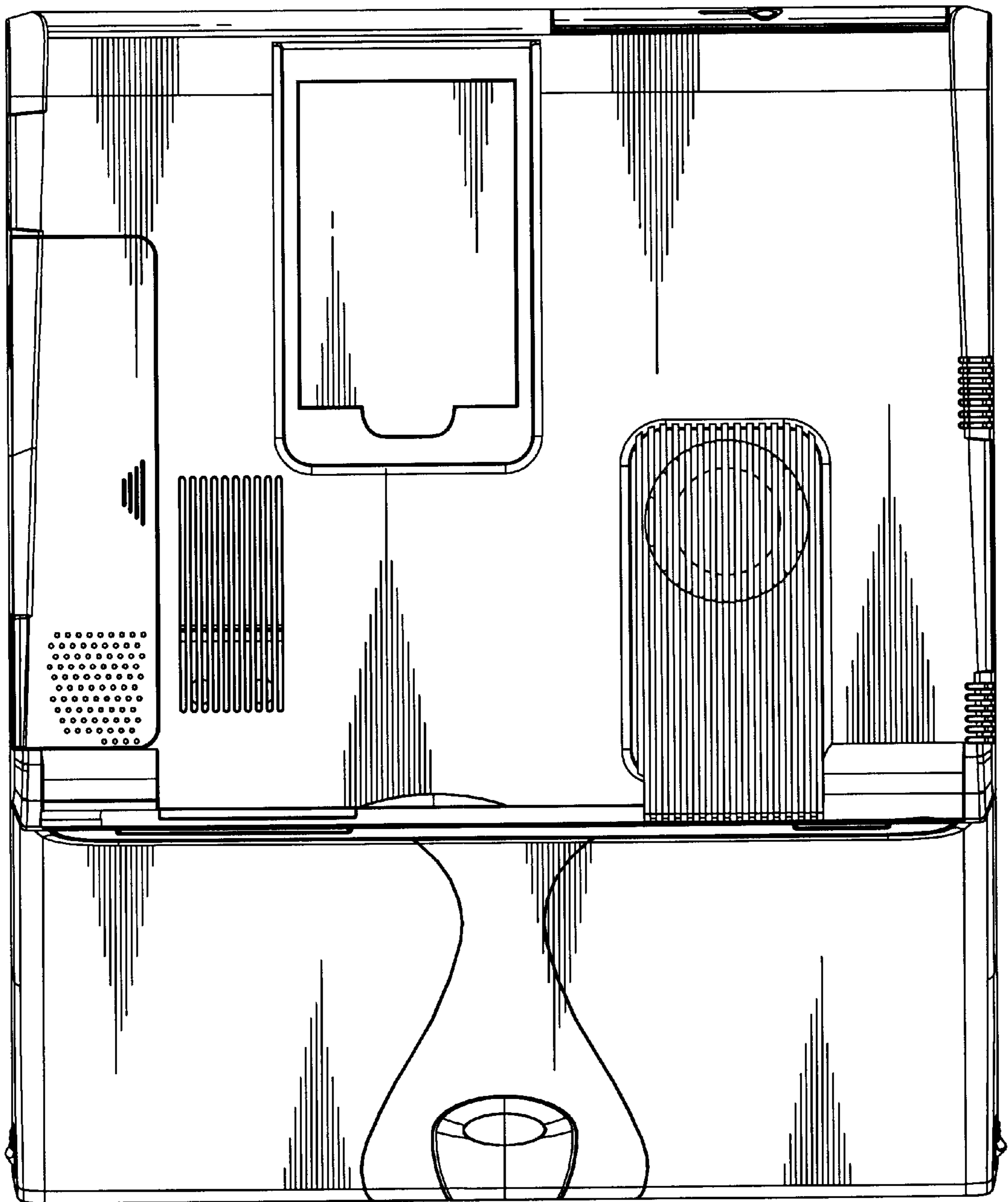
**FIG. 4**



**FIG. 5**

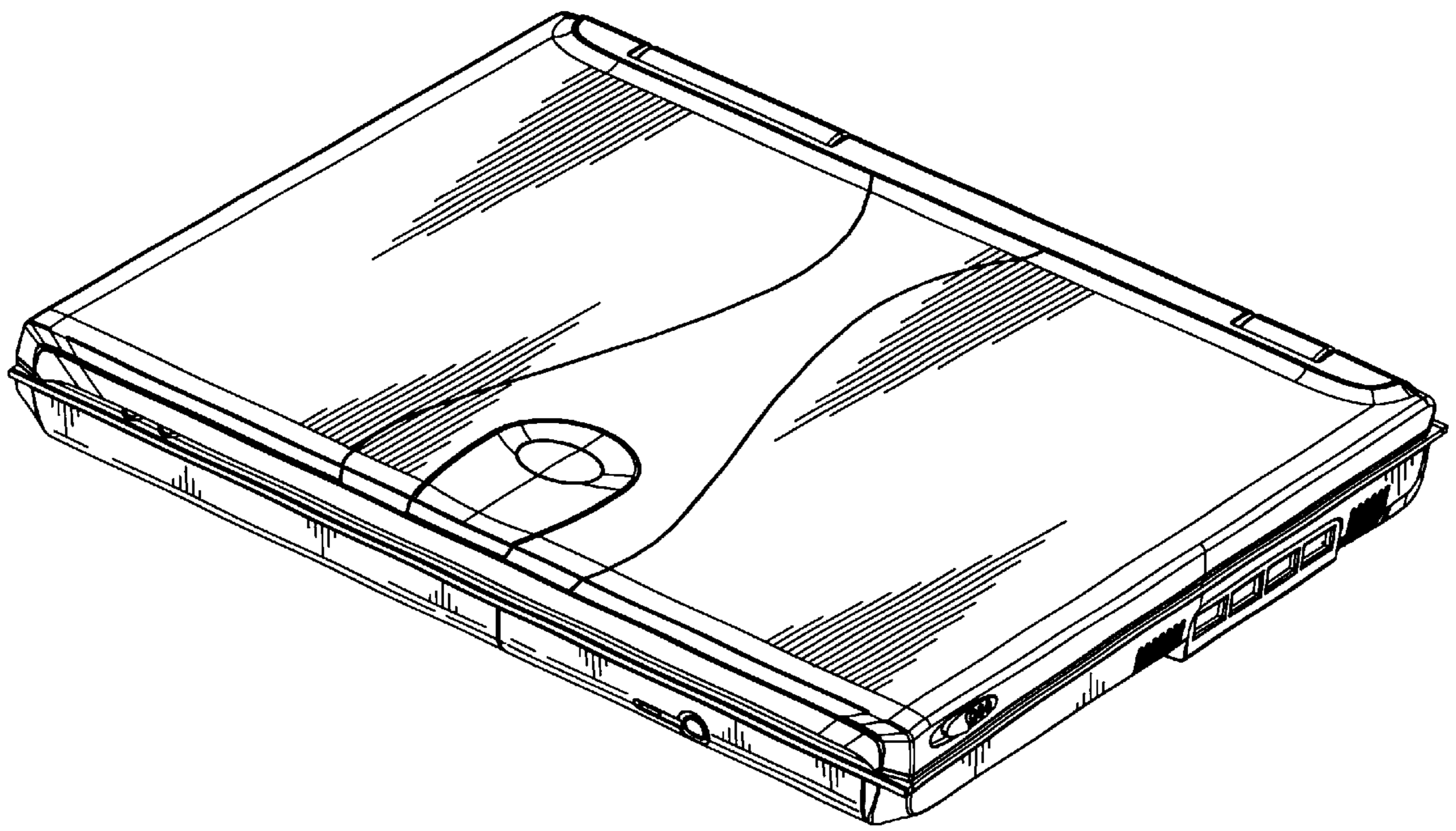


**FIG. 6**



**FIG. 7**





**FIG. 8**