



US00D466496S

(12) **United States Design Patent**
McDonald et al.

(10) **Patent No.:** **US D466,496 S**

(45) **Date of Patent:** **** Dec. 3, 2002**

(54) **MICROWAVE ANTENNA ELECTRONICS HOUSING**

D424,554 S * 5/2000 Overton et al. D14/230
D427,182 S * 6/2000 Andrew et al. D14/230
D441,355 S * 5/2001 Smith D14/231

(75) Inventors: **Patric W. McDonald**, Granite Bay, CA (US); **Daniel J. Bryson**, Citrus Heights, CA (US)

* cited by examiner

Primary Examiner—Louis S. Zarfaz

Assistant Examiner—Gregory Andoll

(73) Assignee: **Multipoint Radio Incorporated**, Roseville, CA (US)

(74) *Attorney, Agent, or Firm*—Heisler & Associates

(**) Term: **14 Years**

(57) **CLAIM**

The ornamental design for a microwave antenna electronics housing, as shown and described.

(21) Appl. No.: **29/138,726**

(22) Filed: **Mar. 16, 2001**

DESCRIPTION

(51) **LOC (7) Cl.** **14-03**

(52) **U.S. Cl.** **D14/230**

(58) **Field of Search** D14/230-238;
343/720, 900, 713, 878, 905, 906, 715,
749, 752, 895, 714, 806, 802, 823, 805,
872, 705, 708, 741, 840, 882, 702, 873,
881

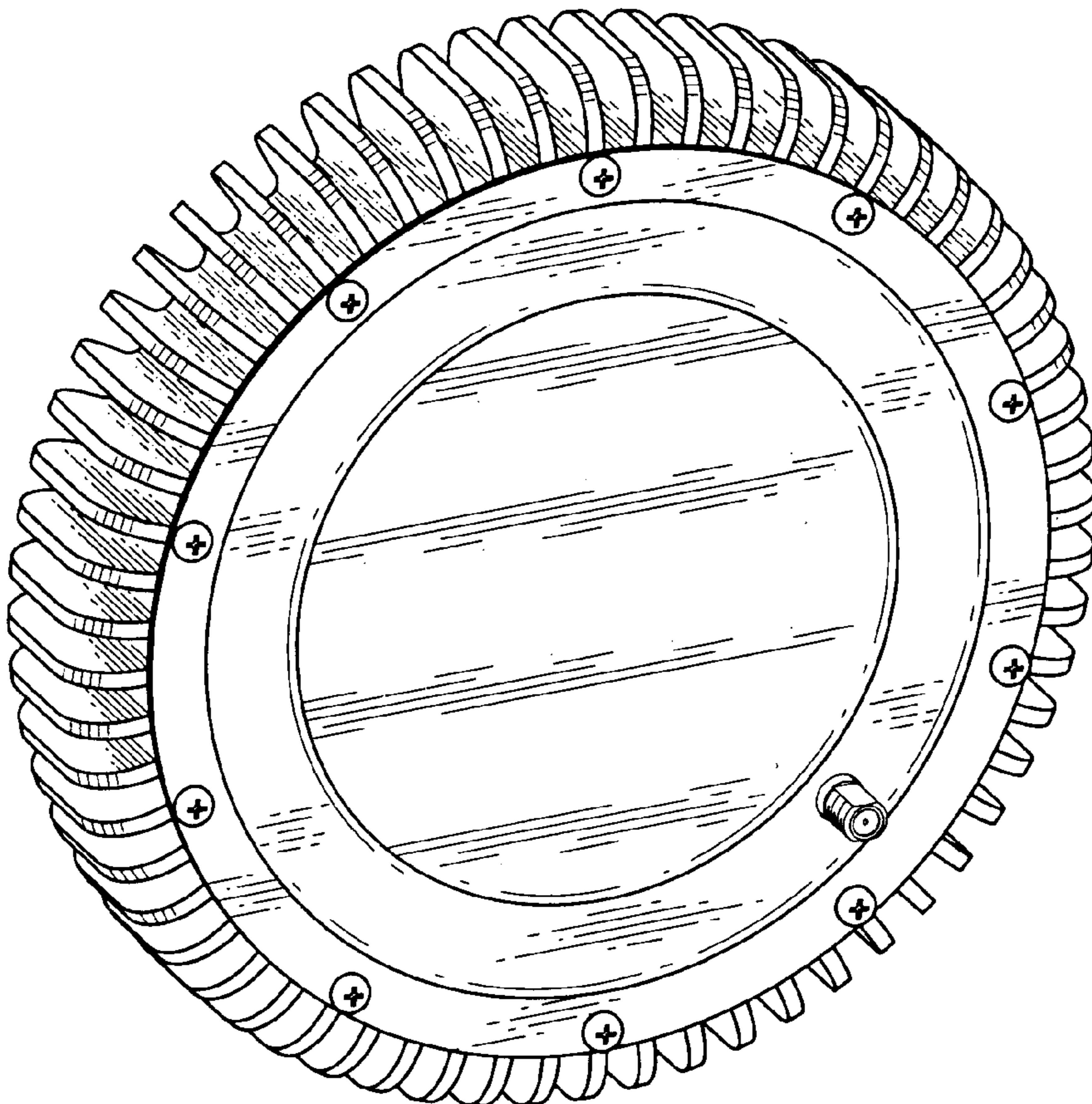
FIG. 1 is a rear perspective view of a microwave antenna electronics housing showing our new invention;
FIG. 2 is a front perspective view of the invention;
FIG. 3 is a top plan view of the invention, the bottom plan view being a mirror image;
FIG. 4 is a front elevation view of the invention;
FIG. 5 is a right side view of the invention, the left side view being a mirror image; and,
FIG. 6 is a rear elevation view of the invention.
The broken lines in FIG. 5 are for purposes of illustration only and form no part of the claimed design.

(56) **References Cited**

U.S. PATENT DOCUMENTS

D308,203 S * 5/1990 Kosugi et al. D14/230
D327,690 S * 7/1992 Ogawa et al. D14/230

1 Claim, 2 Drawing Sheets



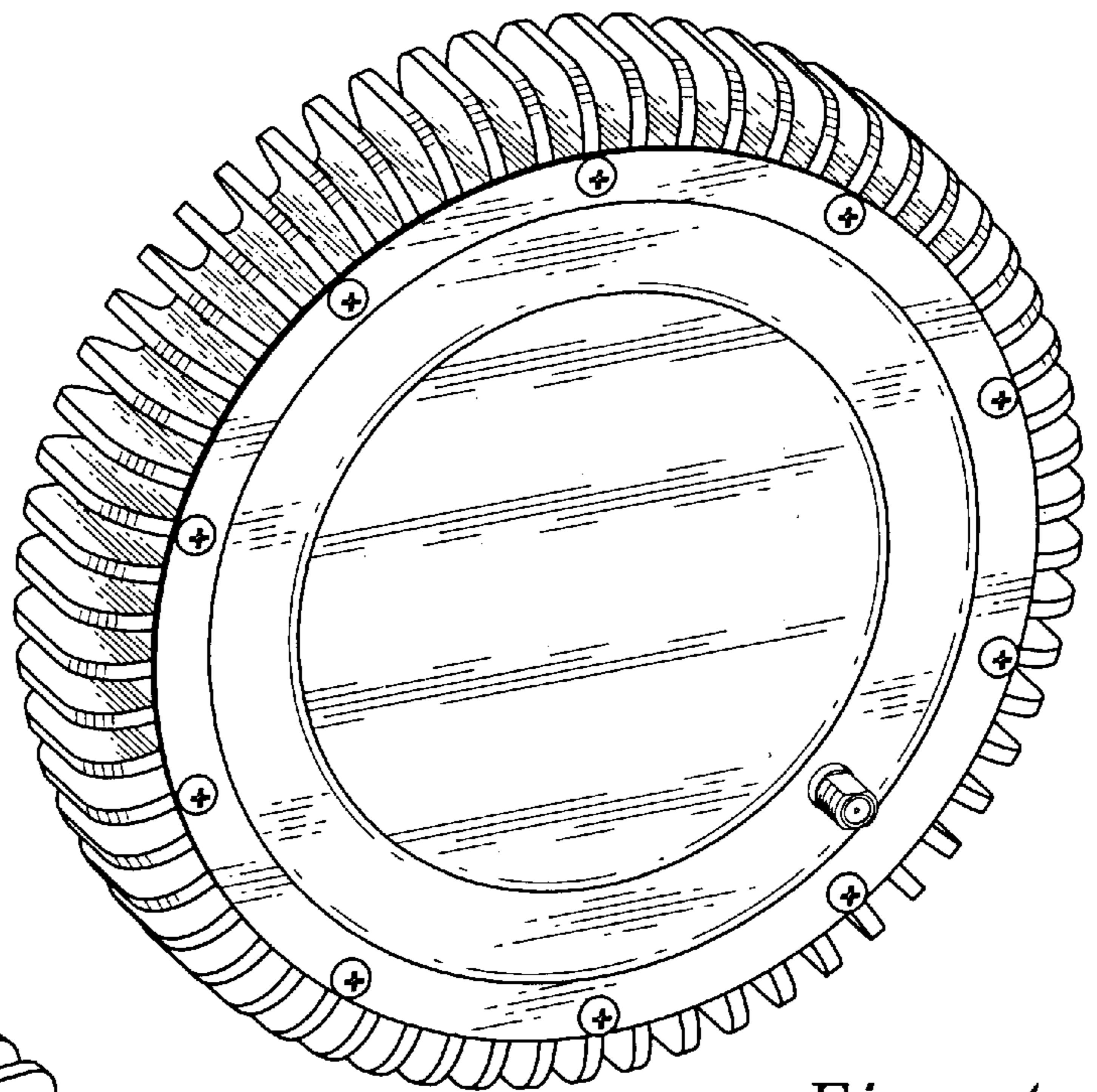


Fig. 1

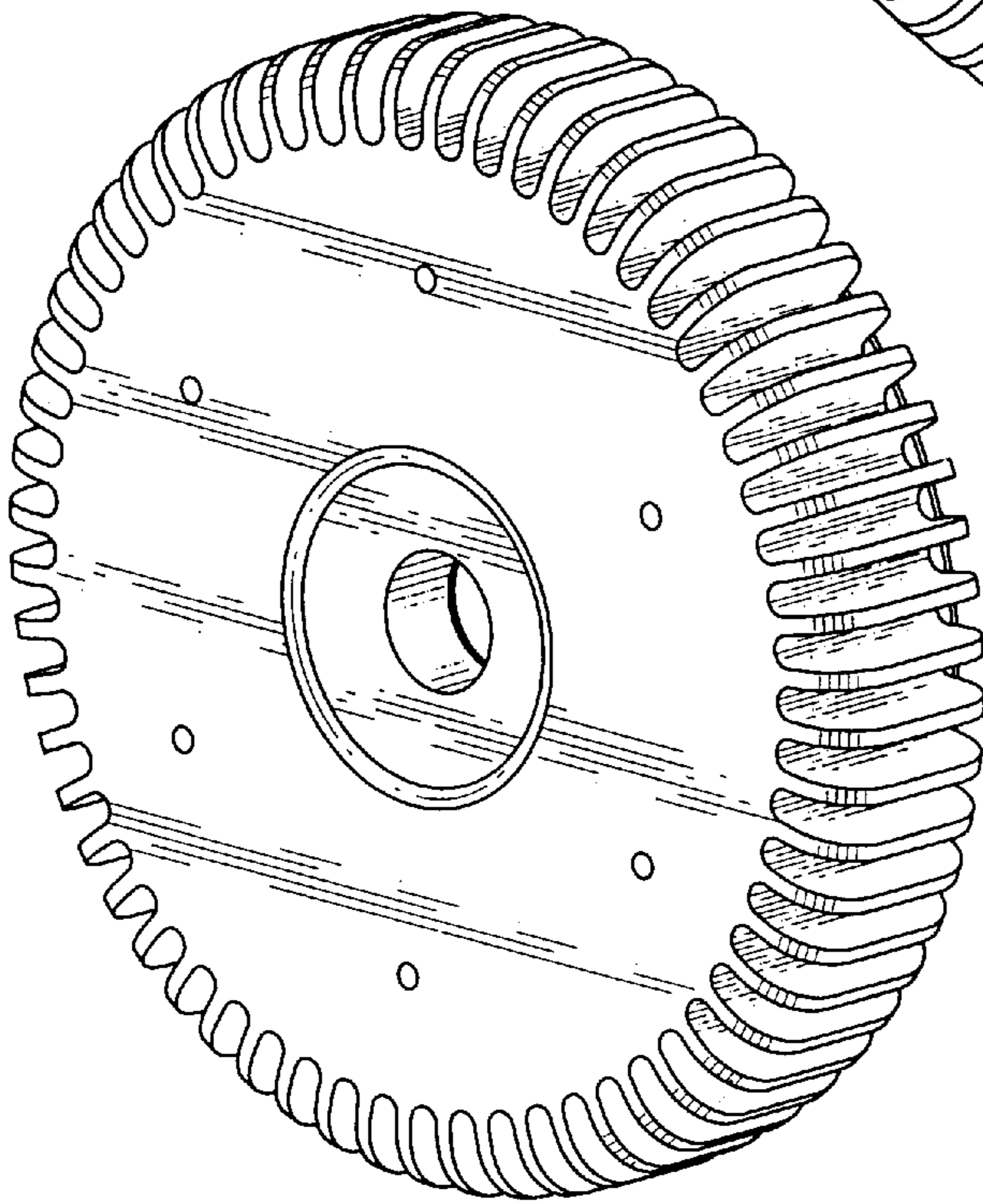


Fig. 2

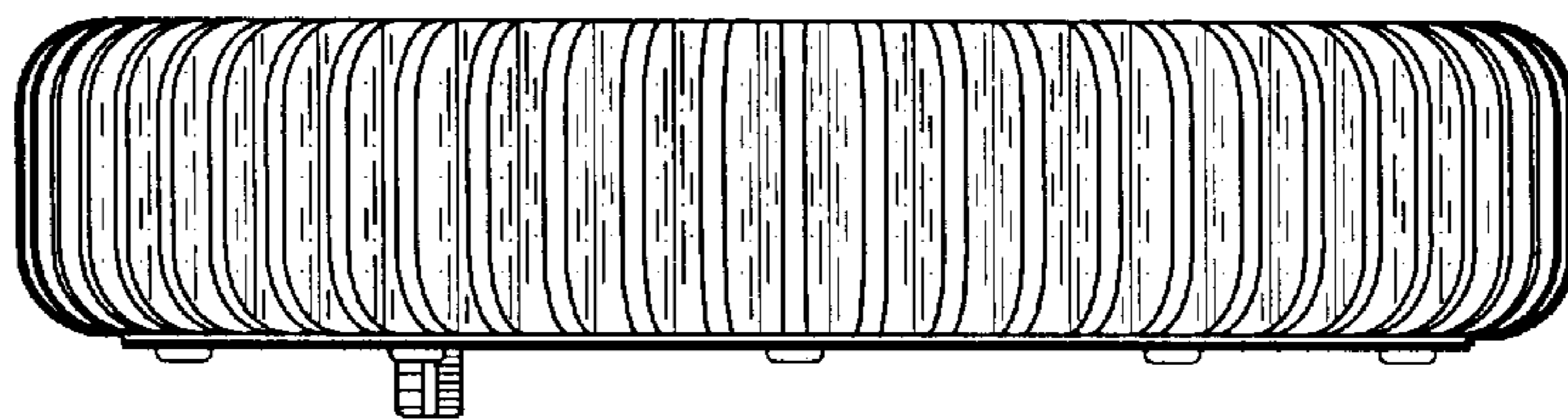


Fig. 3

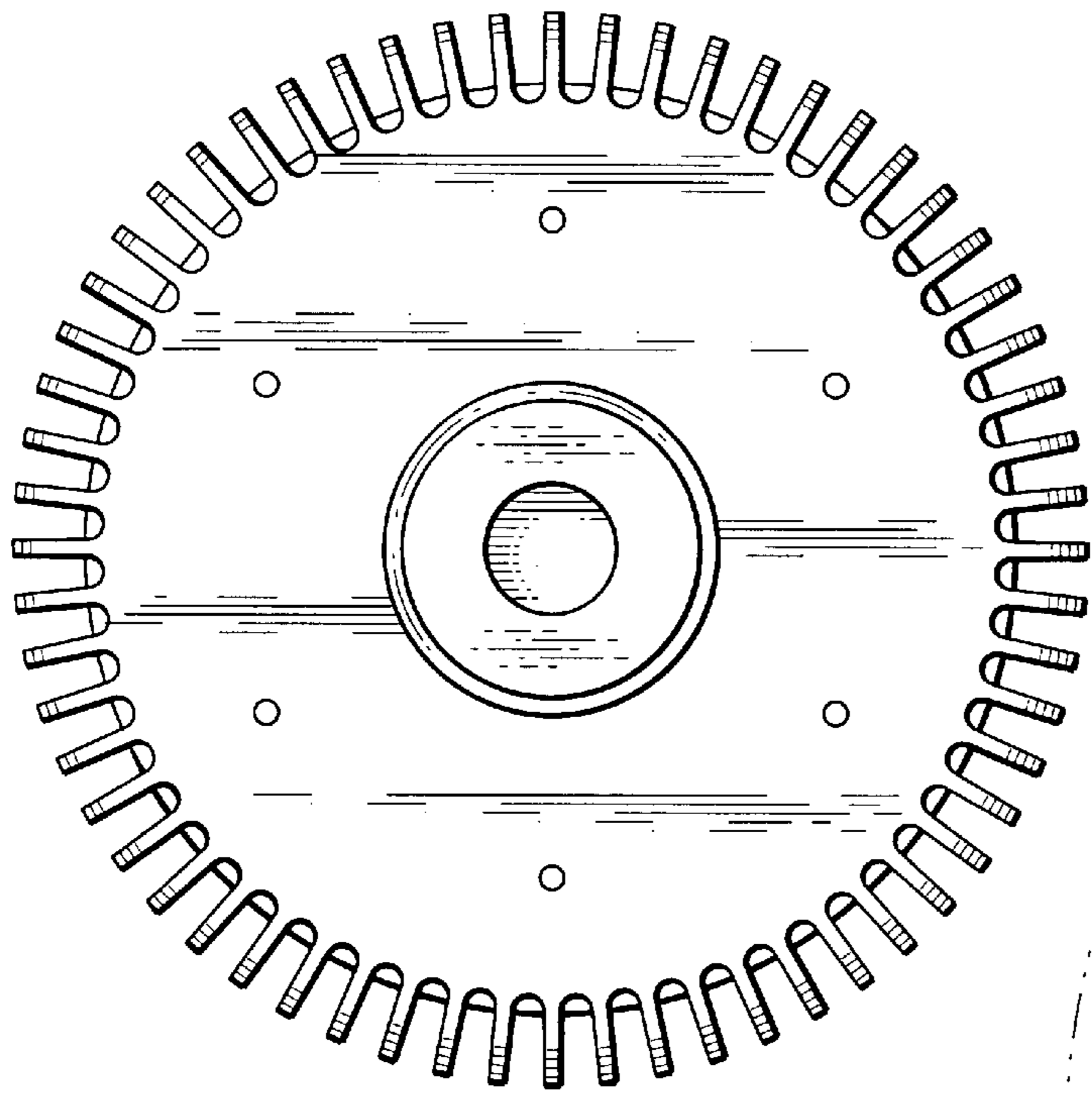


Fig. 4

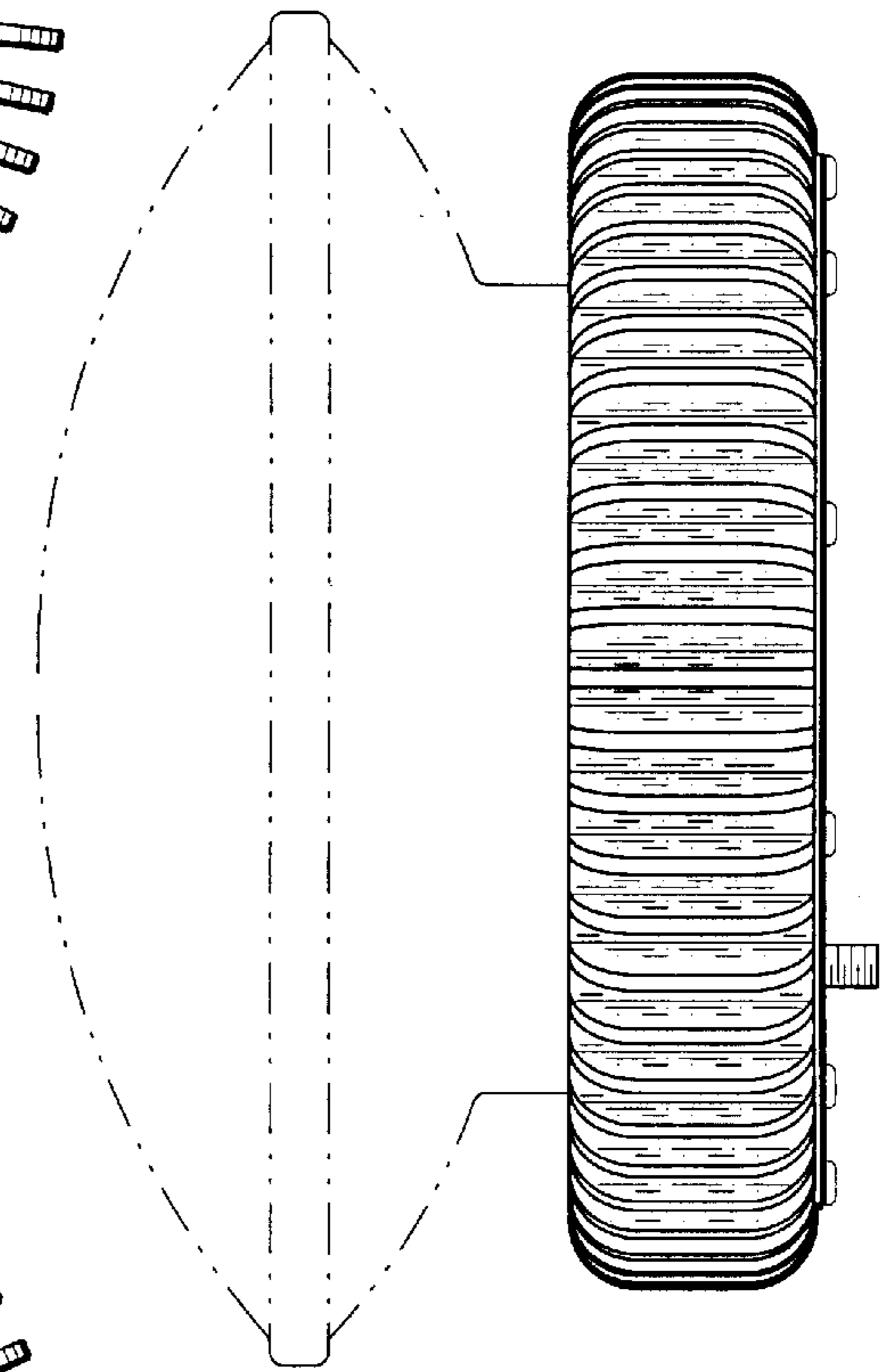


Fig. 5

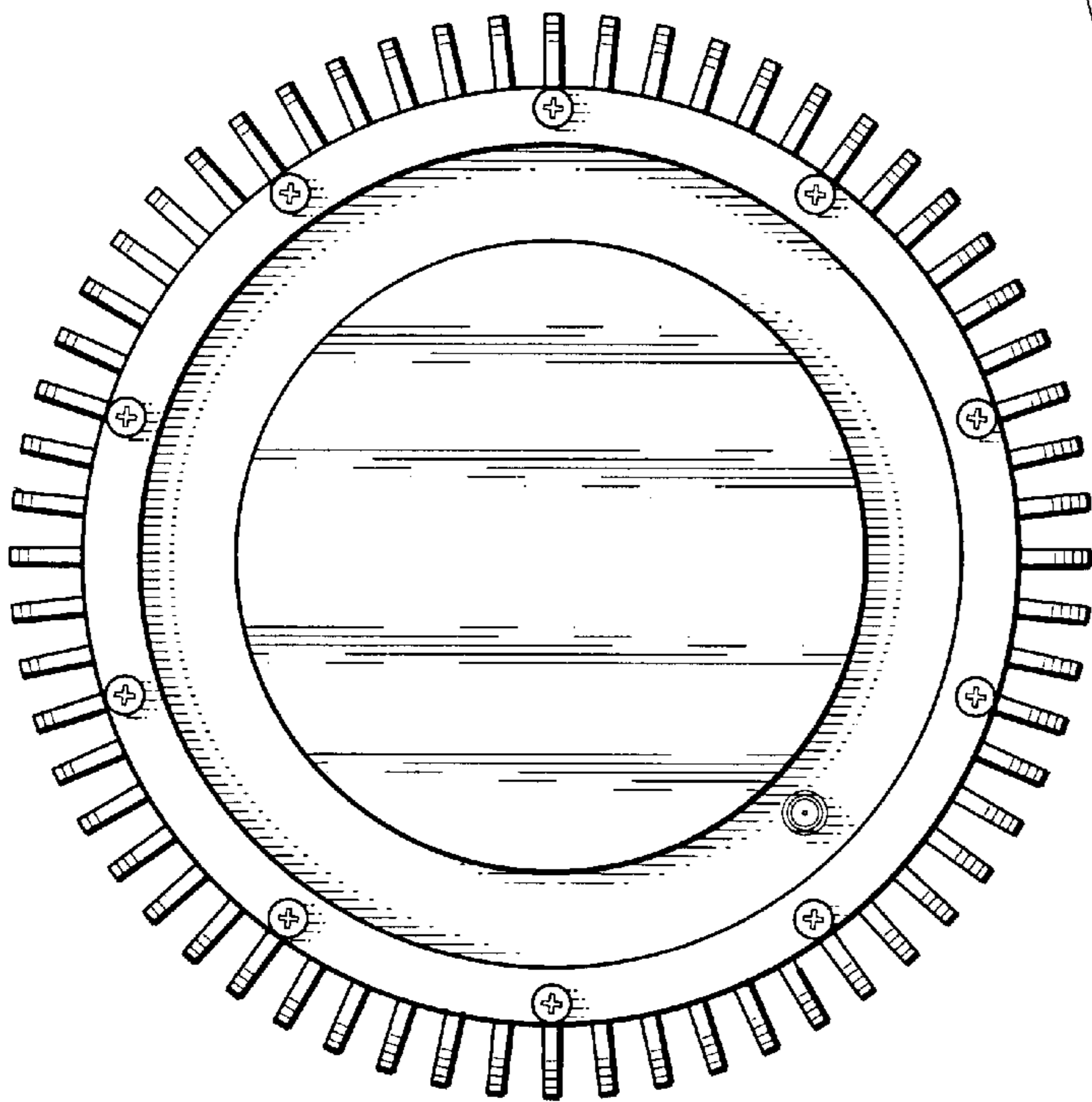


Fig. 6