



US00D466492S

(12) **United States Design Patent**  
**Matsuoka**

(10) **Patent No.:** **US D466,492 S**

(45) **Date of Patent:** **\*\* Dec. 3, 2002**

(54) **COMBINED TAPE RECORDER AND RADIO RECEIVER**

(75) Inventor: **Yoshimichi Matsuoka**, Tokyo (JP)

(73) Assignee: **Sony Corporation**, Tokyo (JP)

(\*\*) Term: **14 Years**

(21) Appl. No.: **29/144,683**

(22) Filed: **Jul. 10, 2001**

(51) **LOC (7) Cl.** ..... **14-01**

(52) **U.S. Cl.** ..... **D14/162; D14/218**

(58) **Field of Search** ..... D14/135-136,  
D14/156-157, 160-168, 188, 193-198,  
217, 299; 369/75.1, 75.2, 77.1, 77.2; 455/344,  
347, 350-351

(56) **References Cited**

**U.S. PATENT DOCUMENTS**

D326,655 S	*	6/1992	Iribe	.....	D14/192
D344,522 S	*	2/1994	Taniguchi	.....	D14/218
D411,998 S	*	7/1999	Hakoda et al.	.....	D14/218
D432,523 S	*	10/2000	Grinkus et al.	.....	D14/217
D440,556 S		4/2001	Kobayashi et al.		

**OTHER PUBLICATIONS**

Catalog, "New Products 2001 Spring", p. 13, Sony Corporation, Spring 2001.

\* cited by examiner

*Primary Examiner*—Nanda Bondade

(74) *Attorney, Agent, or Firm*—Rader Fishman & Grauer PLLC

(57) **CLAIM**

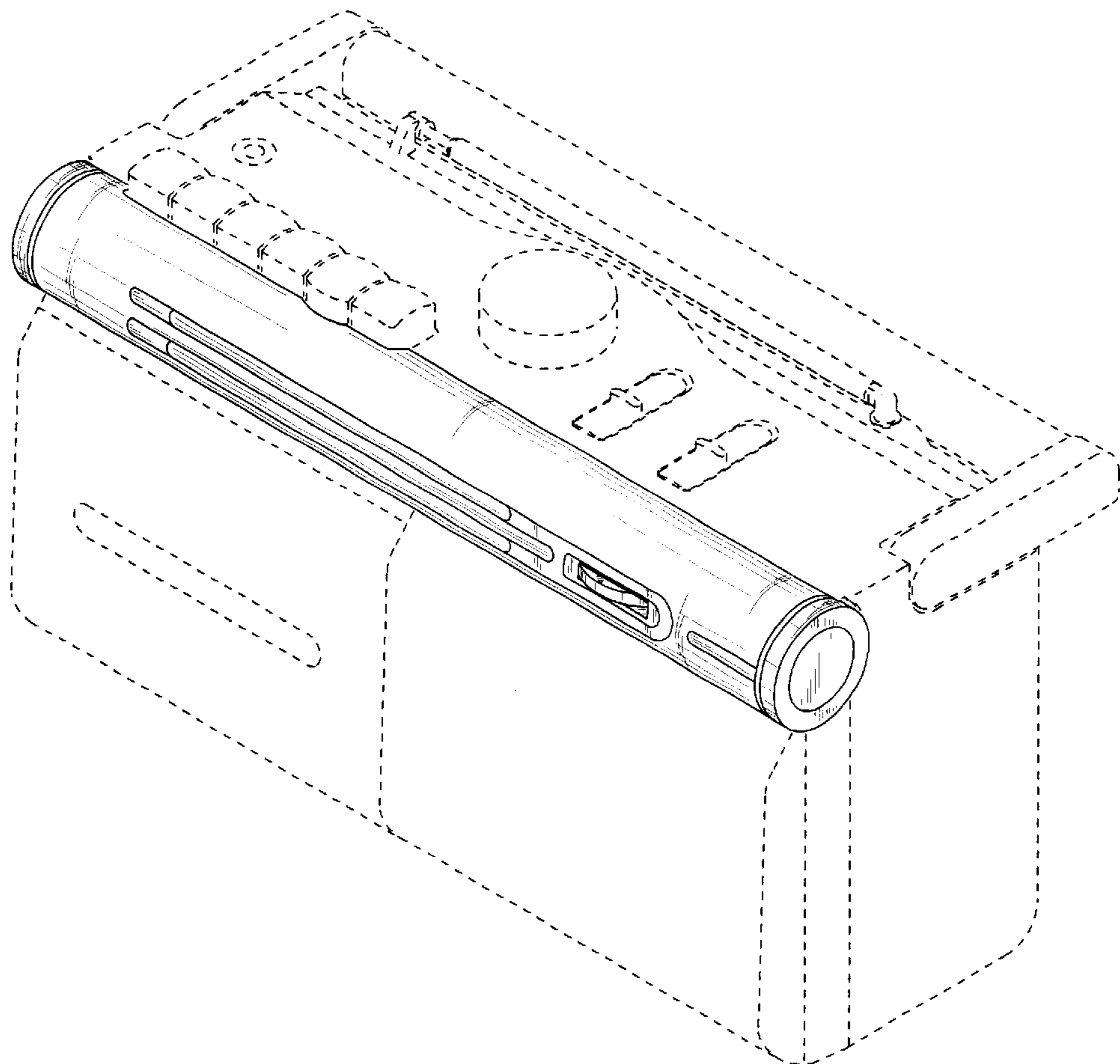
The ornamental design for a combined tape recorder and radio receiver, as shown and described.

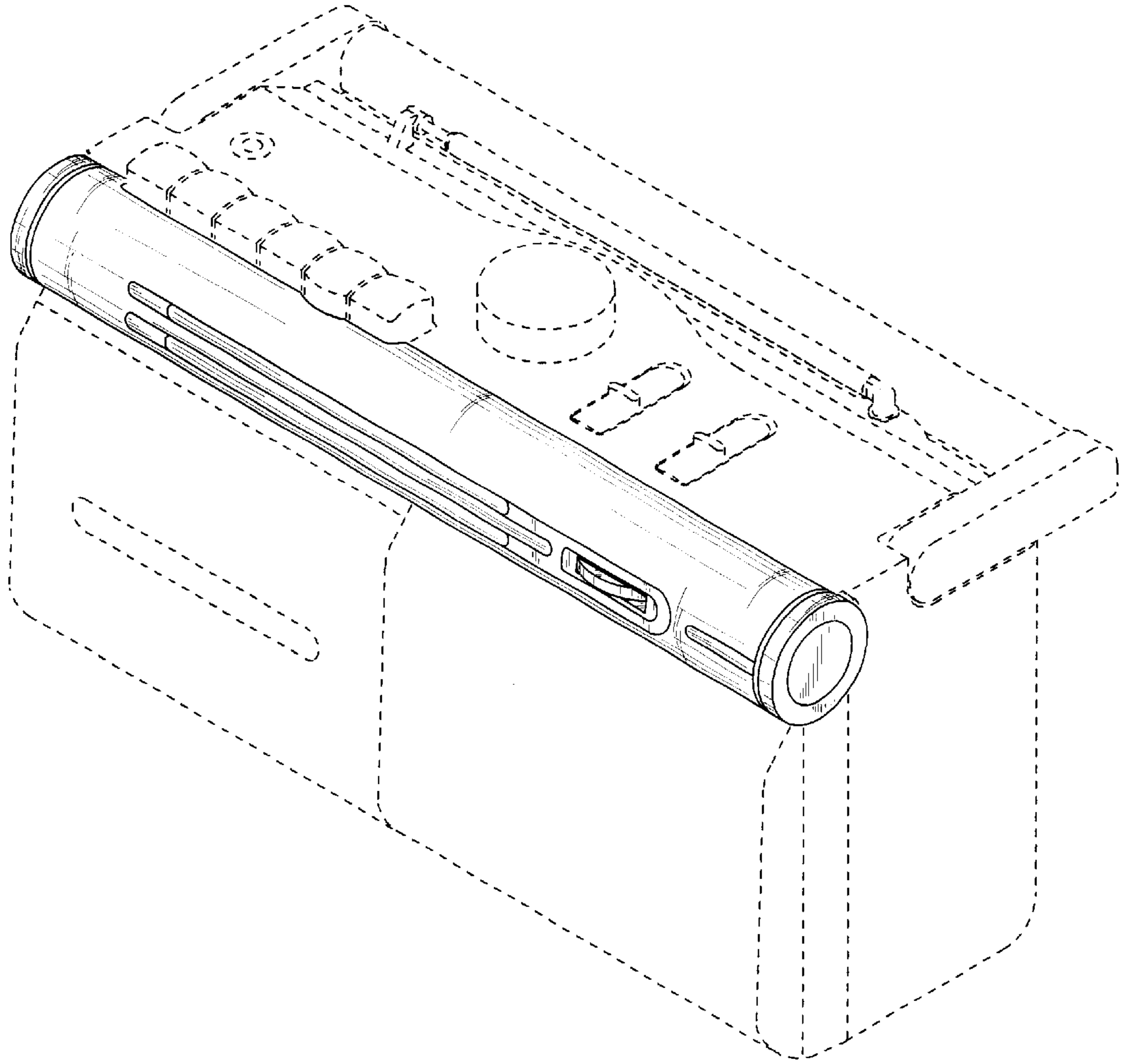
**DESCRIPTION**

FIG. 1 is a perspective view of a combined tape recorder and radio receiver showing my new design; FIG. 2 is a front elevational view thereof; FIG. 3 is a rear elevational view thereof; FIG. 4 is a left side elevational view thereof; FIG. 5 is a right side elevational view thereof; FIG. 6 is a top plan view thereof; and, FIG. 7 is a bottom plan view thereof.

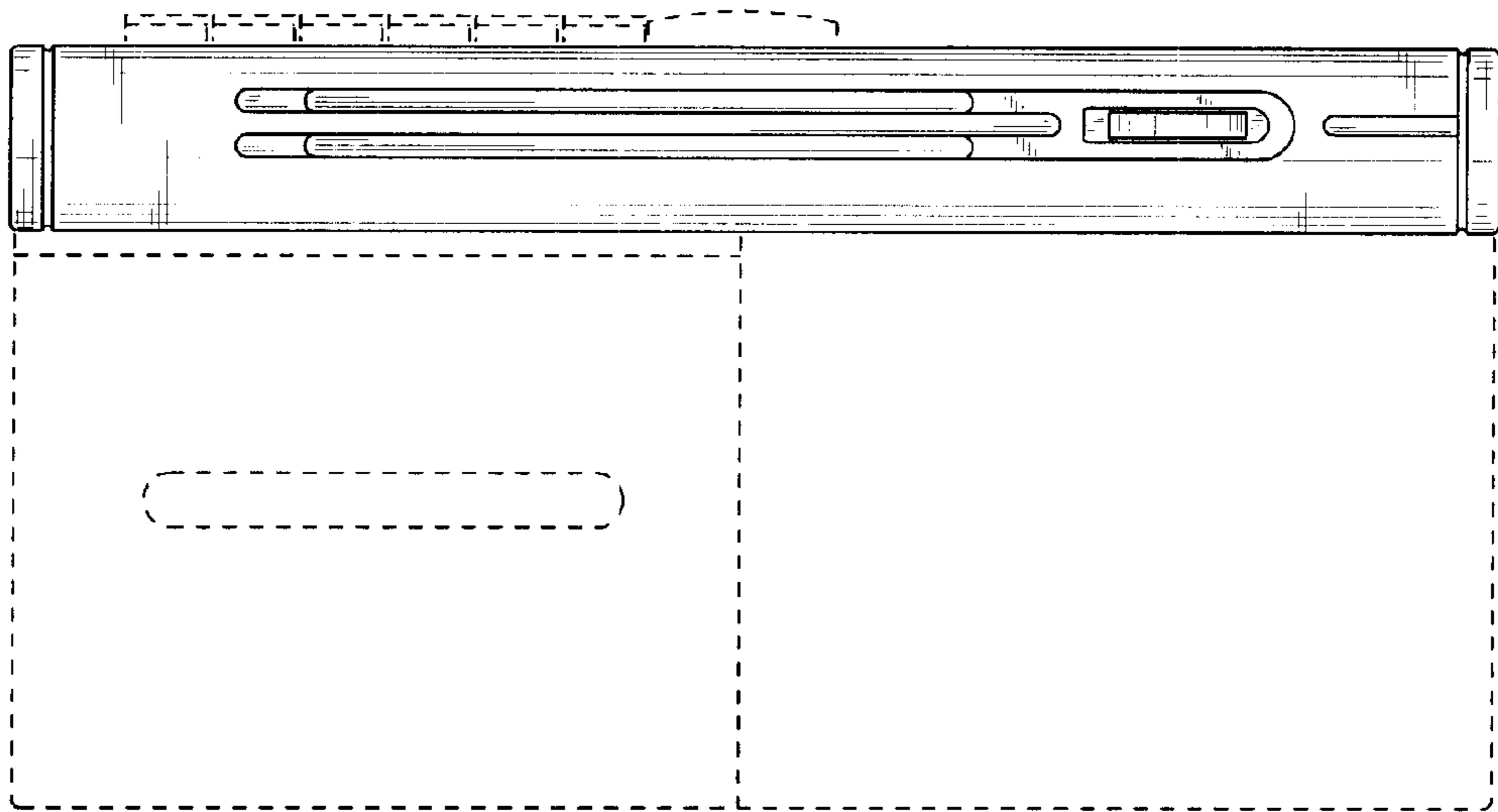
The broken line showing on FIGS. 1-7 is for illustrative purposes only and forms no part of the claimed design.

**1 Claim, 4 Drawing Sheets**

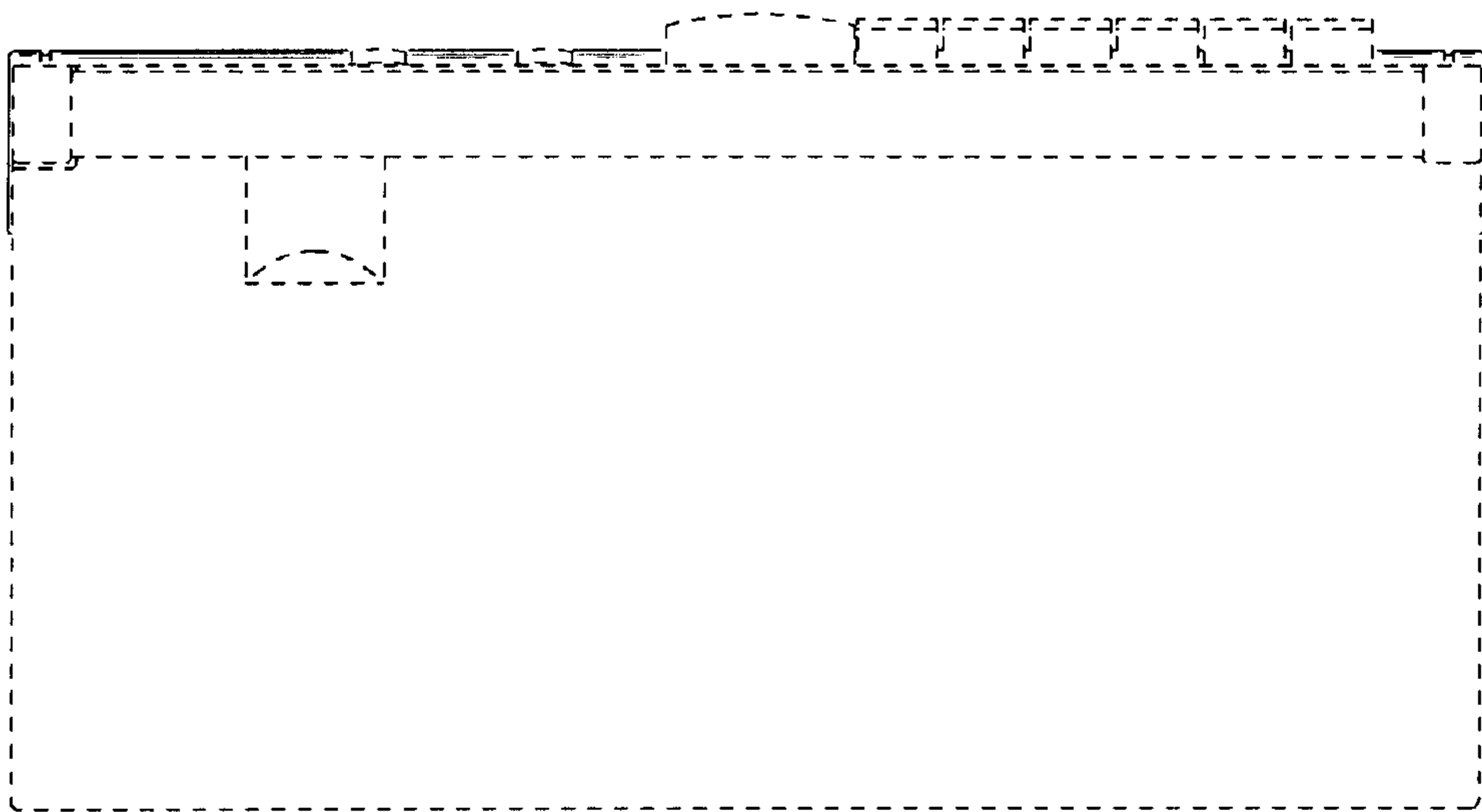




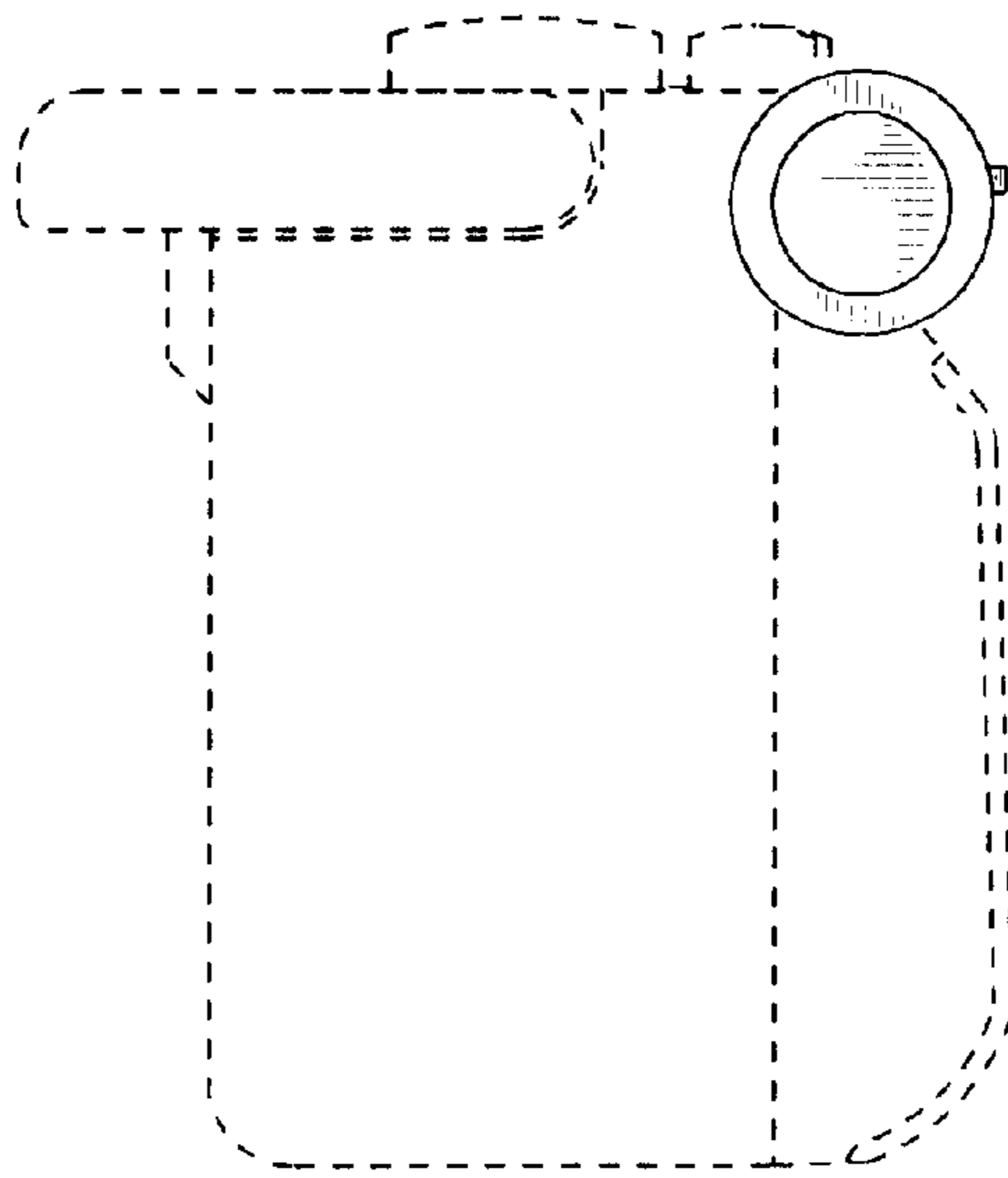
**Fig. 1**



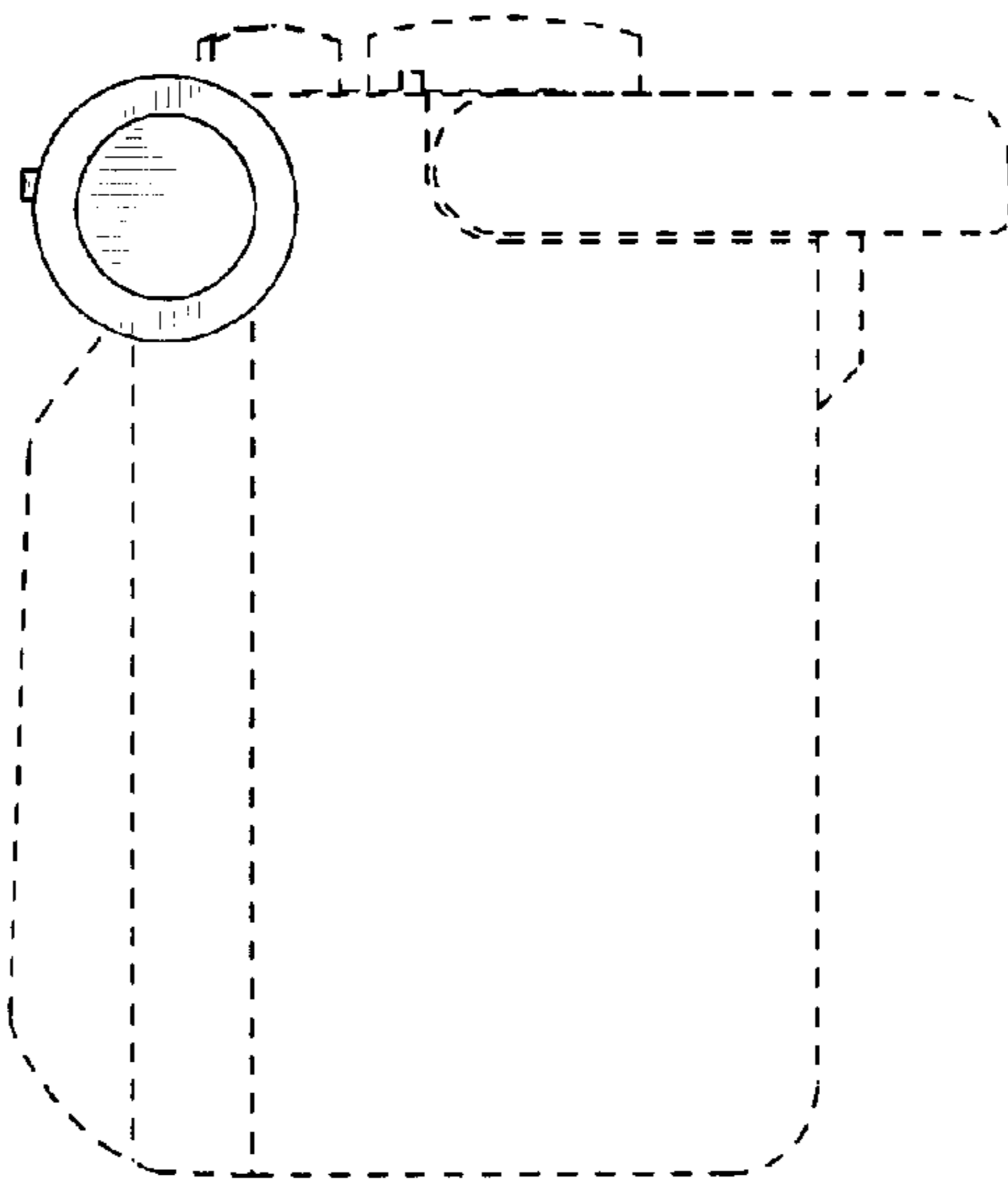
**Fig. 2**



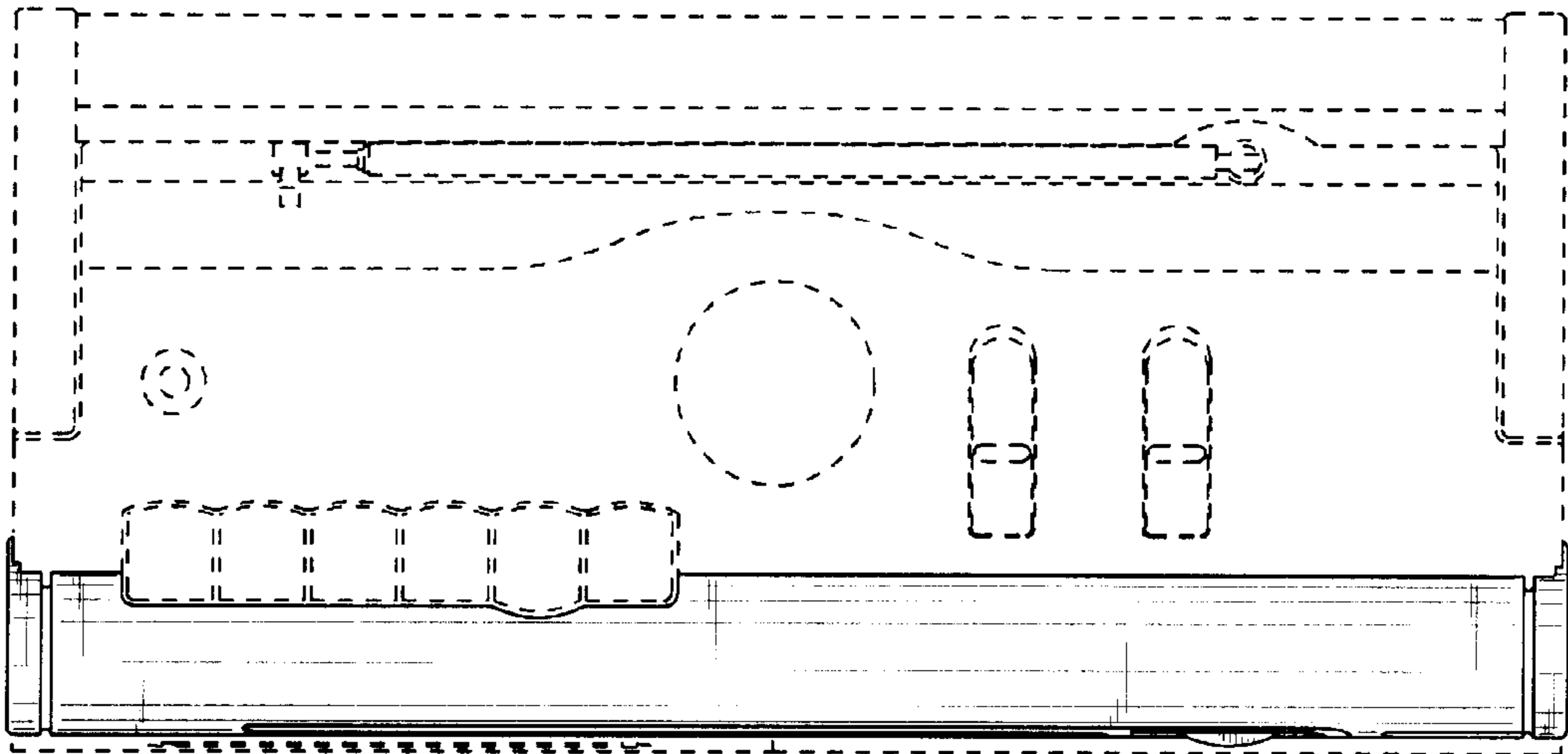
**Fig. 3**



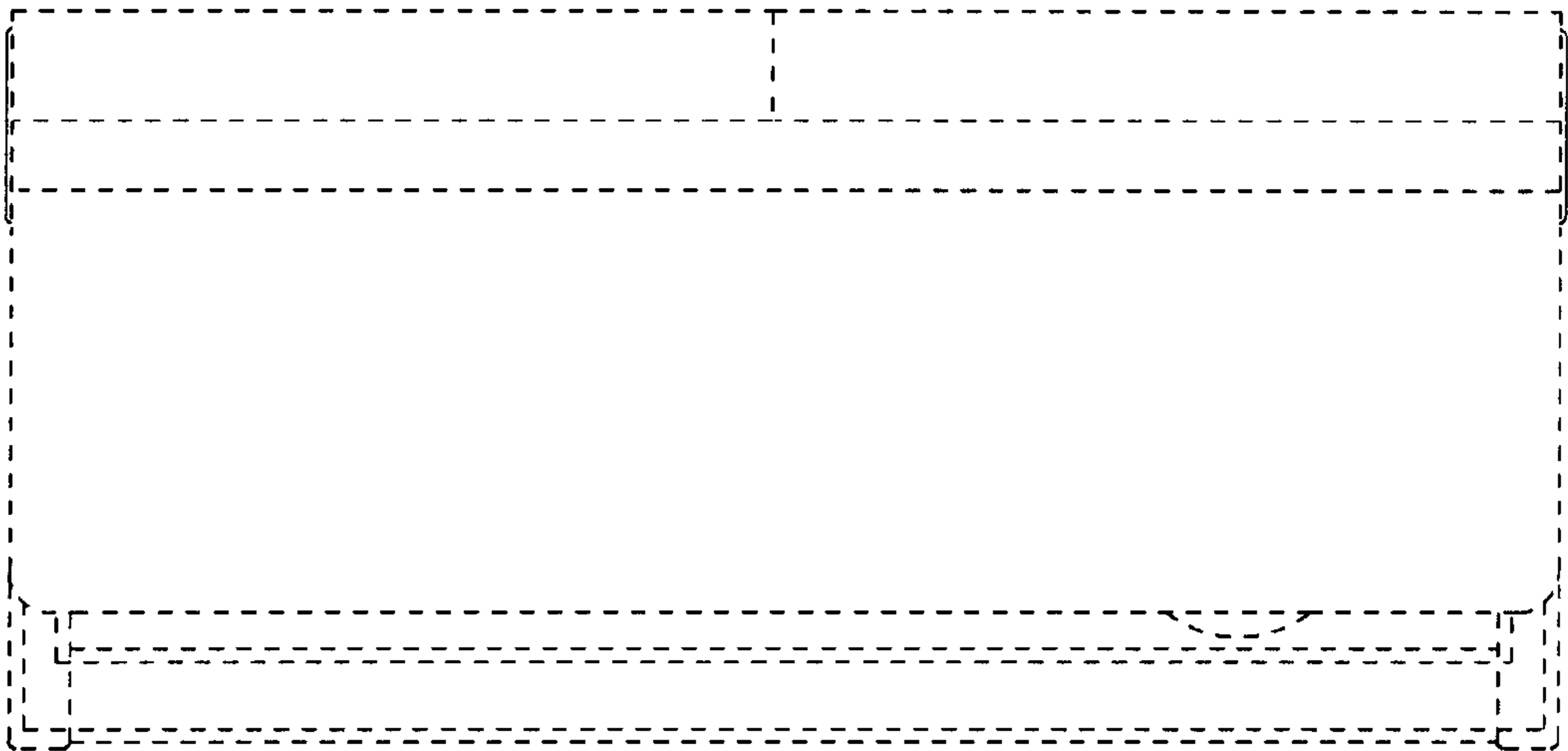
**Fig. 4**



**Fig. 5**



**Fig. 6**



**Fig. 7**