



US00D466489S

(12) **United States Design Patent**
Renard

(10) **Patent No.: US D466,489 S**

(45) **Date of Patent: ** Dec. 3, 2002**

(54) **TELEPHONE SET**

(75) **Inventor: Marc Renard, Suresnes (FR)**

(73) **Assignee: EADS Defence and Security
Networks, Montigny-le-Bretonneaux
(FR)**

(**) **Term: 14 Years**

(21) **Appl. No.: 29/132,365**

(22) **Filed: Nov. 8, 2000**

Related U.S. Application Data

(62) **Division of application No. 29/131,209, filed on Oct. 17, 2000.**

(30) **Foreign Application Priority Data**

Apr. 19, 2000 (XH) DM/051 745

(51) **LOC (7) Cl. 14-03**

(52) **U.S. Cl. D14/151**

(58) **Field of Search** D14/434, 329,
D14/330, 447, 148, 147, 149-151, 140-142,
240, 241, 251, 253, 130; 379/420.01, 420.02,
420.03, 419, 420.04, 428.02, 428.01, 428.04,
428.03, 454, 440, 446; D13/107, 108; 320/110,
113, 114, 115

(56) **References Cited**

U.S. PATENT DOCUMENTS

D294,248 S	*	2/1988	Richter et al.	D14/151
D294,351 S	*	2/1988	Richter et al.	D14/151
D297,137 S	*	8/1988	Richter et al.	D14/151
D298,532 S	*	11/1988	Richardson et al.	D14/151
4,782,522 A	*	11/1988	Kramer et al.	379/368
D298,939 S	*	12/1988	Morikawa et al.	D14/151

4,790,007 A	*	12/1988	Richter et al.	379/420
D307,145 S	*	4/1990	Oshima et al.	D14/241
D311,918 S	*	11/1990	Renard	D14/241
D316,549 S	*	4/1991	Hampf	D14/159
D339,343 S	*	9/1993	Aellen	D14/151
D361,765 S	*	8/1995	Bryant	D14/151
D364,622 S	*	11/1995	Hillenmayer	D14/151
D372,240 S	*	7/1996	Boykiw	D14/151
D374,667 S	*	10/1996	Elkins et al.	D14/151
D375,095 S	*	10/1996	Hillenmayer et al.	D14/151
D386,759 S	*	11/1997	Elkins et al.	D14/151
D389,145 S	*	1/1998	Yoneyama	D14/151
5,761,297 A	*	6/1998	Kingsbury et al.	379/428
D404,732 S	*	1/1999	Mason et al.	D14/151
D412,171 S	*	7/1999	Girardi et al.	D14/151
D438,189 S	*	2/2001	Korby et al.	D14/151

* cited by examiner

Primary Examiner—Jeffrey Asch

(74) *Attorney, Agent, or Firm*—Nath & Associates PLLC;
Gary M. Nath; Marvin C. Berkowitz

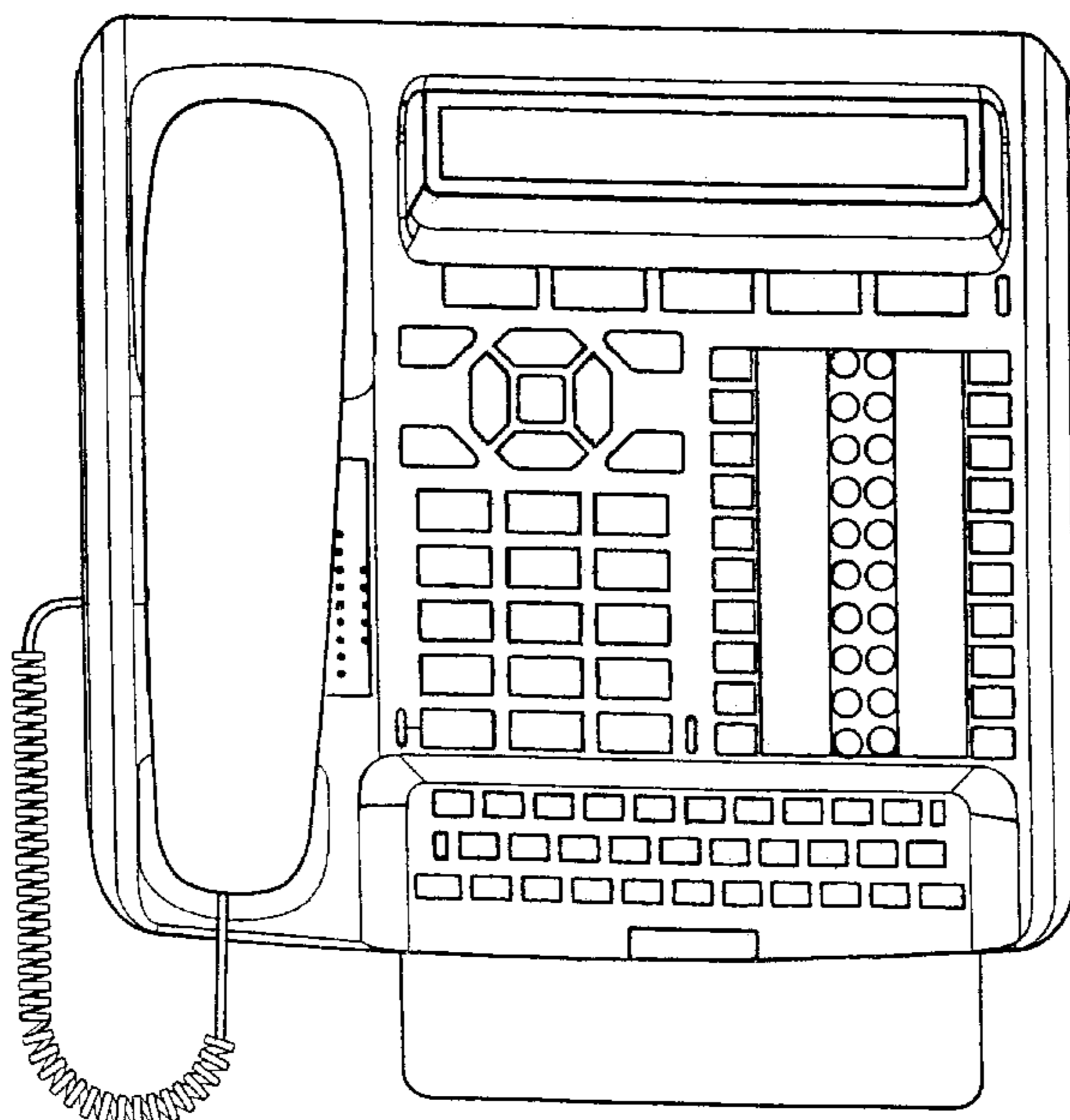
(57) **CLAIM**

The ornamental design for a telephone set, as shown and described.

DESCRIPTION

FIG. 1 is a top plan view of a telephone set showing my new design,
FIG. 2 is a bottom plan view thereof,
FIG. 3 is a left side elevation view thereof,
FIG. 4 is a front elevation view thereof; and,
FIG. 5 is a rear elevation view thereof.
The handset and cord has been omitted from FIG. 5; and the cord has been omitted from FIGS. 2 and 4 for convenience of illustration. In FIG. 1 a feature has been shown extended to an open position.

1 Claim, 5 Drawing Sheets



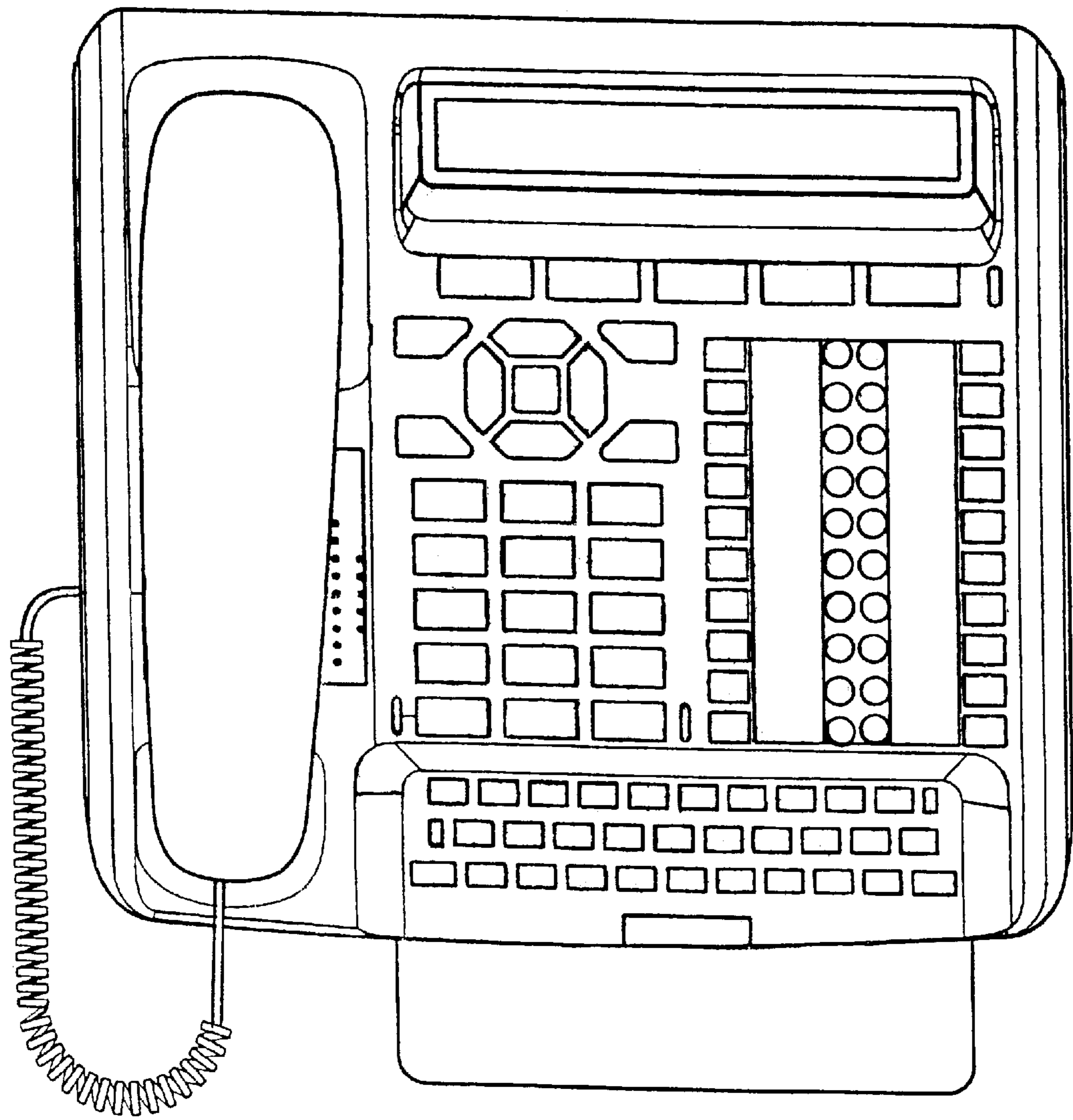


FIG.1

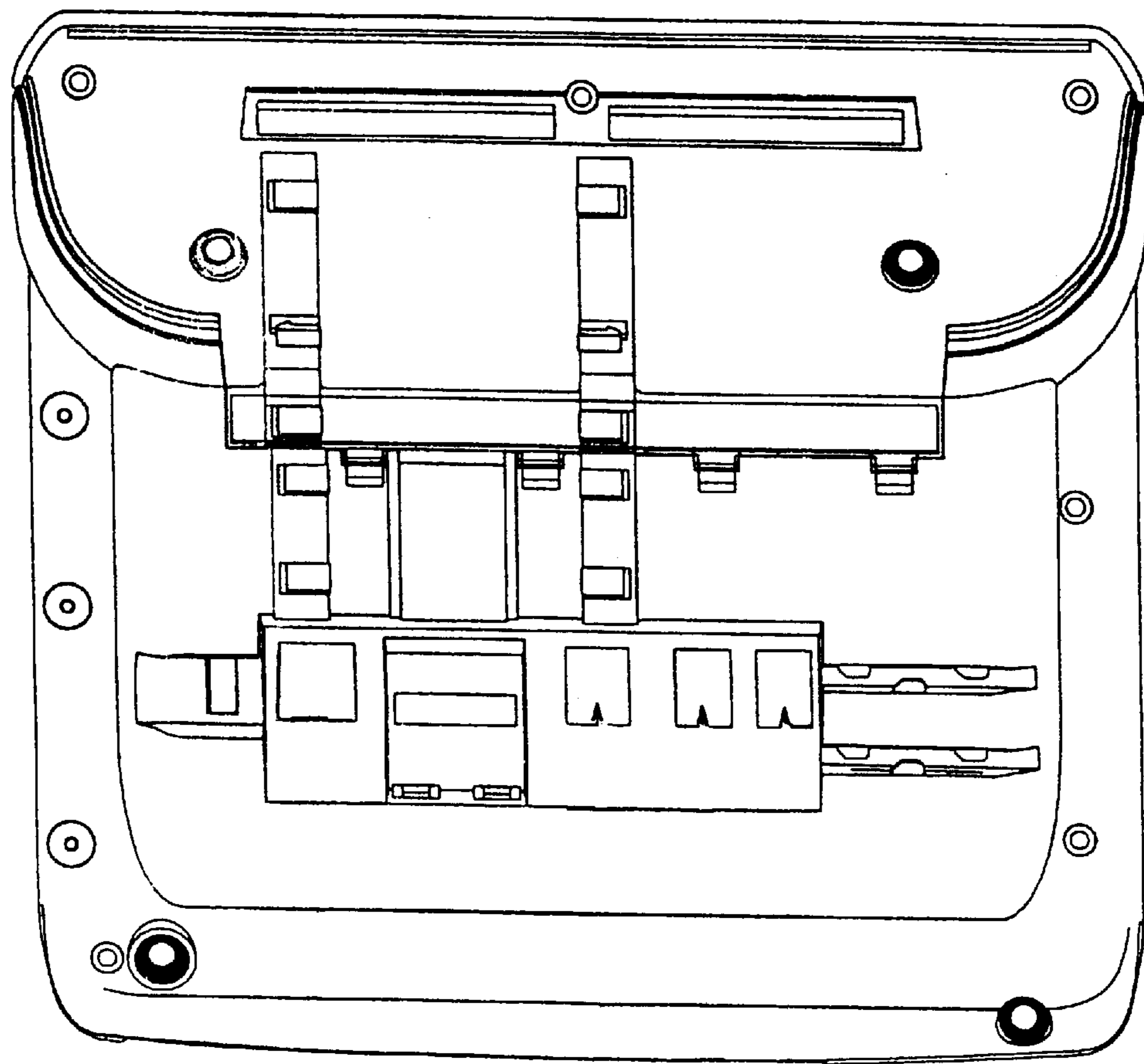


FIG. 2

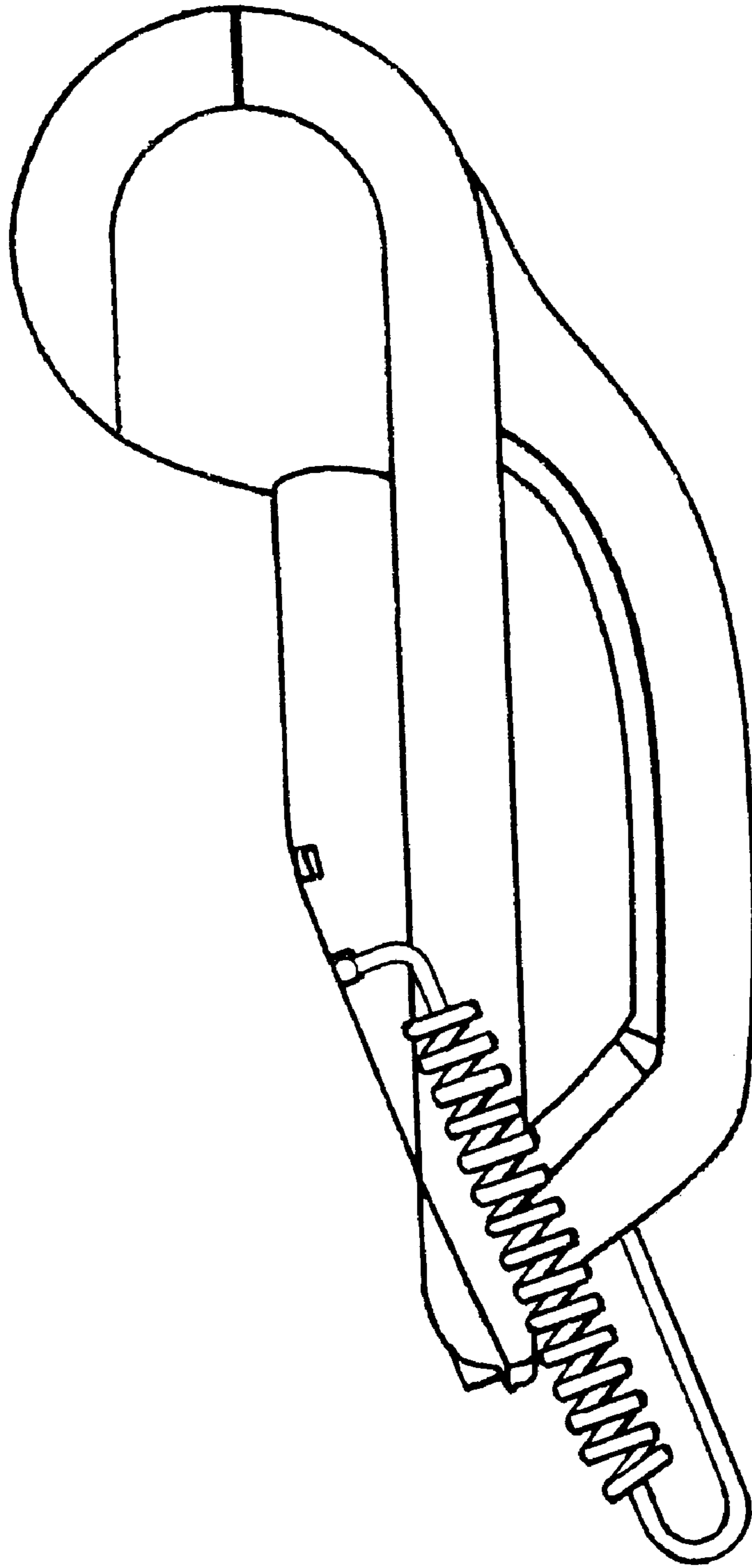


FIG. 3

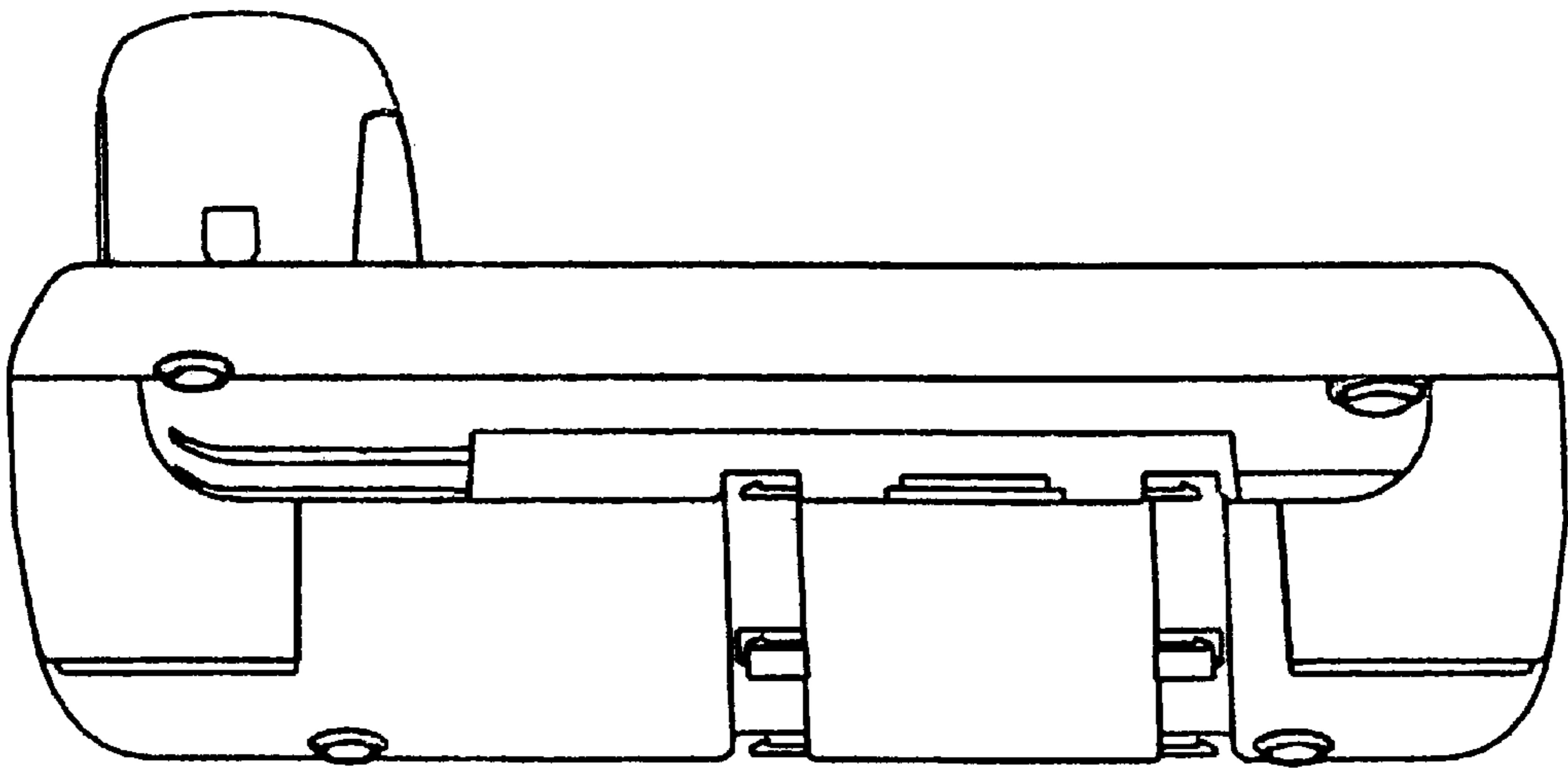


FIG. 4

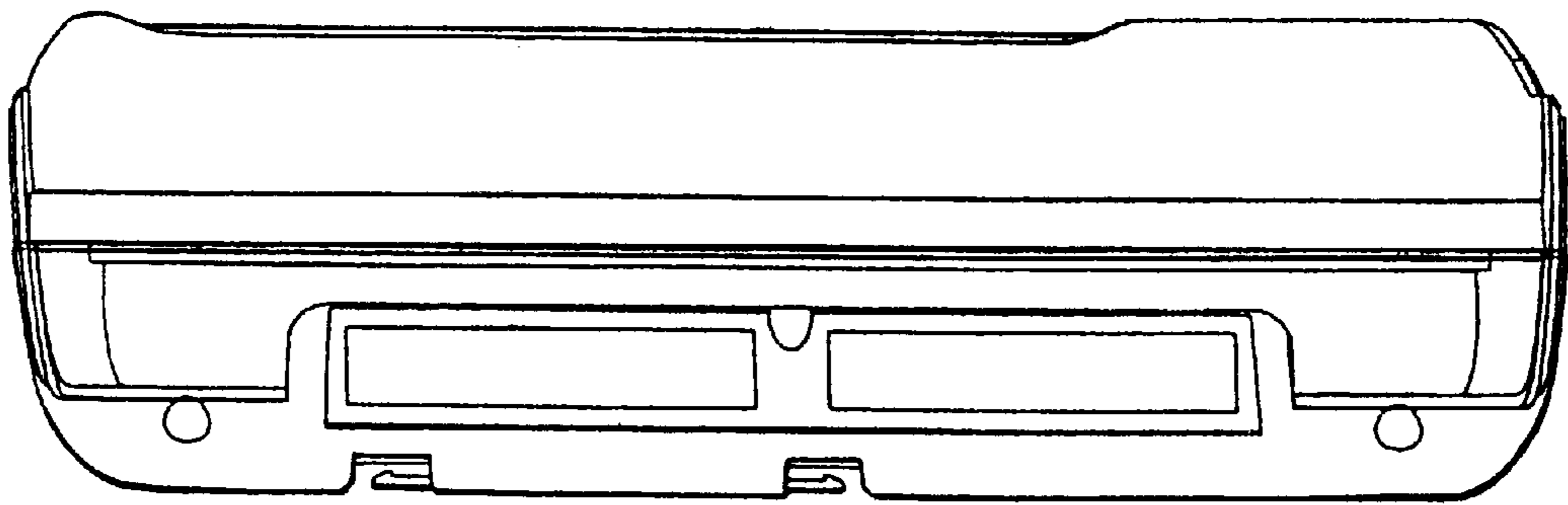


FIG. 5