



US00D466482S

(12) **United States Design Patent**  
**Wu**

(10) **Patent No.: US D466,482 S**

(45) **Date of Patent: \*\* Dec. 3, 2002**

(54) **ELECTRICAL CONNECTOR**

(75) Inventor: **Jerry Wu, Pan-Chiao (TW)**

(73) Assignee: **Hon Hai Precision Ind. Co., Ltd.,  
Taipei Hsien (TW)**

(\*\*) Term: **14 Years**

(21) Appl. No.: **29/149,138**

(22) Filed: **Oct. 1, 2001**

(51) **LOC (7) Cl. .... 13-03**

(52) **U.S. Cl. .... D13/147**

(58) **Field of Search .... D13/147; 439/347,  
439/352, 353, 571**

(56) **References Cited**

**U.S. PATENT DOCUMENTS**

- 6,065,979 A \* 5/2000 Lai et al. .... 439/79
- 6,146,179 A \* 11/2000 Denny et al. .... 439/352
- D435,831 S \* 1/2001 Ko ..... D13/147

- D441,718 S \* 5/2001 Weng et al. .... D13/147
- 6,354,875 B1 \* 3/2002 Wu ..... 439/607
- D455,127 S \* 4/2002 Wu ..... D13/147
- D455,718 S \* 4/2002 Hwang ..... D13/147

\* cited by examiner

*Primary Examiner*—Joel Sincavage

(74) *Attorney, Agent, or Firm*—Wei Te Chung

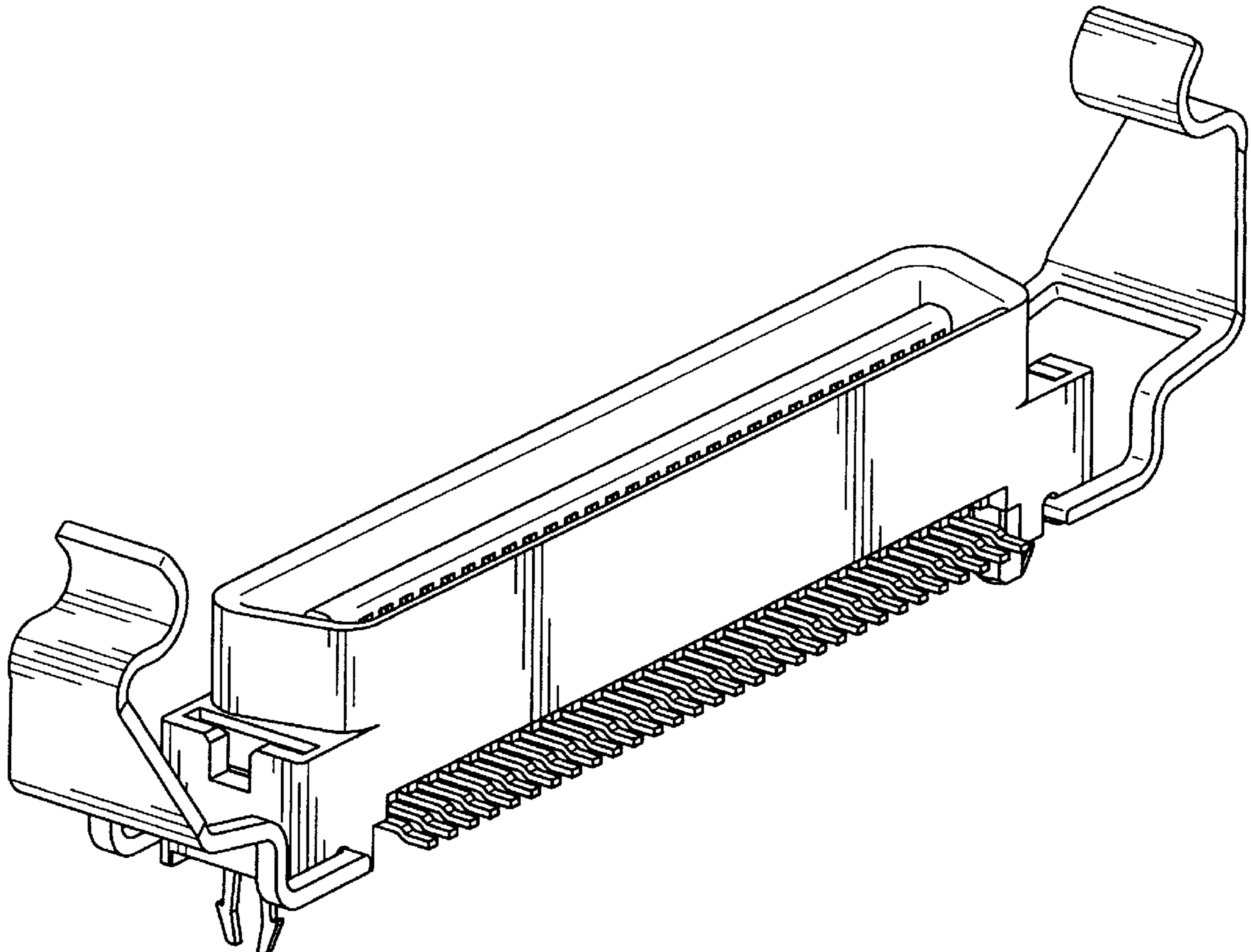
(57) **CLAIM**

The ornamental design for an electrical connector, as shown.

**DESCRIPTION**

FIG. 1 is a front, top and left side perspective view of an electrical connector showing my new design;  
 FIG. 2 is a front elevational view thereof;  
 FIG. 3 is a rear elevational view thereof;  
 FIG. 4 is a left side elevational view thereof;  
 FIG. 5 is a right side elevational view thereof;  
 FIG. 6 is a top plan view thereof; and,  
 FIG. 7 is a bottom plan view thereof.

**1 Claim, 5 Drawing Sheets**



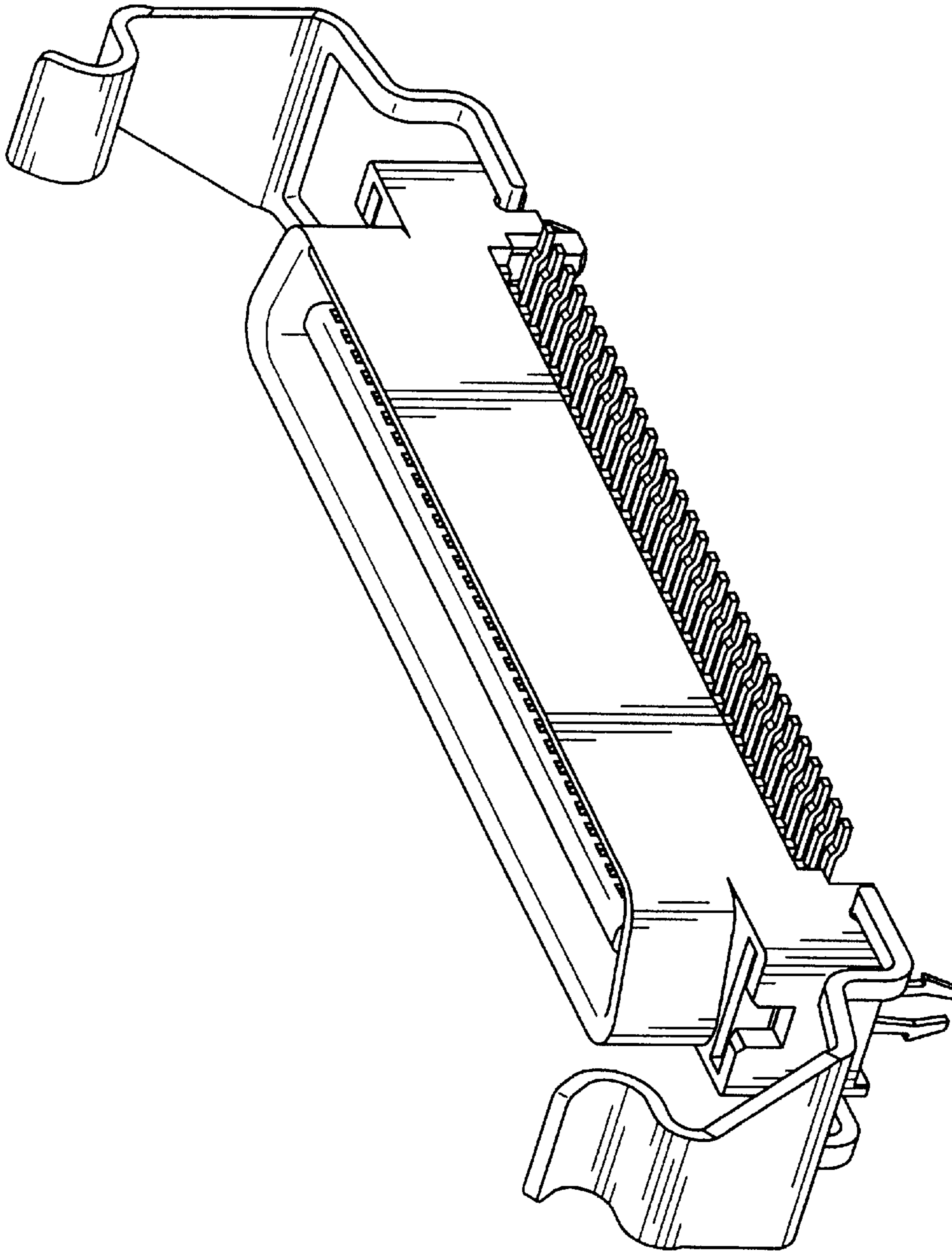


FIG. 1

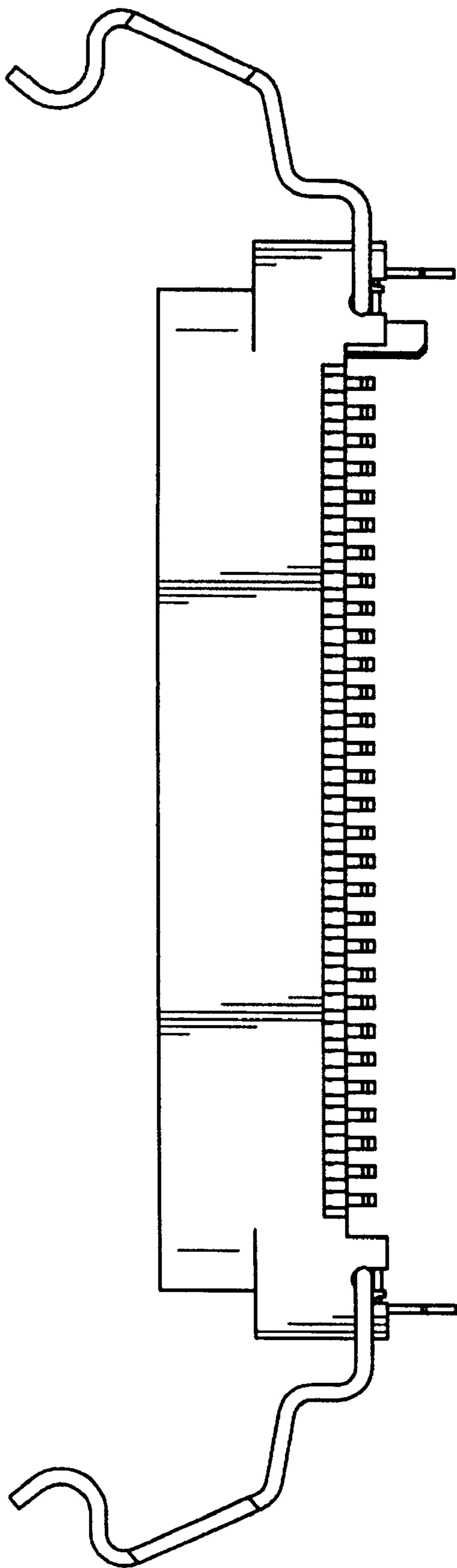


FIG. 2

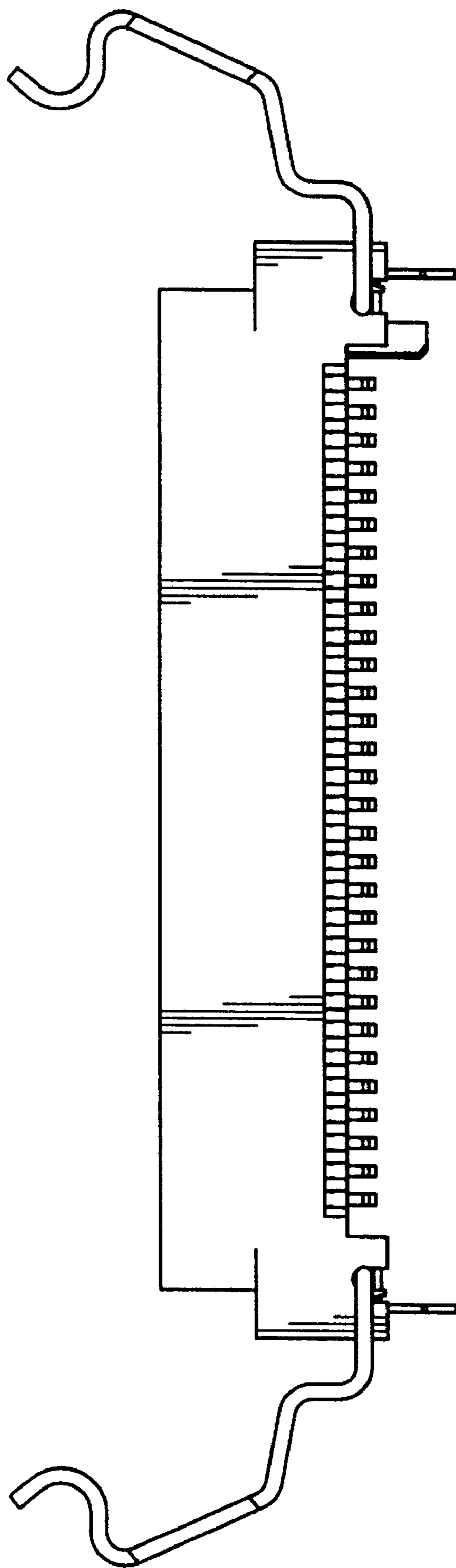


FIG. 3

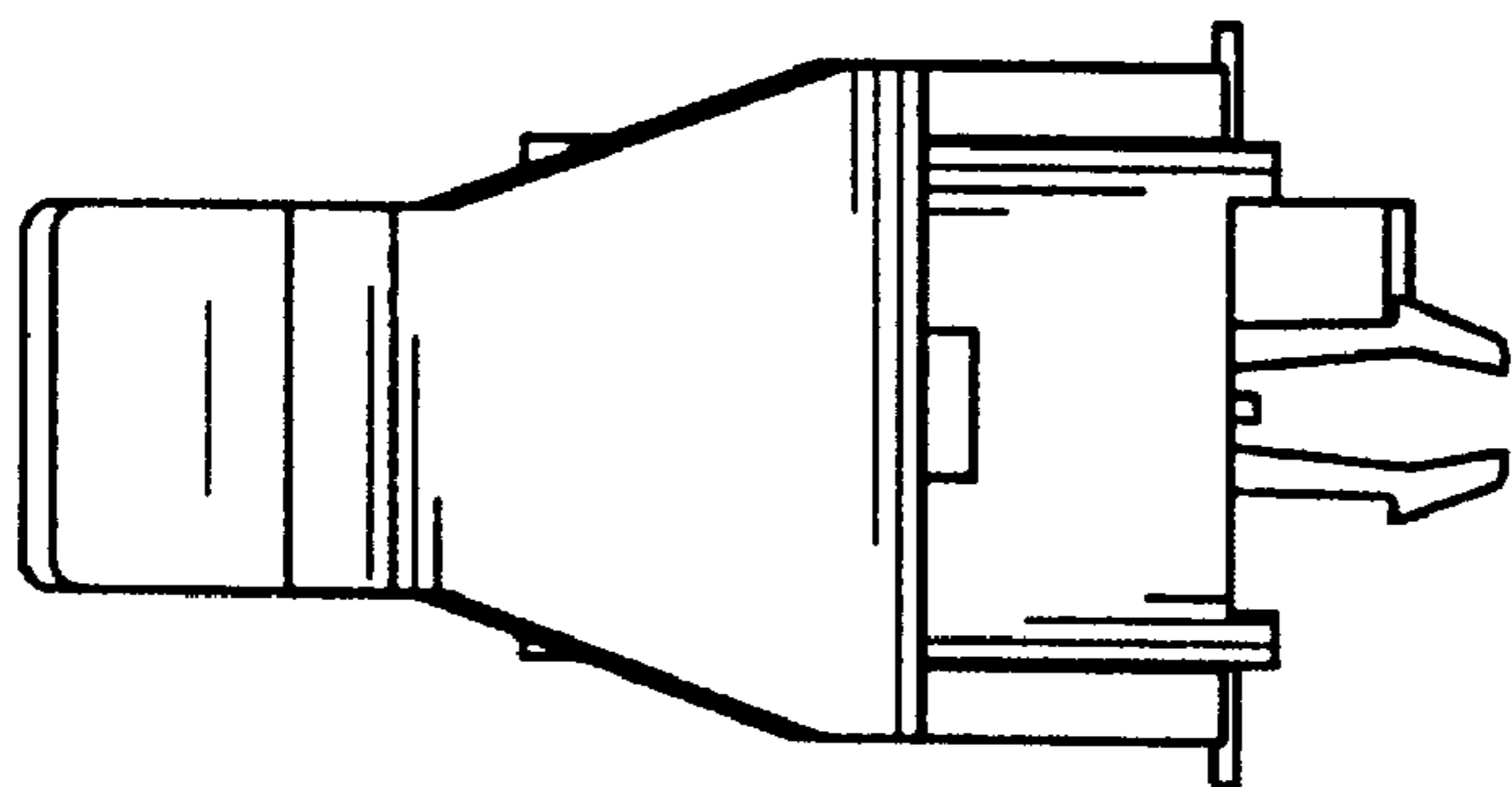


FIG. 5

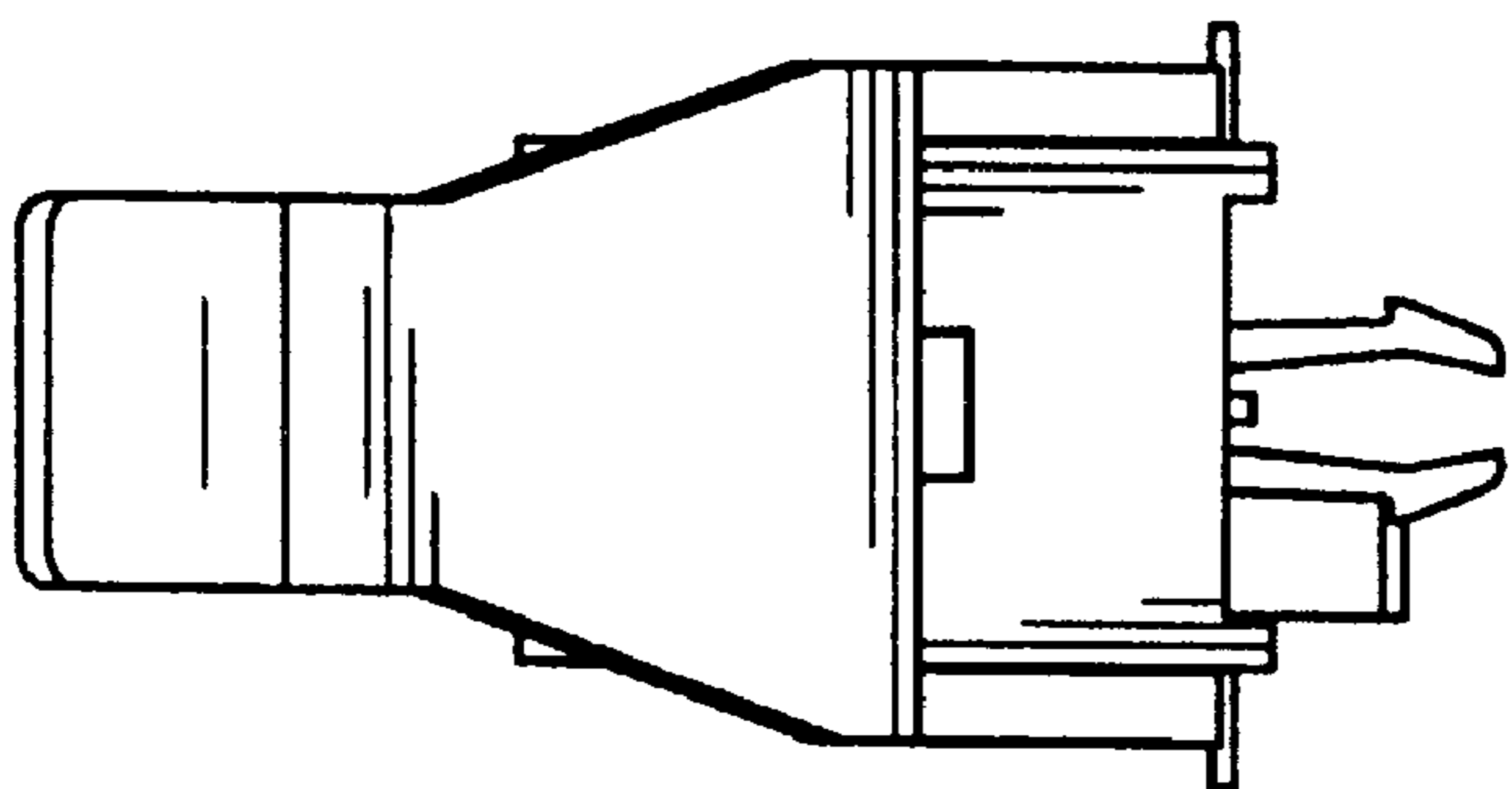


FIG. 4

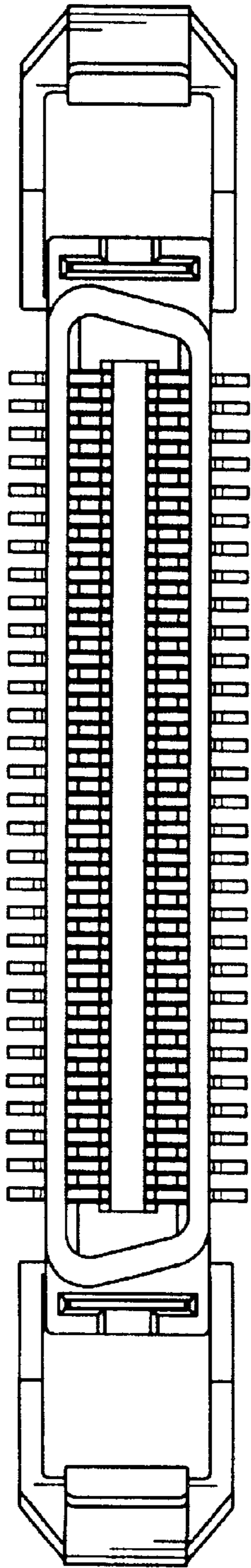


FIG. 6

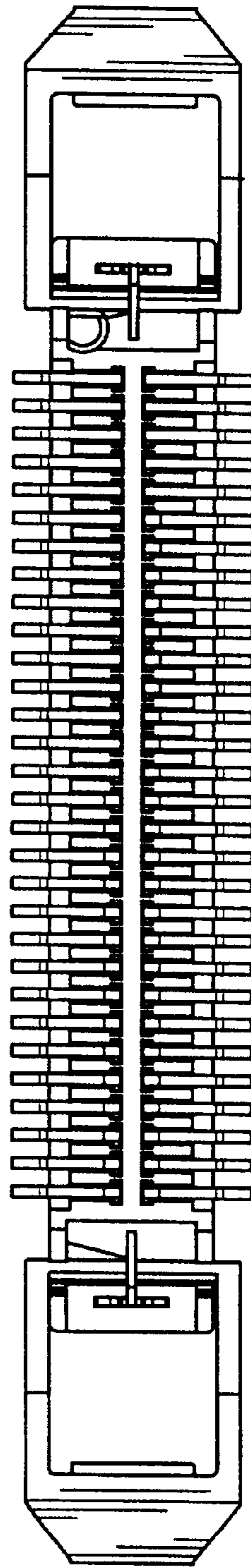


FIG. 7