



US00D466481S

(12) **United States Design Patent**
Wu

(10) **Patent No.:** **US D466,481 S**

(45) **Date of Patent:** **** Dec. 3, 2002**

(54) **ELECTRICAL CONNECTOR WITH POWER CONTACTS**

D431,531 S * 10/2000 Chih D13/147
D455,400 S * 4/2002 Hisatomi et al. D13/147
D455,719 S * 4/2002 Wu D13/147

(75) Inventor: **Jerry Wu**, Pan-Chiao (TW)

* cited by examiner

(73) Assignee: **Hon Hai Precision Ind. Co., Ltd.**,
Taipei Hsien (TW)

Primary Examiner—Joel Sincavage

(74) *Attorney, Agent, or Firm*—Wei Te Chung

(**) Term: **14 Years**

(57) **CLAIM**

(21) Appl. No.: **29/147,330**

The ornamental design for an electrical connector with power contacts, as shown.

(22) Filed: **Aug. 27, 2001**

DESCRIPTION

(51) **LOC (7) Cl.** **13-03**

(52) **U.S. Cl.** **D13/147**

(58) **Field of Search** D13/147; 439/607,
439/609, 567, 497

FIG. 1 is a front, top and left side perspective view of an electrical connector with power contacts showing our new design;

FIG. 2 is a front elevational view thereof;

FIG. 3 is a rear elevational view thereof;

FIG. 4 is a left side elevational view thereof;

FIG. 5 is a right side elevational view thereof;

FIG. 6 is a top plan view thereof; and,

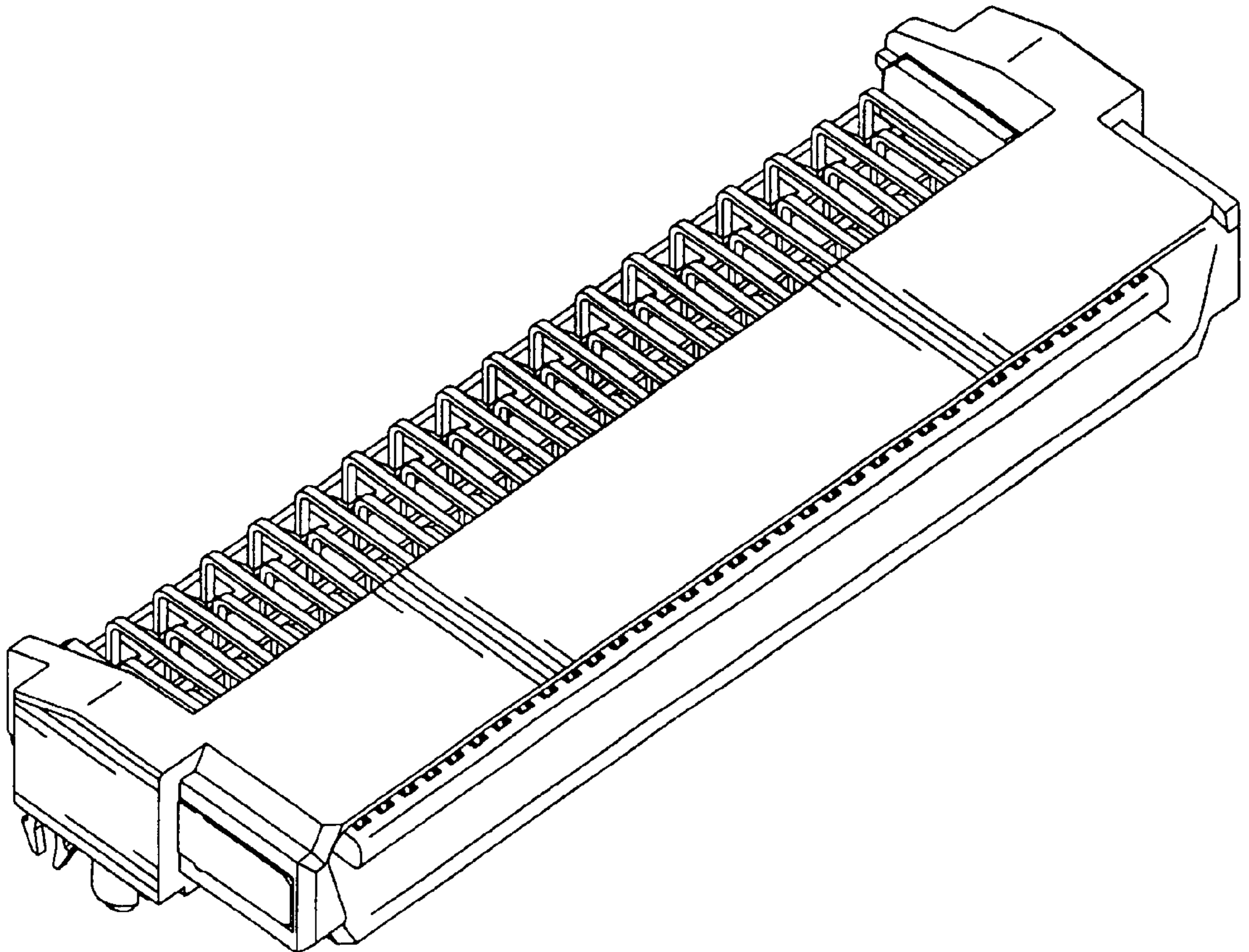
FIG. 7 is a bottom plan view thereof.

(56) **References Cited**

U.S. PATENT DOCUMENTS

5,125,853 A * 6/1992 Hashiguchi 439/607
5,967,846 A * 10/1999 Davis et al. 439/609
D416,865 S * 11/1999 Chiou D13/147

1 Claim, 4 Drawing Sheets



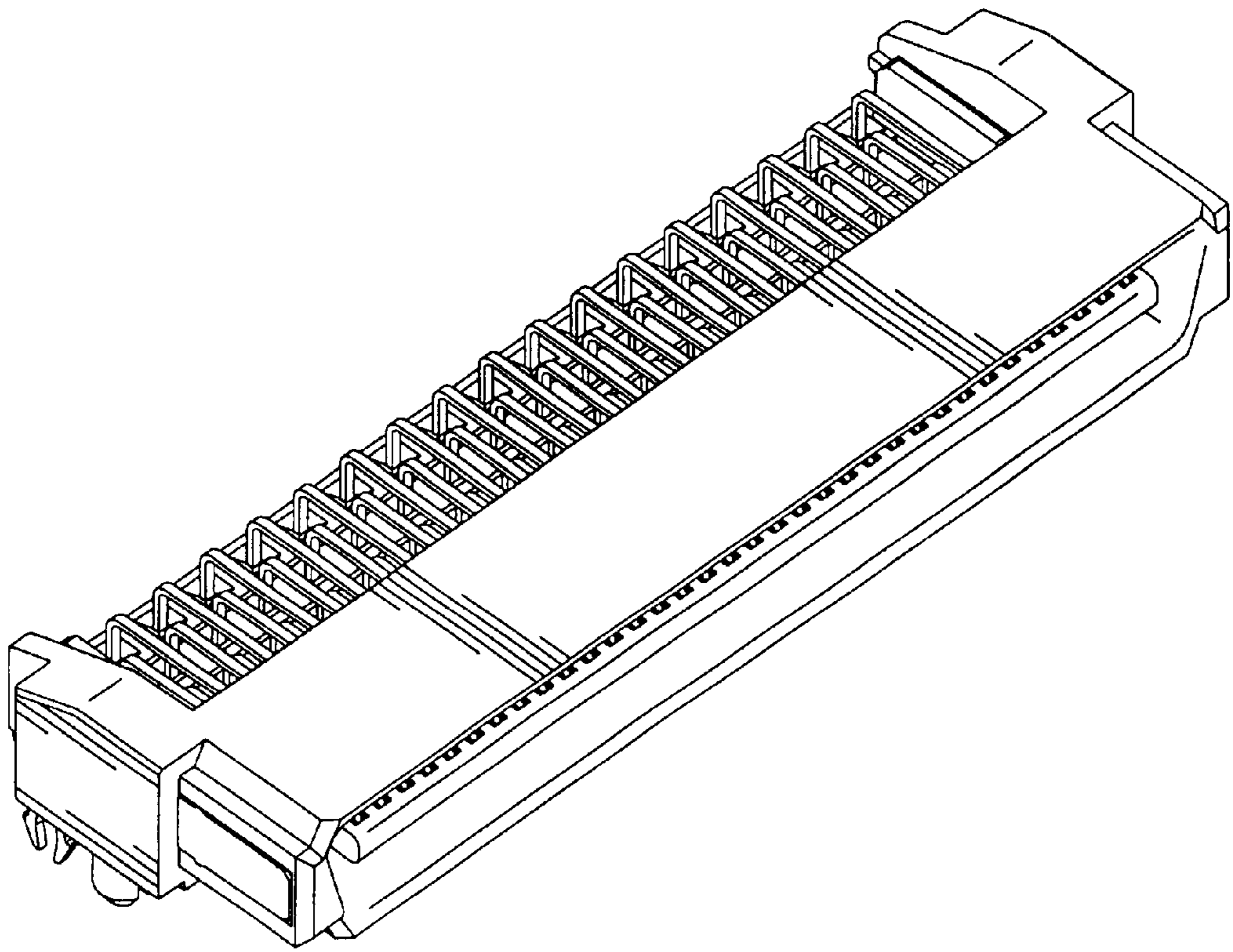


FIG. 1

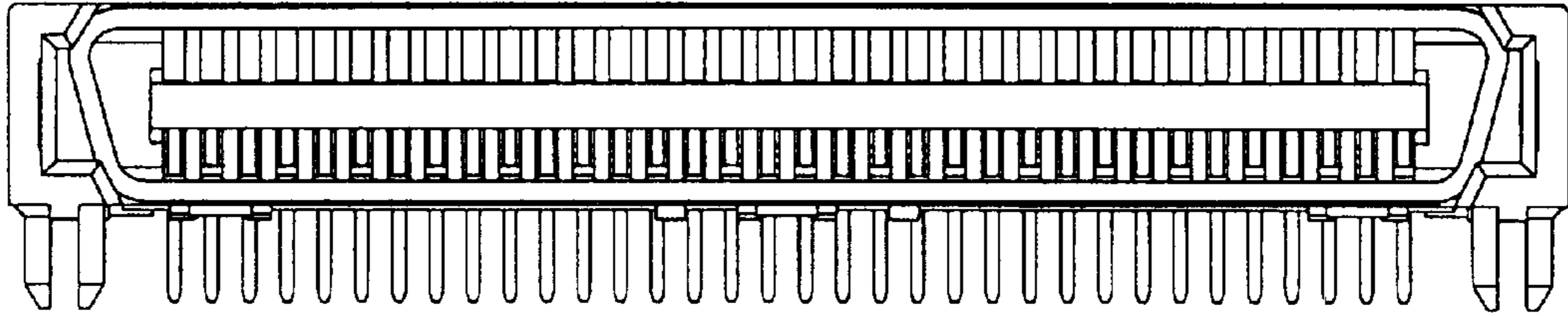


FIG. 2

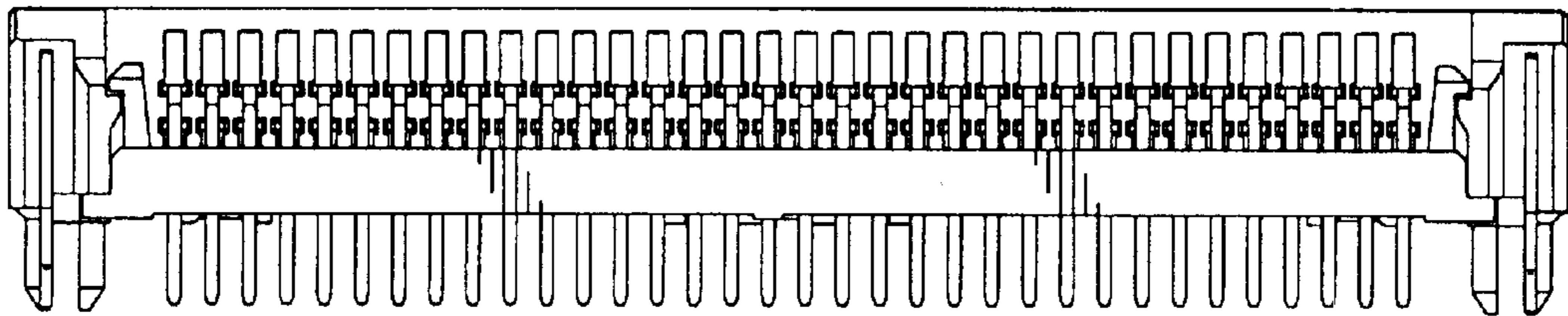


FIG. 3

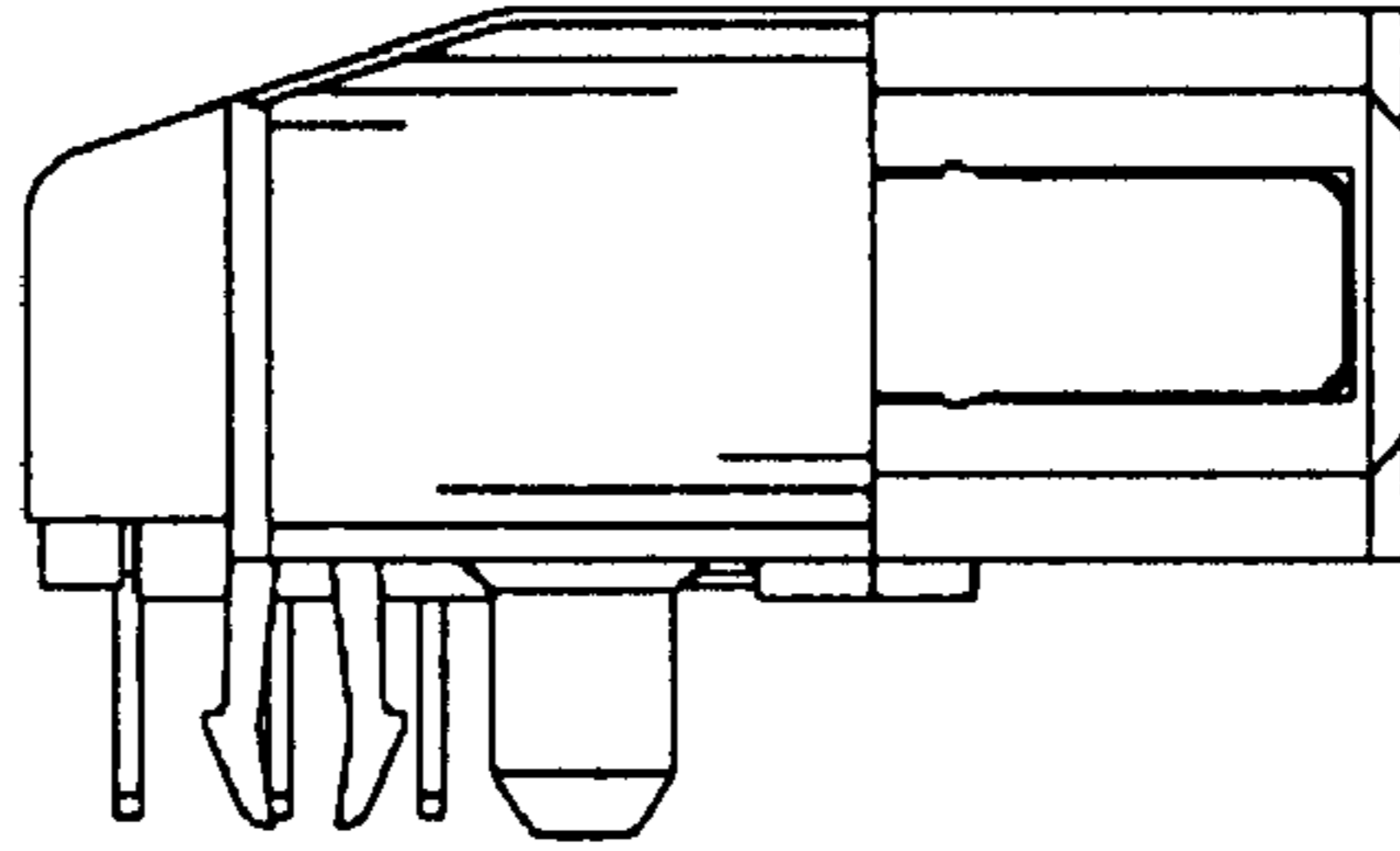


FIG. 4

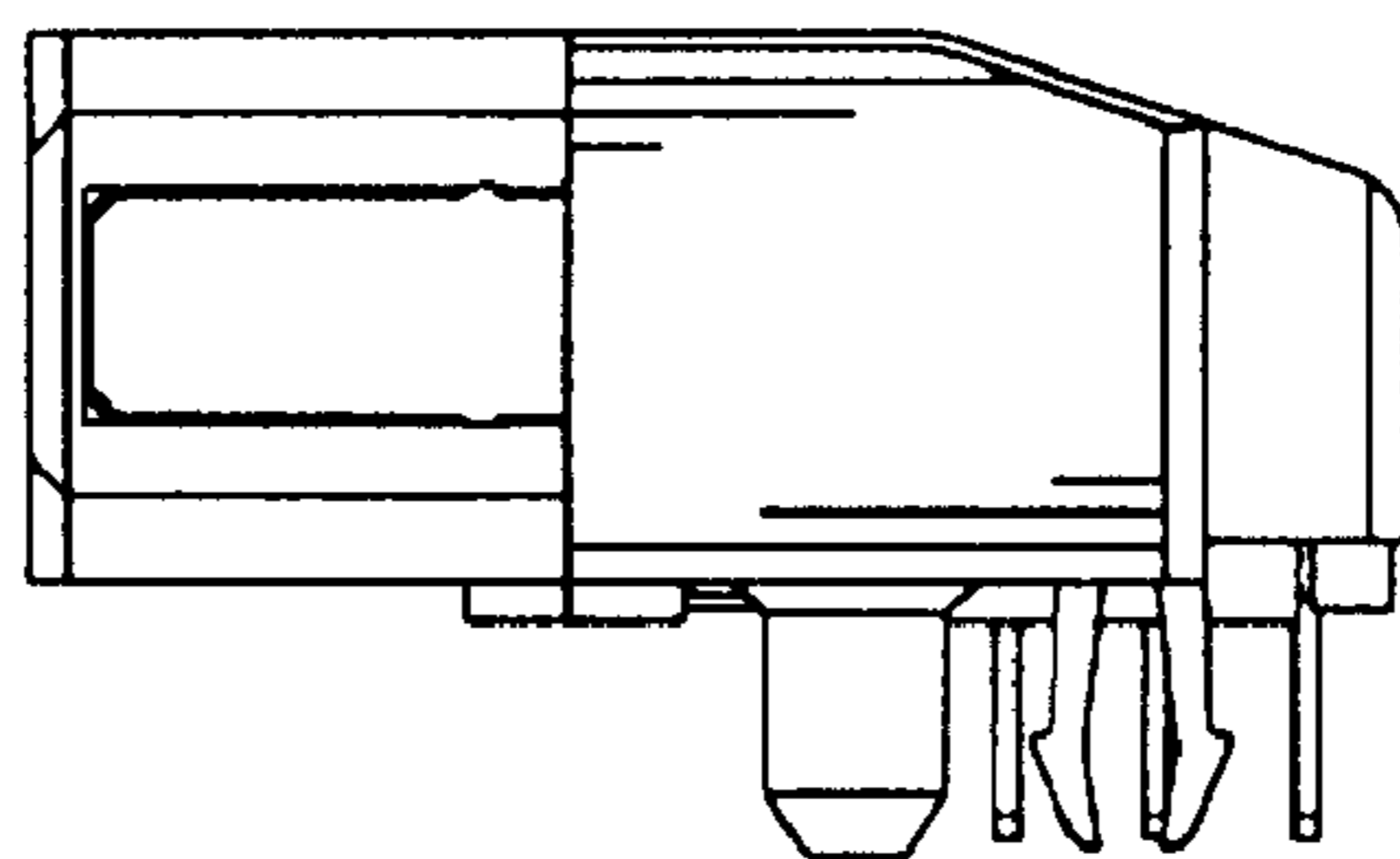


FIG. 5

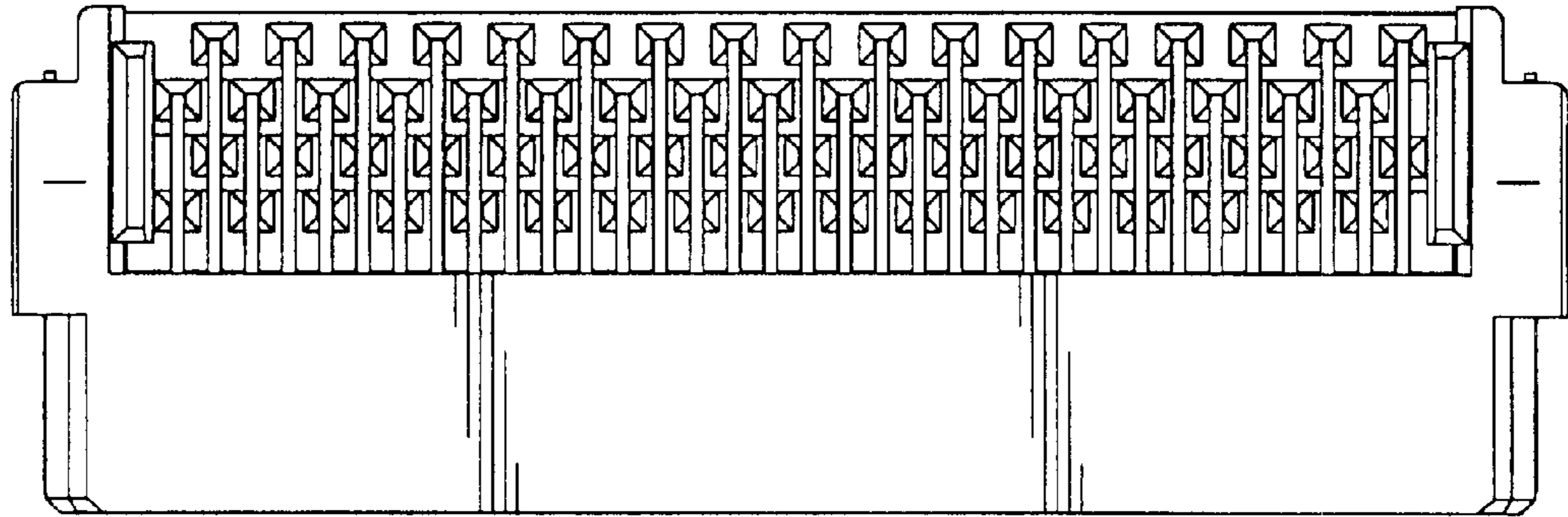


FIG. 6

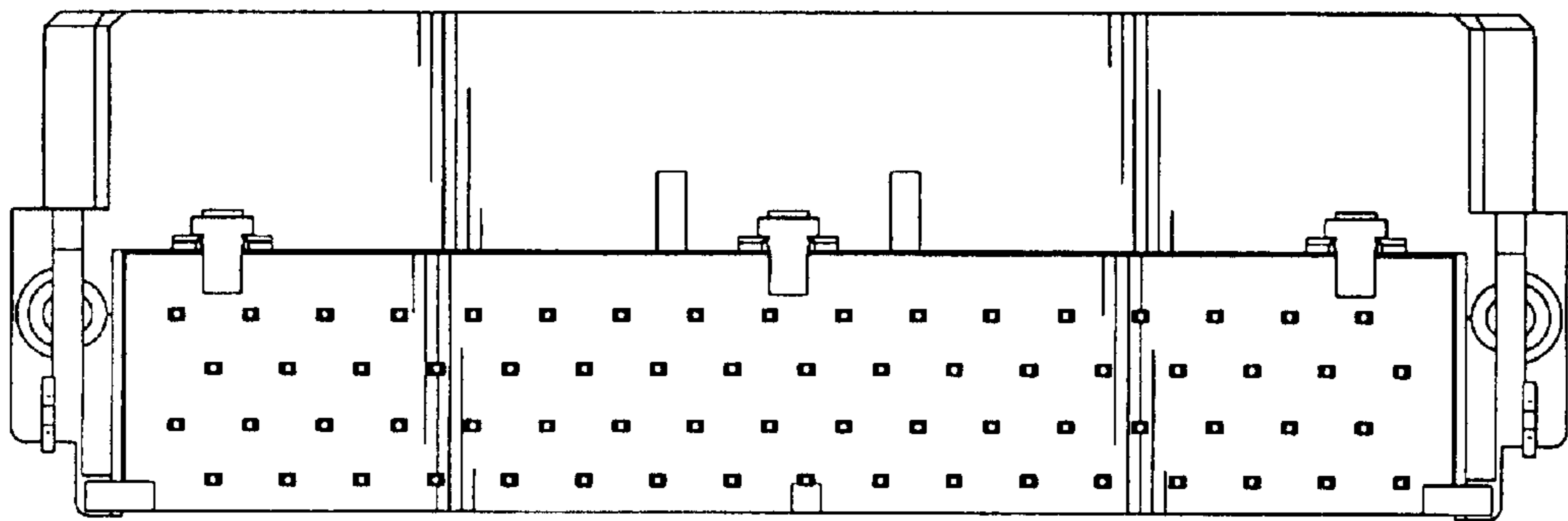


FIG. 7