



US00D466480S

(12) **United States Design Patent**
Yeh

(10) **Patent No.:** **US D466,480 S**

(45) **Date of Patent:** **** Dec. 3, 2002**

(54) **VERTICAL SMT-TYPE CONNECTOR**

(75) **Inventor:** **Joel Jyhaur Yeh**, Diamond Bar, CA (US)

(73) **Assignee:** **Hon Hai Precision Ind. Co., Ltd.**, Taipei Hsien (TW)

(**) **Term:** **14 Years**

(21) **Appl. No.:** **29/137,310**

(22) **Filed:** **Feb. 16, 2001**

(51) **LOC (7) Cl.** **13-03**

(52) **U.S. Cl.** **D13/147**

(58) **Field of Search** D13/147; 439/378, 439/680, 607, 609, 571

(56) **References Cited**

U.S. PATENT DOCUMENTS

D399,490	S	*	10/1998	Gerke et al.	D13/147
6,123,582	A	*	9/2000	Ko et al.	439/579
D435,244	S	*	12/2000	Lok	D13/147
D435,831	S	*	1/2001	Ko	D13/147
D441,718	S	*	5/2001	Weng et al.	D13/147

6,231,389	B1	*	5/2001	Lai	439/607
6,319,059	B1	*	11/2001	Wu	439/607
6,331,122	B1	*	12/2001	Wu	439/378 X
D452,680	S	*	1/2002	Kubota	D13/147
6,354,875	B1	*	3/2002	Wu	439/607
D455,127	S	*	4/2002	Wu	D13/147

* cited by examiner

Primary Examiner—Joel Sincavage

(74) *Attorney, Agent, or Firm*—Wei Te Chung

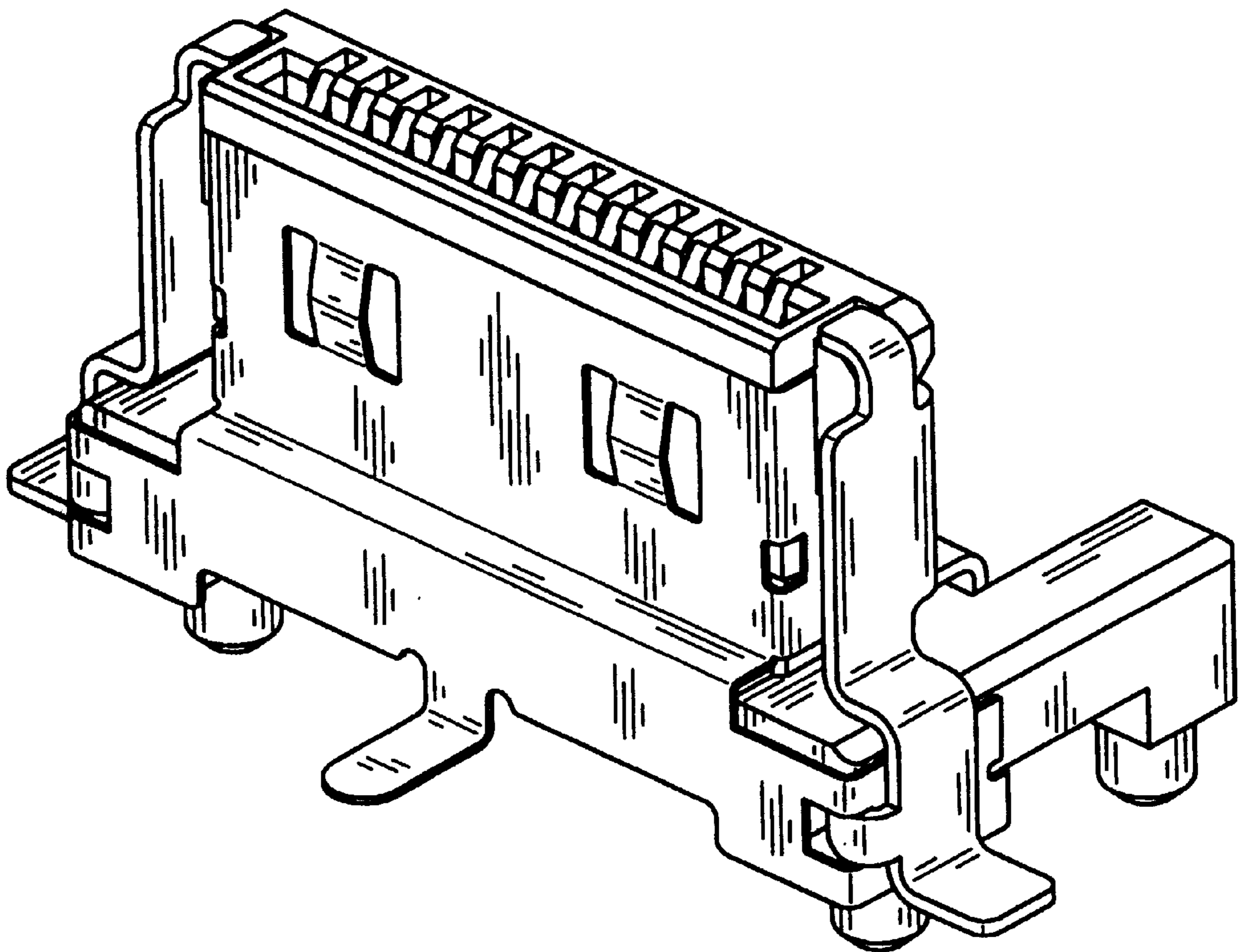
(57) **CLAIM**

The ornamental design for a vertical SMT-type connector, as shown.

DESCRIPTION

FIG. 1 is a front, top and right side perspective view of a vertical SMT-type connector showing my new design; FIG. 2 is a front elevational view thereof; FIG. 3 is a rear elevational view thereof; FIG. 4 is a left side elevational view thereof; FIG. 5 is a right side elevational view thereof; FIG. 6 is a top plan view thereof; and, FIG. 7 is a bottom plan view thereof.

1 Claim, 7 Drawing Sheets



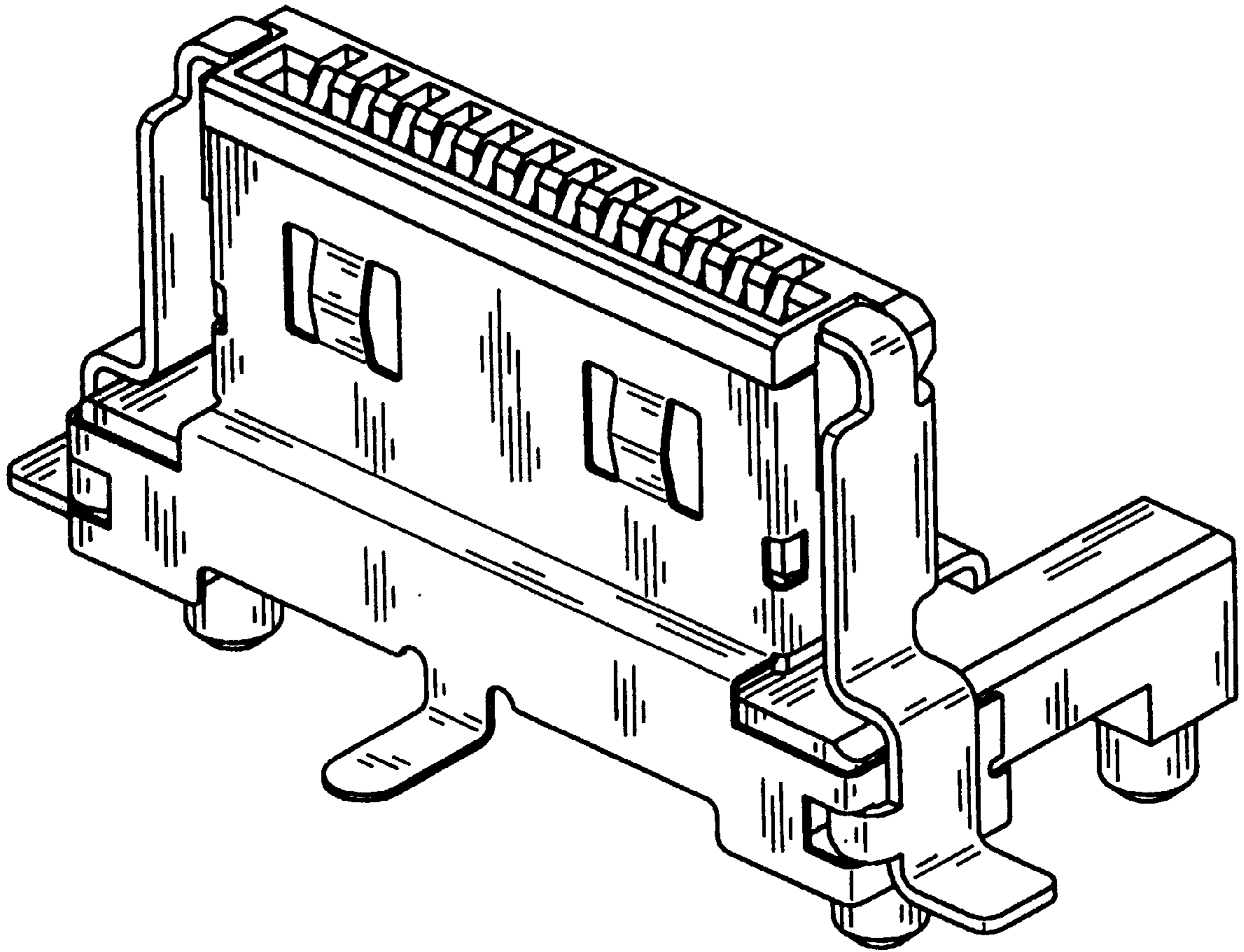


FIG. 1

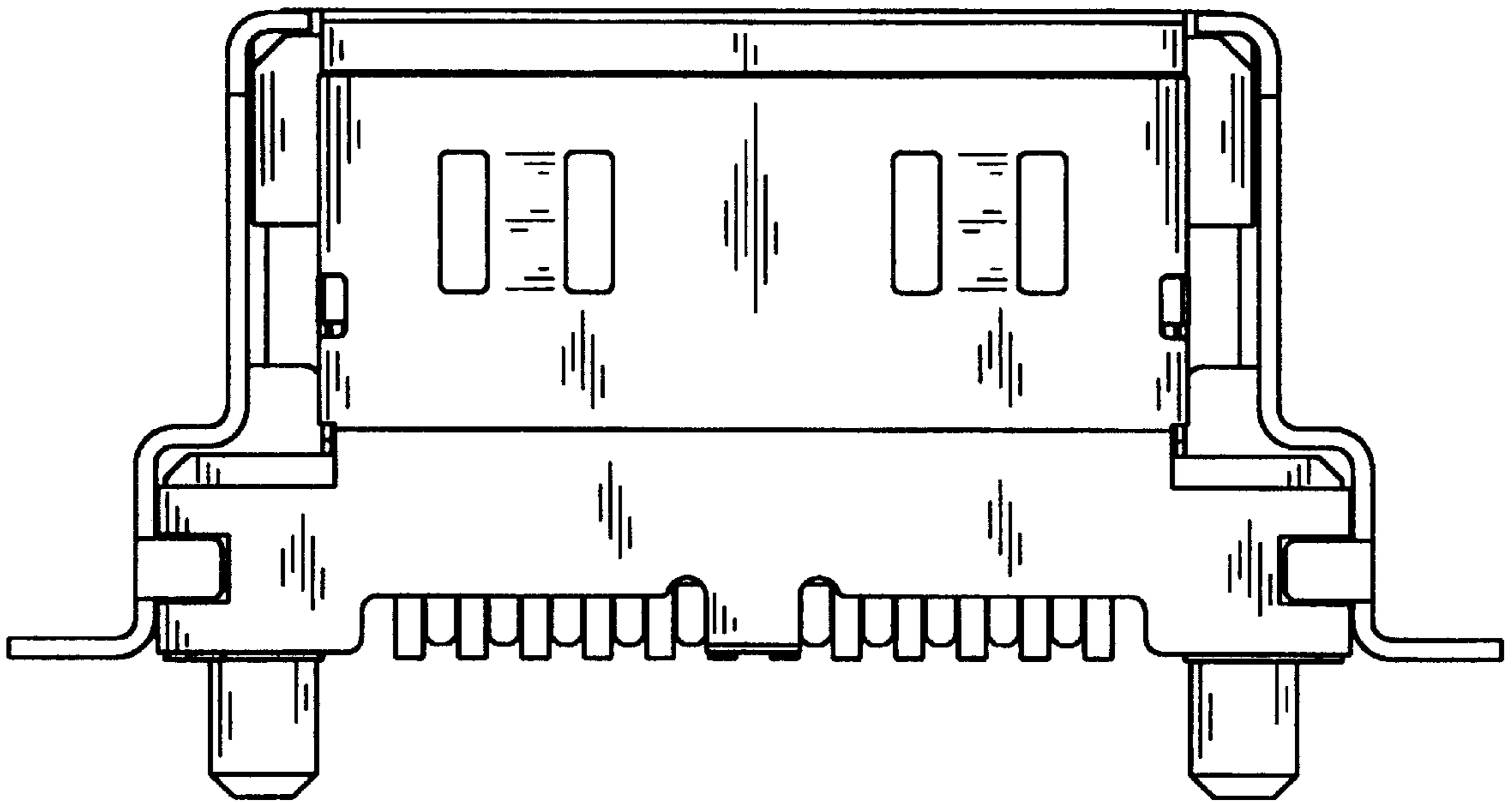


FIG. 2

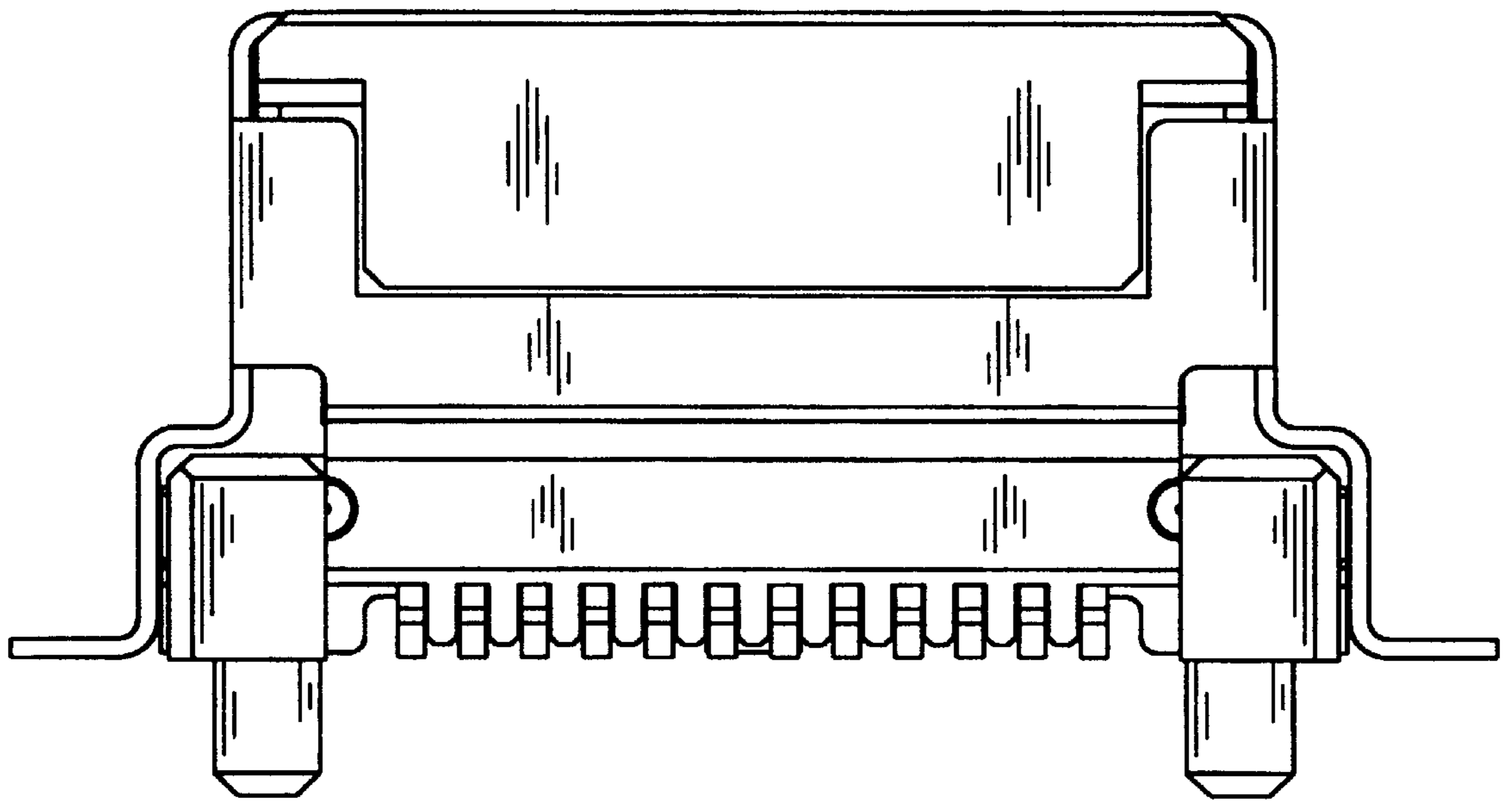


FIG. 3

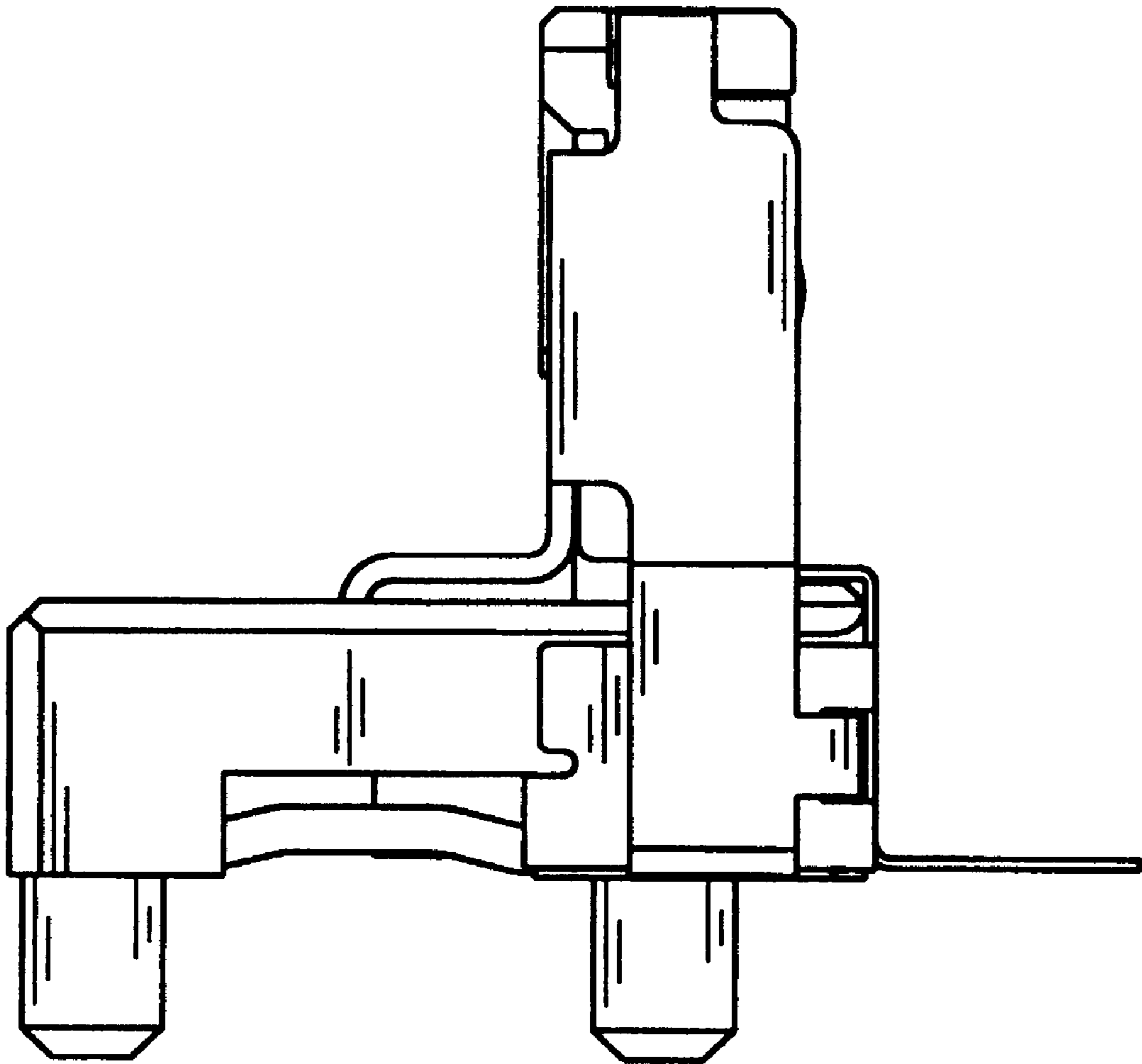


FIG. 4

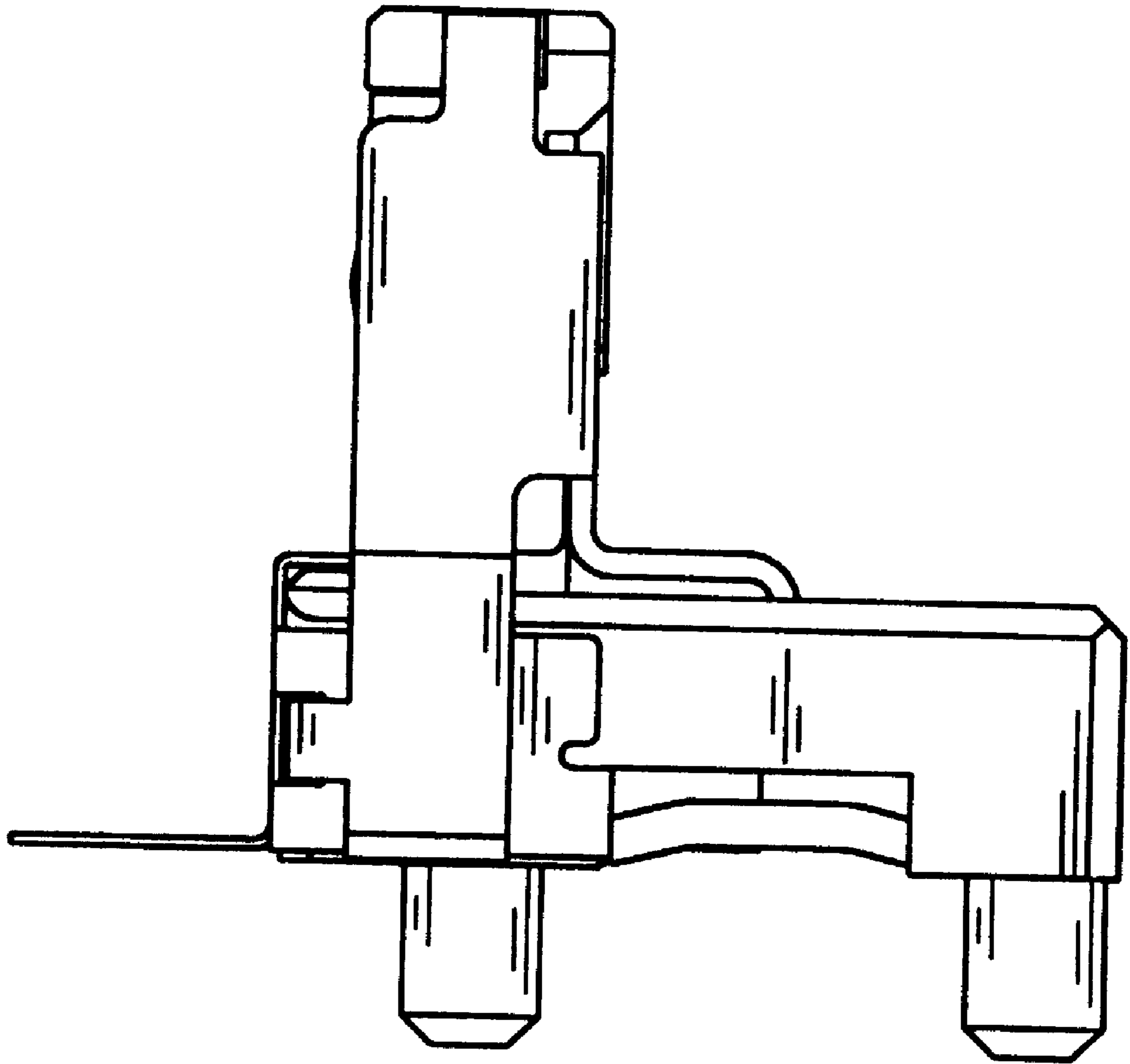


FIG. 5

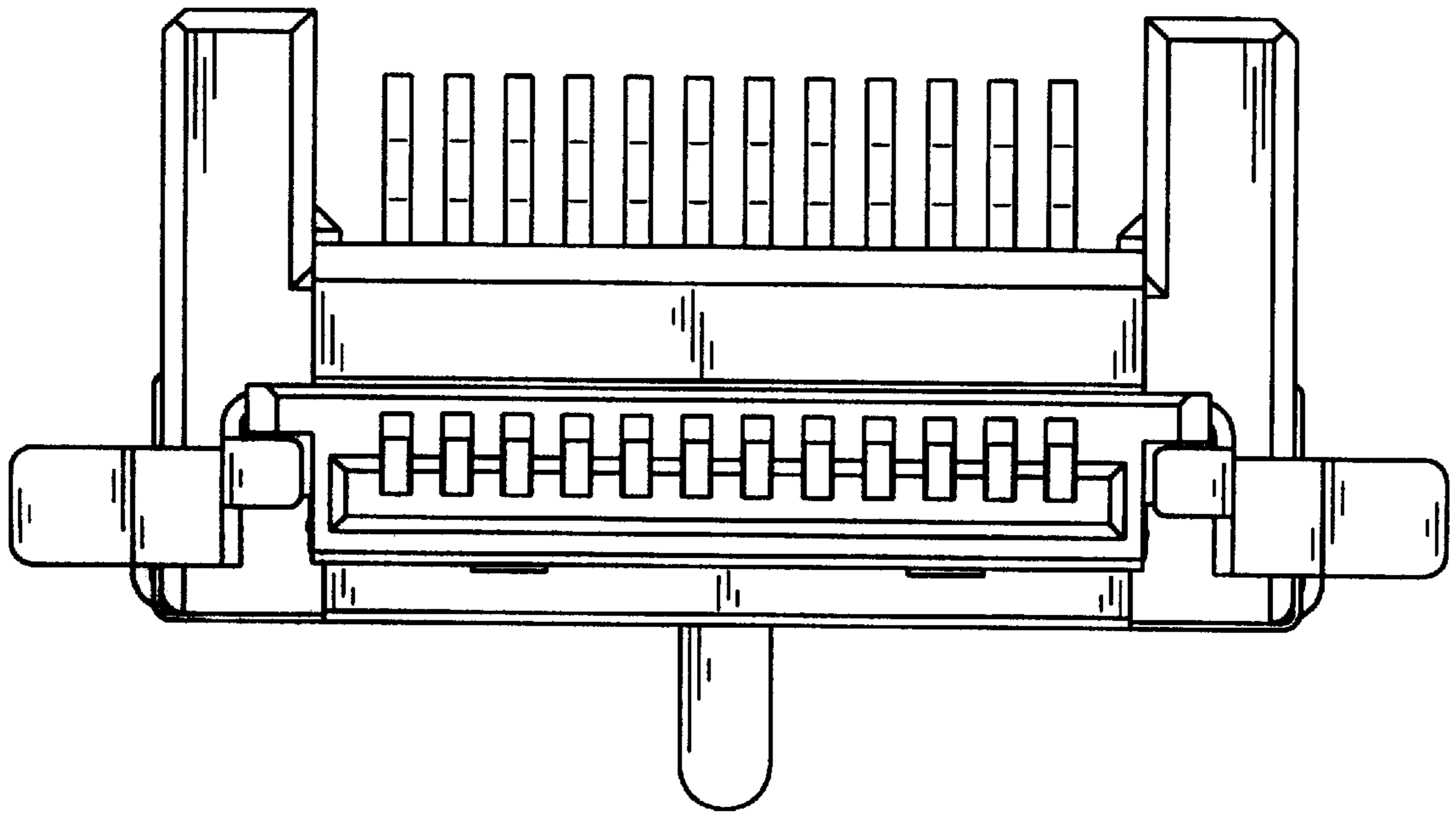


FIG. 6

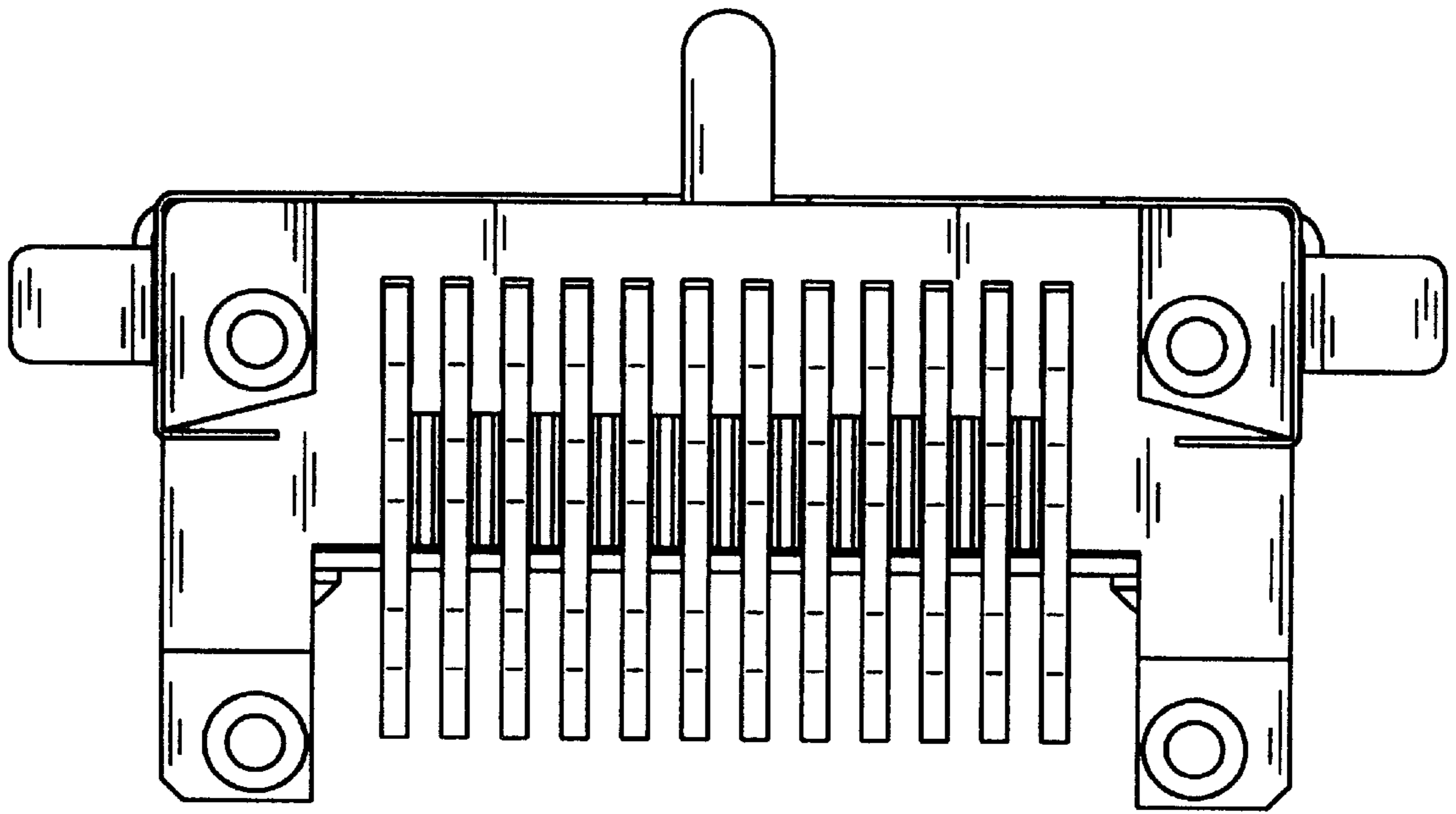


FIG. 7