



US00D466478S

(12) **United States Design Patent** (10) **Patent No.:** **US D466,478 S**
Bolstad et al. (45) **Date of Patent:** **** Dec. 3, 2002**

(54) **ADAPTER SYSTEM FOR A BATTERY**

(75) Inventors: **James J. Bolstad**, Shorewood, WI (US); **Mark S. Inkmann**, Wauwatosa, WI (US); **Lisa M. Franklin**, Racine, WI (US); **David Gondek**, Milwaukee, WI (US)

(73) Assignee: **Johnson Controls Technology Company**, Plymouth, MI (US)

(**) Term: **14 Years**

(21) Appl. No.: **29/148,976**

(22) Filed: **Sep. 28, 2001**

(51) **LOC (7) Cl.** **13-02**

(52) **U.S. Cl.** **D13/119**

(58) **Field of Search** D13/119; 429/122, 429/149, 153, 159, 163, 167, 175, 176, 179; 180/68.5; 248/503

(56) **References Cited**

U.S. PATENT DOCUMENTS

1,952,150	A	*	3/1934	Trimble et al.	429/96
2,842,608	A	*	7/1958	Querengasser et al.	429/176
2,861,117	A	*	11/1958	Sindel	429/176
2,902,532	A	*	9/1959	Toce et al.	429/99
3,105,567	A	*	10/1963	Schultz, Jr.	180/68.5
5,415,956	A	*	5/1995	Ching	429/187
6,023,146	A	*	2/2000	Casale et al.	429/99 X
6,160,702	A	*	12/2000	Lee et al.	429/99 X

OTHER PUBLICATIONS

Adapter available from Johnson Controls, Inc. of Plymouth, Michigan obtained in or about 2000 (4 color sheets).
 Adapter available from Johnson Controls, Inc. of Plymouth, Michigan obtained in or about 2000 (4 color sheets).
 Adapter available from Johnson Controls, Inc. of Plymouth, Michigan obtained in or about 2000 (7 color sheets).
 Adapter available from Delco Electronics Systems of Kokomo, Indiana obtained in or about 2000 (5 color sheets).
 Adapter available from Delco Electronics Systems of Kokomo, Indiana obtained in or about 2000 (4 color sheets).

Adapter available from East Penn Manufacturing Co., Inc. of Lyon Station, Pennsylvania obtained in or about 2000 (3 color sheets).

Adapter available from East Penn Manufacturing Co., Inc. of Lyon Station, Pennsylvania obtained in or about 2000 (3 color sheets).

Adapter available from GNB Technologies, Inc. of Mendota Heights, Minnesota obtained in or about 2000 (3 color sheets).

Adapter available from GNB Technologies, Inc. of Mendota Heights, Minnesota obtained in or about 2000 (5 color sheets).

Adapter available from Exide Technologies of Princeton, New Jersey obtained in or about 2000 (5 color sheets).

* cited by examiner

Primary Examiner—Joel Sincavage

(74) *Attorney, Agent, or Firm*—Foley & Lardner

(57) **CLAIM**

We claim the ornamental design for a adapter system for a battery, substantially as shown and described.

DESCRIPTION

FIG. 1 is a first perspective view of the adapter system for a battery according to an exemplary embodiment.

FIG. 2 is a second perspective view of the adapter system for a battery.

FIG. 3 is a top plan view of the adapter system for a battery.

FIG. 4 is a first side elevation view of the adapter system for a battery.

FIG. 5 is a second side elevation view of the adapter system for a battery.

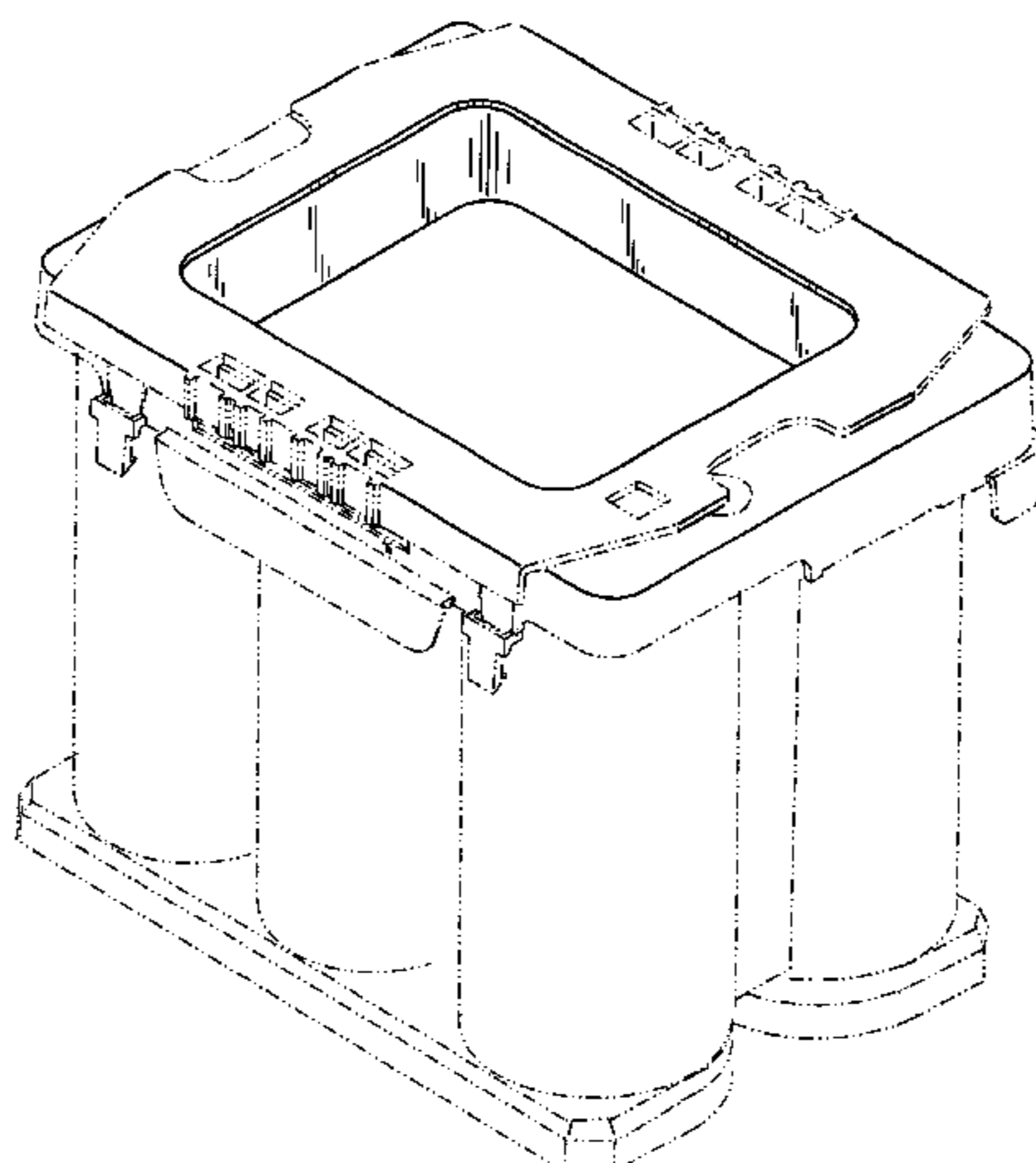
FIG. 6 is a third side elevation view of the adapter system for a battery.

FIG. 7 is a fourth side elevation view of the adapter system for a battery; and,

FIG. 8 is a bottom plan view of the adapter system for a battery.

The broken line disclosure is for illustrative purposes only and forms no part of the claimed design.

1 Claim, 4 Drawing Sheets



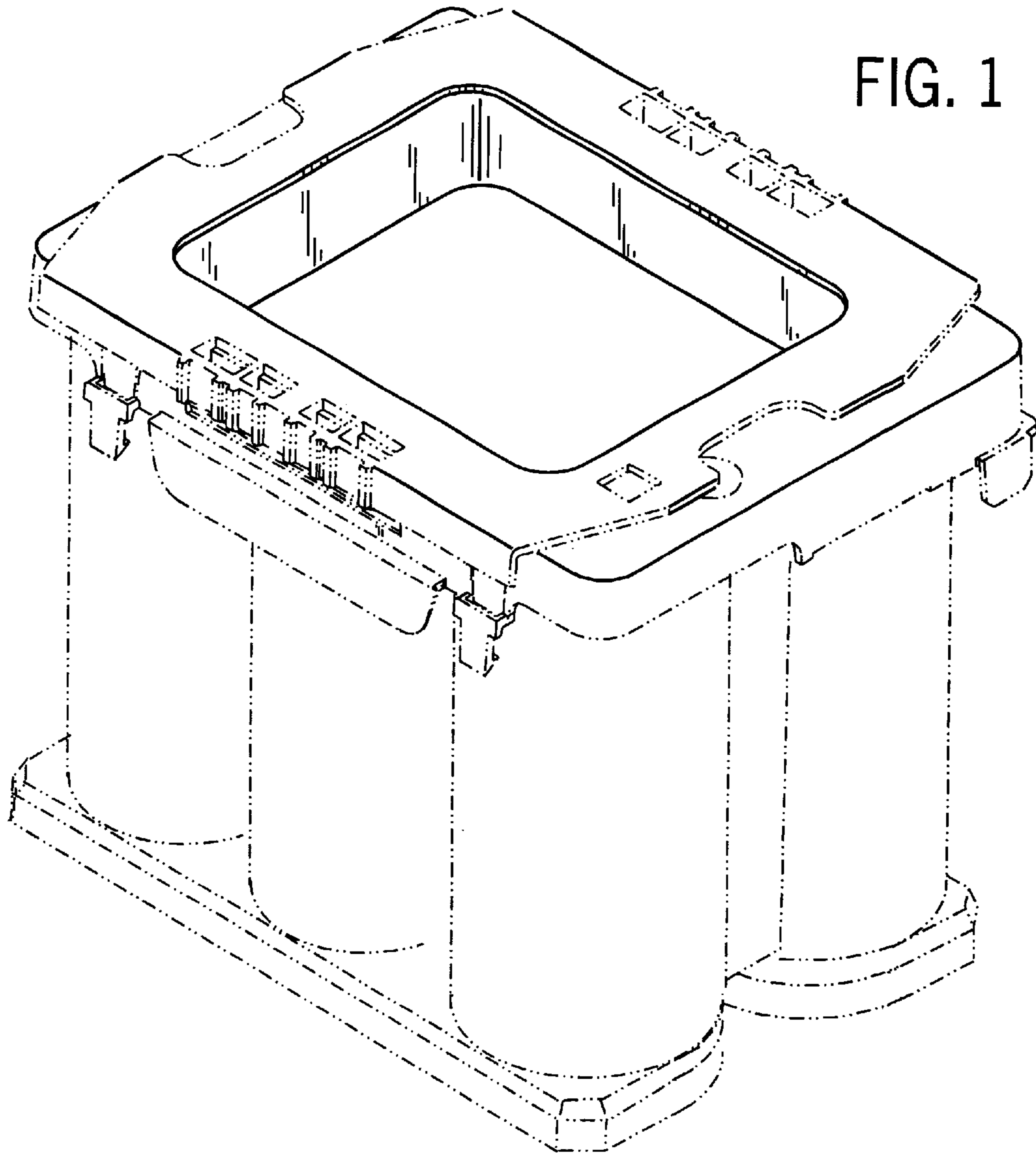


FIG. 2

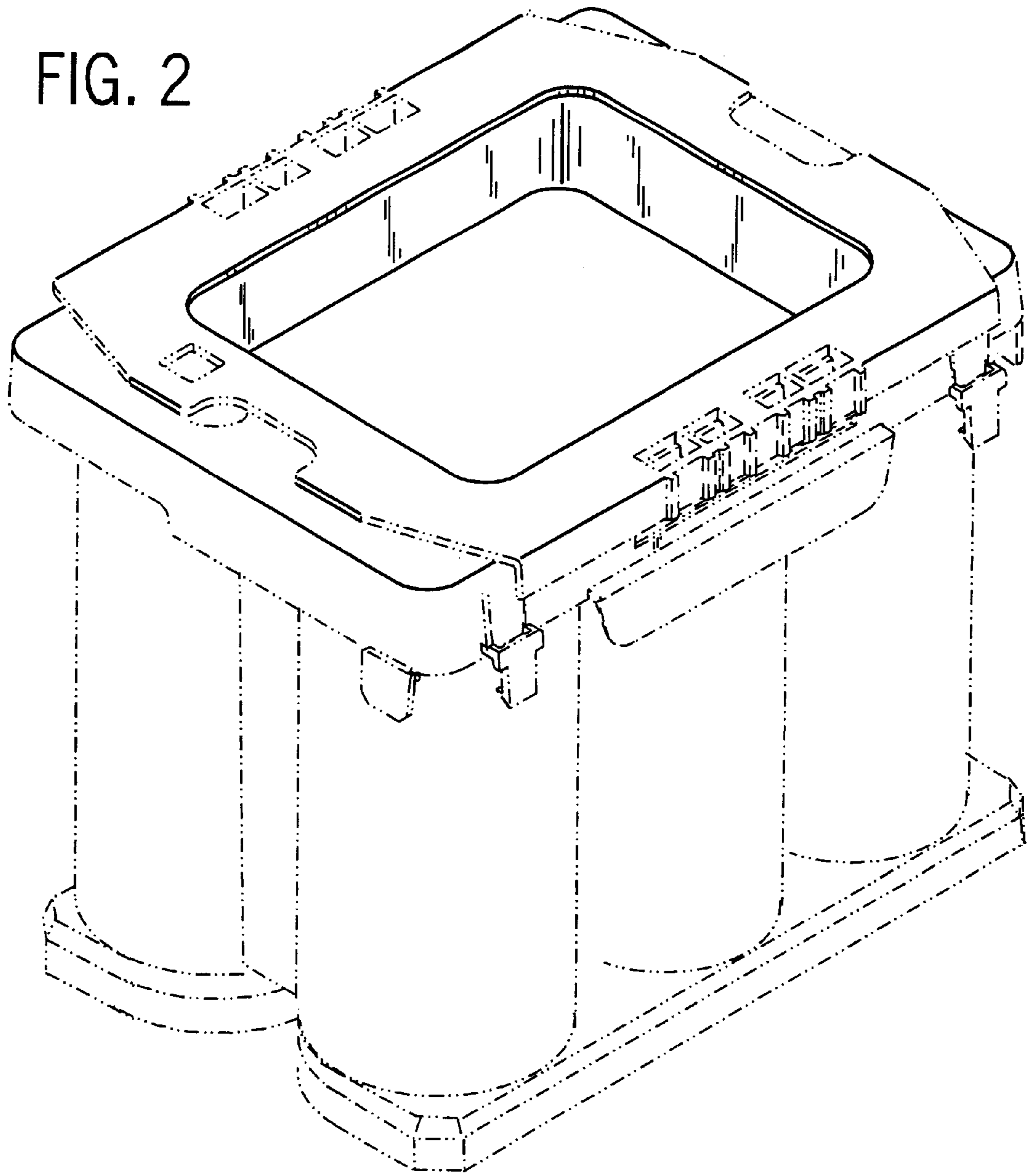


FIG. 3

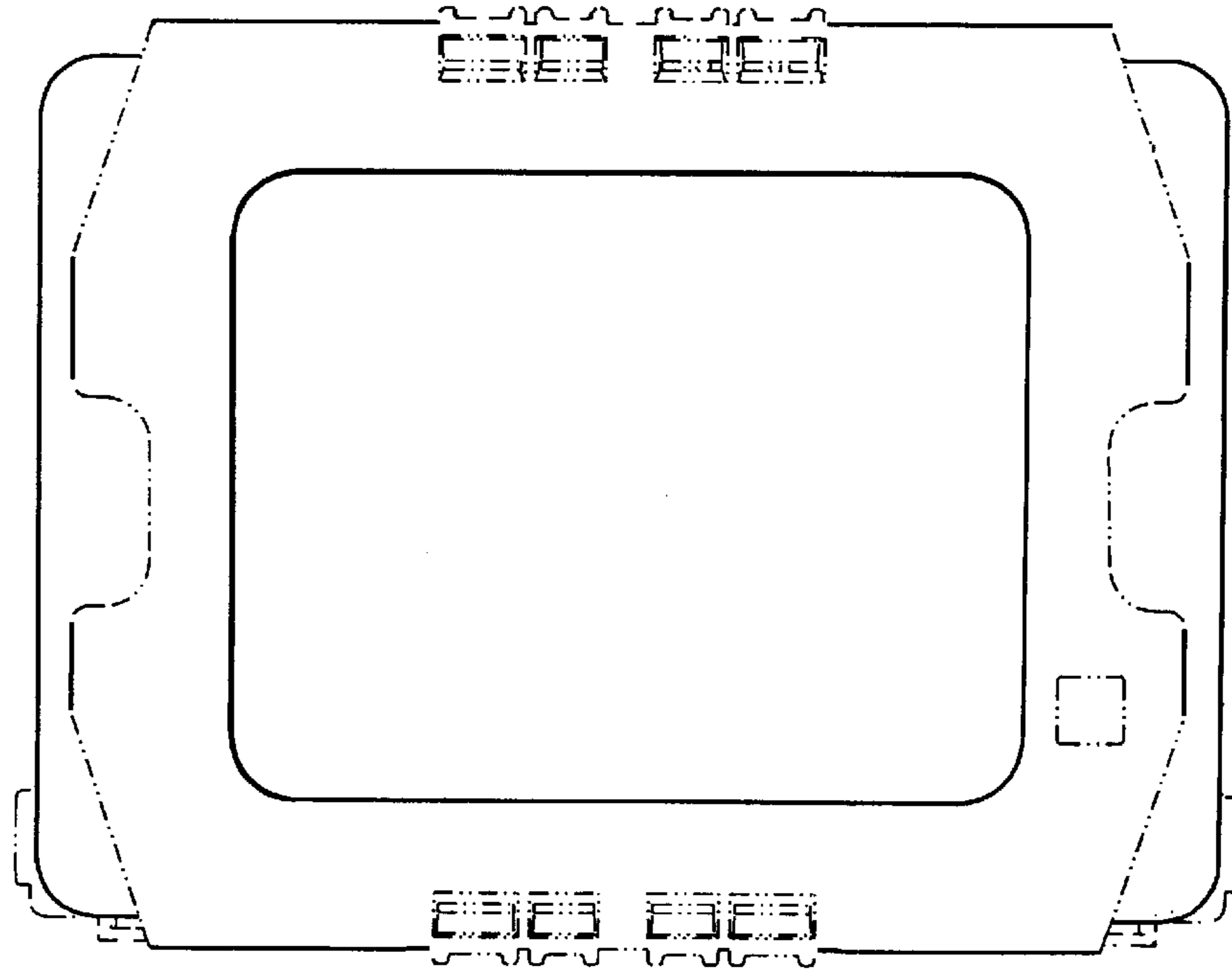


FIG. 4

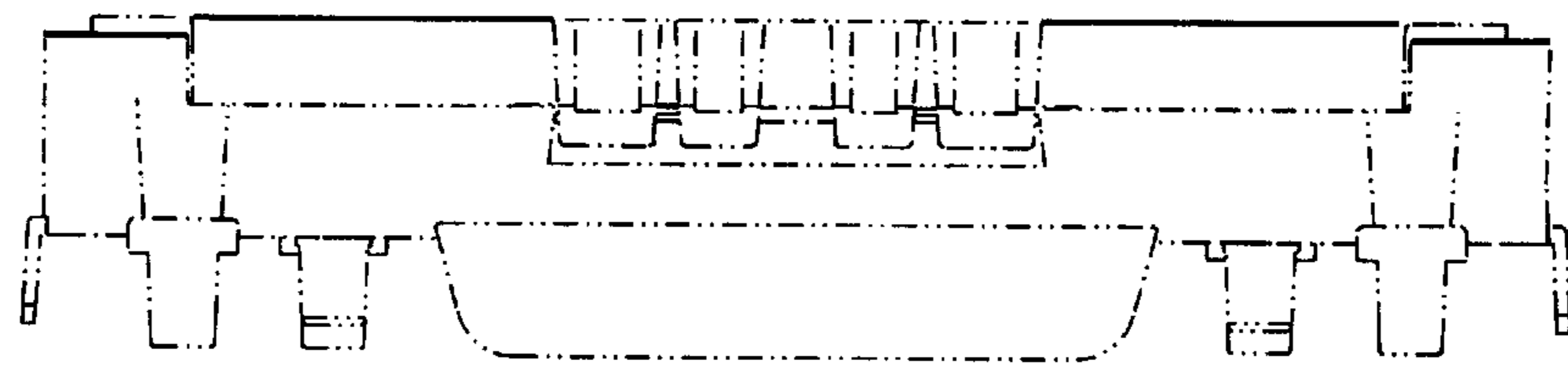


FIG. 5

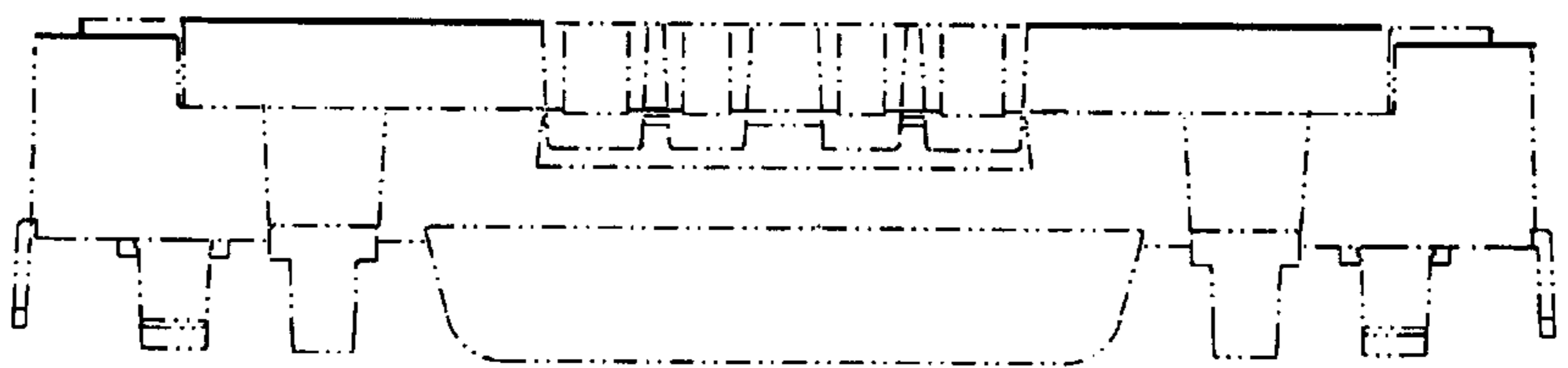


FIG. 6

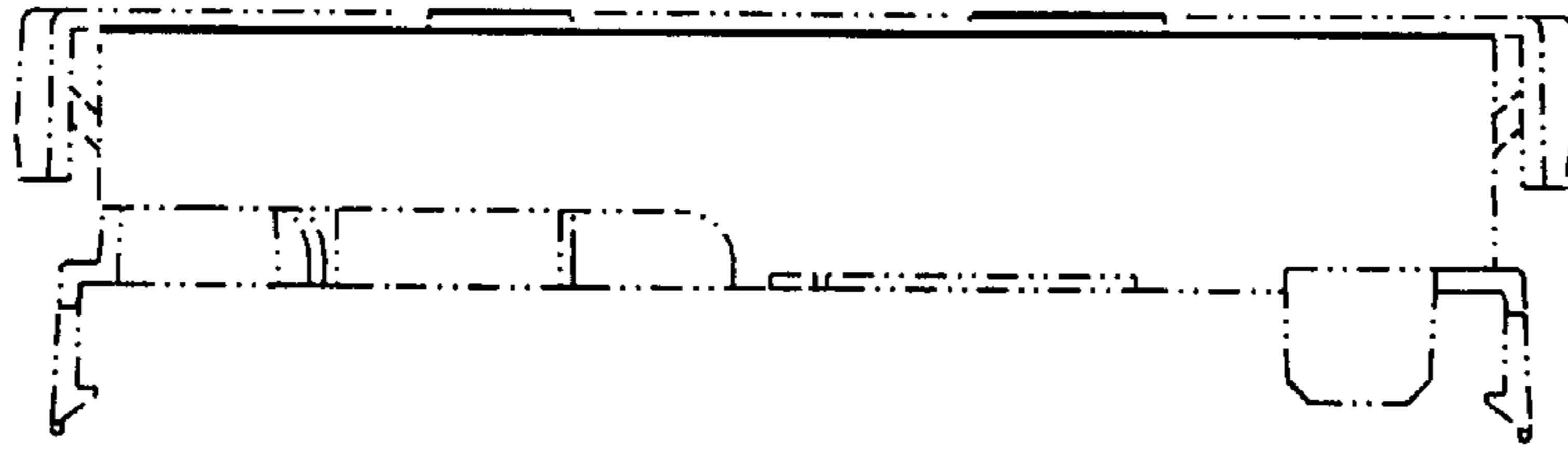


FIG. 7

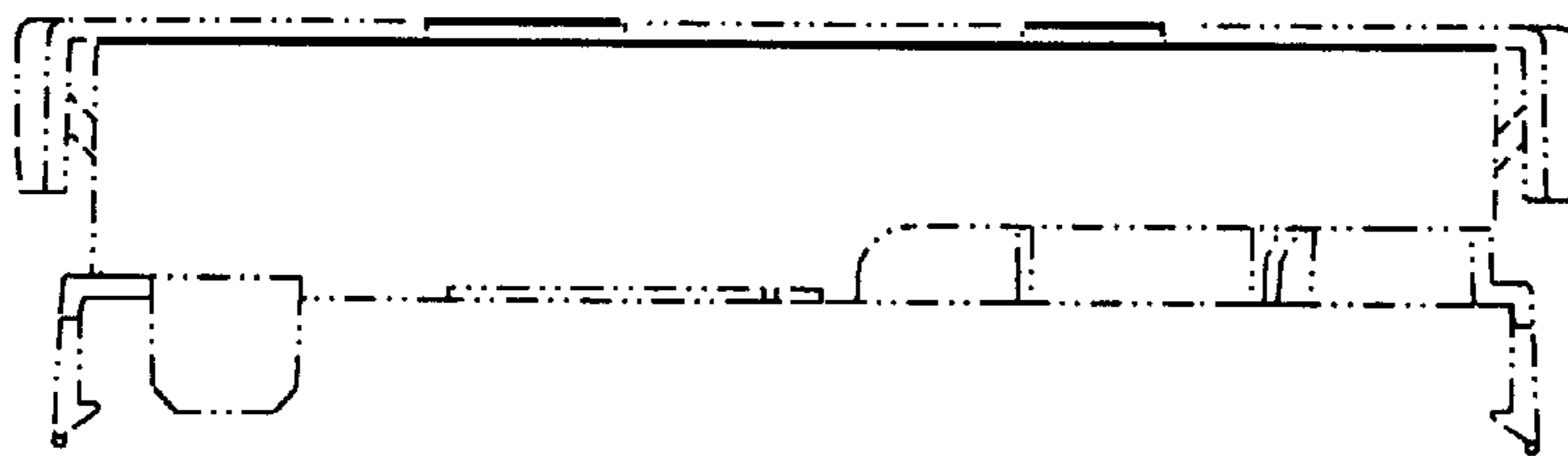


FIG. 8

