



US00D466475S

(12) **United States Design Patent**
Super et al.

(10) **Patent No.:** **US D466,475 S**

(45) **Date of Patent:** **** Dec. 3, 2002**

(54) **BATTERY CHARGER**

Primary Examiner—Joel Sincavage

(75) Inventors: **Orion J. Super**, 400 King's Point Dr.
#1017, Sunny Isles, FL (US) 33178;
Robert Fernandez, 8620 NW. 190 Ter.,
Miami, FL (US) 33015

(57) **CLAIM**

The ornamental design for a battery charger, as shown and described.

(73) Assignees: **Orion J. Super**, Miami, FL (US);
Robert Fernandez, Miami, FL (US)

DESCRIPTION

(**) Term: **14 Years**

FIG. 1 is a front elevation view of all embodiments of a battery charger showing our new design.

(21) Appl. No.: **29/148,735**

FIG. 2 is a top plan view of the first embodiment of the battery charger.

(22) Filed: **Sep. 27, 2001**

FIG. 3 is a right elevation view of the first embodiment of the battery charger, the left elevation view being a mirror image thereof.

(51) **LOC (7) Cl.** **13-02**

FIG. 4 is a rear elevation view of the first embodiment of the battery charger.

(52) **U.S. Cl.** **D13/107**

FIG. 5 is a right elevation view of the second embodiment of the battery charger, the left elevation view being a mirror image thereof.

(58) **Field of Search** D13/107, 108,
D13/110; 320/100–115, 104, 105

FIG. 6 is a top plan view of the second embodiment of the battery charger.

(56) **References Cited**

U.S. PATENT DOCUMENTS

FIG. 7 is a rear elevation view of the second embodiment of the battery charger.

D413,098 S	*	8/1999	Dayan	D13/110
5,982,138 A	*	11/1999	Krieger	320/105
6,002,235 A	*	12/1999	Clore	320/105
D429,482 S	*	8/2000	Hussaini et al.	D13/107
D432,985 S	*	10/2000	Wan	D13/107
6,130,519 A	*	10/2000	Whiting et al.	320/105
6,222,342 B1	*	4/2001	Eggert et al.	320/105
D448,723 S	*	10/2001	Zhu	D13/107
RE37,482 E	*	12/2001	Guay et al.	D13/110
D452,474 S	*	12/2001	Casarella	D13/107
6,356,050 B1	*	3/2002	Hussaini	320/105

FIG. 8 is a right elevation view of the third embodiment of the battery charger, the left elevation view being a mirror image thereof.

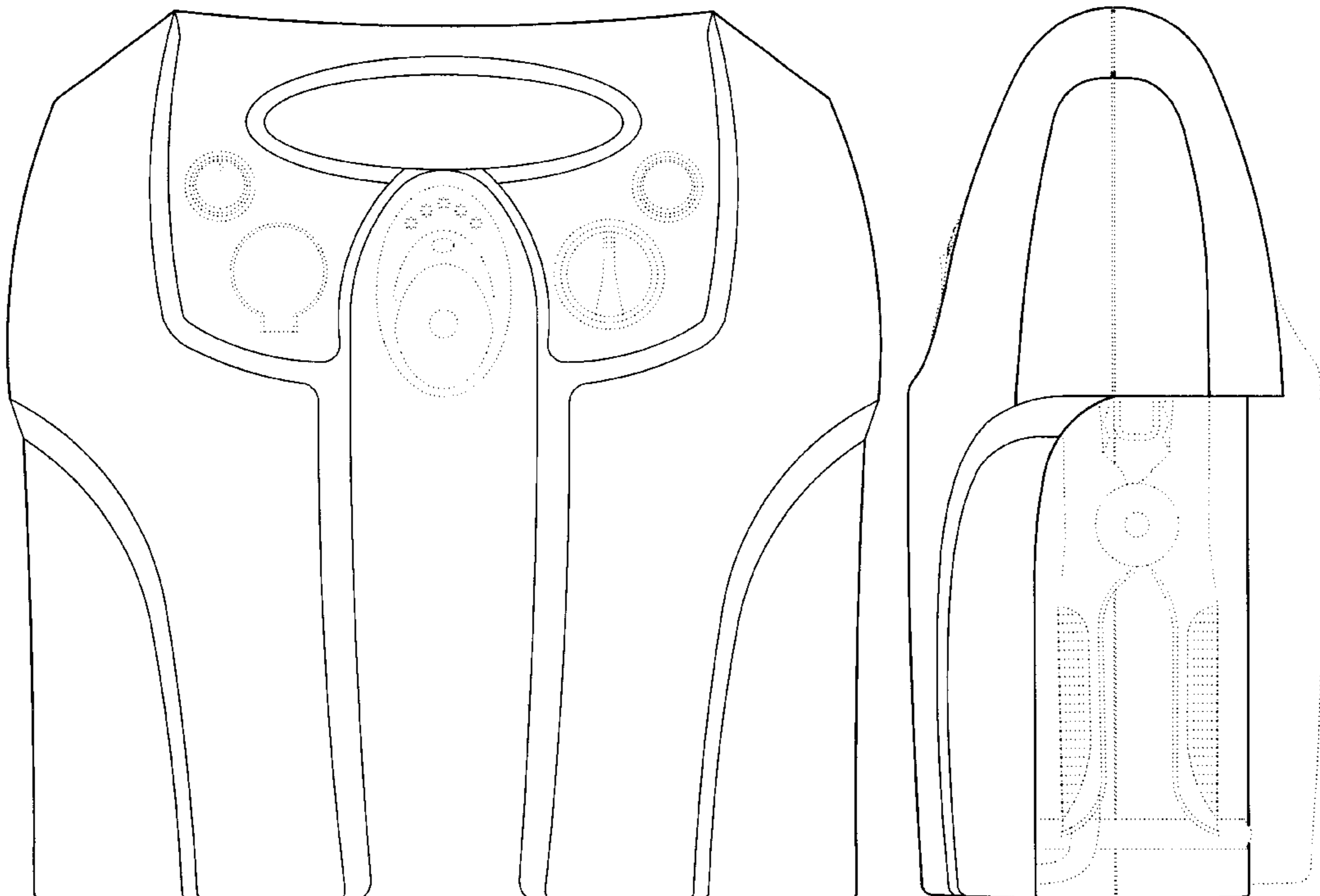
FIG. 9 is a top plan view of the third embodiment of the battery charger; and,

FIG. 10 is a rear elevation view of the third embodiment of the battery charger.

The broken lines are for embodiment purposes only and form no part of the claimed design.

* cited by examiner

1 Claim, 10 Drawing Sheets



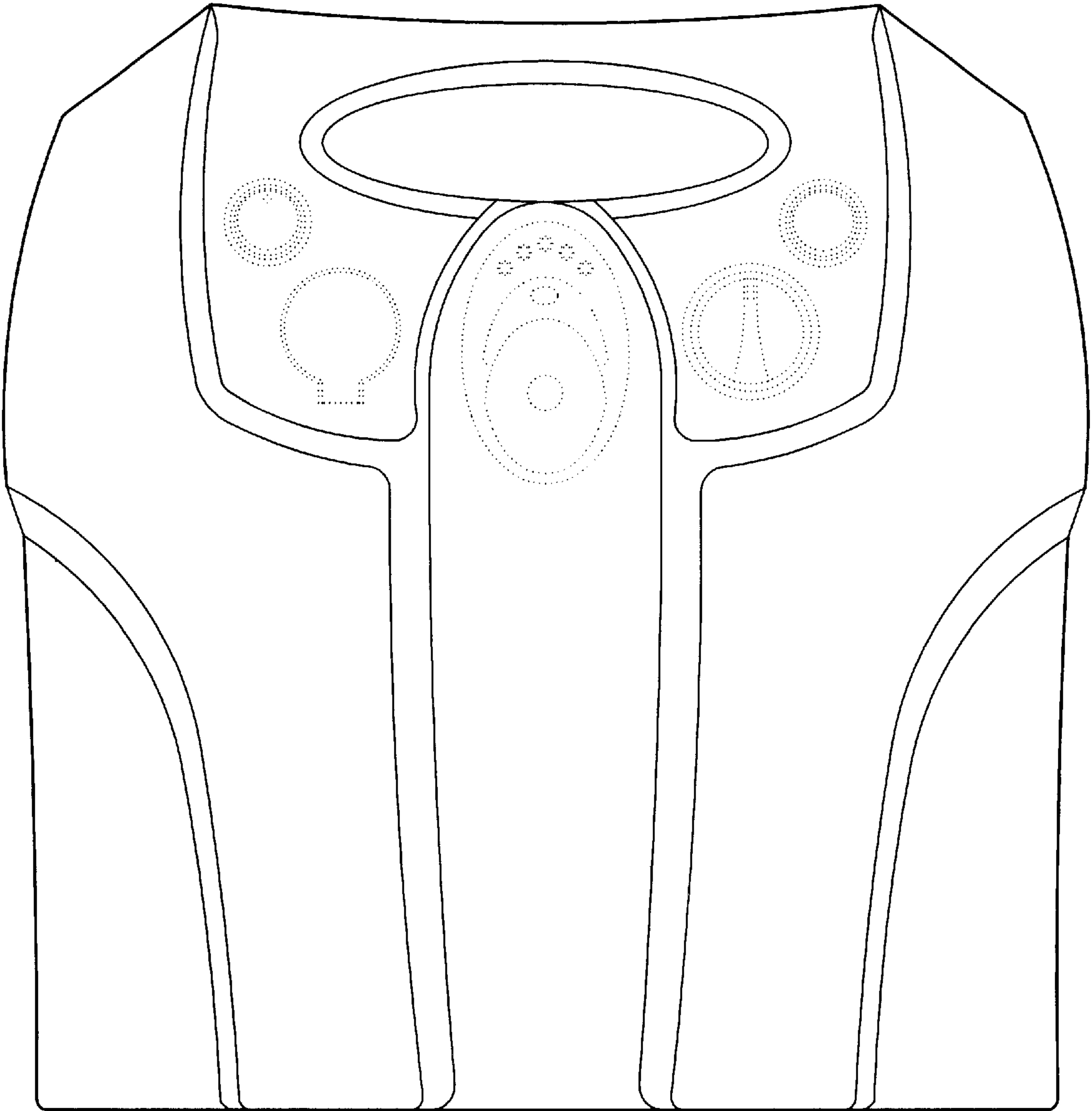


Figure 1

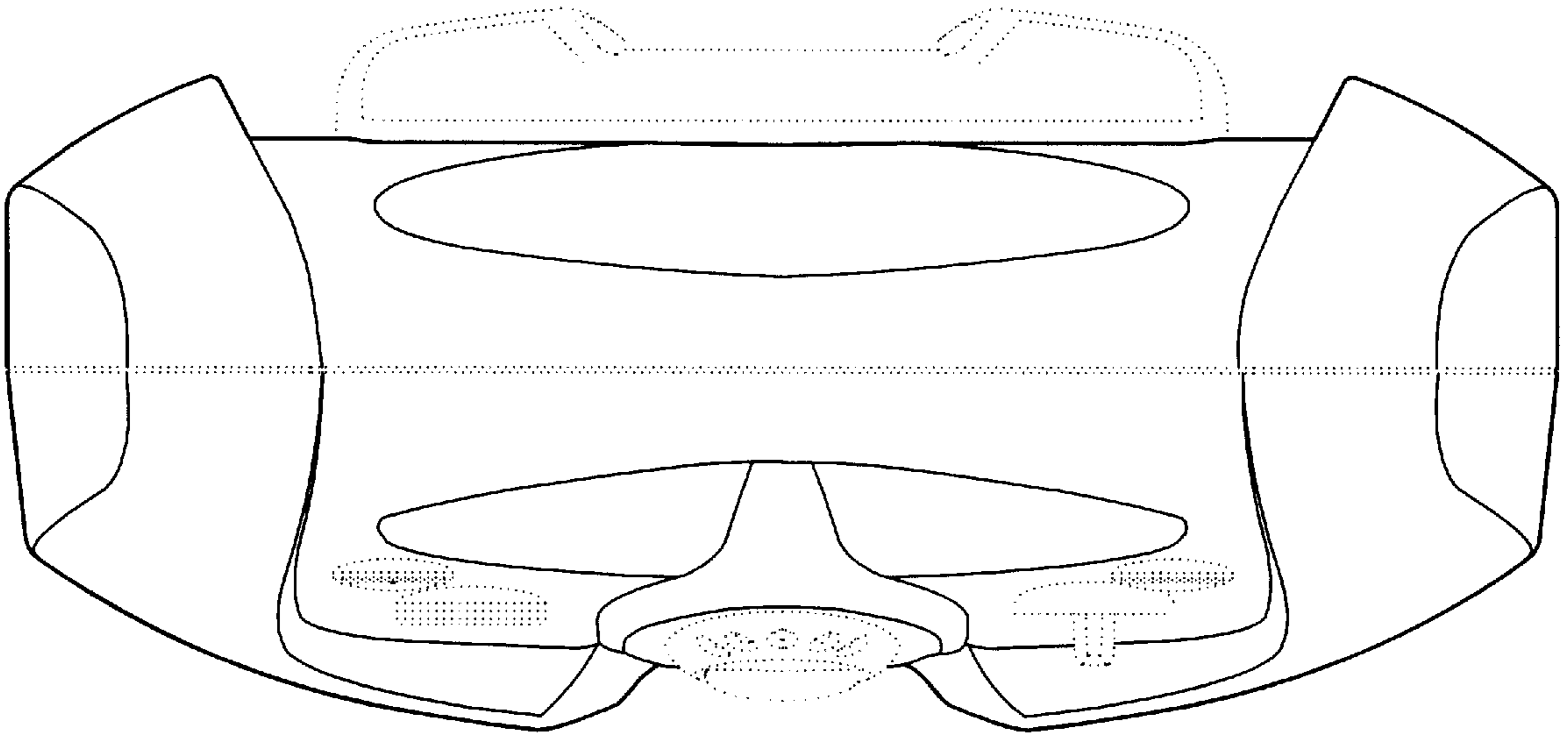


Figure 2

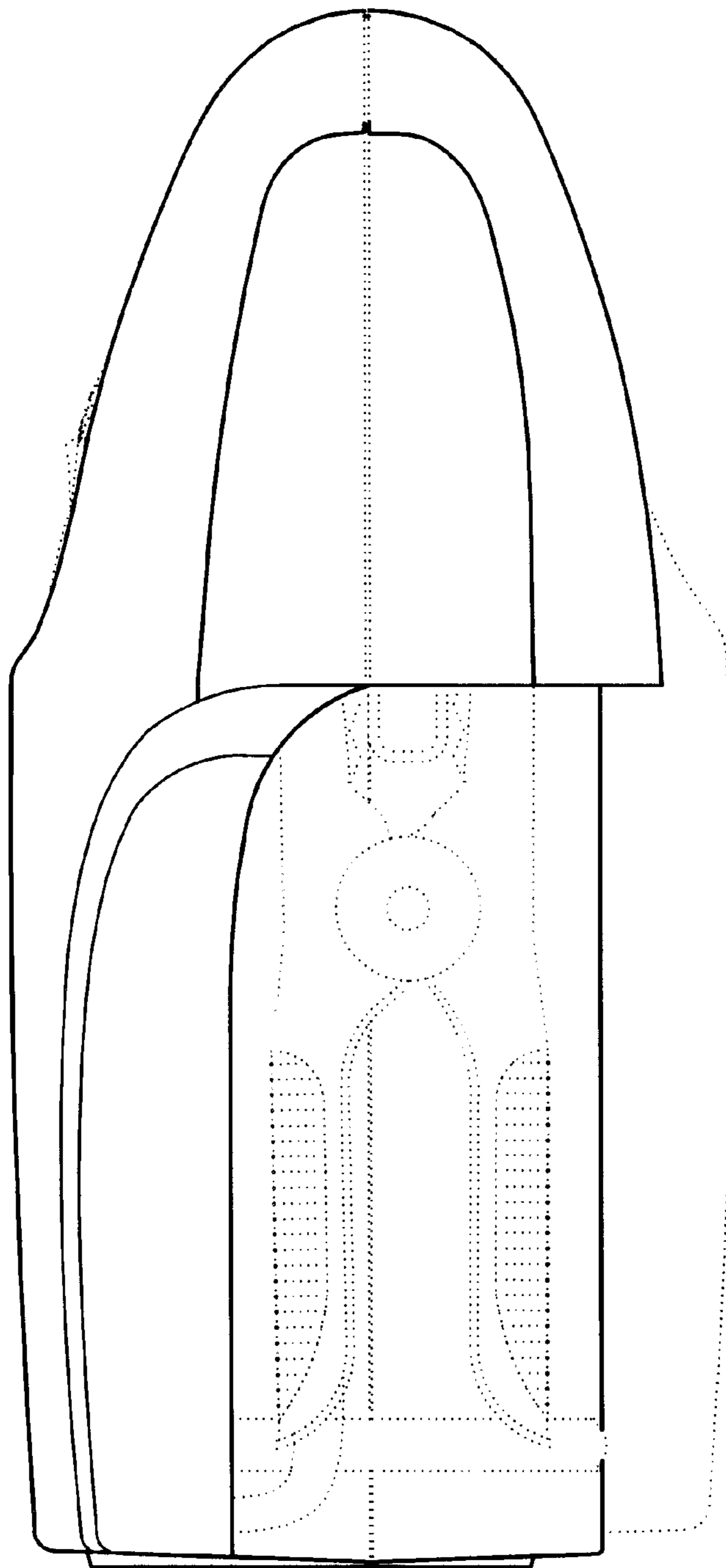


Figure 3

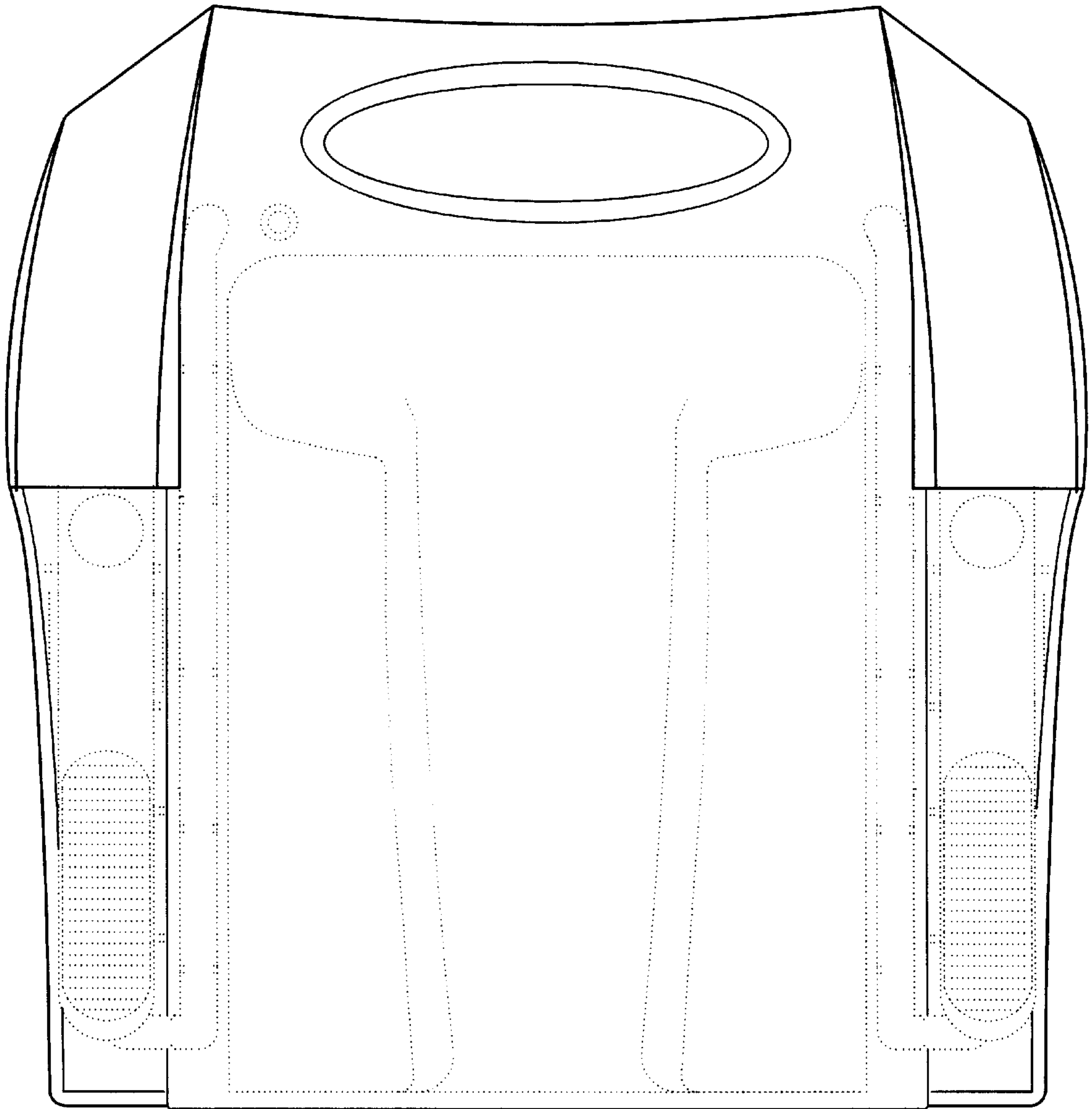


Figure 4

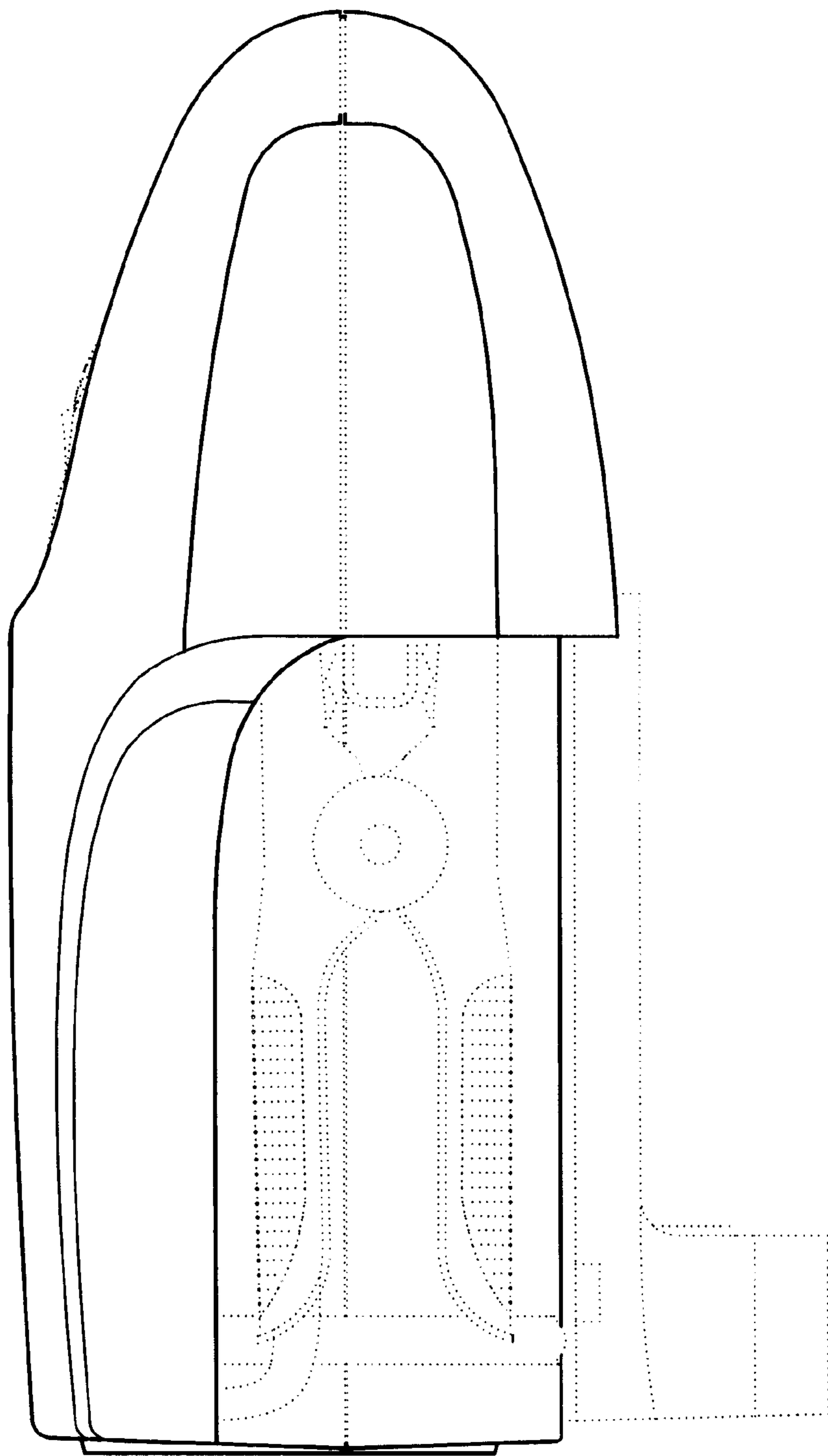


Figure 5

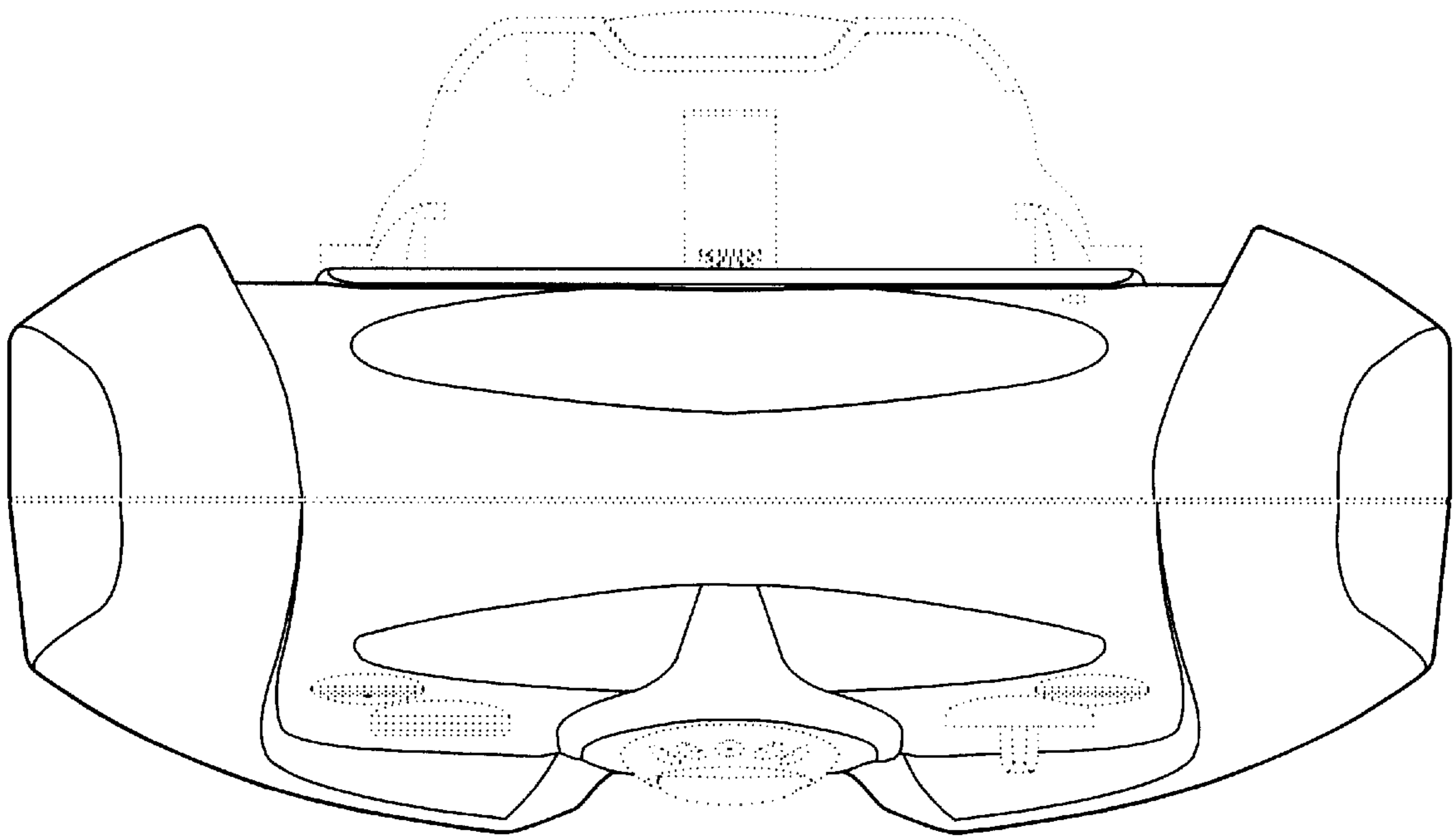


Figure 6

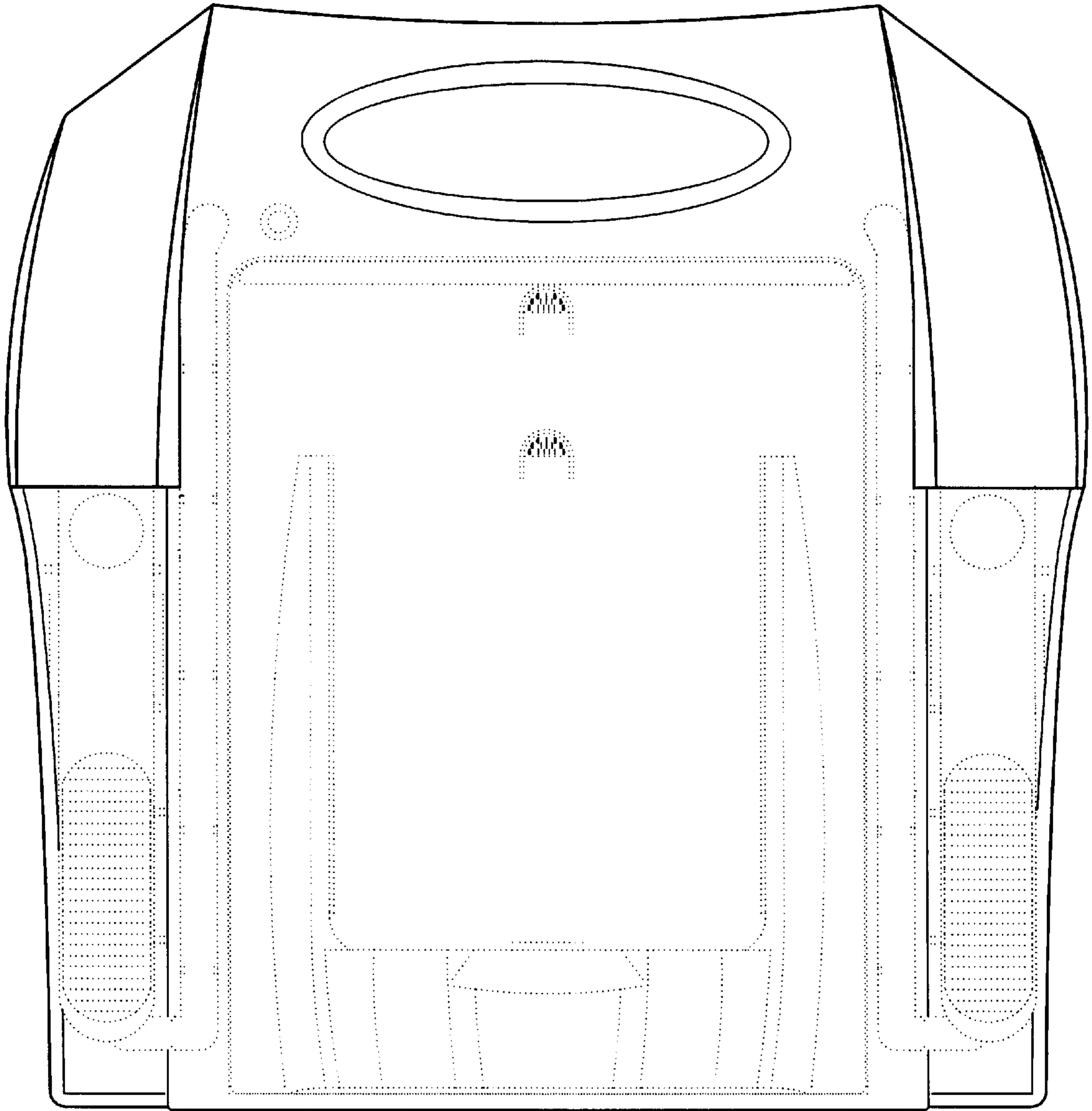


Figure 7

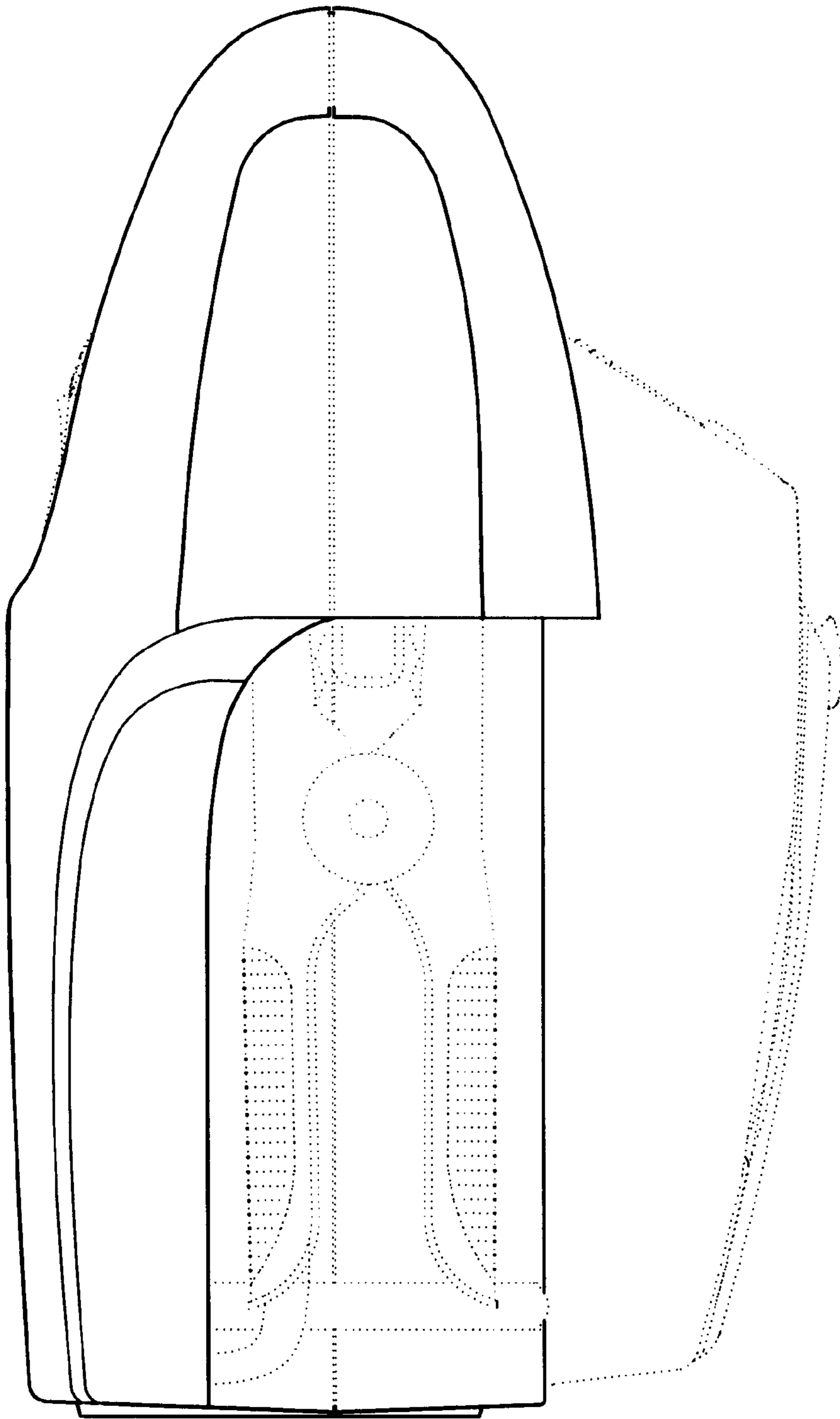


Figure 8

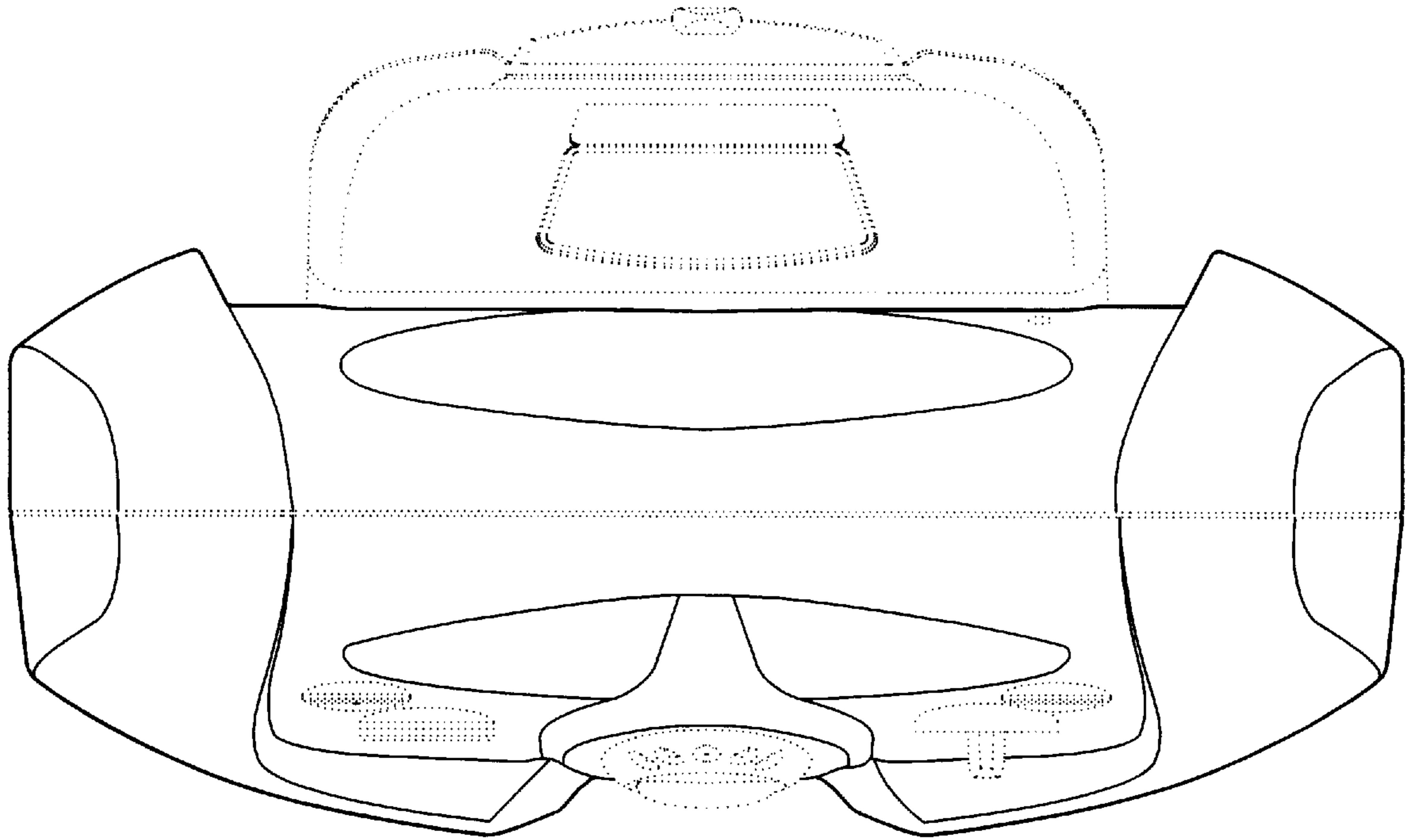


Figure 9

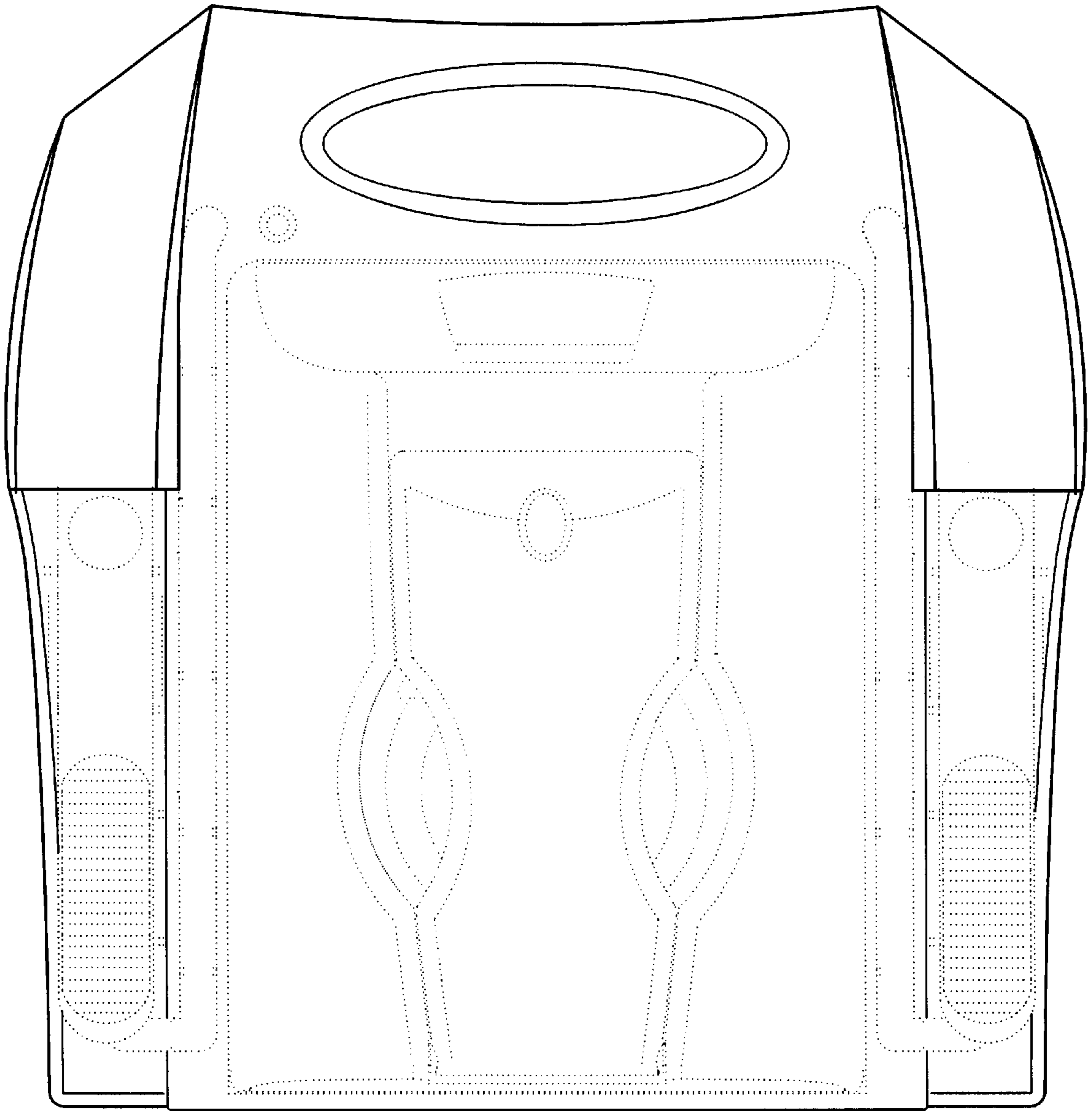


Figure 10