



US00D466471S

(12) **United States Design Patent**  
**Chen**

(10) **Patent No.:** **US D466,471 S**

(45) **Date of Patent:** **\*\* Dec. 3, 2002**

(54) **BIKE BASKET**

(75) Inventor: **Ting-Hsing Chen**, Tainan Hsien (TW)

(73) Assignee: **Far Great Plastics Industrial Co., Ltd.**, Tainan Hsien (TW)

(\*\*) Term: **14 Years**

(21) Appl. No.: **29/149,719**

(22) Filed: **Oct. 17, 2001**

(51) **LOC (7) Cl.** ..... **12-16**

(52) **U.S. Cl.** ..... **D12/407**

(58) **Field of Search** ..... **D12/407, 111;**  
**D3/304; 224/400, 420, 425, 433, 435; D6/510**

(56) **References Cited**

**U.S. PATENT DOCUMENTS**

875,949 A \* 1/1908 Reed ..... 224/418  
D126,564 S \* 4/1941 Andrews ..... D12/407

\* cited by examiner

*Primary Examiner*—Alan P. Douglas

*Assistant Examiner*—Linda Brooks

(74) *Attorney, Agent, or Firm*—Rosenberg, Klein & Lee

(57) **CLAIM**

The ornamental design for a bike basket, as shown and described.

**DESCRIPTION**

FIG. 1 is a perspective view of a bike basket showing my present design;

FIG. 2 is a front view thereof;

FIG. 3 is a rear view thereof;

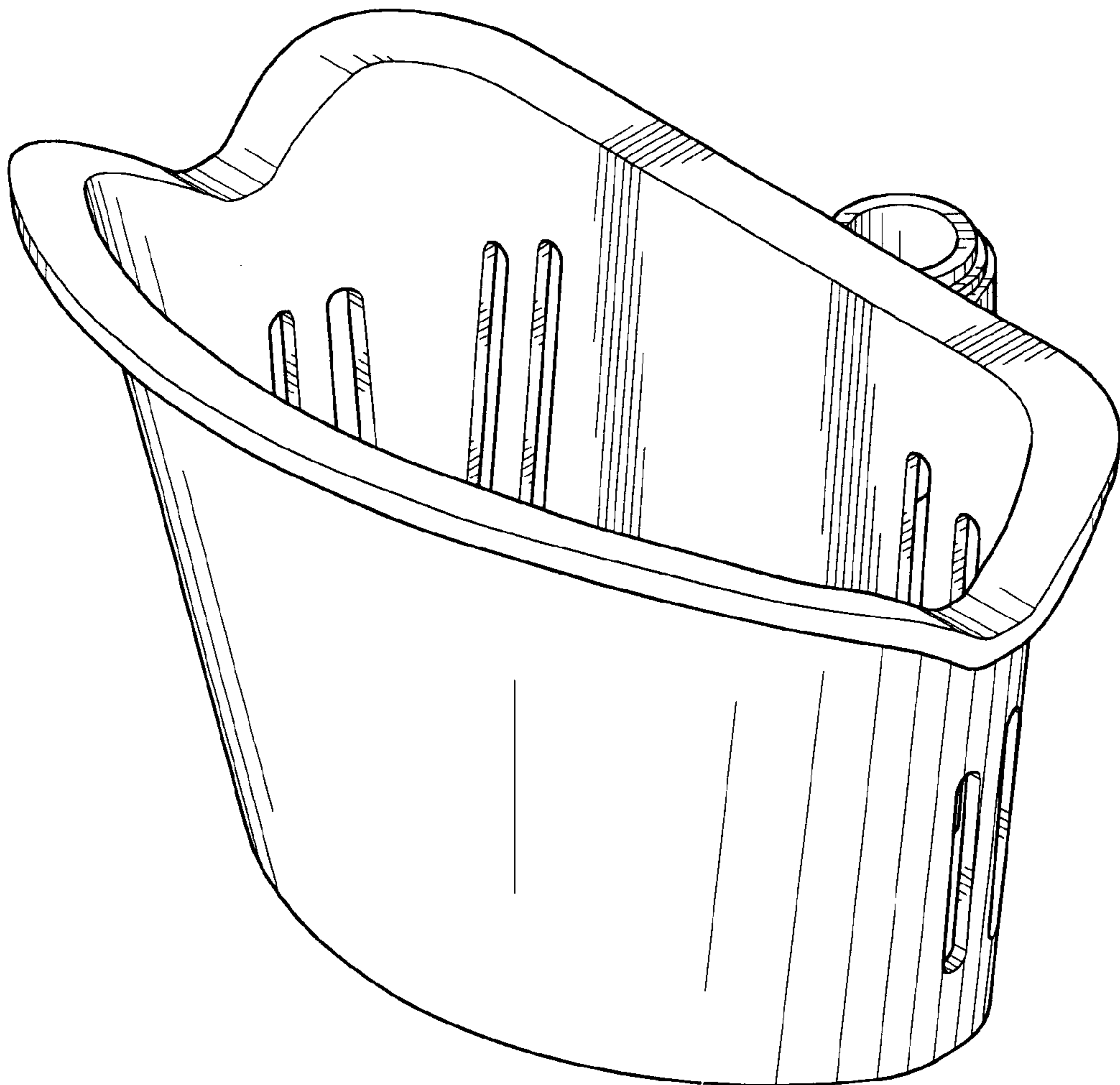
FIG. 4 is a left view thereof;

FIG. 5 is a right view thereof;

FIG. 6 is a top plan view thereof; and,

FIG. 7 is a bottom plan view.

**1 Claim, 7 Drawing Sheets**



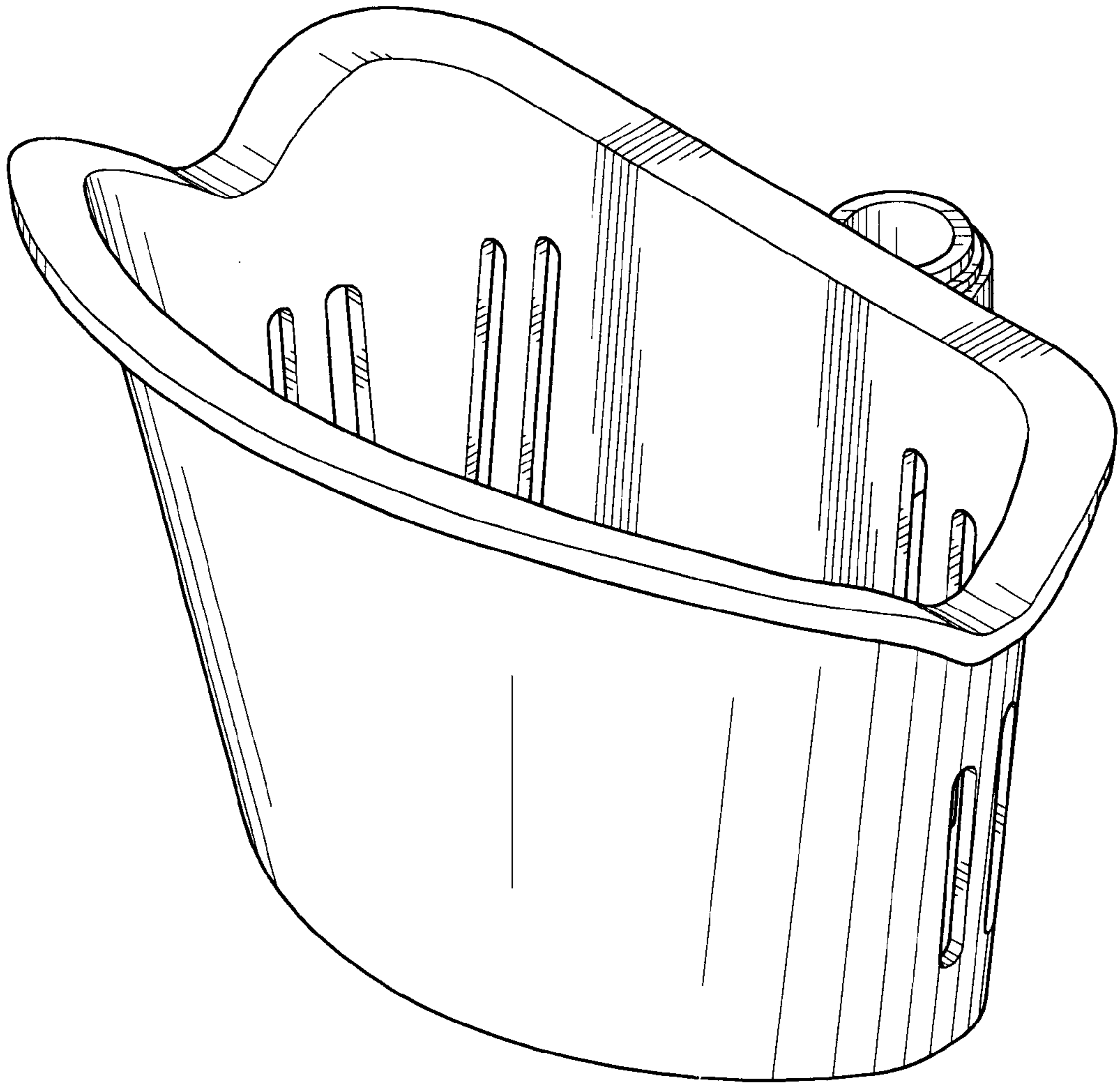


FIG. 1

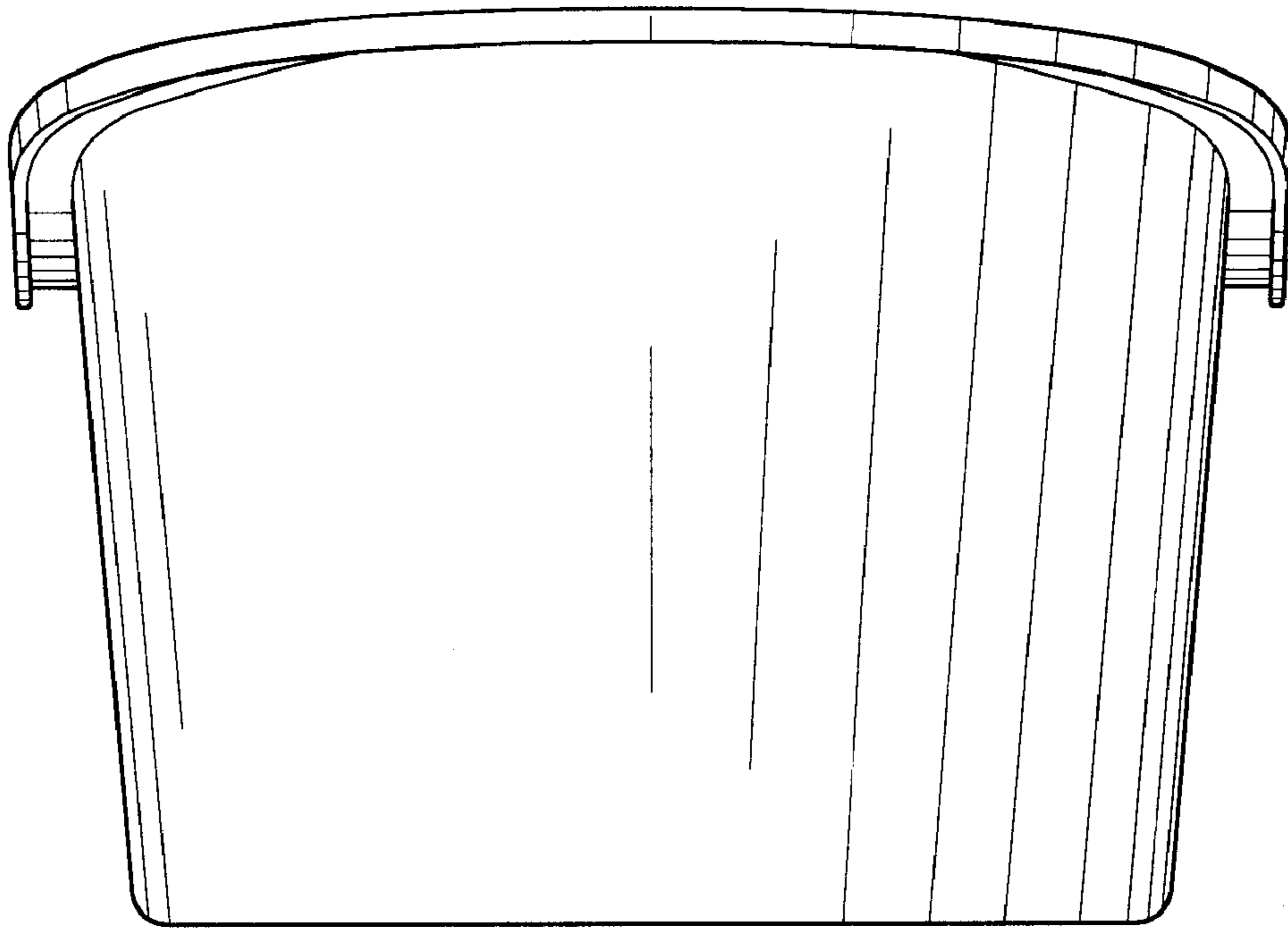


FIG. 2

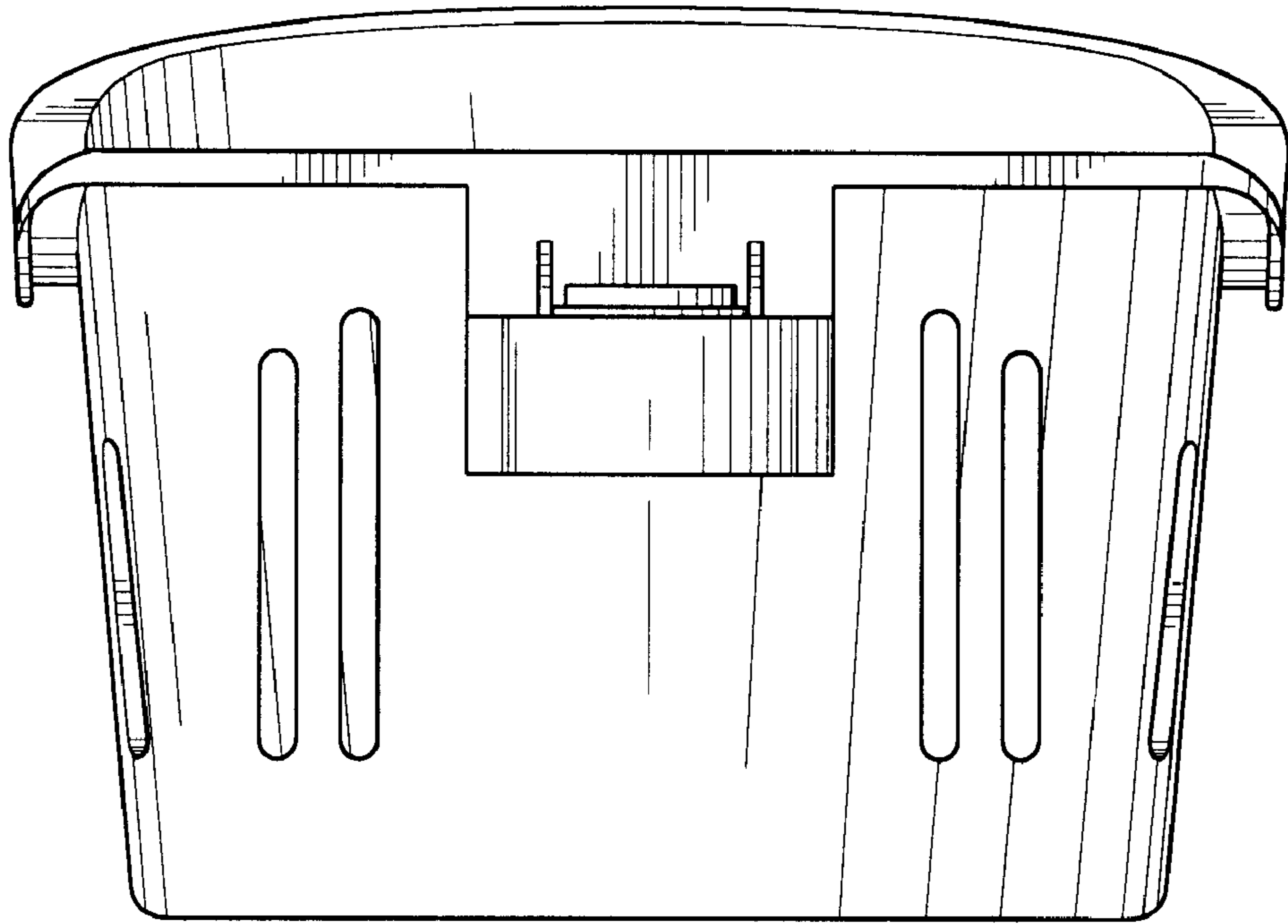


FIG. 3

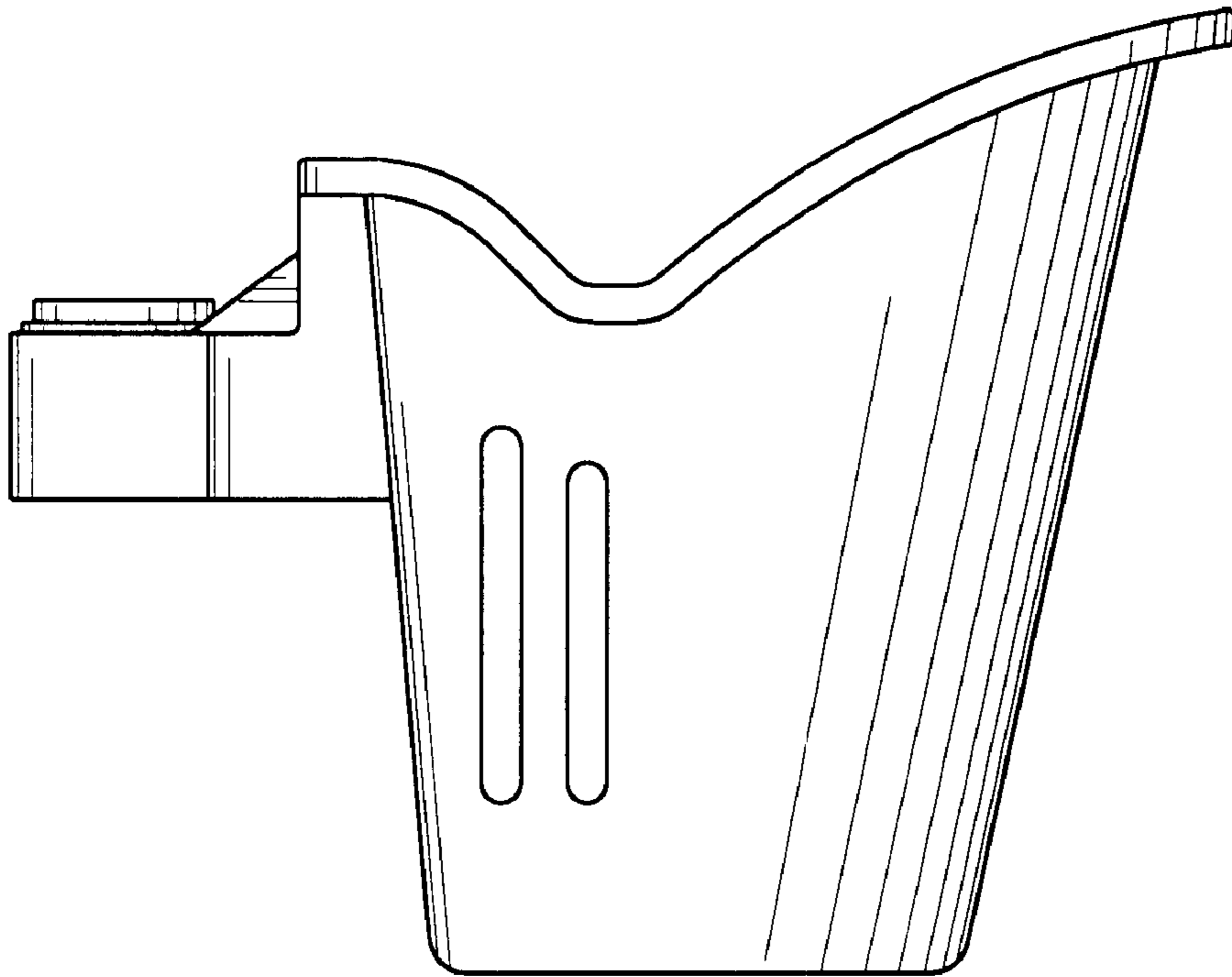


FIG. 4

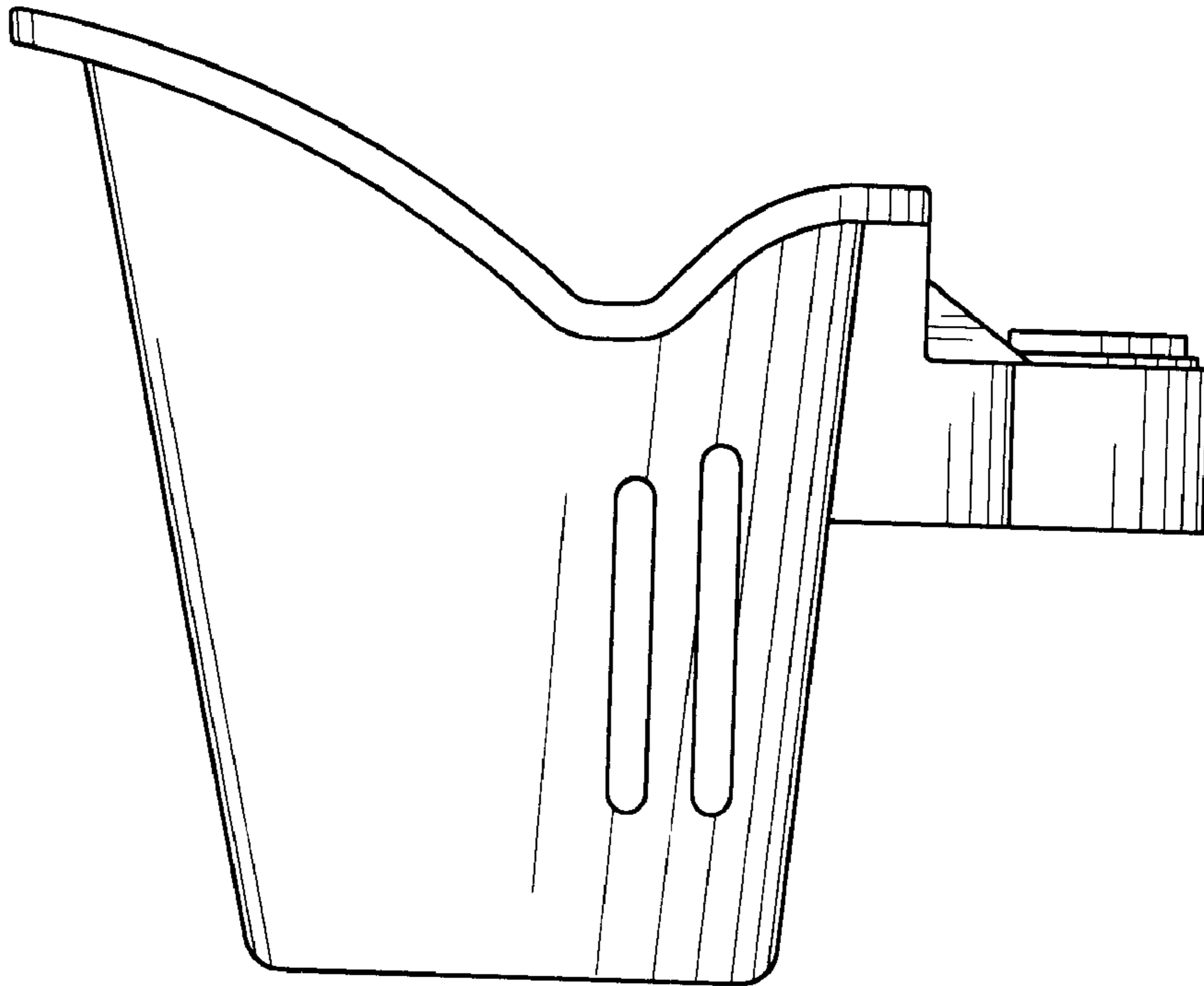


FIG. 5

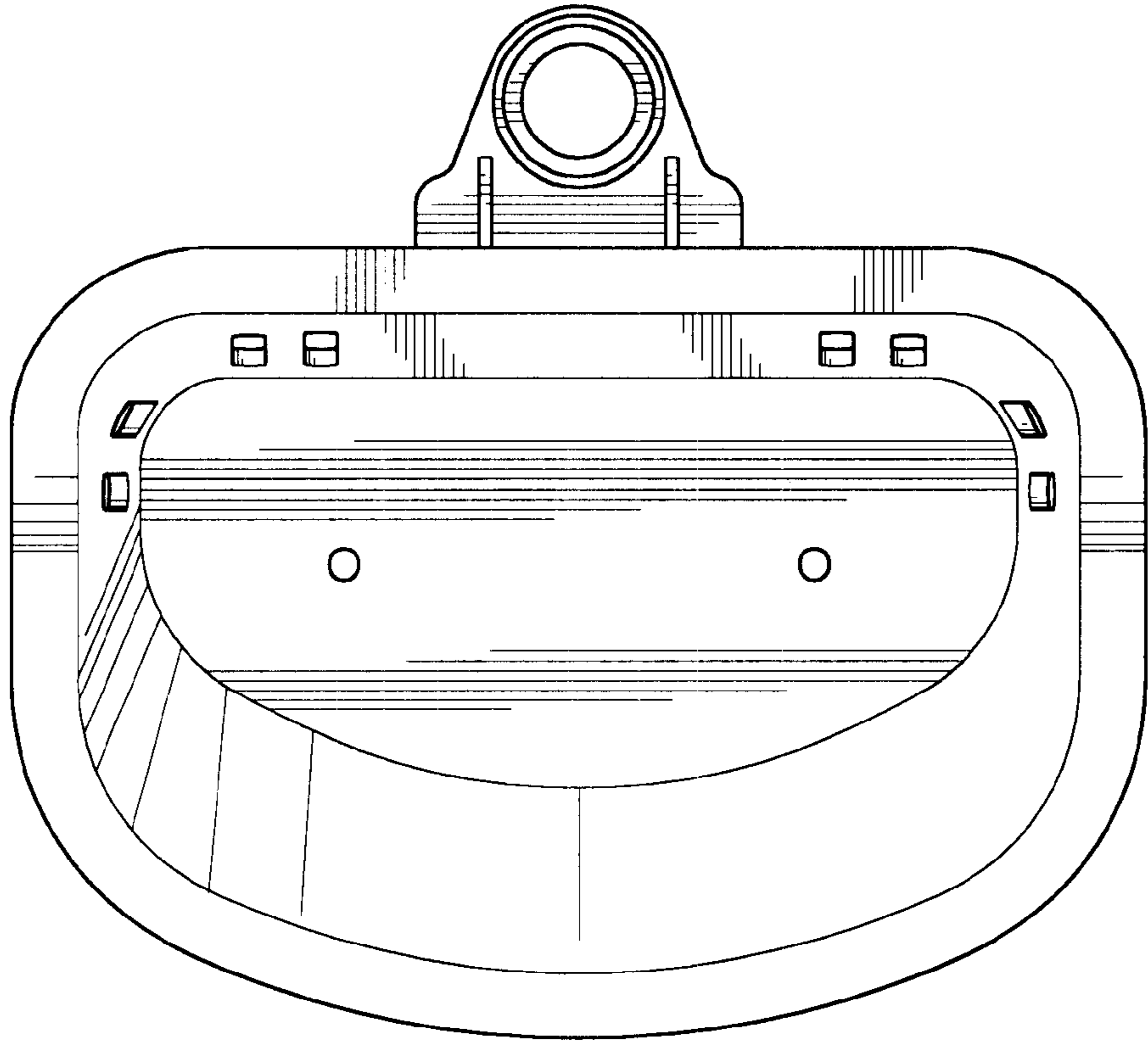


FIG. 6

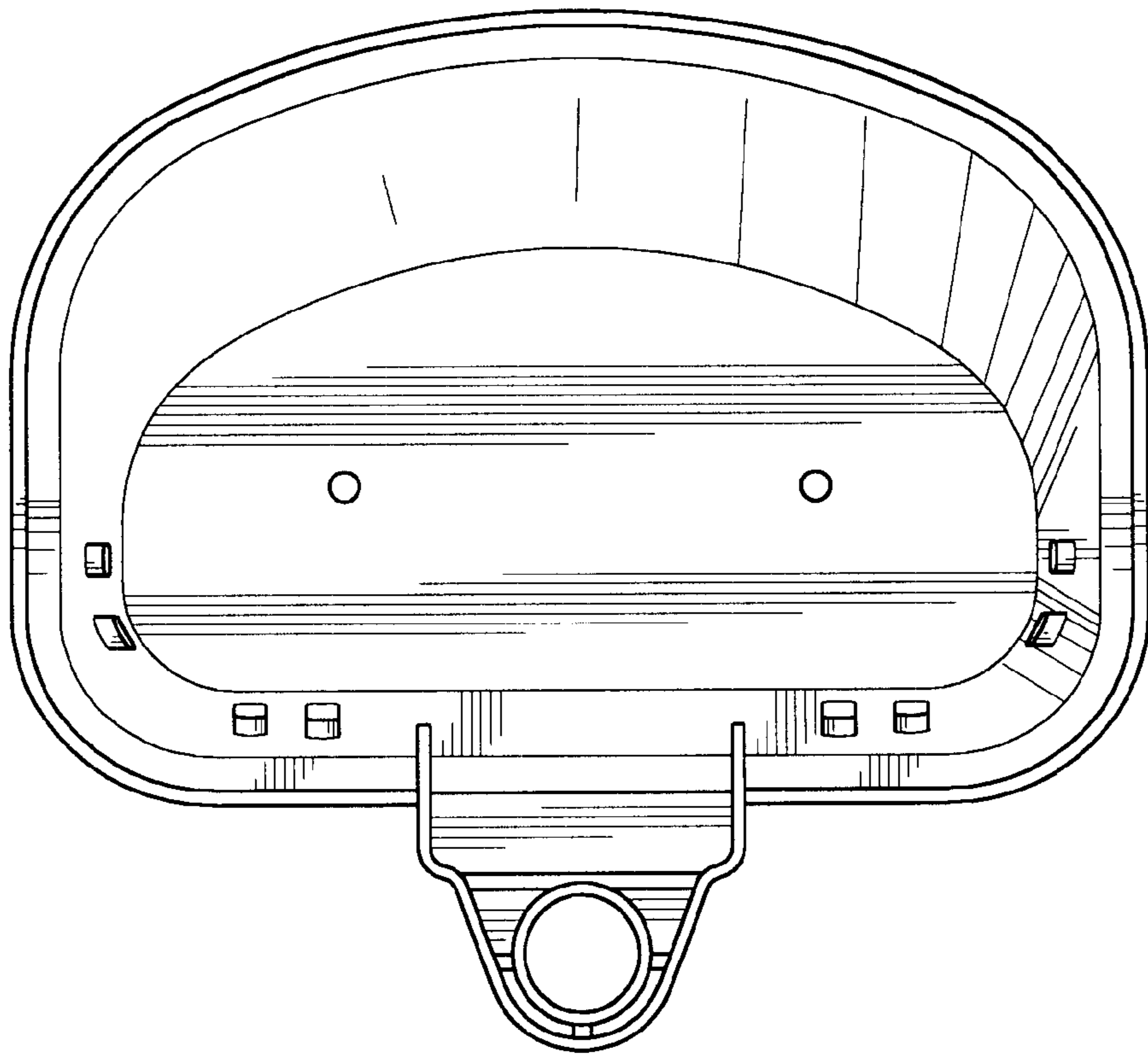


FIG. 7