

US00D466469S

(12) **United States Design Patent**
Nelson, Jr.

(10) **Patent No.:** **US D466,469 S**

(45) **Date of Patent:** **** Dec. 3, 2002**

(54) **SLIDING PICNIC TABLE**

D403,948 S * 1/1999 Pawsat D12/221
D441,340 S * 5/2001 Whiteford D12/221

(76) Inventor: **Doll Nelson, Jr.**, 2140 W. Orange
Grove Ave., Pomona, CA (US)
91768-1126

* cited by examiner

(**) Term: **14 Years**

Primary Examiner—Melody N. Brown
(74) *Attorney, Agent, or Firm*—Donald R. Schoonover

(21) Appl. No.: **29/148,097**

(57) **CLAIM**

(22) Filed: **Sep. 17, 2001**

The ornamental design for a sliding picnic table, as shown and described.

(51) **LOC (7) Cl.** **12-06**

DESCRIPTION

(52) **U.S. Cl.** **D12/221**

FIG. 1 is a perspective view of the sliding picnic table embodying the design of the present invention.

(58) **Field of Search** D12/221, 196;
296/39.1, 39.2, 37.16, 26, 57.1

FIG. 2 is a front elevational view thereof;

FIG. 3 is a rear elevational view thereof;

FIG. 4 is a side elevational view thereof;

FIG. 5 is a top plan view thereof; and,

FIG. 6 is a bottom plan view thereof.

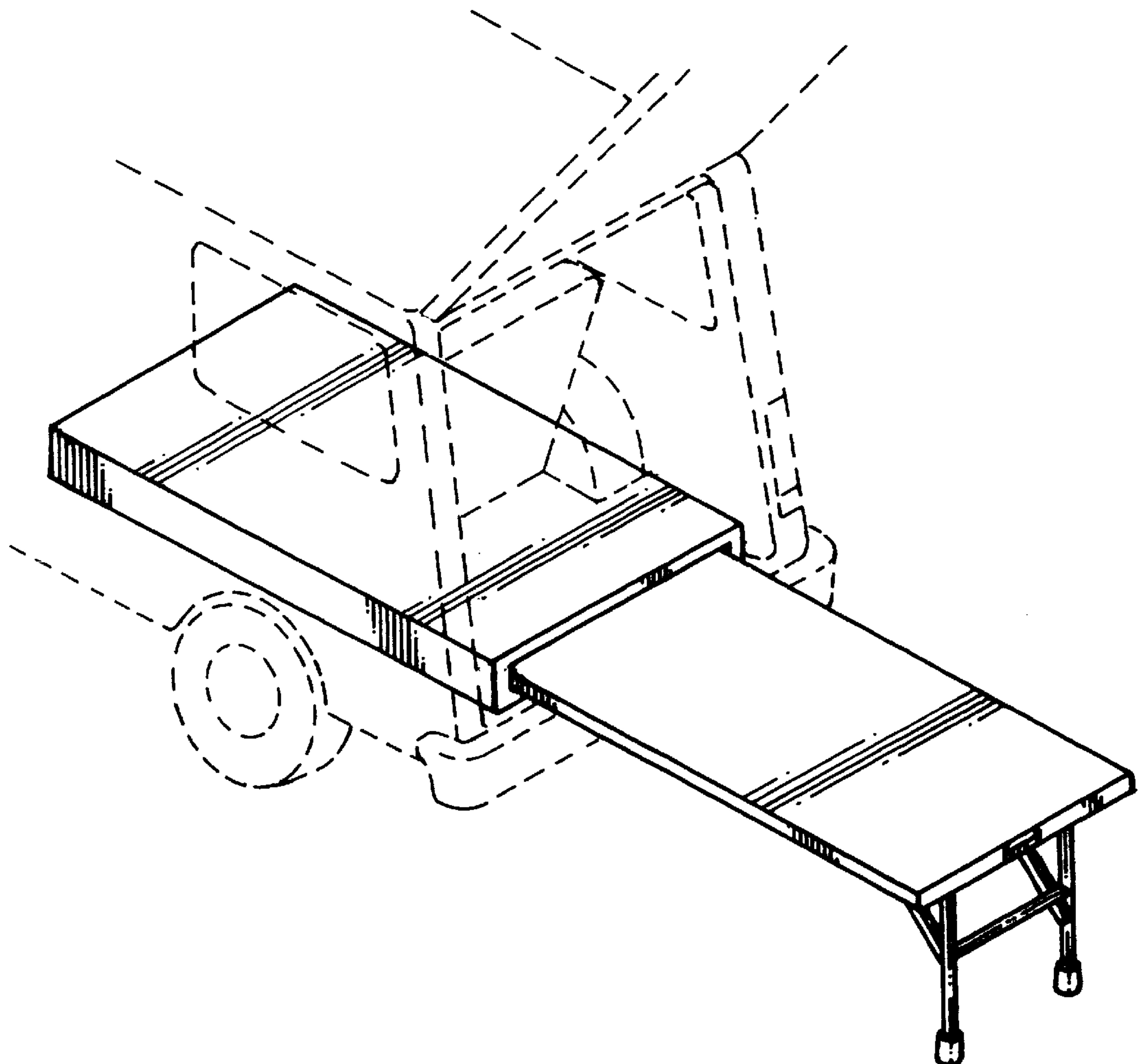
(56) **References Cited**

U.S. PATENT DOCUMENTS

The broken line showing of environment is for illustrative purposes only and forms no part of the claimed design.

2,718,445 A	9/1955	Wilson	
4,455,948 A	6/1984	Torres	
4,915,437 A	4/1990	Cherry	
D359,264 S	* 6/1995	Pilla et al. D12/221

1 Claim, 3 Drawing Sheets



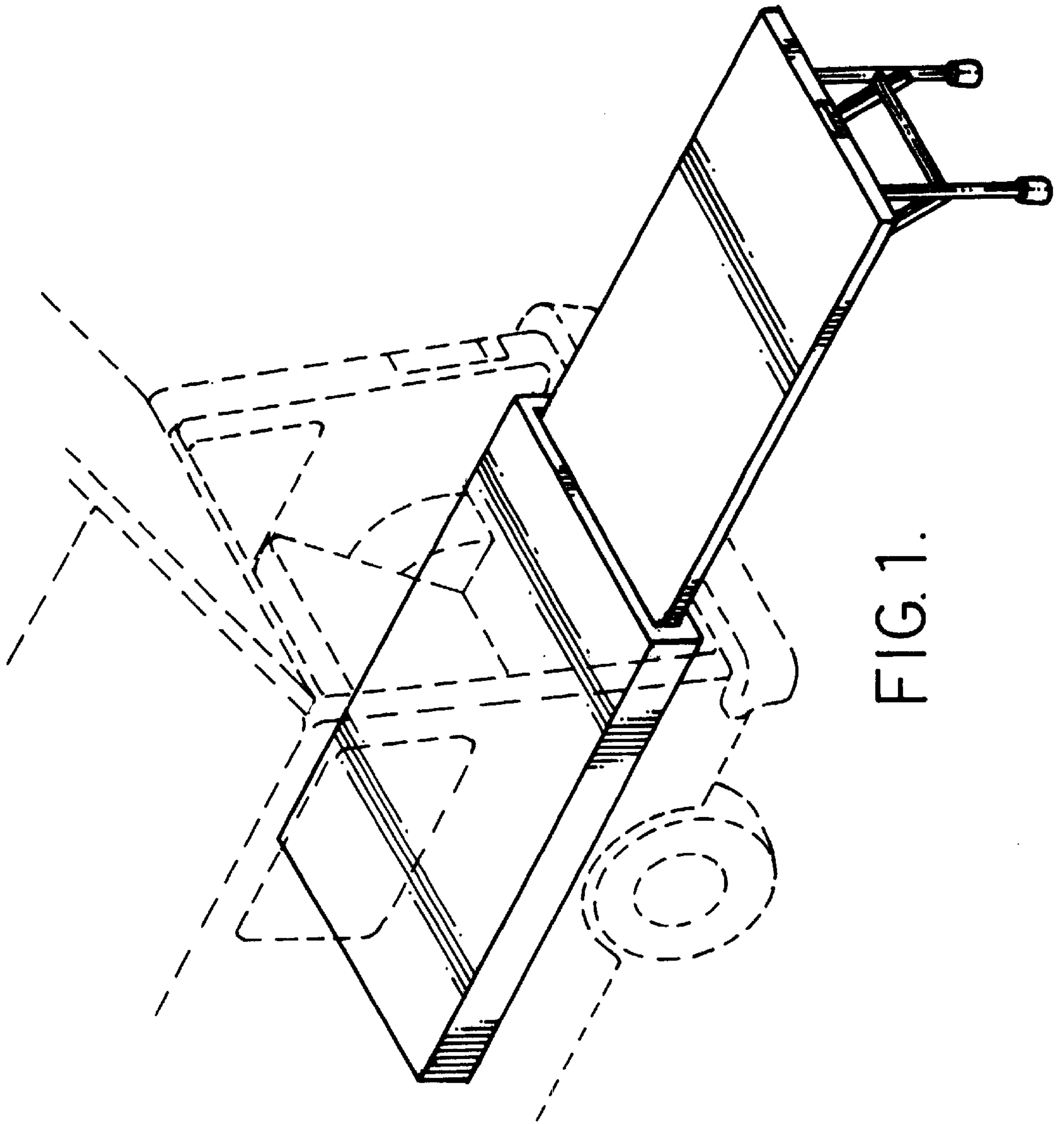


FIG.1.

FIG. 2.

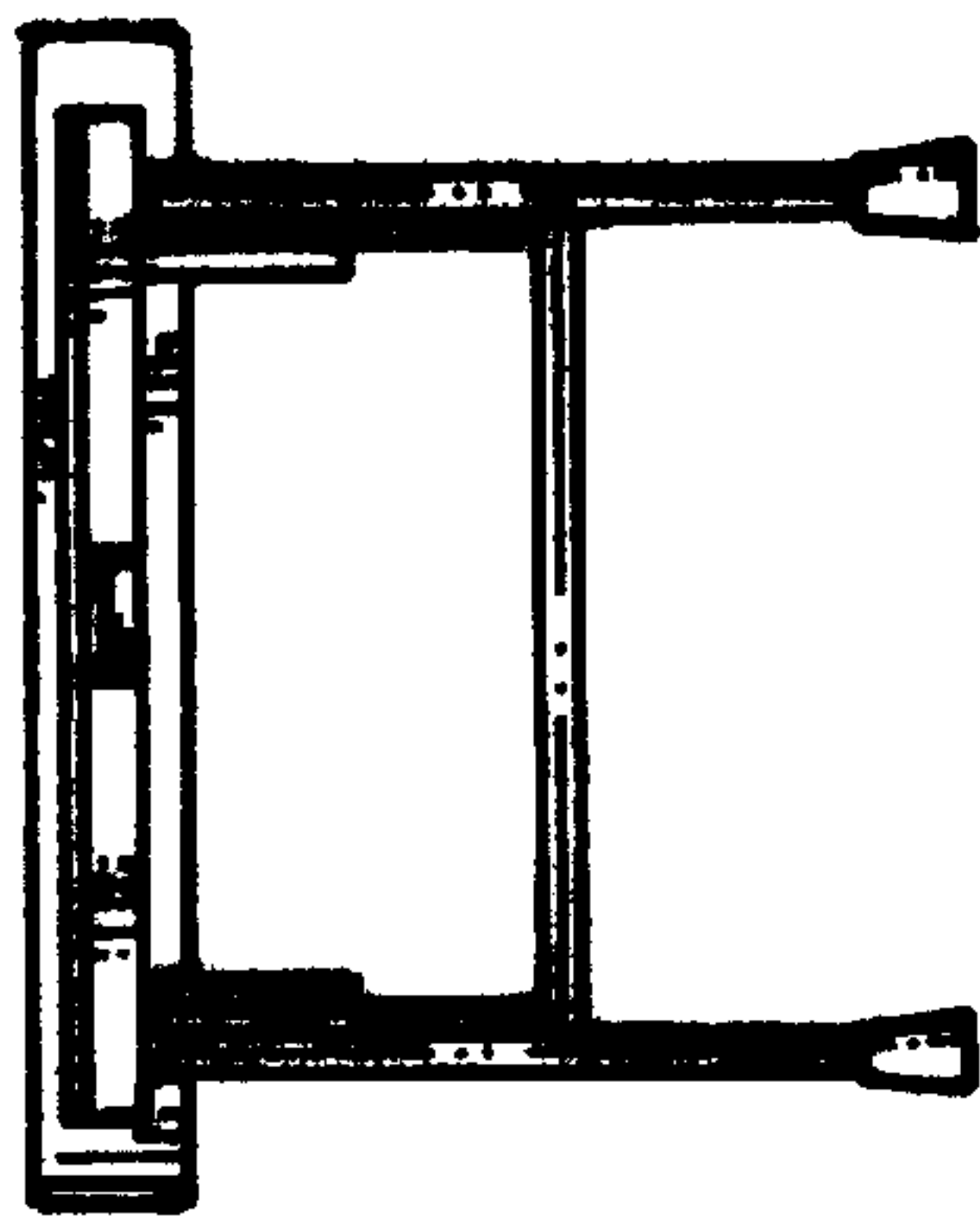


FIG. 3.

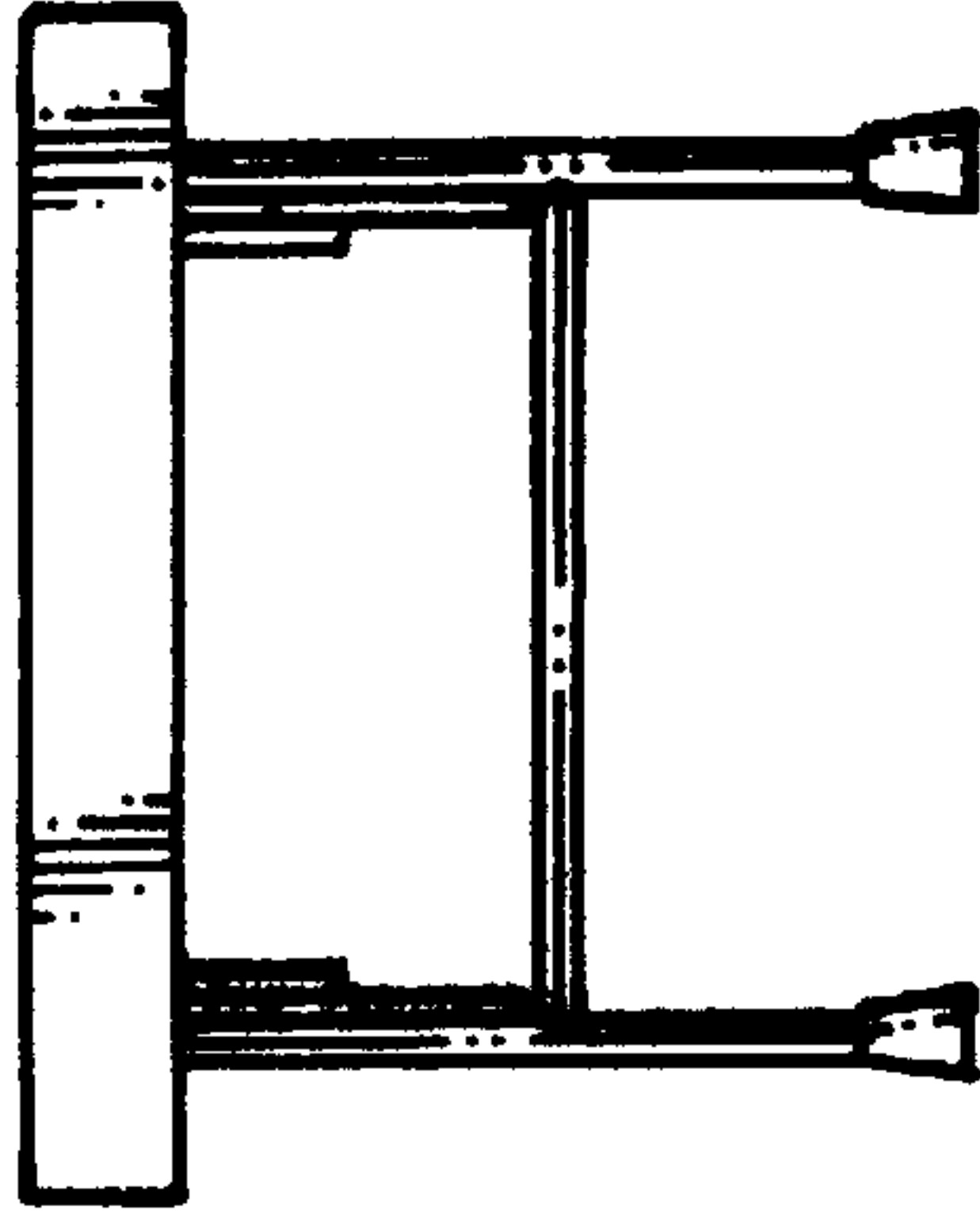
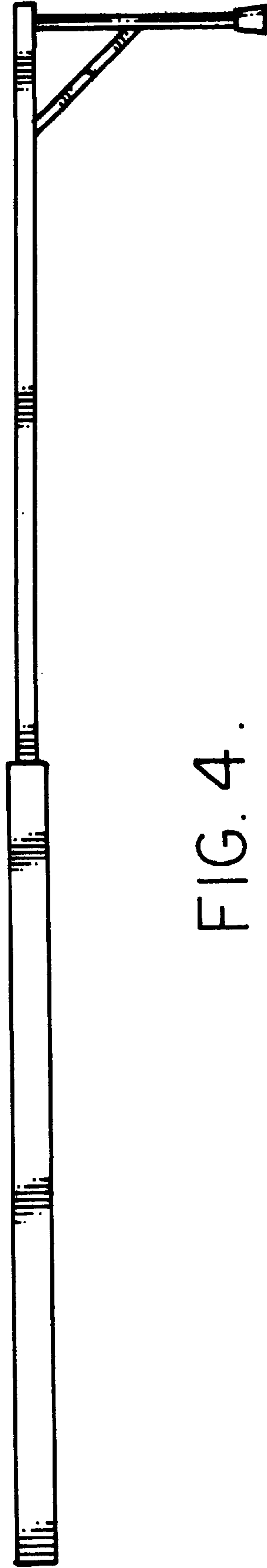


FIG. 4.



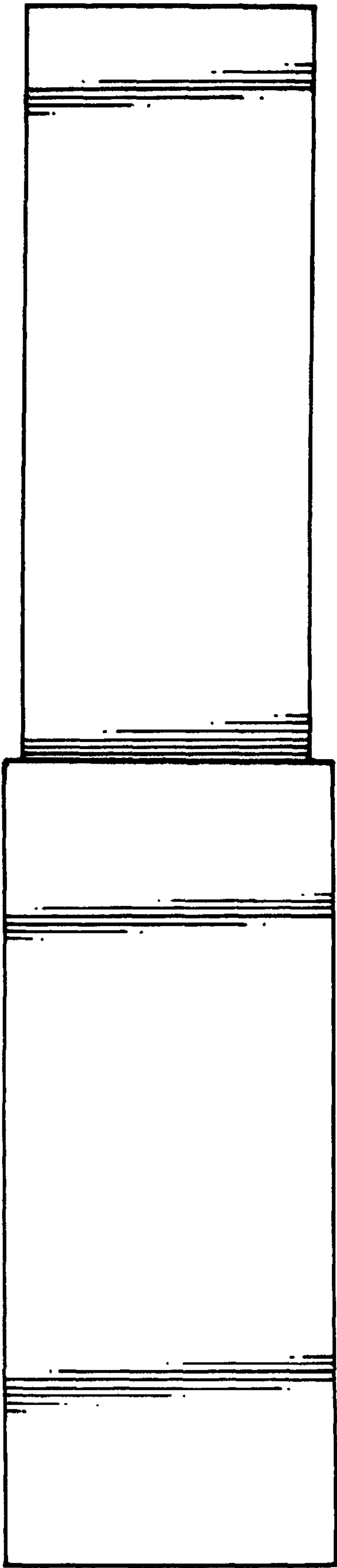


FIG. 5.

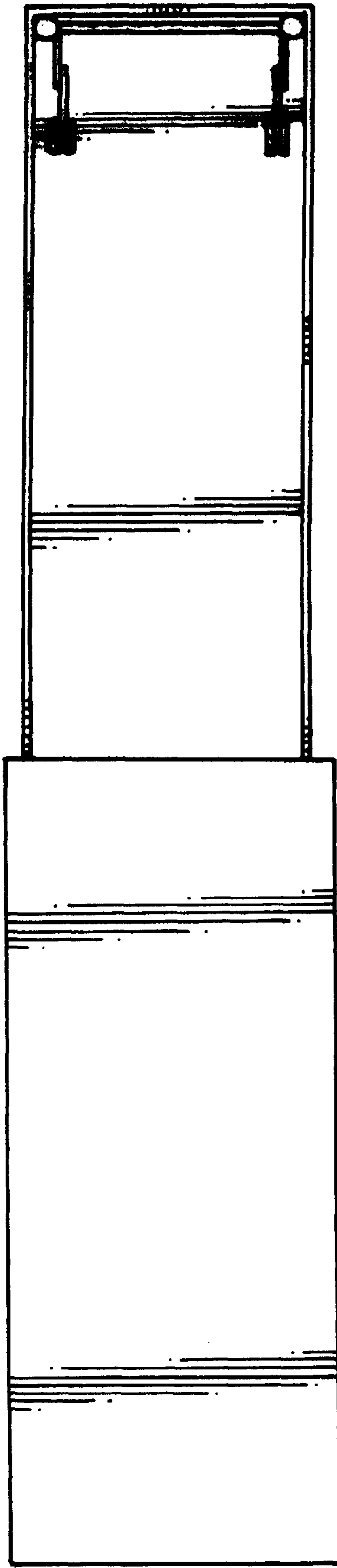


FIG. 6.