



US00D466468S

(12) **United States Design Patent**
Watson

(10) **Patent No.:** **US D466,468 S**

(45) **Date of Patent:** **** Dec. 3, 2002**

(54) **ADAPTER PLATE FOR FUEL TANK**

5,195,785 A * 3/1993 Jellison 285/148.19

(76) Inventor: **Kenneth A. Watson**, 1100 NE. 126th
St., Vancouver, WA (US) 98685

* cited by examiner

(**) Term: **14 Years**

Primary Examiner—Alan P. Douglas

Assistant Examiner—Linda Brooks

(74) *Attorney, Agent, or Firm*—Ingrid McTaggart

(21) Appl. No.: **29/144,759**

(57) **CLAIM**

(22) Filed: **Jul. 9, 2001**

The ornamental design for an adapter plate for fuel tank, as shown and described.

(51) **LOC (7) Cl.** **12-06**

(52) **U.S. Cl.** **D12/218**

(58) **Field of Search** D12/14, 82, 93-100,
D12/110, 114, 218, 197; D23/240-265;
220/86.2; 285/80, 12, 92, 148.18-148.25,
355, 390, 392; 141/383; 180/69.4, 219,
225; 280/288.4, 833-835

DESCRIPTION

FIG. 1 is an isometric view of the adapter plate, showing my new design;

FIG. 2 is a top plan view thereof;

FIG. 3 is a right side elevational view thereof, the left side elevational view being a mirror image thereof;

FIG. 4 is a front elevational view of the adapter plate thereof;

FIG. 5 is a rear elevational view of the adapter plate thereof; and,

FIG. 6 is a bottom plan view thereof.

(56) **References Cited**

U.S. PATENT DOCUMENTS

1,866,644 A * 7/1932 Greer 285/148.19

D262,956 S * 2/1982 McNab et al. D12/218

D275,984 S * 10/1984 Shaw D23/260

1 Claim, 2 Drawing Sheets

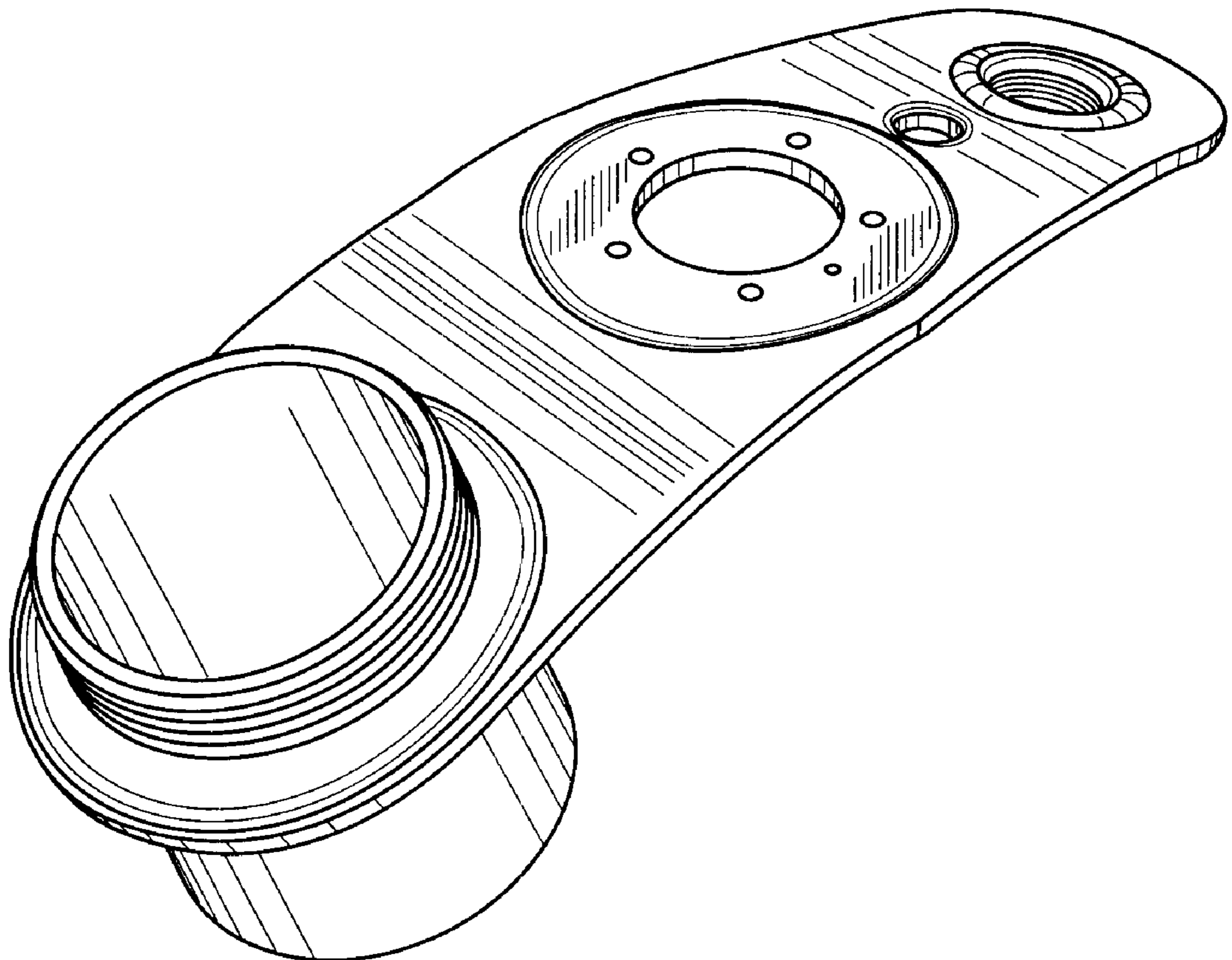


FIG. 1

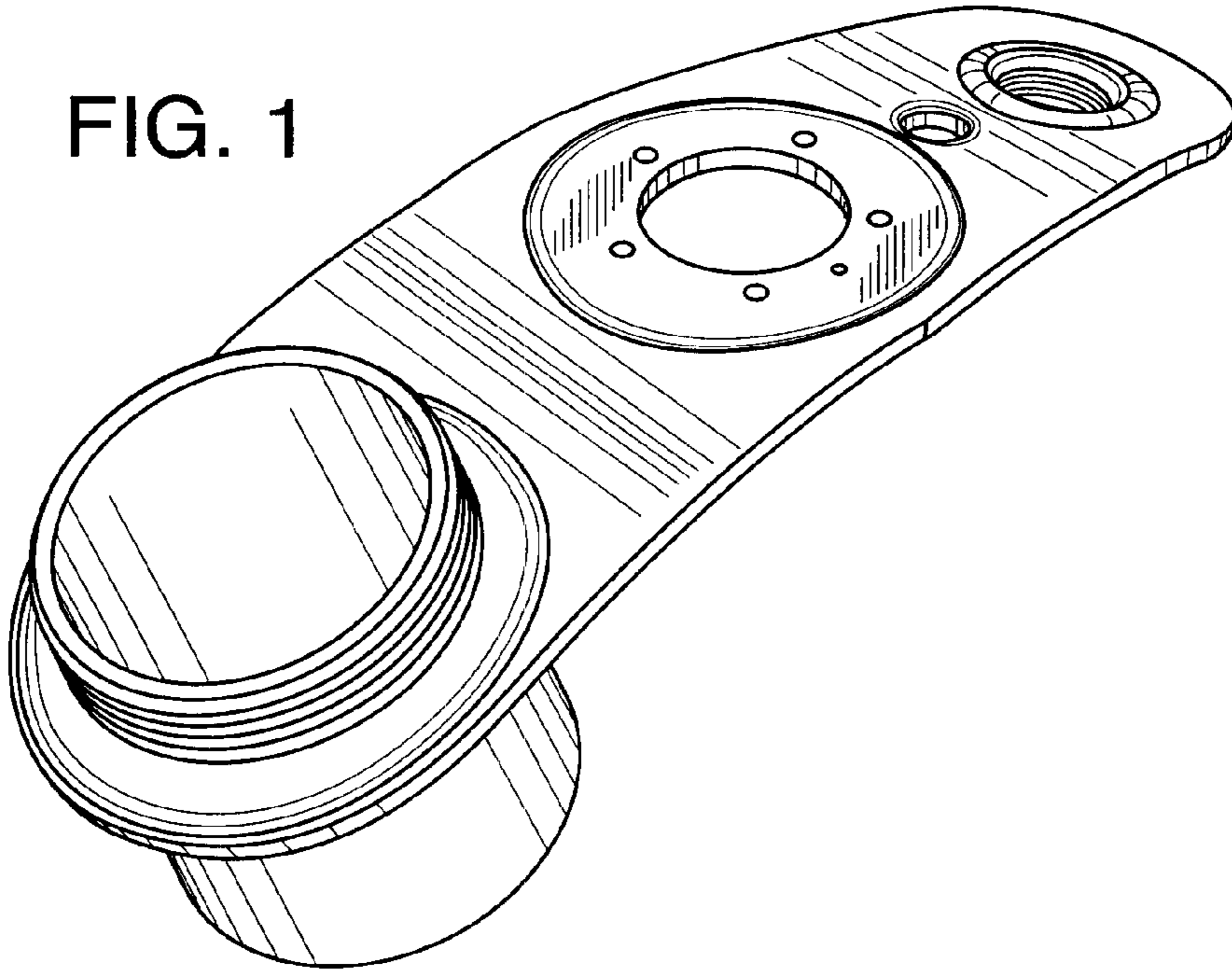


FIG. 2

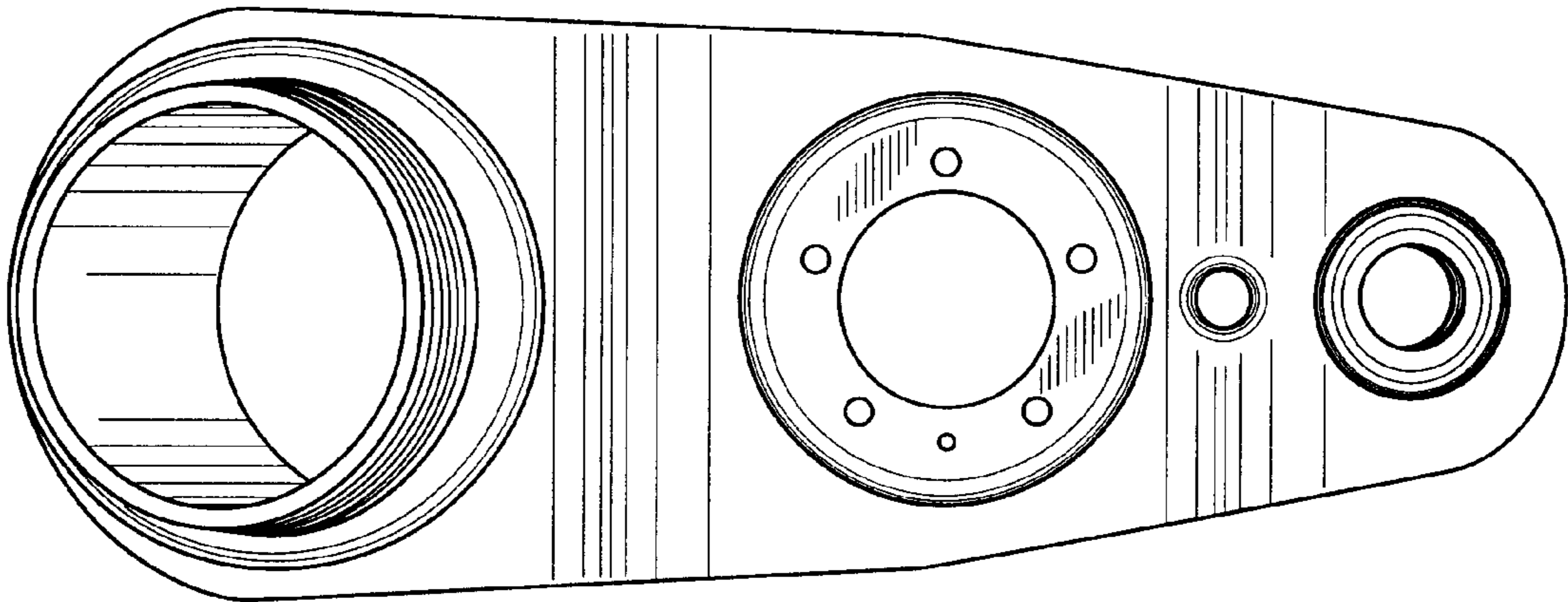


FIG. 3

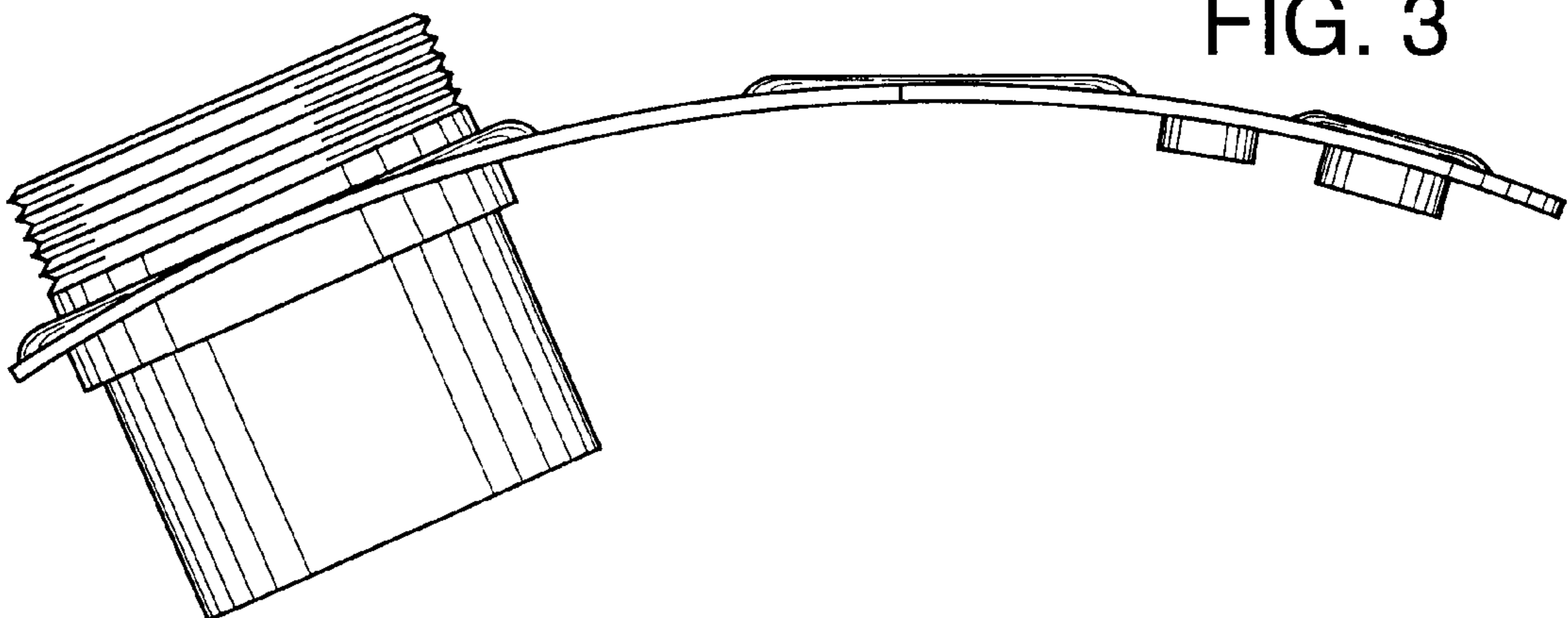


FIG. 4

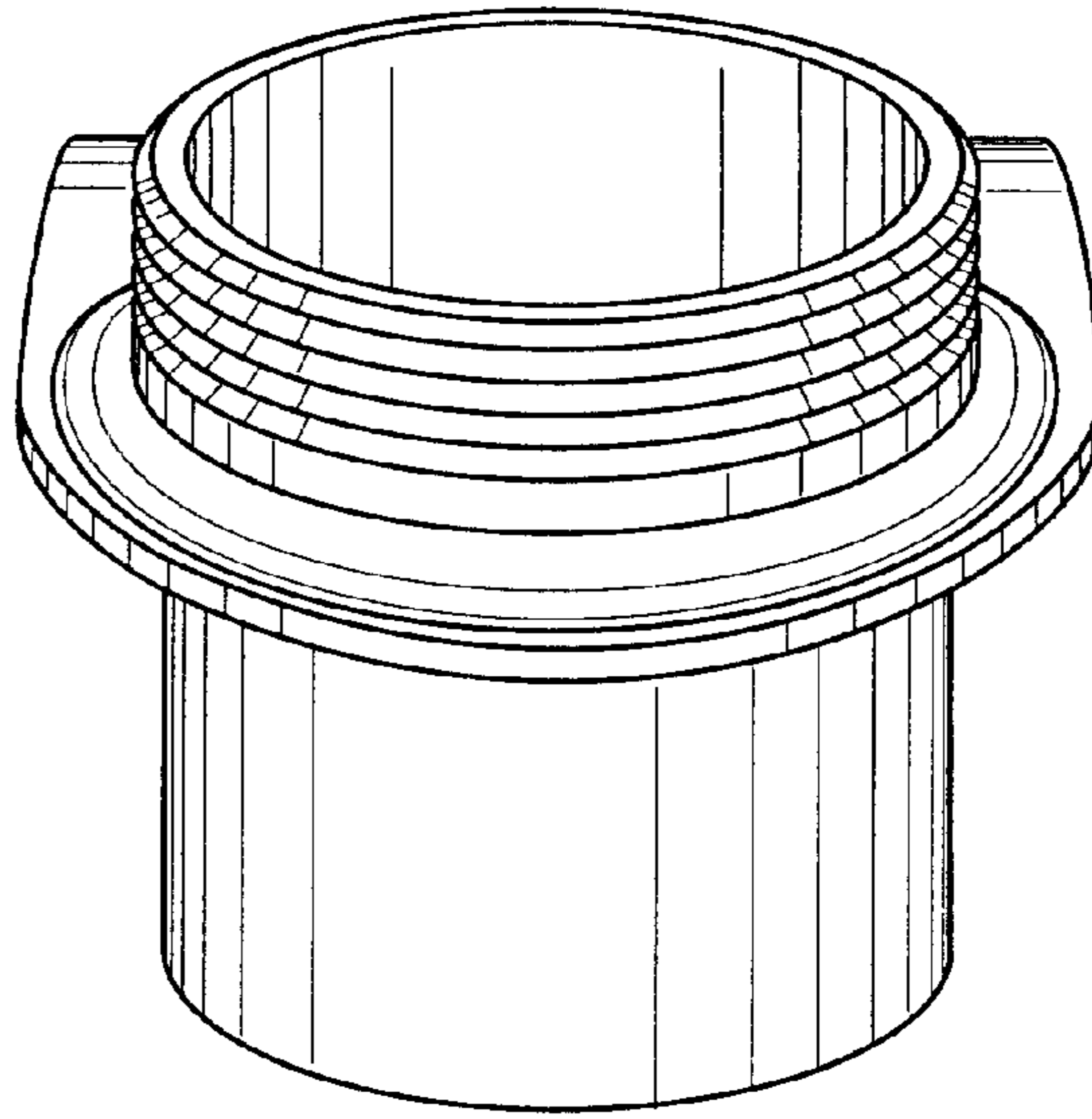


FIG. 5

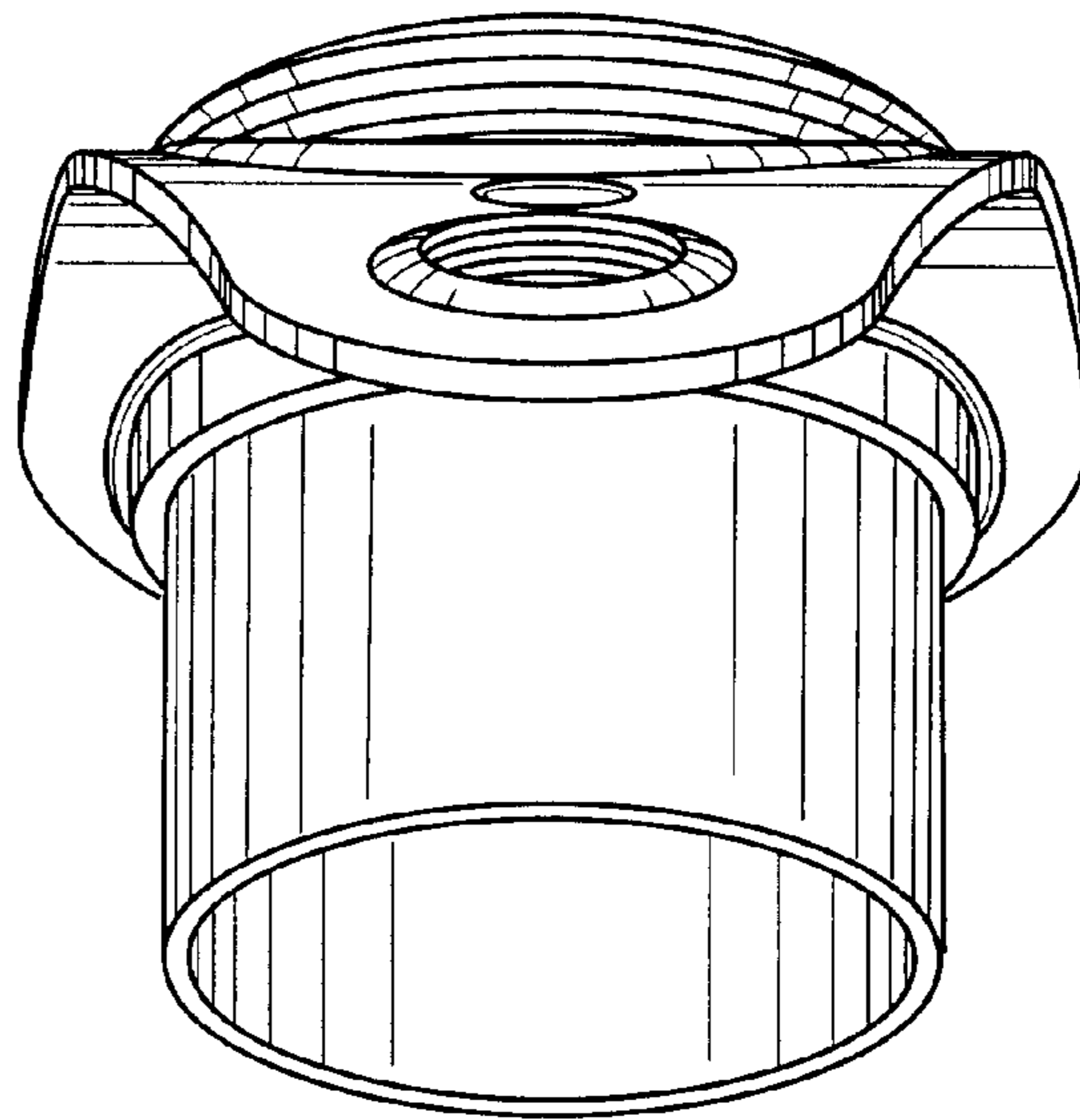


FIG. 6

