



US00D466466S

(12) **United States Design Patent**
Laengerer

(10) **Patent No.:** **US D466,466 S**

(45) **Date of Patent:** **** Dec. 3, 2002**

(54) **FRONT FACE OF A VEHICLE WHEEL**

(75) **Inventor:** **Marcus Laengerer, Renningen (DE)**

(73) **Assignee:** **DaimlerChrysler AG, Stuttgart (DE)**

(**) **Term:** **14 Years**

(21) **Appl. No.:** **29/144,673**

(22) **Filed:** **Jul. 10, 2001**

(30) **Foreign Application Priority Data**

Jan. 11, 2001 (DE) 401 00 132

(51) **LOC (7) Cl.** **12-16**

(52) **U.S. Cl.** **D12/211**

(58) **Field of Search** D12/204-211;
301/37.101, 64.101, 65

(56) **References Cited**

U.S. PATENT DOCUMENTS

D277,661 S	*	2/1985	Cafaro et al.	D12/211
D360,866 S	*	8/1995	Echazabal et al.	D12/209
D375,074 S	*	10/1996	Sacco et al.	D12/209
D388,046 S	*	12/1997	Roesianto	D12/209
D388,047 S	*	12/1997	Pfeiffer et al.	D12/211
D391,216 S	*	2/1998	Bollmann et al.	D12/209
D408,346 S	*	4/1999	Goplen	D12/211
D409,968 S	*	5/1999	Goplen	D12/211
D412,149 S	*	7/1999	Corioni	D12/211
D419,940 S	*	2/2000	Sacco et al.	D12/209
D430,523 S	*	9/2000	Pfeiffer	D12/209
D436,569 S	*	1/2001	Brown et al.	D12/209
D438,165 S	*	2/2001	Echazabal	D12/211

D446,180 S	*	8/2001	Sulahian et al.	D12/211
D448,712 S	*	10/2001	Laengerer	D12/209
D450,030 S	*	11/2001	Pfeiffer	D12/211
D452,209 S	*	12/2001	Chung	D12/209
D452,838 S	*	1/2002	Hieke	D12/209
D453,492 S	*	2/2002	Laengerer	D12/209
D454,530 S	*	3/2002	Hieke	D12/211
D454,825 S	*	3/2002	Amatino	D12/211
D455,696 S	*	4/2002	Foose	D12/209
D459,691 S	*	7/2002	Takechi	D12/211

* cited by examiner

Primary Examiner—Stacia Cadmus

(74) *Attorney, Agent, or Firm*—Crowell & Moring LLP

(57) **CLAIM**

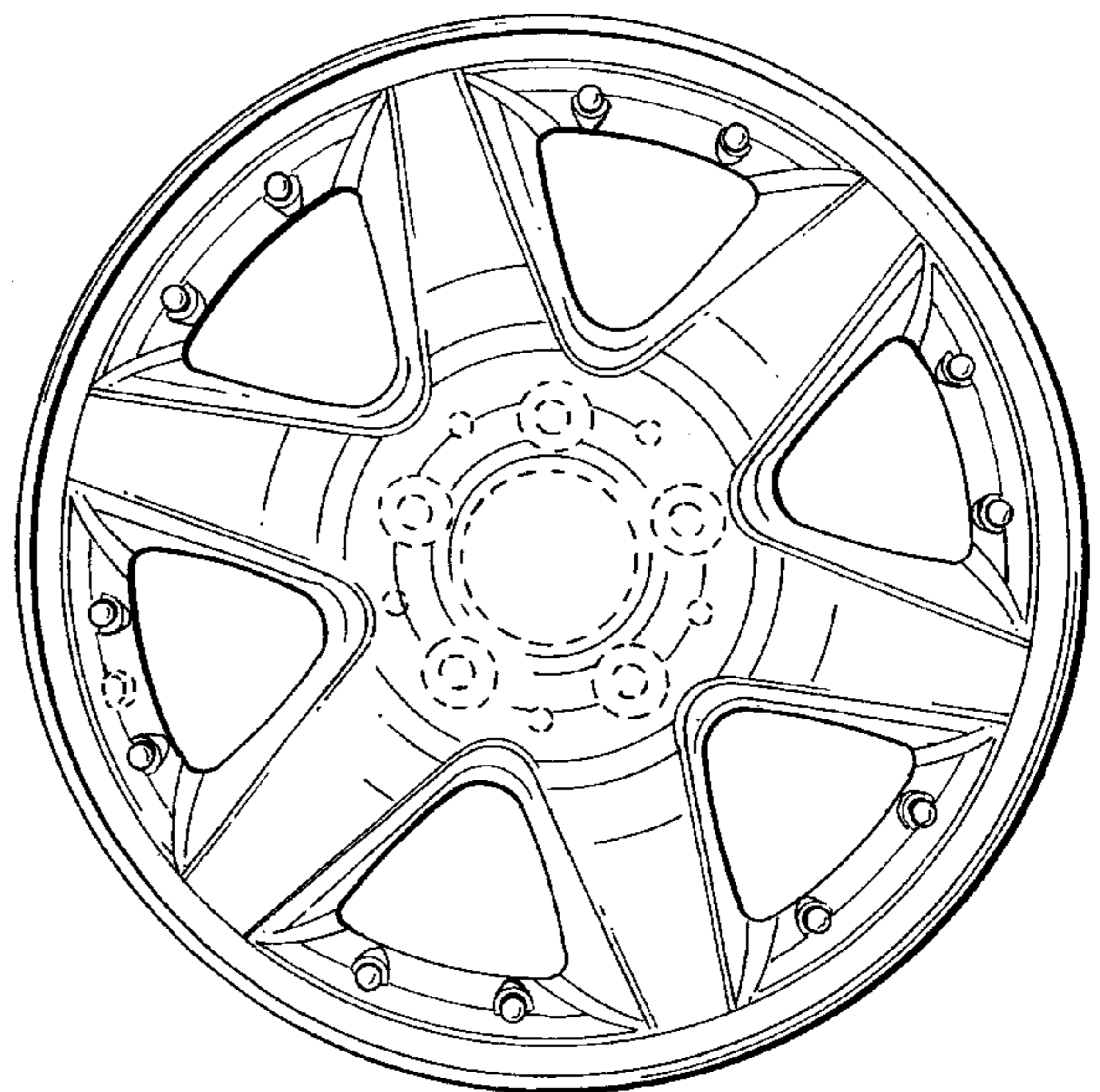
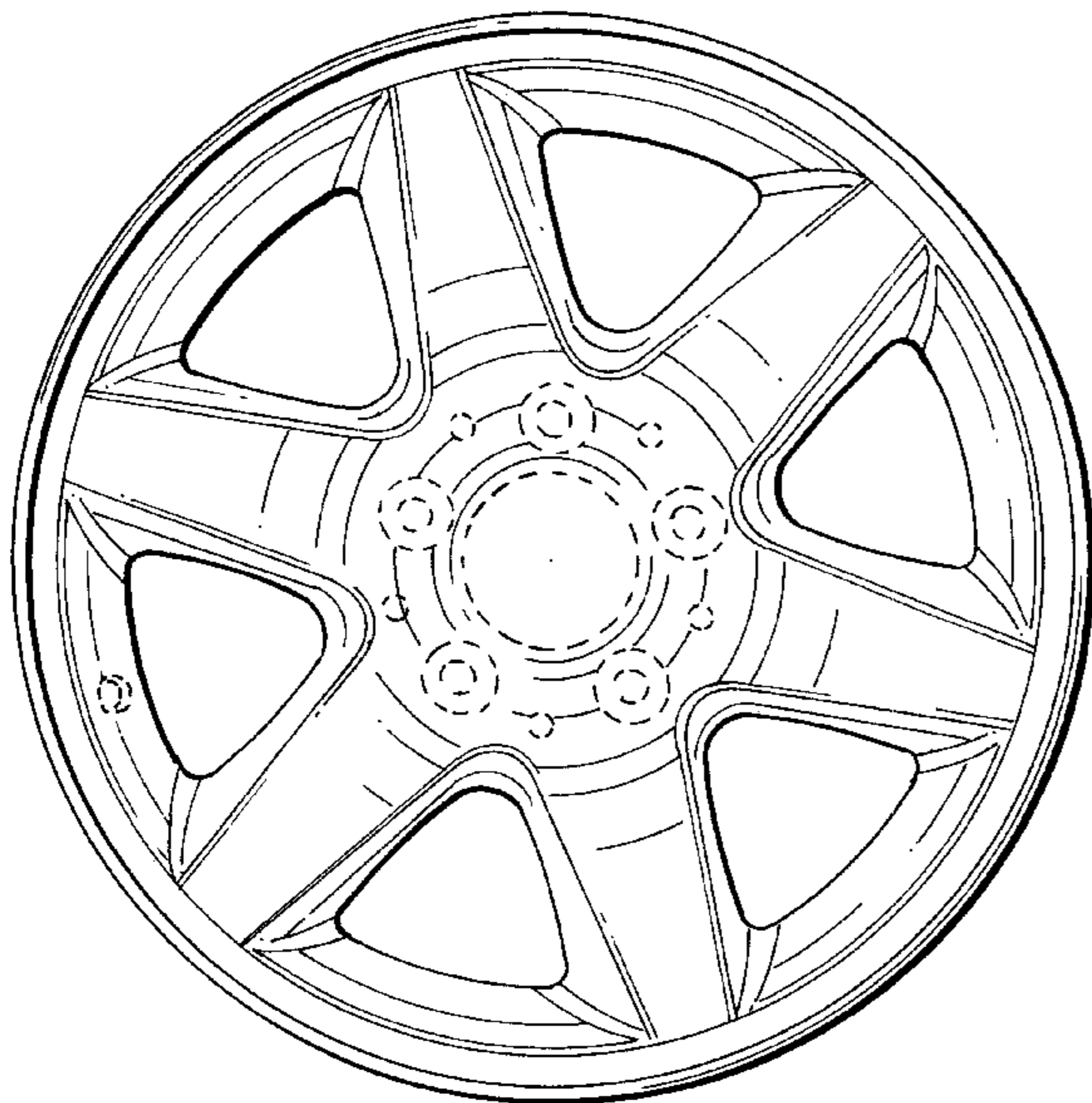
The ornamental design for a front face of a vehicle wheel, as shown and described.

DESCRIPTION

FIG. 1 is a front view of a first embodiment of a front face of a vehicle wheel according to my novel design; FIG. 2 is a perspective view of the first embodiment of the front face of a vehicle wheel according to my novel design; FIG. 3 is a front view of a second embodiment of the front face of a vehicle wheel according to my novel design; and, FIG. 4 is a perspective view of the second embodiment of the front face of a vehicle wheel according to my novel design.

The dash lines included depict environment and are not part of the claimed design.

1 Claim, 2 Drawing Sheets



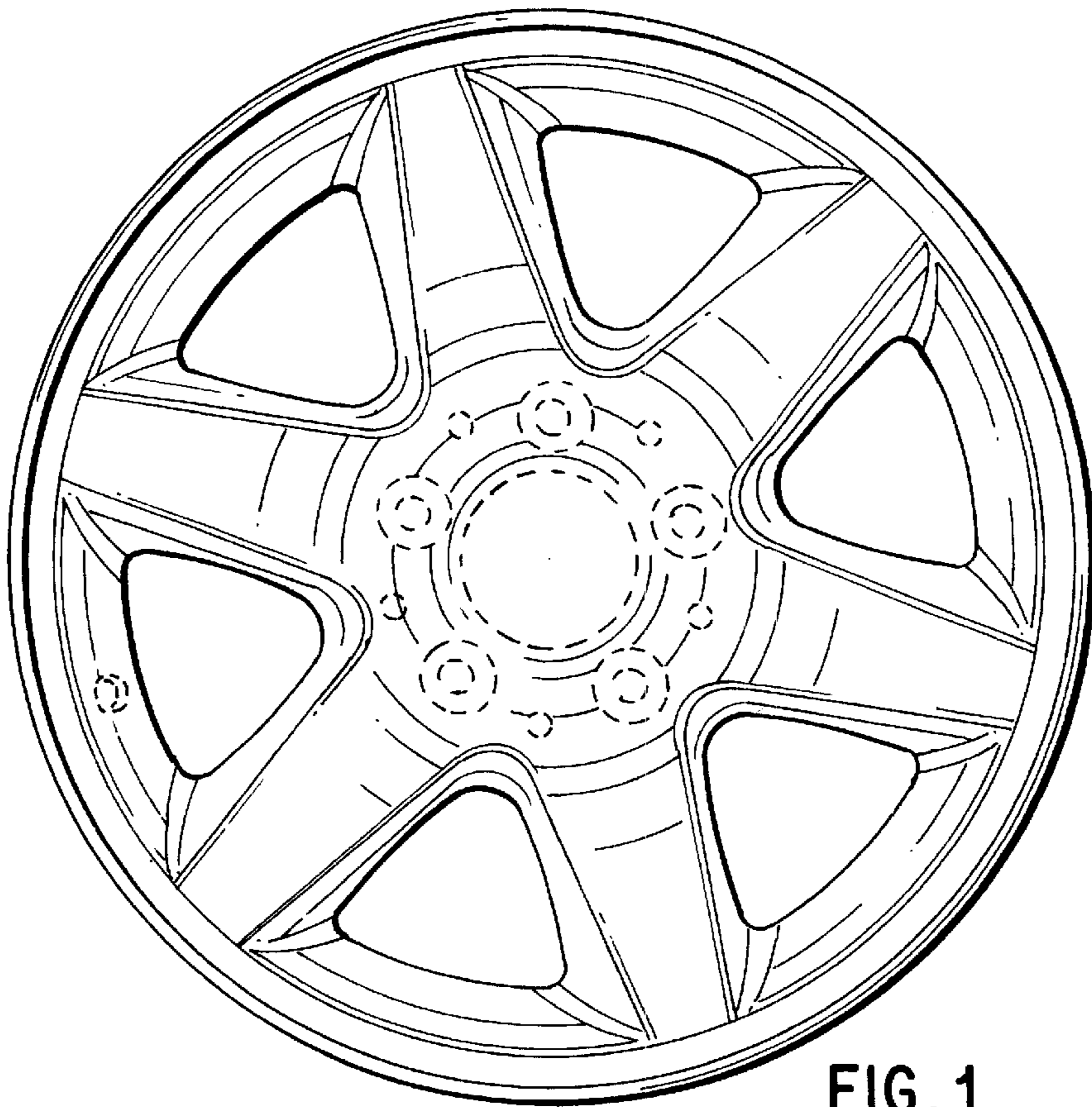


FIG. 1

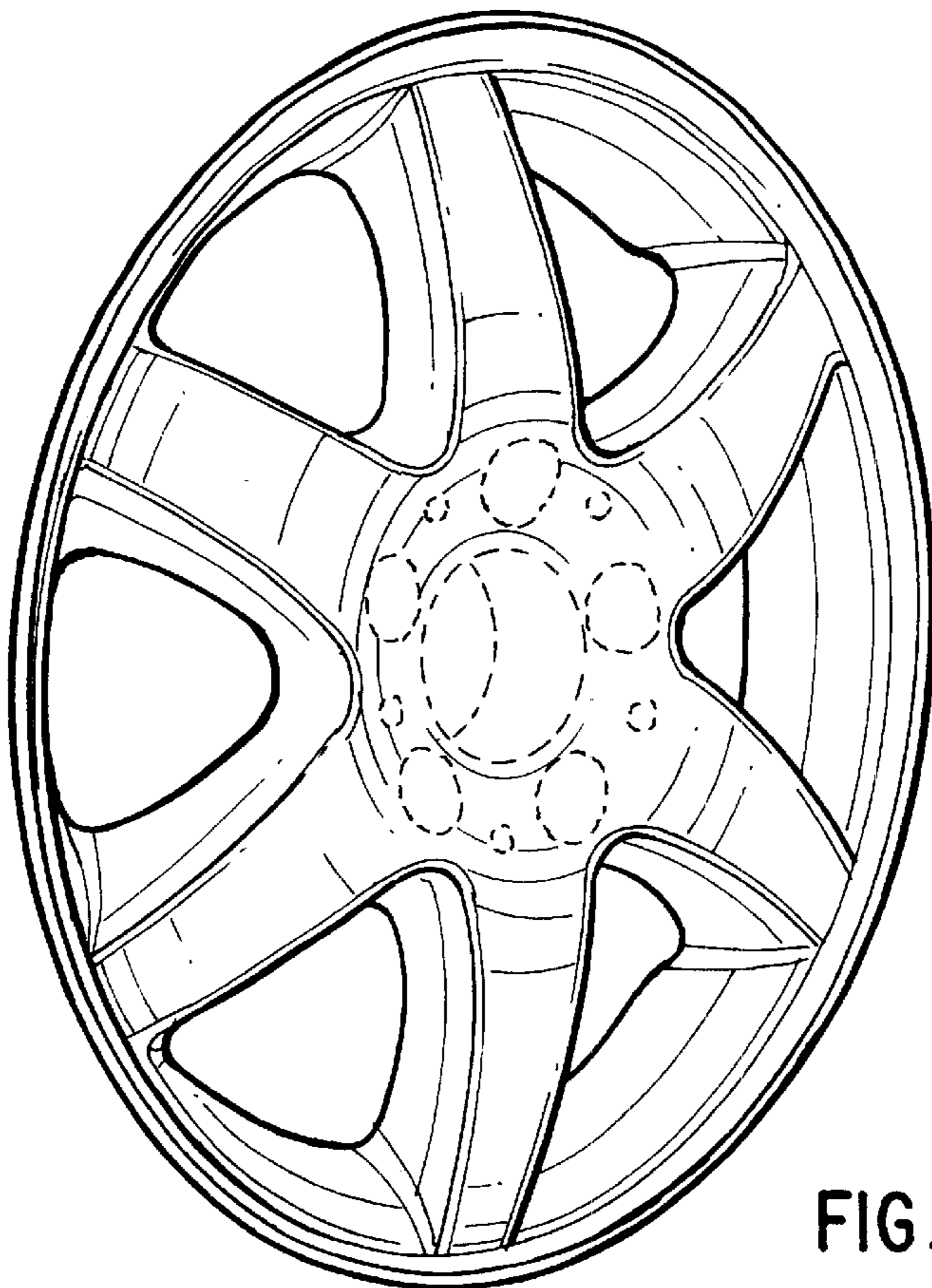


FIG. 2

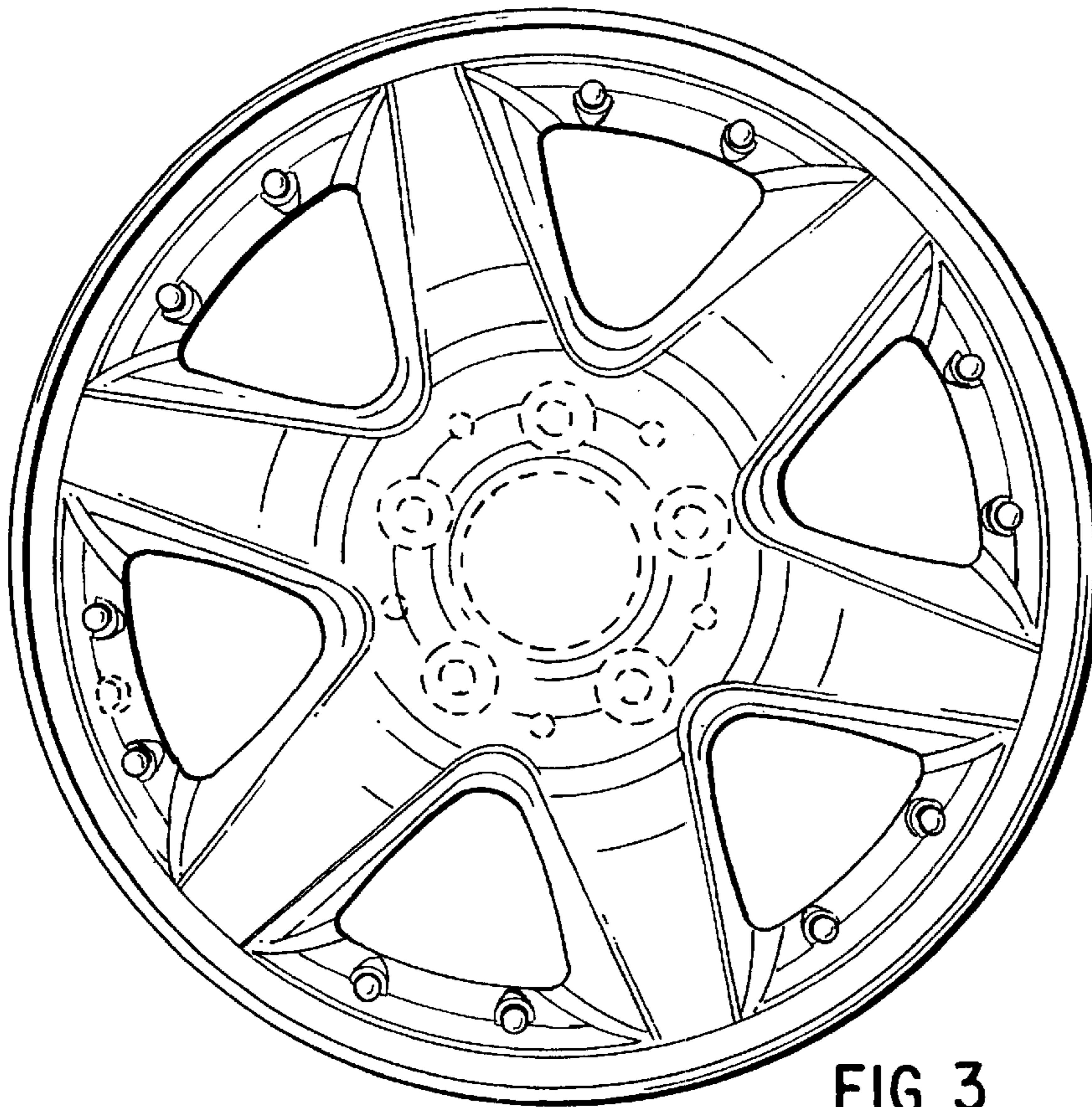


FIG. 3

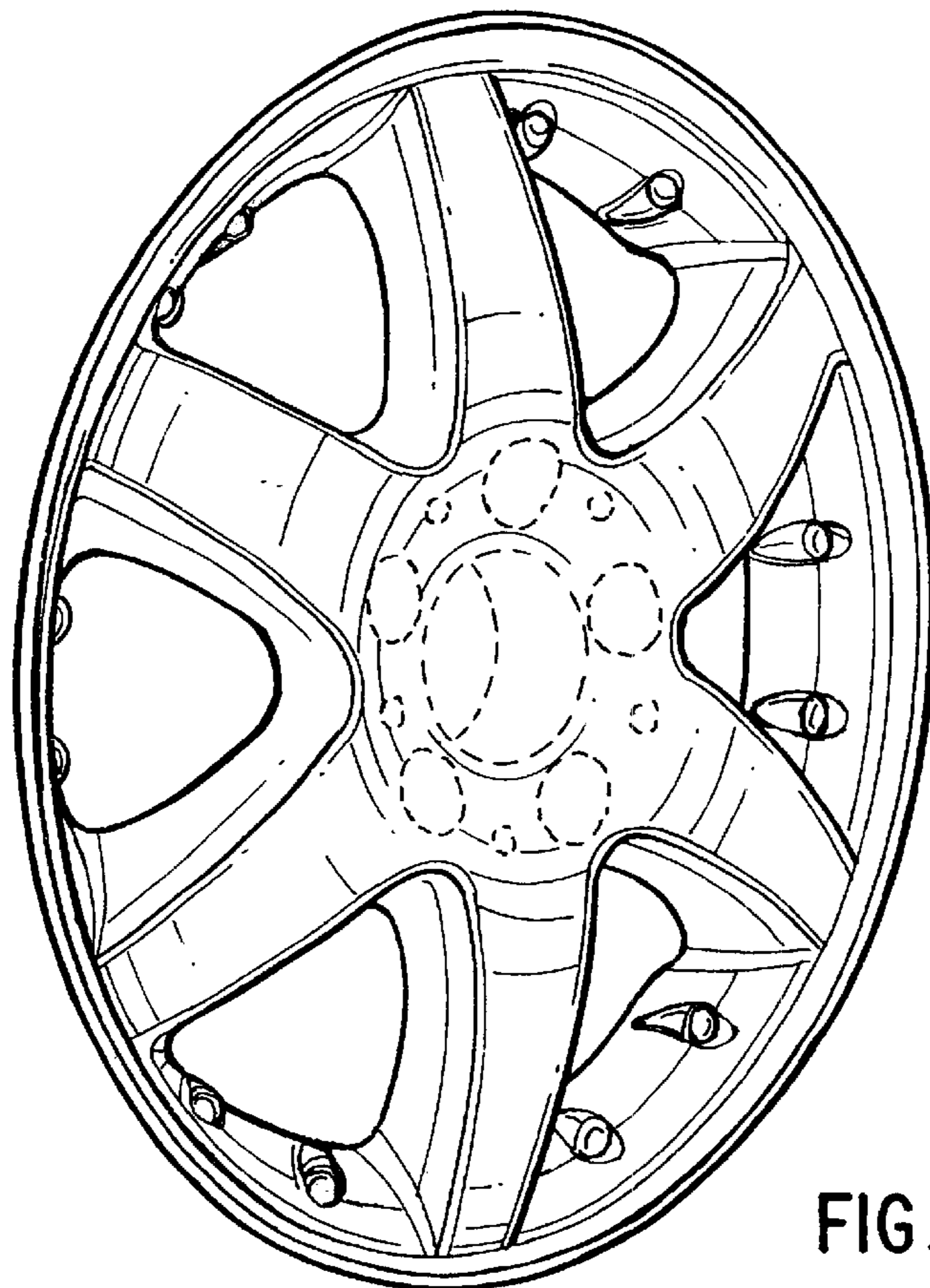


FIG. 4