



US00D466462S

(12) **United States Design Patent**
Lee

(10) **Patent No.:** **US D466,462 S**

(45) **Date of Patent:** **** Dec. 3, 2002**

(54) **AUTOMOTIVE WHEEL**

(75) **Inventor:** **Seon Kyu Lee**, Fullerton, CA (US)

(73) **Assignee:** **Sancro International**, Santa Fe Springs, CA (US)

(**) **Term:** **14 Years**

(21) **Appl. No.:** **29/158,147**

(22) **Filed:** **Apr. 1, 2002**

(51) **LOC (7) Cl.** **12-16**

(52) **U.S. Cl.** **D12/209**

(58) **Field of Search** D12/204-211;
301/37.101, 64.101, 65

D453,492 S	*	2/2002	Laengerer	D12/209
D455,387 S	*	4/2002	McMath	D12/209
D455,696 S	*	4/2002	Foose	D12/209
D455,703 S	*	4/2002	Foose	D12/211
D457,849 S	*	5/2002	Kataoka	D12/209
D458,203 S	*	6/2002	Kataoka	D12/209
D459,691 S	*	7/2002	Takechi	D12/211
D460,939 S	*	7/2002	Chung	D12/209
D461,155 S	*	8/2002	Takechi	D12/209

* cited by examiner

Primary Examiner—Stacia Cadmus

(74) *Attorney, Agent, or Firm*—G. Donald Weber, Jr.

(57) **CLAIM**

The ornamental design for an automotive wheel, as shown and described.

(56) **References Cited**

U.S. PATENT DOCUMENTS

D432,972 S	*	10/2000	Chung	D12/209
D433,658 S	*	11/2000	Donikoglu	D12/209
D438,165 S	*	2/2001	Echazabal	D12/211
D438,834 S	*	3/2001	Ong	D12/211
D442,535 S	*	5/2001	Lotson	D12/209
D455,082 S	*	7/2001	Chung	D21/211
D449,811 S	*	10/2001	Fitzgerald	D12/211
D452,209 S	*	12/2001	Chung	D12/209

DESCRIPTION

FIG. 1 is an oblique view of the automotive wheel of the instant invention; and,

FIG. 2 is a front view of the automotive wheel of the instant invention.

The broken line showing of environment is for illustrative purposes only and forms no part of the claimed design.

1 Claim, 1 Drawing Sheet

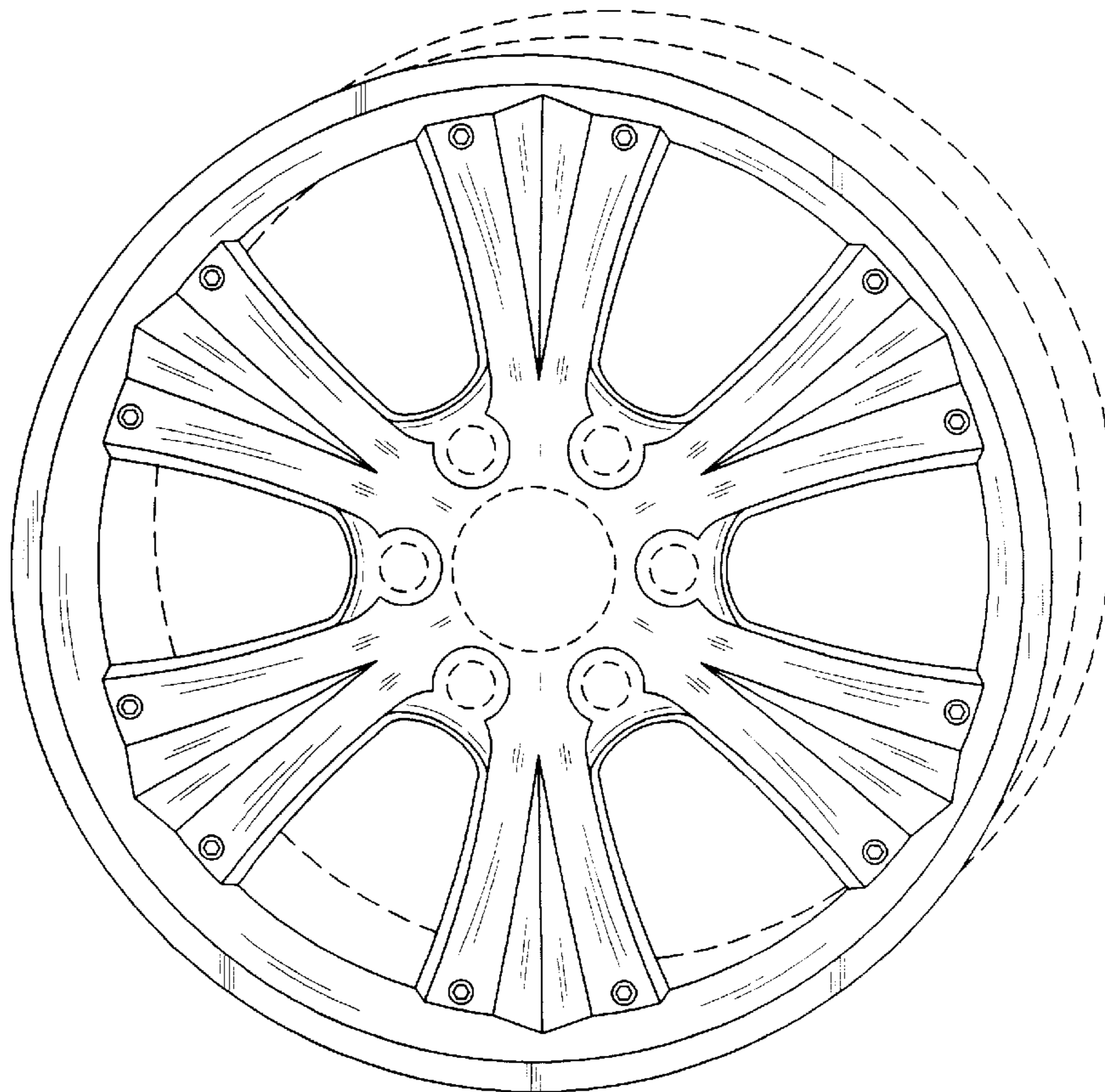


Fig. 1

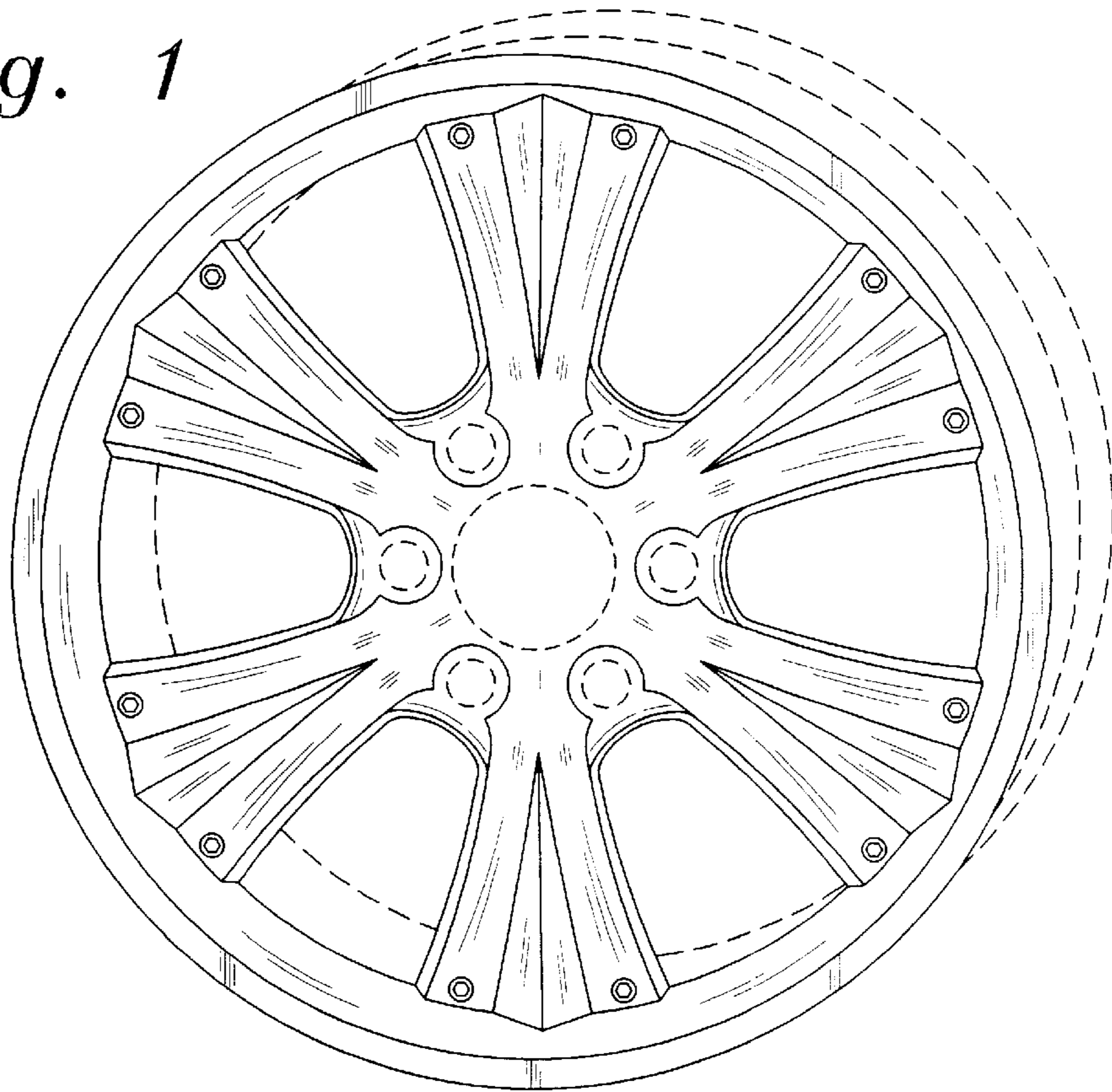


Fig. 2

