



US00D466461S

(12) **United States Design Patent**  
**Kataoka**

(10) **Patent No.:** **US D466,461 S**

(45) **Date of Patent:** **\*\* Dec. 3, 2002**

(54) **AUTOMOTIVE WHEEL**

(75) **Inventor:** **Tatsuya Kataoka, Ota Gunma (JP)**

(73) **Assignee:** **Kaizer Motor Sports Co., Carson, CA (US)**

(\*\*) **Term:** **14 Years**

(21) **Appl. No.:** **29/158,140**

(22) **Filed:** **Apr. 1, 2002**

(51) **LOC (7) Cl. .... 12-16**

(52) **U.S. Cl. .... D12/209**

(58) **Field of Search .... D12/204-211;  
301/37.1, 64.1, 65**

(56) **References Cited**

**U.S. PATENT DOCUMENTS**

D403,649 S	*	1/1999	Moreno	.....	D12/211
D416,848 S	*	11/1999	Bernoni	.....	D12/209
D423,442 S	*	4/2000	Hussaini et al.	.....	D12/209
D433,373 S	*	11/2000	Hussaini et al.	.....	D12/209

D435,006 S	*	12/2000	Brown	.....	D12/209
D436,907 S	*	1/2001	Ong	.....	D12/209
D437,276 S	*	2/2001	Hodges	.....	D12/209
D452,674 S	*	1/2002	Wartono	.....	D12/209
D454,824 S	*	3/2002	McMath	.....	D12/209
D455,108 S	*	4/2002	Kaucher	.....	D12/209

\* cited by examiner

*Primary Examiner*—Stacia Cadmus

(74) *Attorney, Agent, or Firm*—G. Donald Weber, Jr.

(57) **CLAIM**

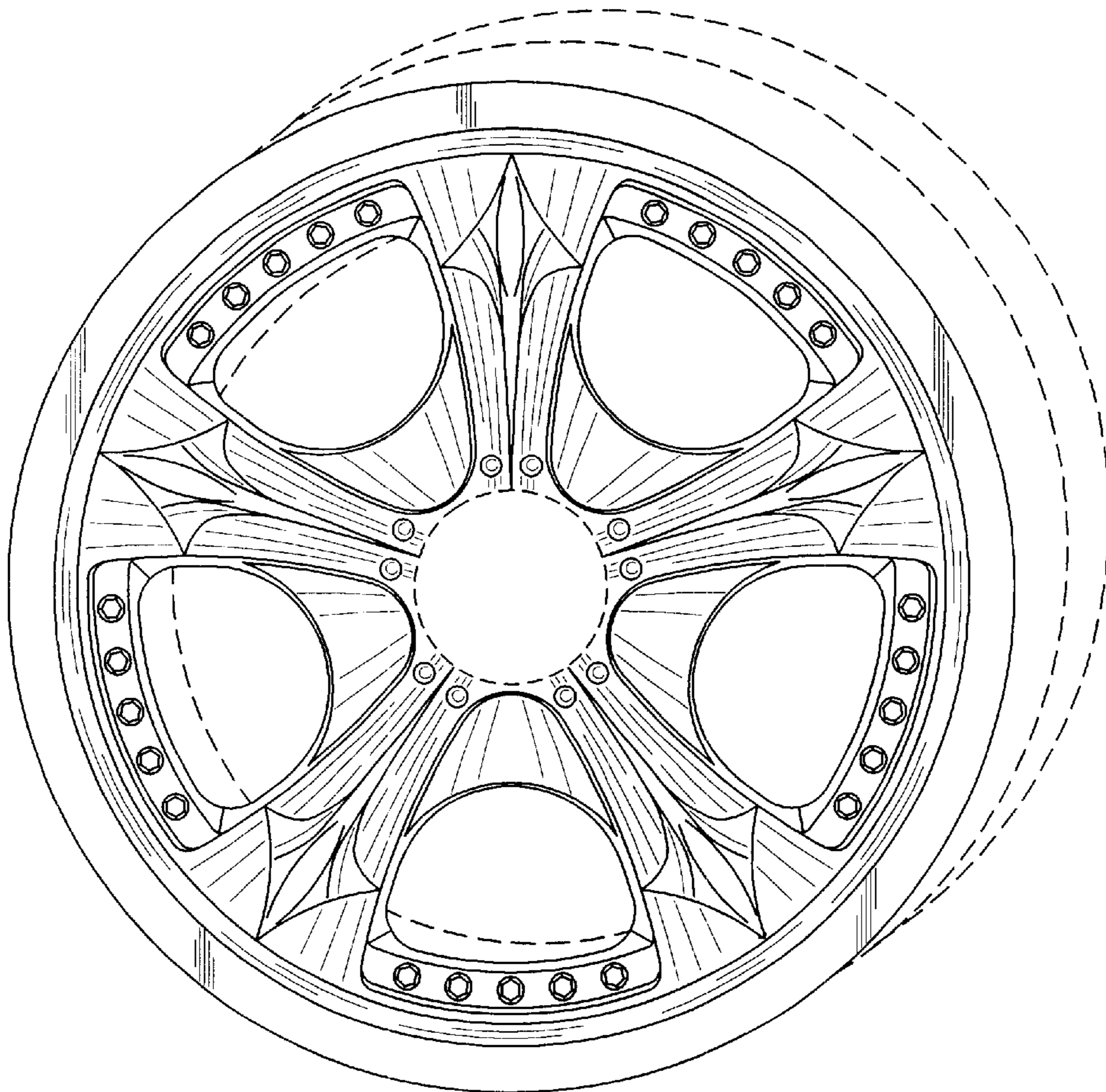
The ornamental design for an automotive wheel, as shown and described.

**DESCRIPTION**

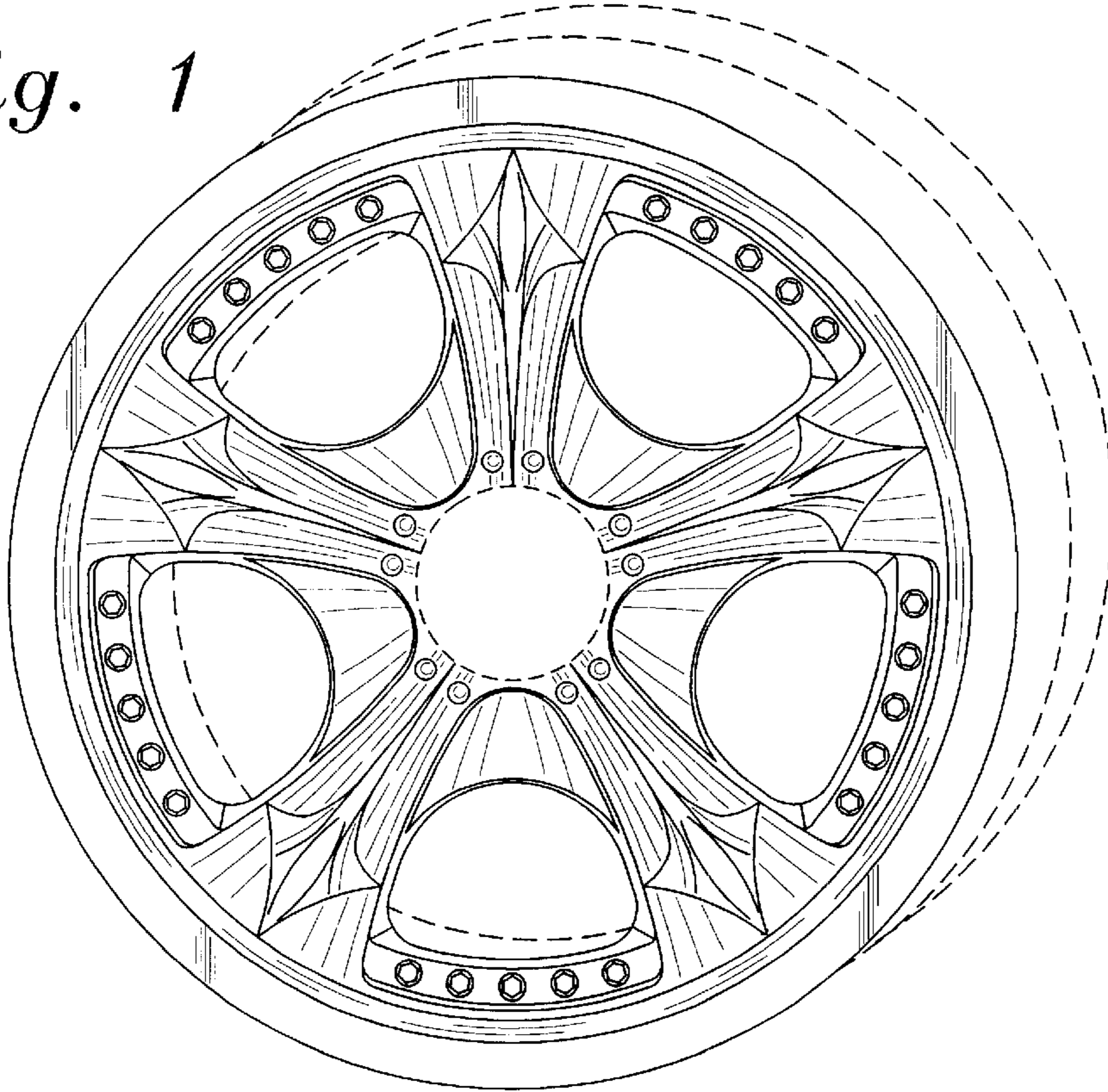
FIG. 1 is a perspective view of the automotive wheel of the instant invention; and, FIG. 2 is a side elevation view of the automotive wheel of the instant invention.

The broken line showing of environment is for illustrative purposes only and forms no part of the claimed design.

**1 Claim, 1 Drawing Sheet**



*Fig. 1*



*Fig. 2*

