



US00D466452S

(12) **United States Design Patent**  
**Nees**

(10) **Patent No.:** **US D466,452 S**

(45) **Date of Patent:** **\*\* Dec. 3, 2002**

(54) **HITCH COVER**

(76) **Inventor:** **Dale Allen Nees**, 912 W. Kroll Ave.,  
Gilbert, AZ (US) 85233

(\*\*) **Term:** **14 Years**

(21) **Appl. No.:** **29/158,785**

(22) **Filed:** **Apr. 9, 2002**

(51) **LOC (7) Cl.** ..... **12-16**

(52) **U.S. Cl.** ..... **D12/162**

(58) **Field of Search** ..... D12/162, 400;  
280/415-416.3, 504, 510-513, 493-495,  
491.3

(56) **References Cited**

**U.S. PATENT DOCUMENTS**

D342,472 S	*	12/1993	Harper	.....	D12/162
D359,018 S	*	6/1995	Thigpen	.....	D12/162
D376,780 S	*	12/1996	McCoy	.....	D12/162
D401,197 S	*	11/1998	Julian	.....	D12/162
D404,349 S	*	1/1999	Julian	.....	D12/162

D404,696 S	*	1/1999	Julian	.....	D12/162
D409,124 S	*	5/1999	Bank	.....	D12/162
D436,065 S	*	1/2001	Peng	.....	D12/162
D443,567 S	*	6/2001	Weir et la.	.....	D12/162

\* cited by examiner

*Primary Examiner*—Stacia Cadmus

(74) *Attorney, Agent, or Firm*—Joseph H. Roediger; Nelson & Roediger

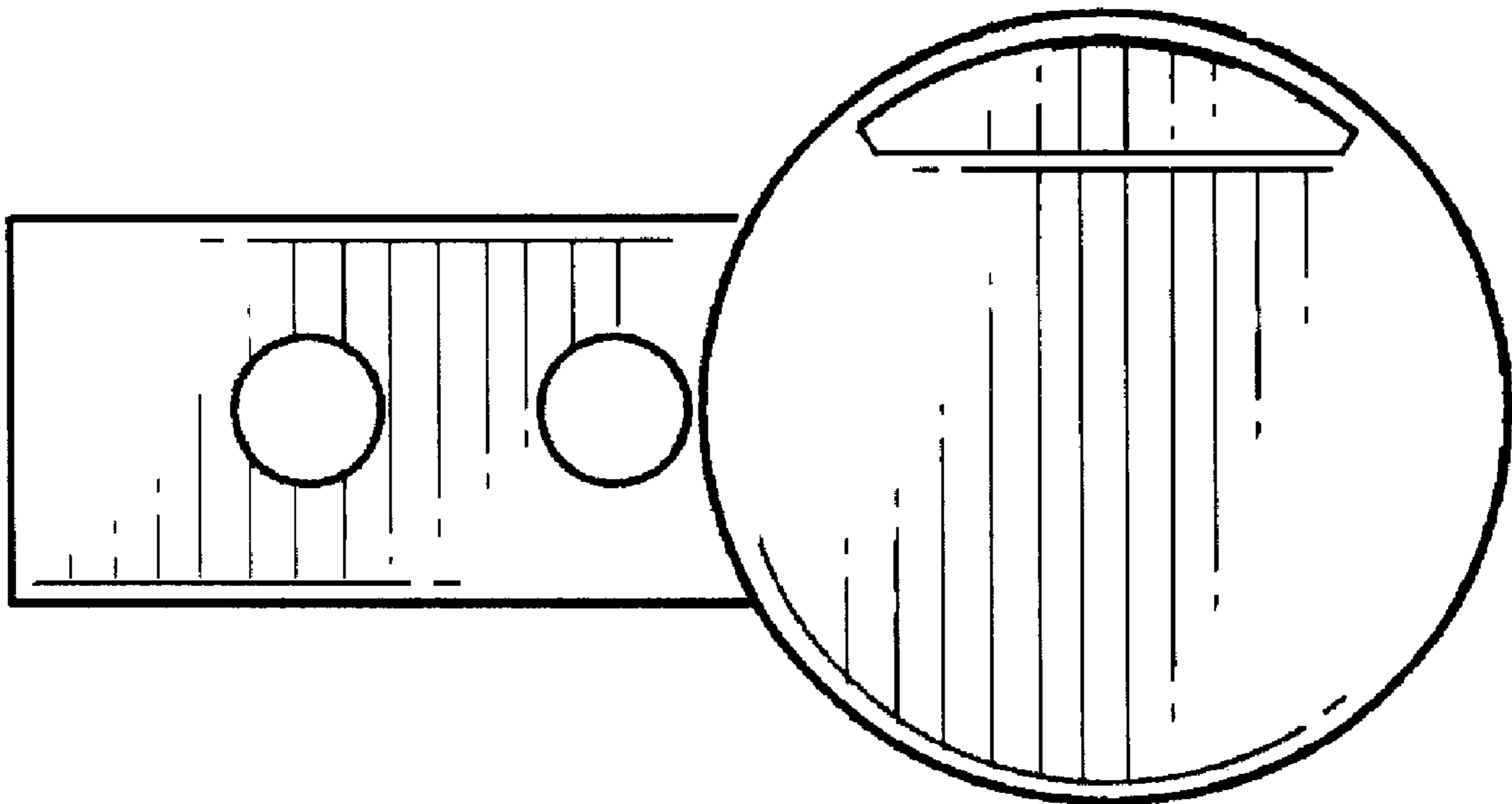
(57) **CLAIM**

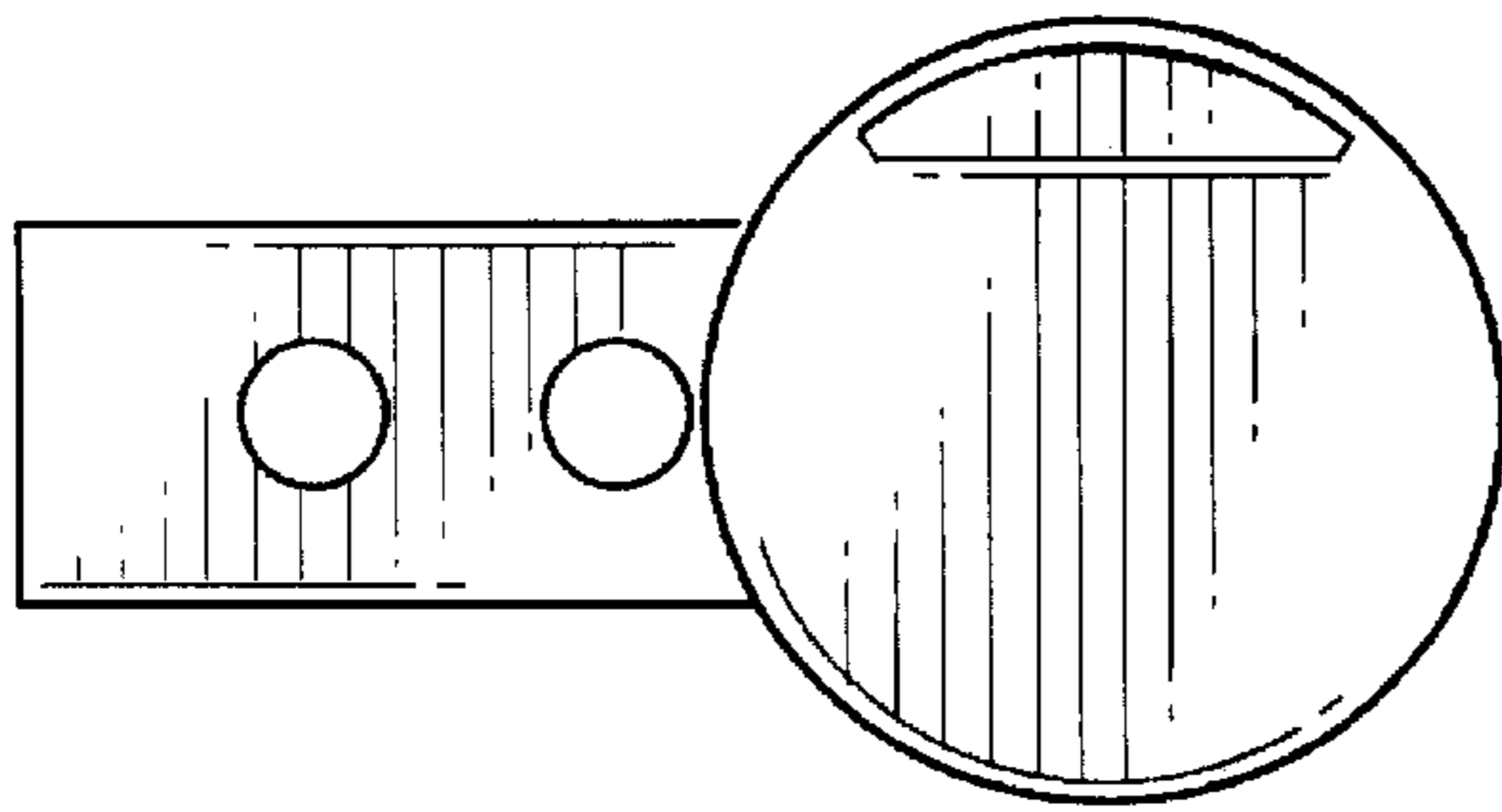
The ornamental design for a hitch cover, as shown and described.

**DESCRIPTION**

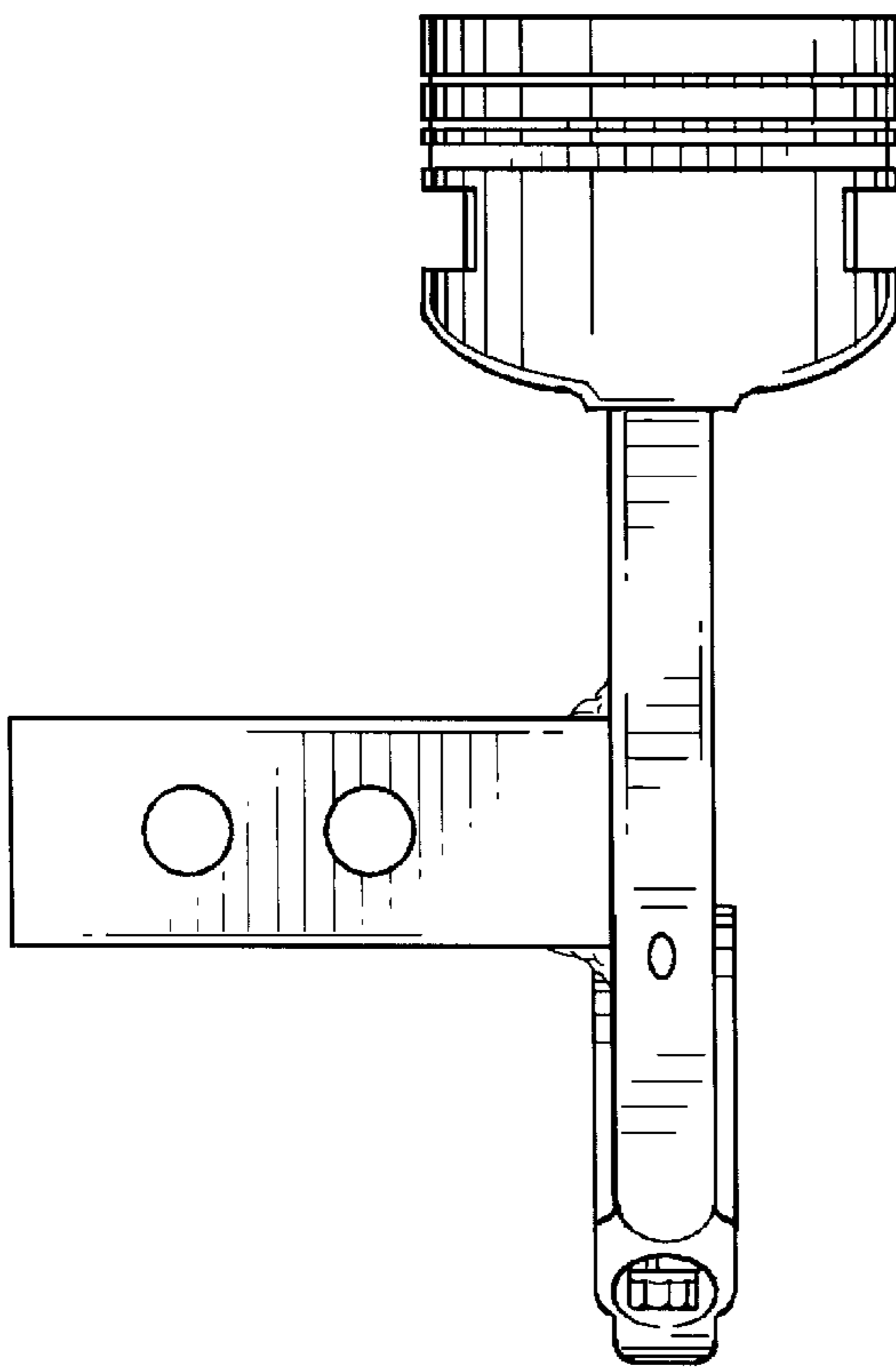
FIG. 1 is a top view of a hitch cover showing my new design;  
FIG. 2 is a right side elevational view thereof;  
FIG. 3 is a front elevational view thereof;  
FIG. 4 is a rear elevational view thereof;  
FIG. 5 is a left side elevational view thereof; and,  
FIG. 6 is a bottom plan view thereof.

**1 Claim, 2 Drawing Sheets**

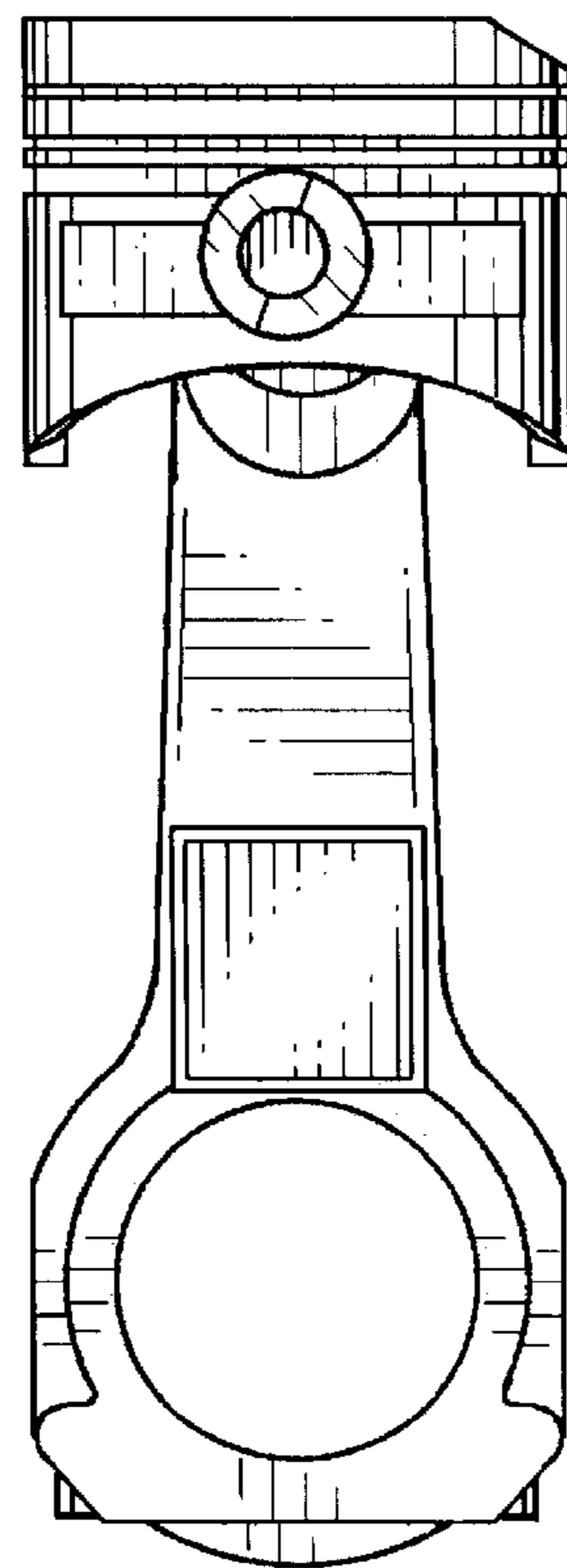




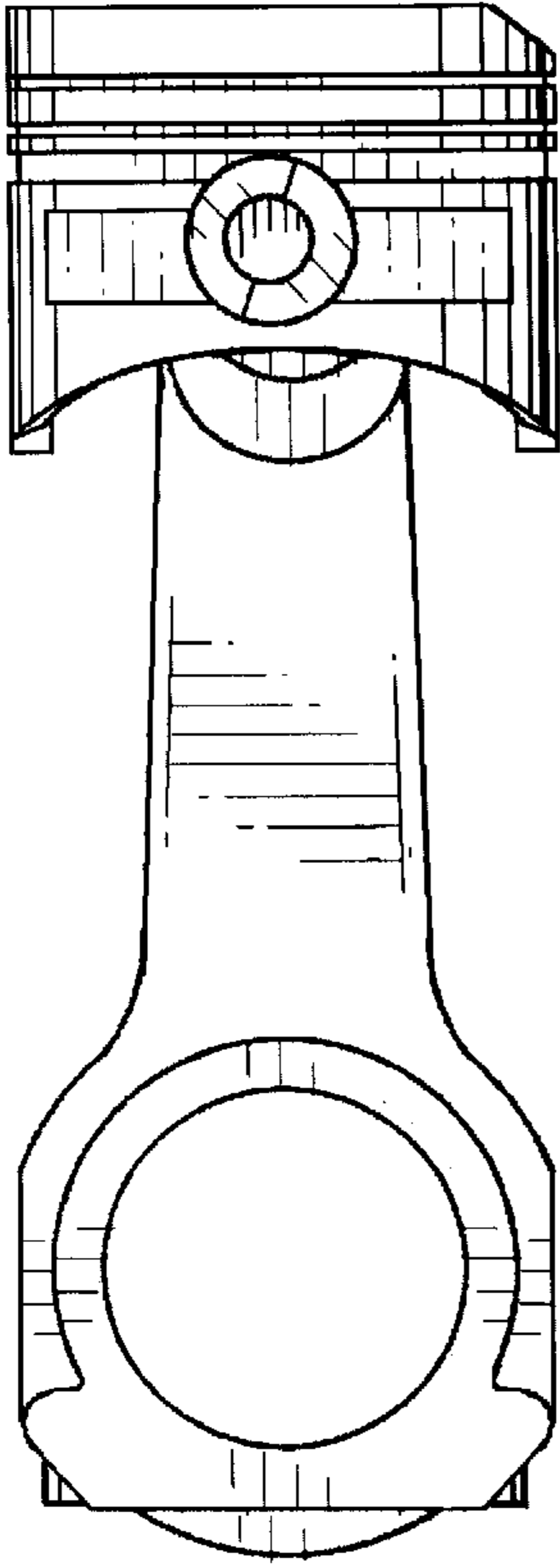
**FIG. 1.**



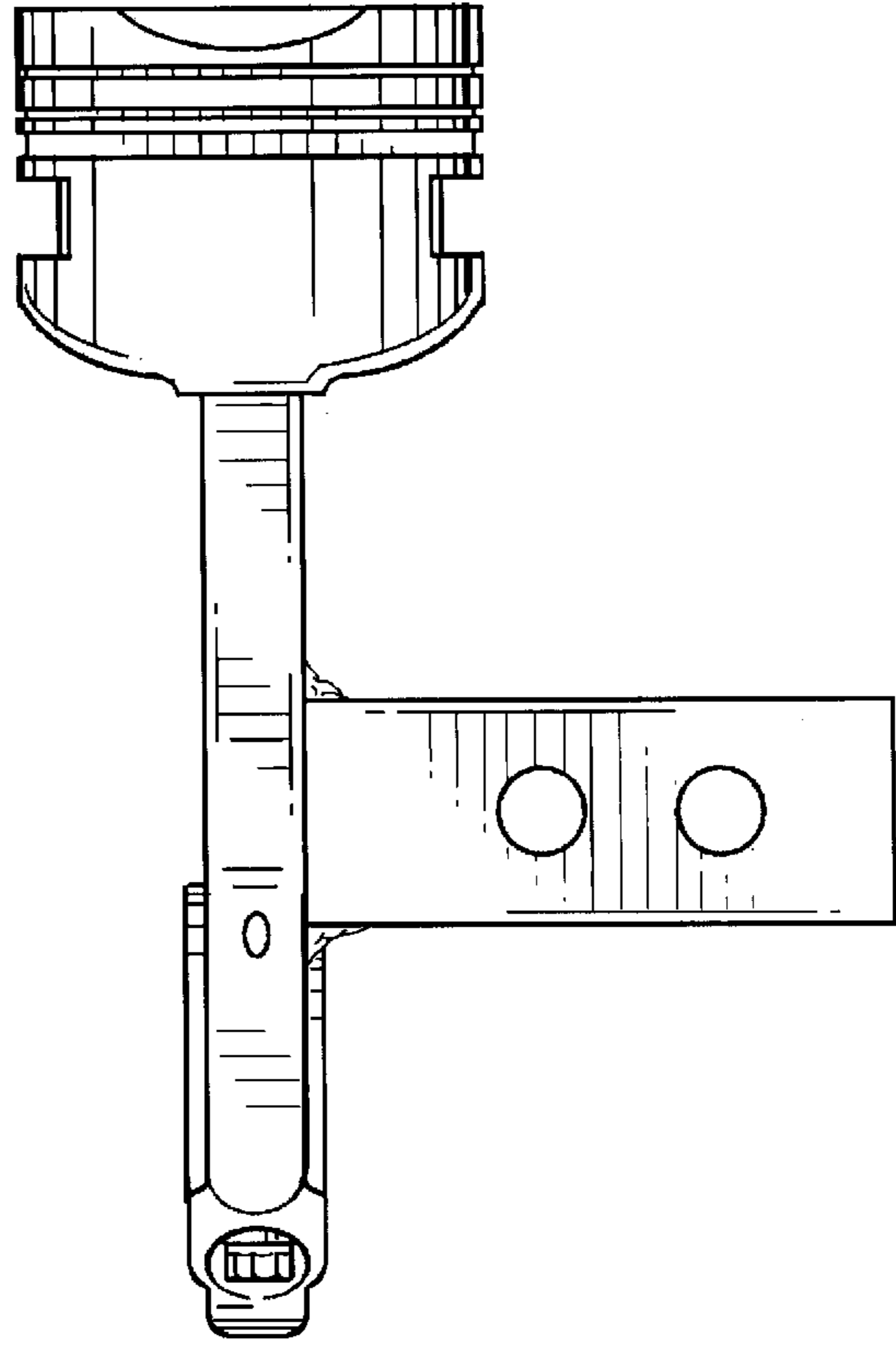
**FIG. 2.**



**FIG. 3.**



**FIG. 4.**



**FIG. 5.**

**FIG. 6.**

