



US00D466451S

(12) **United States Design Patent**
Trostle et al.

(10) **Patent No.:** **US D466,451 S**

(45) **Date of Patent:** **** Dec. 3, 2002**

(54) **VEHICLE BODY**

(75) Inventors: **Mark C Trostle**, Clarkston, MI (US);
Ricardo Z Aneiros, Dearborn, MI
(US); **John D Bucci**, Rochester Hills,
MI (US)

(73) Assignee: **DaimlerChrysler Corporation**, Auburn
Hills, MI (US)

(**) Term: **14 Years**

(21) Appl. No.: **29/152,144**

(22) Filed: **Dec. 14, 2001**

(51) **LOC (7) Cl.** **12-08**

(52) **U.S. Cl.** **D12/98**

(58) **Field of Search** D12/98, 93; 296/183,
296/185, 186

(56) **References Cited**

U.S. PATENT DOCUMENTS

D373,979 S 9/1996 Starr et al. D12/98
D396,666 S 8/1998 Allen D12/98
D405,392 S 2/1999 Allen D12/98

D419,491 S 1/2000 Allen D12/98
D430,068 S 8/2000 Castiglione et al. D12/98
D455,372 S * 4/2002 Myles D12/98

* cited by examiner

Primary Examiner—Melody N. Brown

(74) *Attorney, Agent, or Firm*—Ralph E. Smith

(57) **CLAIM**

The ornamental design for a vehicle body, as shown and described.

DESCRIPTION

FIG. 1 is a left side view of a vehicle body showing our new design.

FIG. 2 is a right side view thereof.

FIG. 3 is a front view thereof.

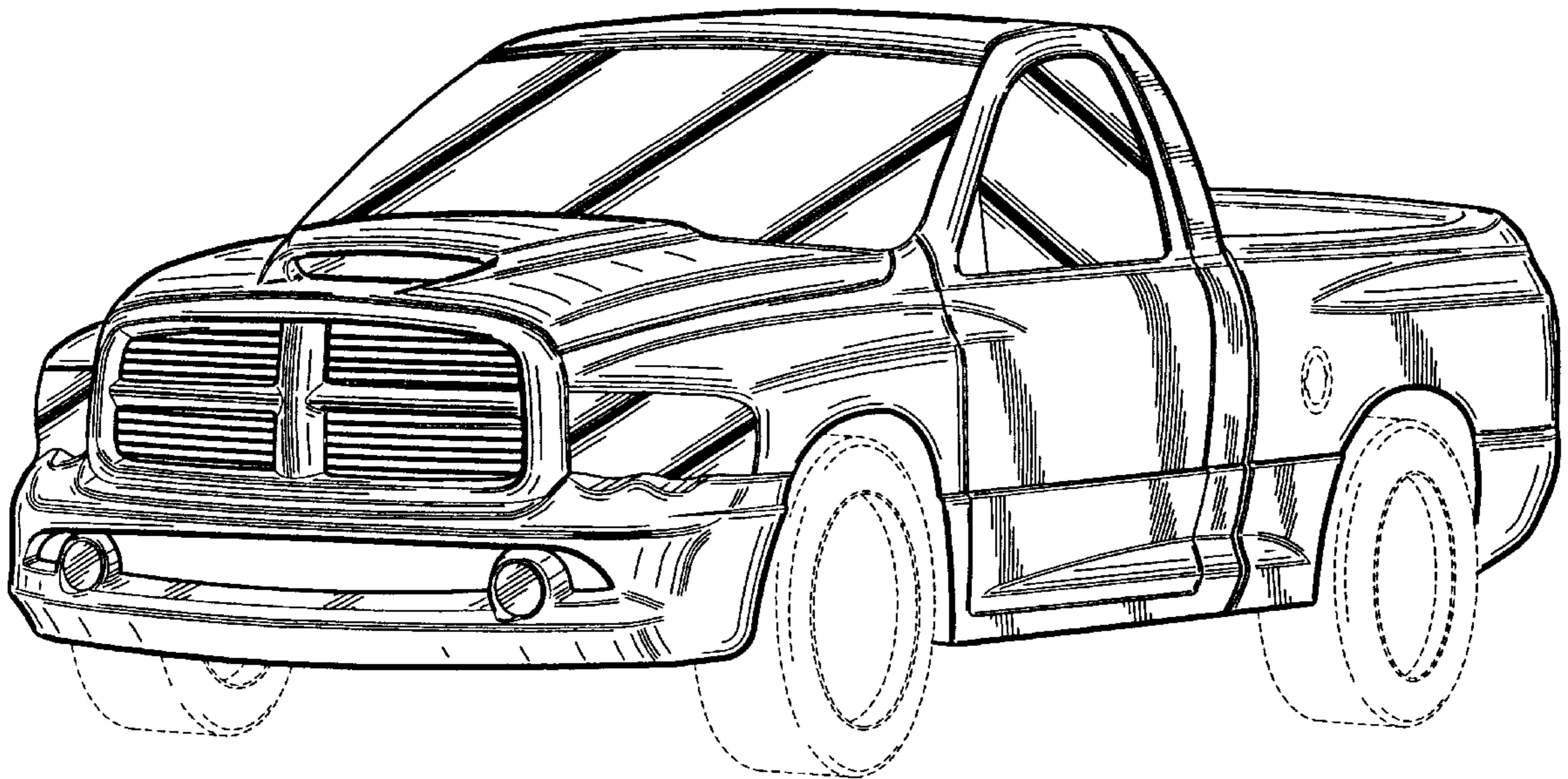
FIG. 4 is a rear view thereof.

FIG. 5 is a front perspective view thereof; and,

FIG. 6 is a rear perspective view thereof.

It will be understood that the top is plain and unornamental and further that the broken line shown throughout the drawings is for illustration only, forming no part of the claimed design.

1 Claim, 5 Drawing Sheets



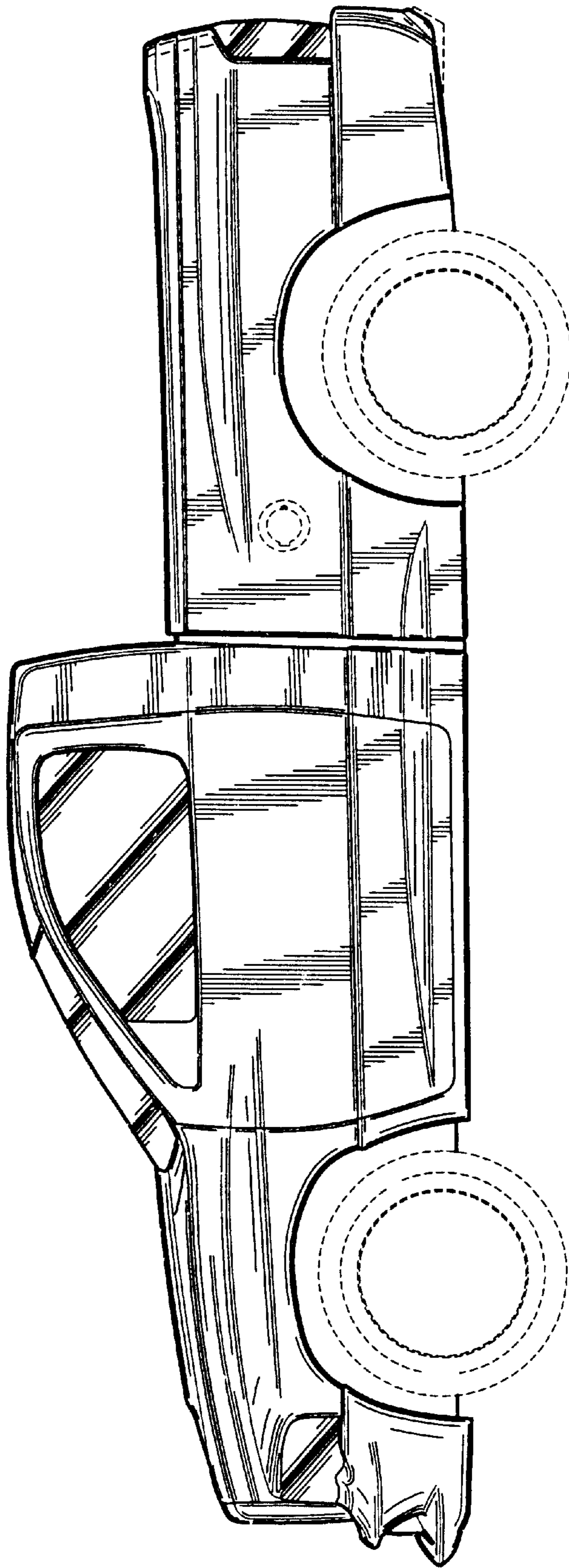


Figure - 1

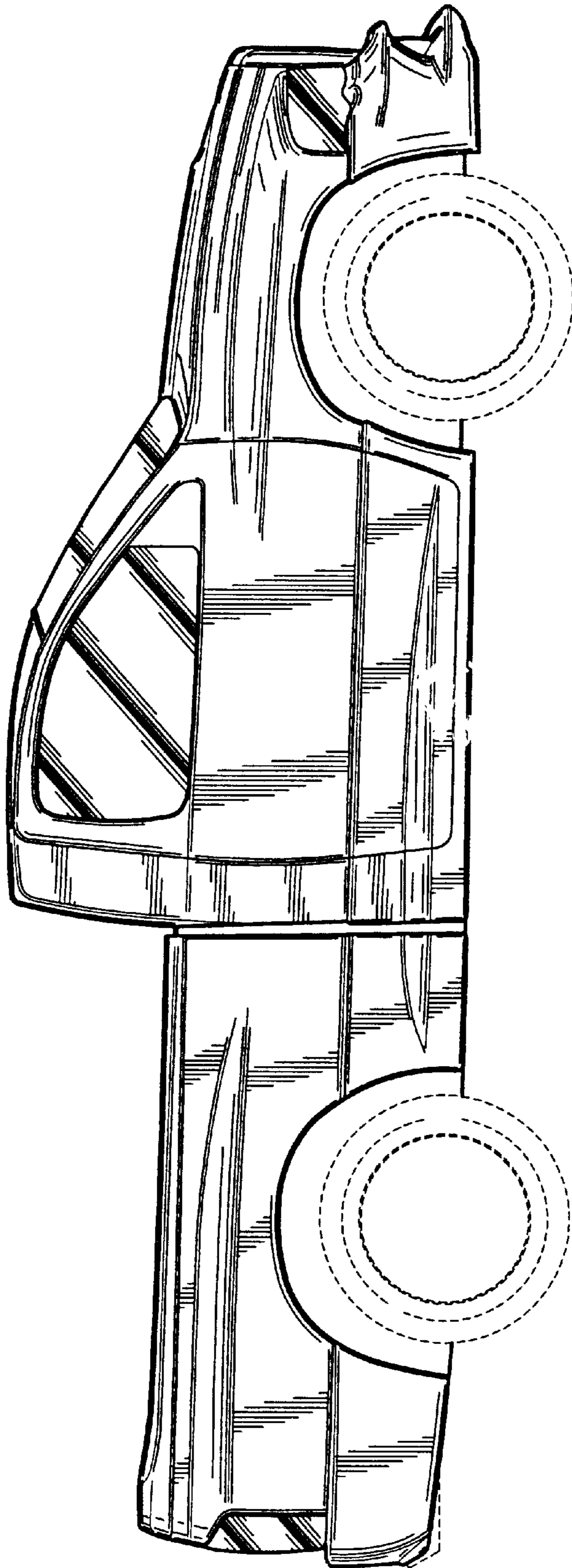


Figure - 2

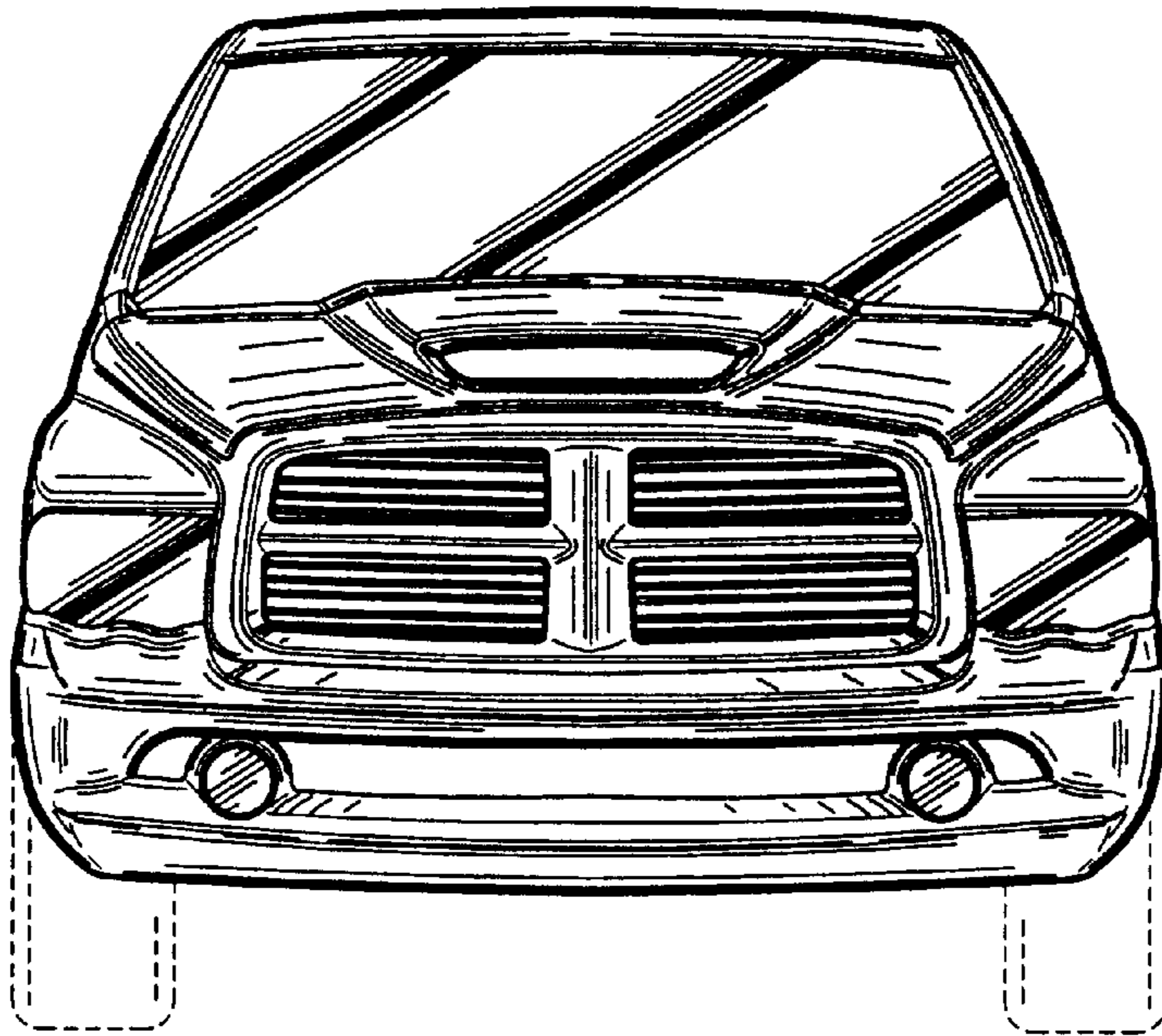


Figure - 3

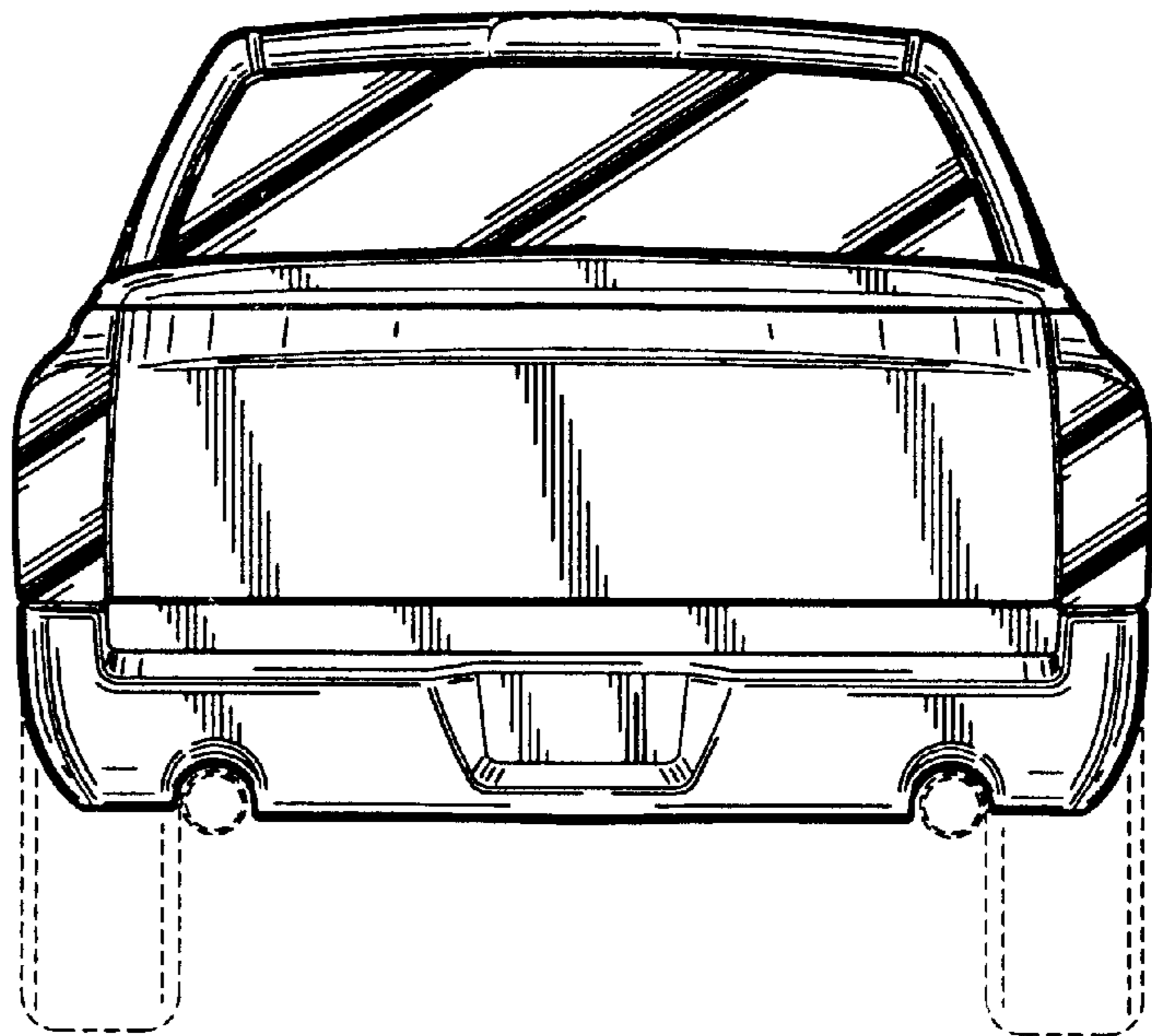


Figure - 4

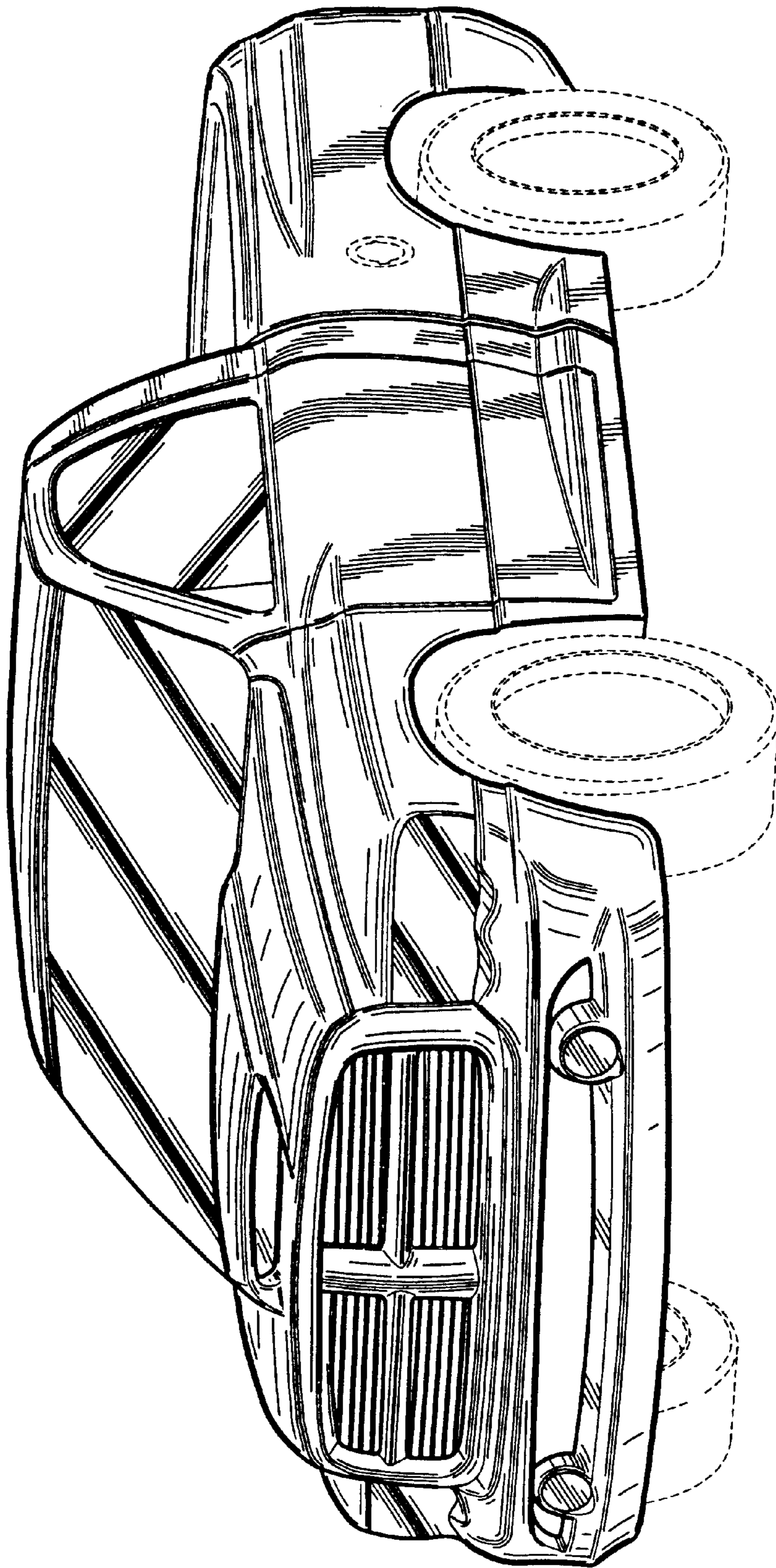


Figure - 5

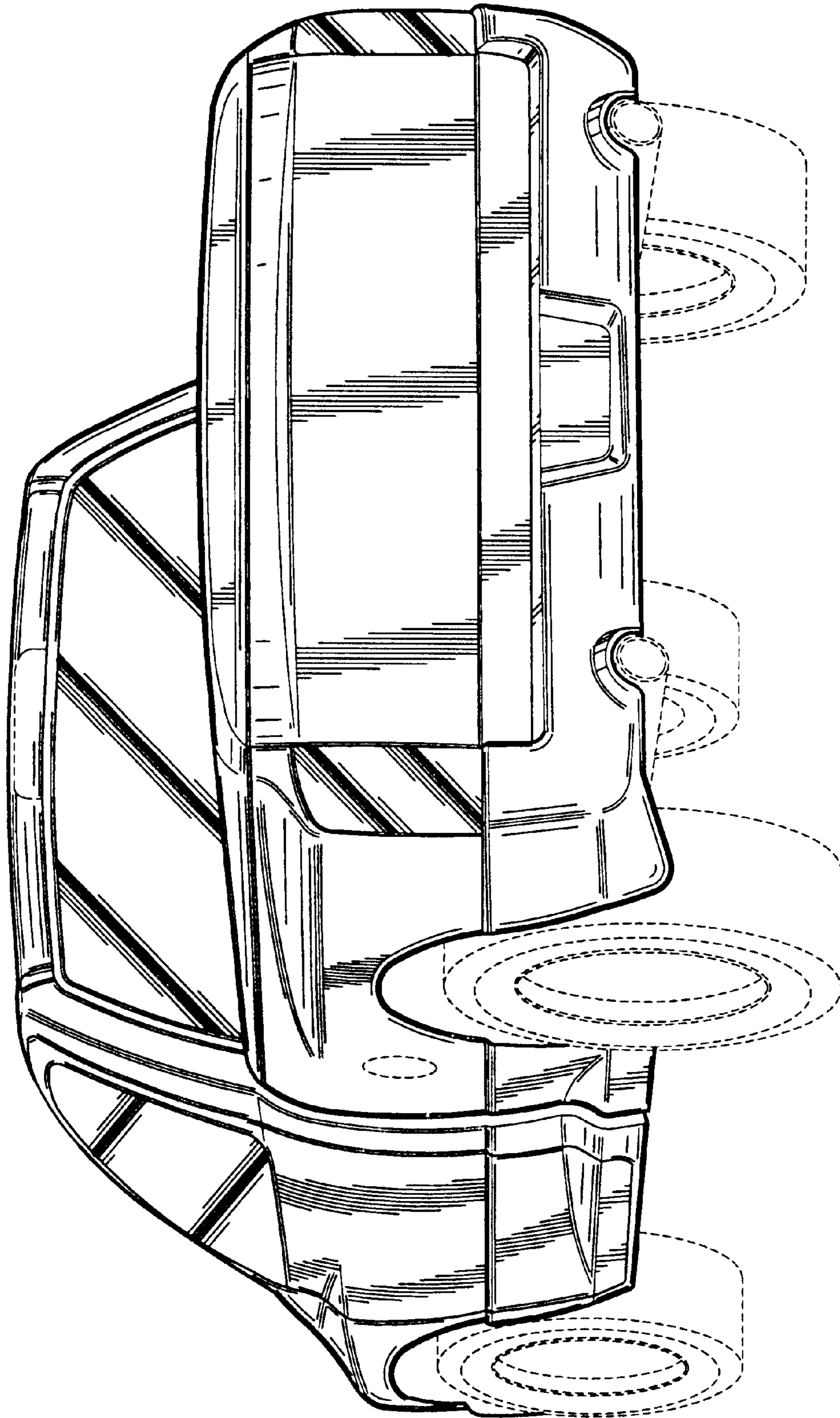


Figure - 6