



US00D466450S

(12) **United States Design Patent**
Maheer et al.

(10) **Patent No.:** **US D466,450 S**

(45) **Date of Patent:** **** Dec. 3, 2002**

(54) **CAB AND HOOD ASSEMBLY OF A TRUCK VEHICLE**

(75) **Inventors:** **David Lawrence Maheer**, Fort Wayne, IN (US); **Kris Kent Timmermann**, Hometown, IN (US); **Robert McKee Zimmerman**, Kendallville, IN (US); **Larry Reynard**, Fort Wayne, IN (US); **Marcey Kristine Collins**, Fort Wayne, IN (US)

(73) **Assignee:** **International Truck Intellectual Property Company, L.L.C.**, Warrenville, IL (US)

(**) **Term:** **14 Years**

(21) **Appl. No.:** **29/146,378**

(22) **Filed:** **Aug. 8, 2001**

(51) **LOC (7) Cl.** **12-16**

(52) **U.S. Cl.** **D12/96; D12/173**

(58) **Field of Search** **D12/96, 93, 97, D12/173; 296/180.1, 180.2, 190; 180/89.12, 89.14, 89.16, 69.1, 69.2**

(56) **References Cited**

U.S. PATENT DOCUMENTS

D306,421 S	3/1990	Allendorph et al.
D306,714 S	3/1990	Allendorph
D307,126 S	4/1990	Allendorph et al.
D328,273 S	7/1992	McGrew, Jr. et al.

D335,272 S	5/1993	Allendorph et al.	
D391,908 S	3/1998	Allendorph et al.	
D394,624 S	5/1998	Allendorph et al.	
D401,198 S	11/1998	Mueller et al.	
D403,285 S	12/1998	Abalos et al.	
D403,620 S	1/1999	Abalos et al.	
D403,637 S	1/1999	Abalos et al.	
D435,816 S	1/2001	Delashaw et al.	
D436,363 S	1/2001	Strong et al.	
D437,574 S	2/2001	Beigel	
D444,737 S	* 7/2001	Allendorph et al. D12/96
D445,361 S	* 7/2001	Tirey et al. D12/96
D445,384 S	7/2001	Tirey et al.	
D458,197 S	* 6/2002	Maheer et al. D12/173

* cited by examiner

Primary Examiner—Melody N. Brown

(74) *Attorney, Agent, or Firm*—Jeffrey P. Calfa; Neil T. Powell; Dennis Kelly Sullivan

(57) **CLAIM**

The ornamental design for a cab and hood assembly of a truck vehicle, as shown and described.

DESCRIPTION

FIG. 1 is a left, front perspective view of cab and hood assembly of a truck vehicle showing our new design; FIG. 2 is a top plan view thereof; FIG. 3 is a rear view thereof; FIG. 4 is a front view thereof; FIG. 5 is a left side view thereof; and, FIG. 6 is a right side view thereof.

1 Claim, 3 Drawing Sheets

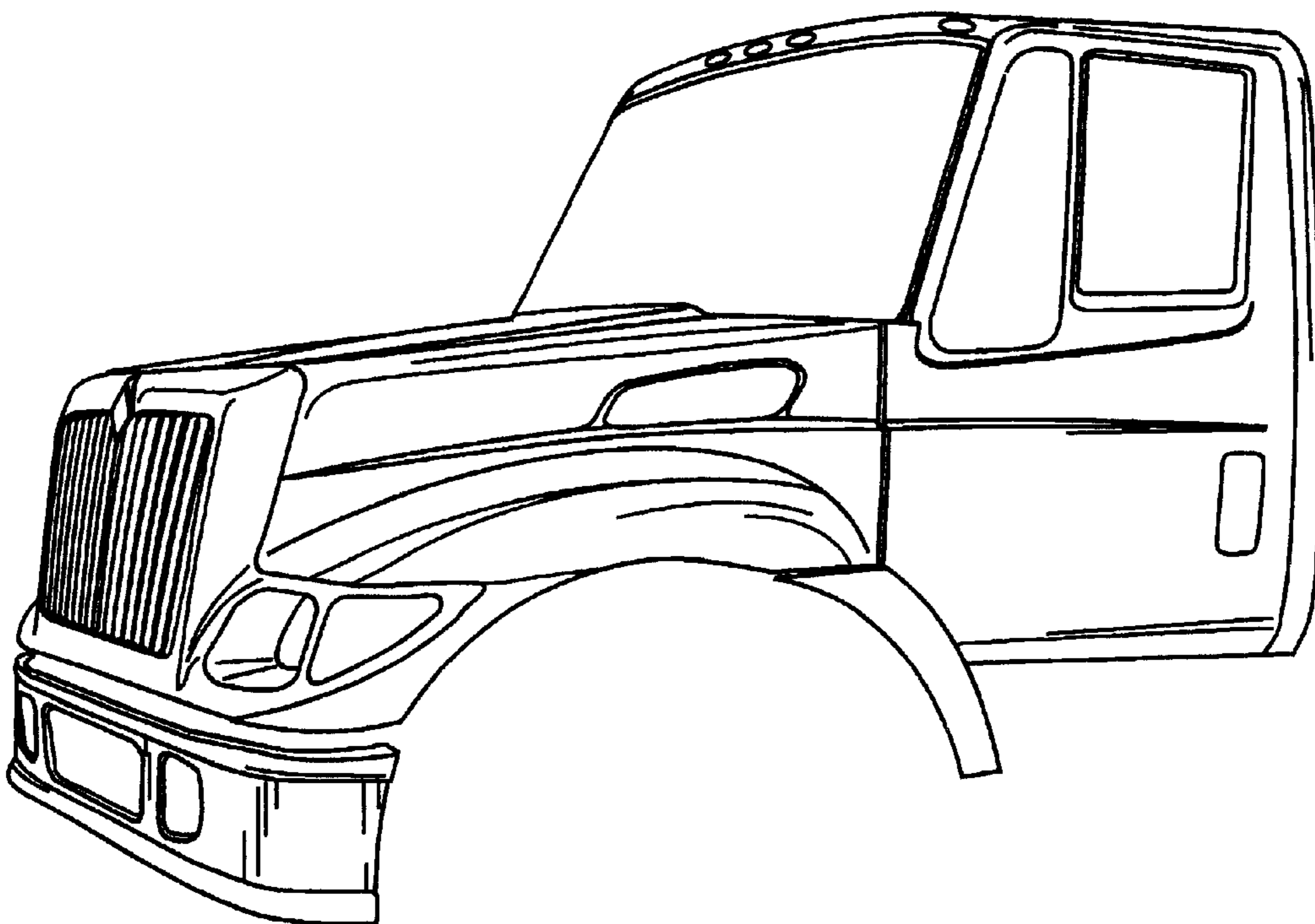


Fig. 1

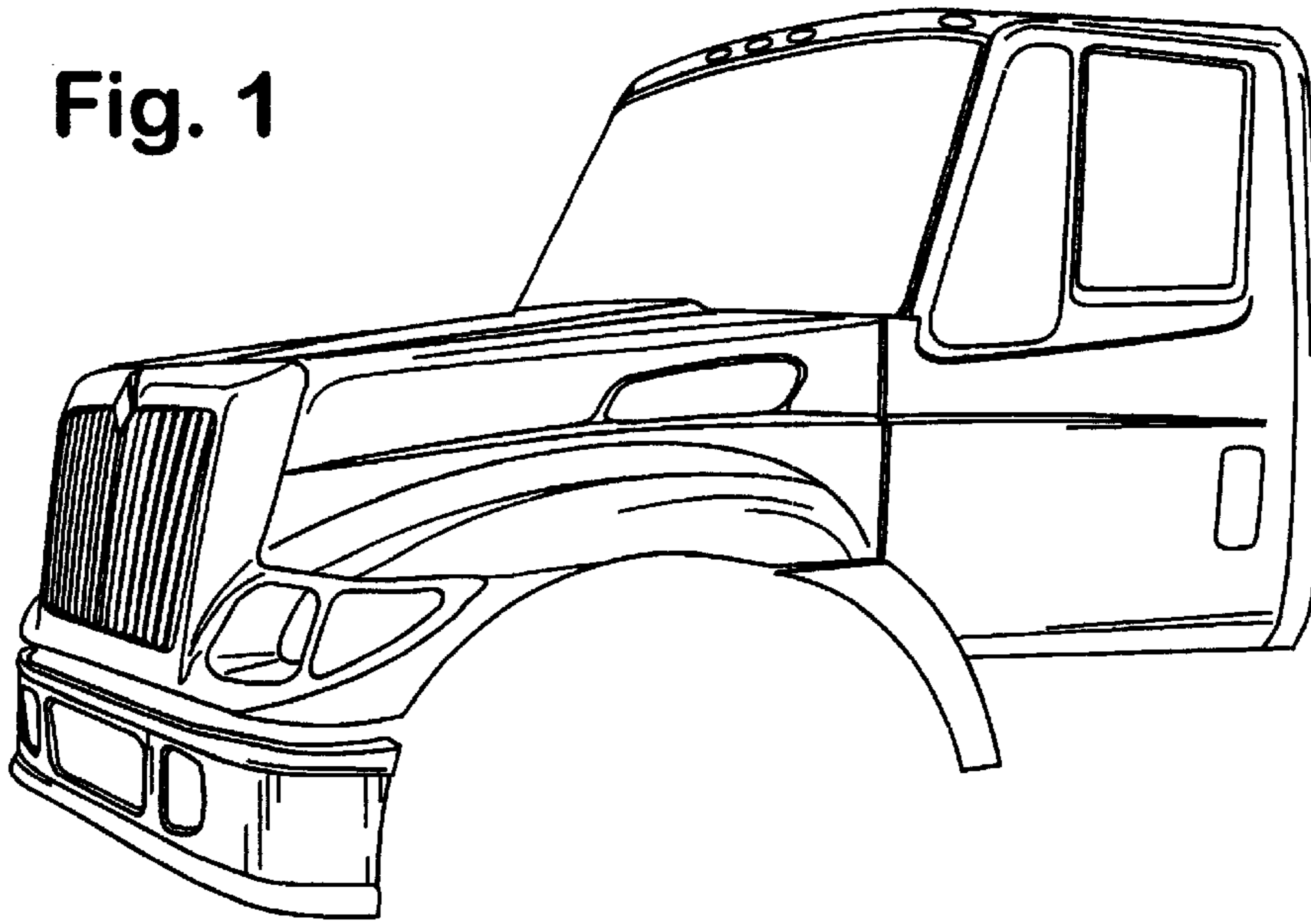
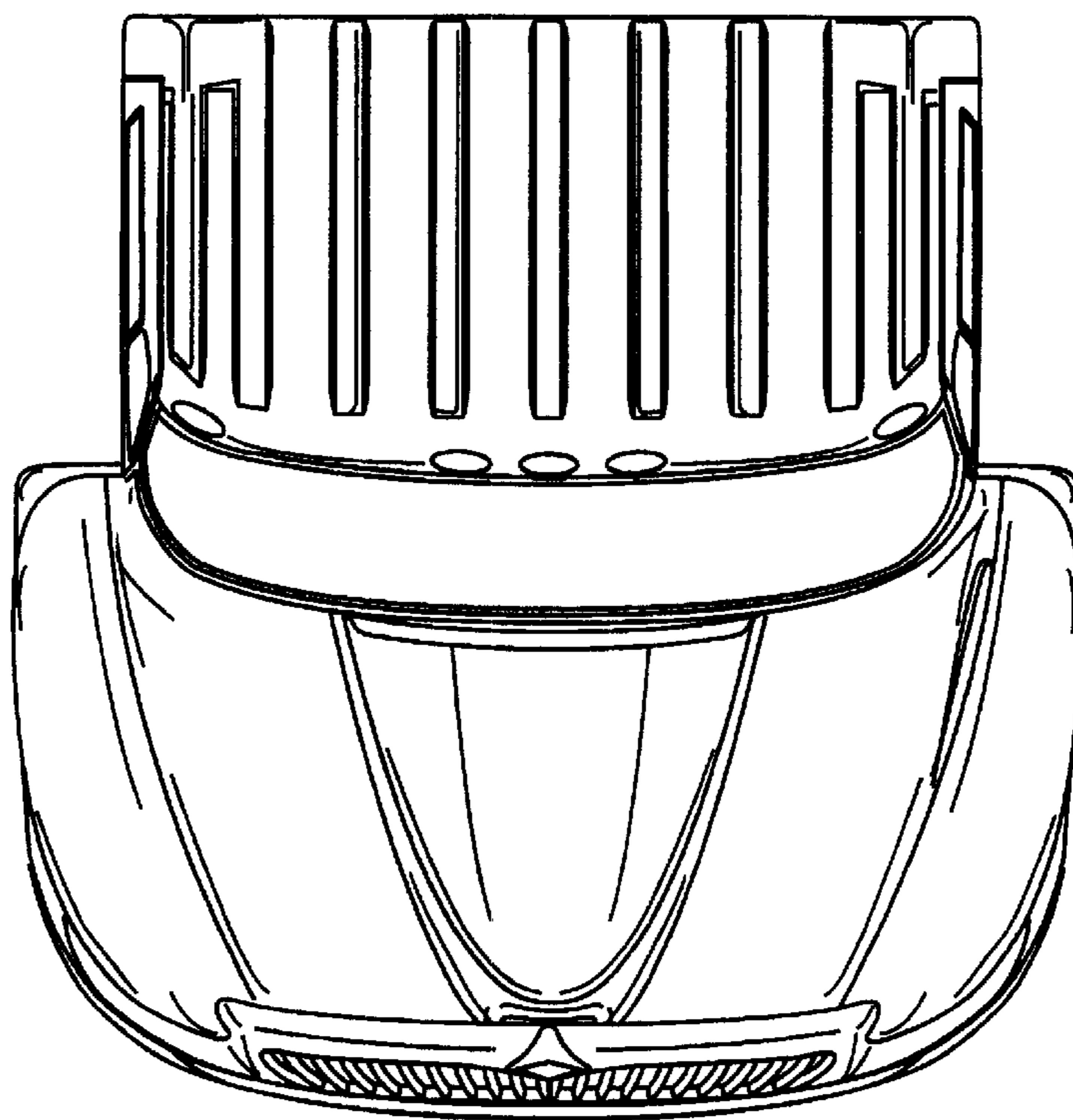


Fig. 2



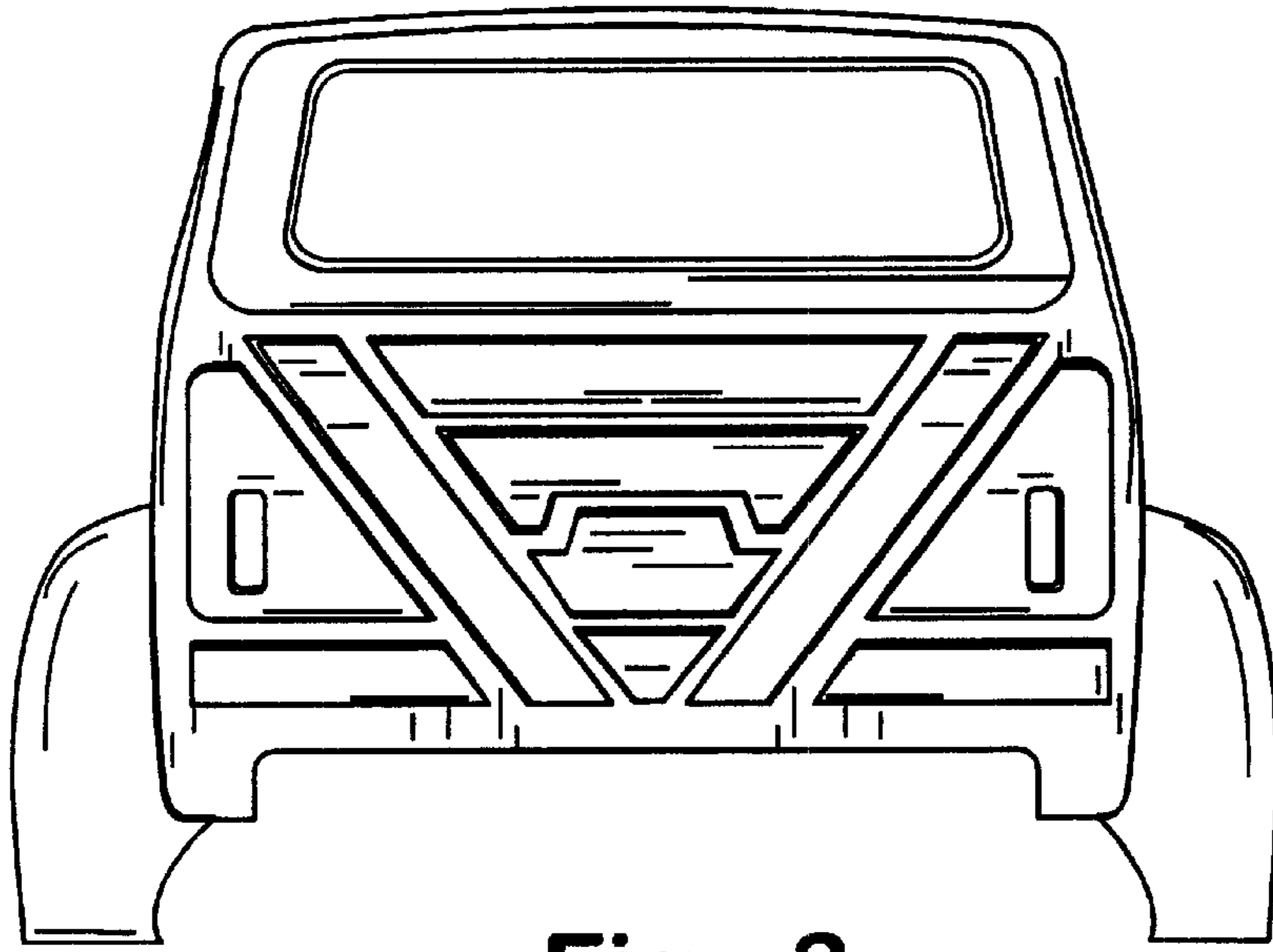


Fig. 3

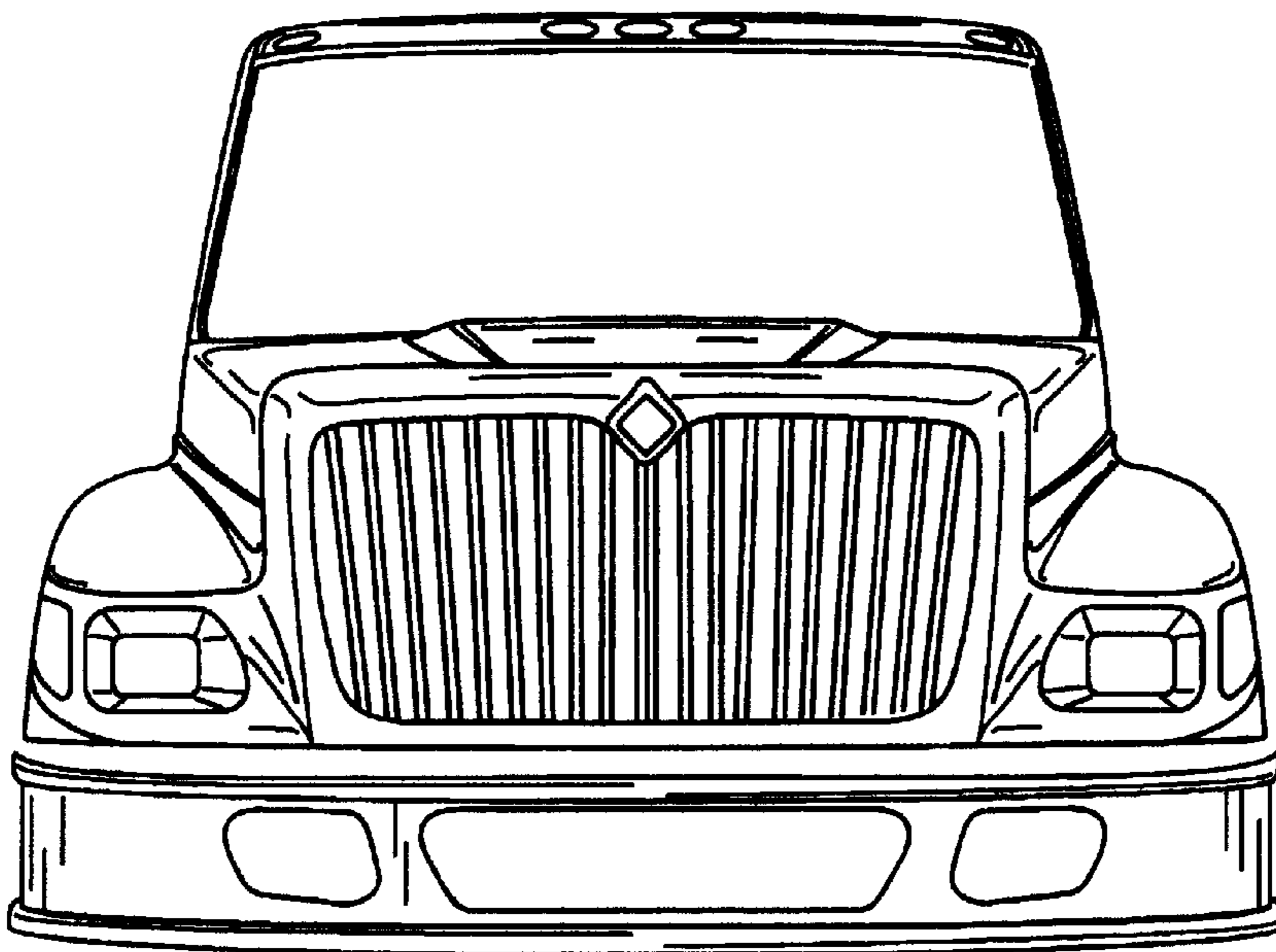


Fig. 4

FIG. 6

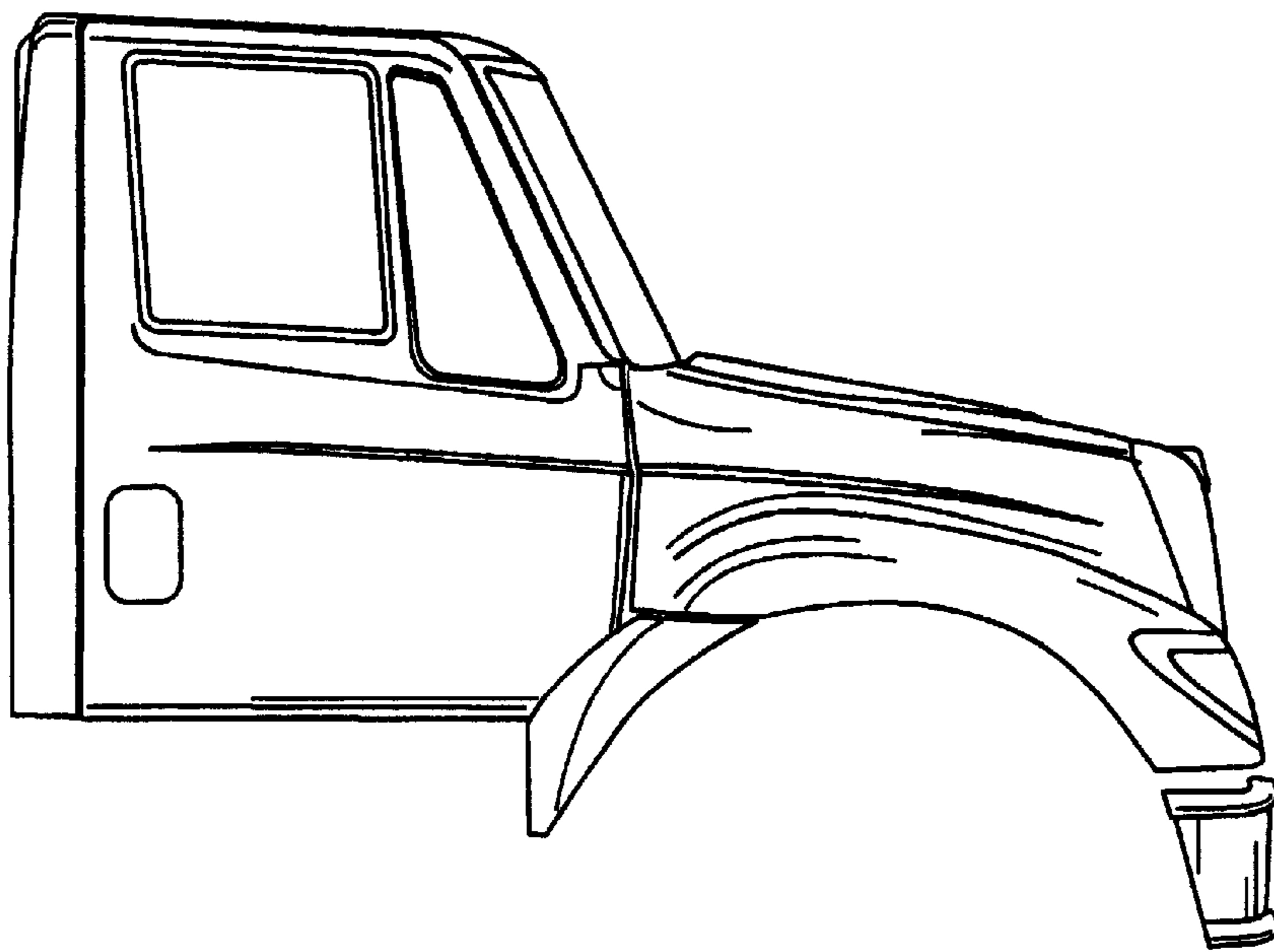
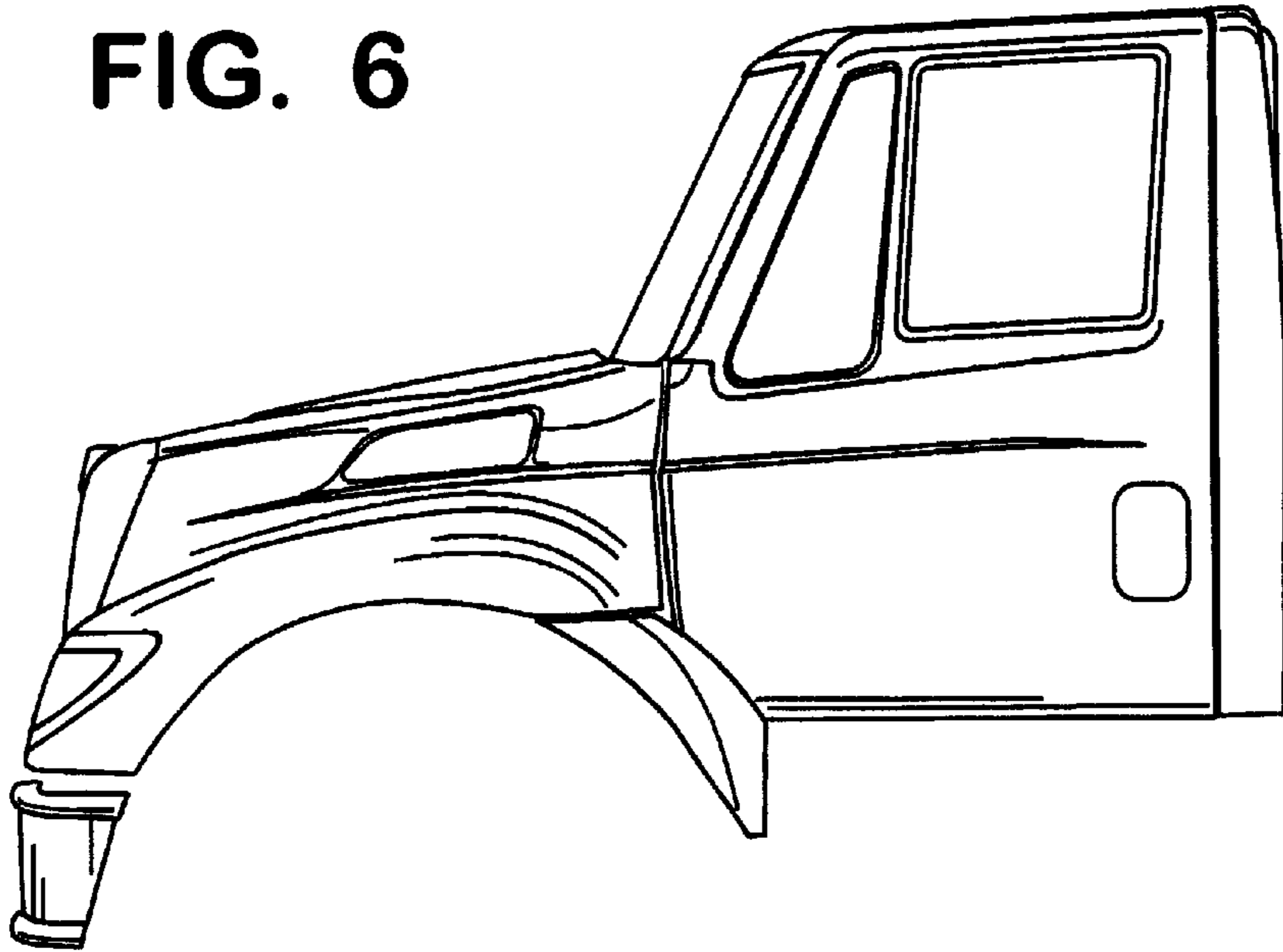


FIG. 5